



(12) **United States Design Patent**  
**Zhou**

(10) **Patent No.:** **US D980,990 S**  
(45) **Date of Patent:** **\*\* Mar. 14, 2023**

- (54) **FINGER STRETCHER**
- (71) Applicant: **Shenzhen Kunshengze Electronic Commerce Co., Ltd., Guangdong (CN)**
- (72) Inventor: **YuLin Zhou, Guangdong (CN)**
- (73) Assignee: **Shenzhen Kunshengze Electronic Commerce Co., Ltd., Shenzhen (CN)**
- (\*\*) Term: **15 Years**
- (21) Appl. No.: **29/814,406**
- (22) Filed: **Nov. 5, 2021**
- (51) **LOC (14) Cl.** ..... **24-02**
- (52) **U.S. Cl.**  
USPC ..... **D24/190**
- (58) **Field of Classification Search**  
USPC ..... D24/171, 188–192, 199, 200, 206,  
D24/212–215; D21/662, 671, 673, 679,  
D21/686–688; D29/100  
CPC ..... A63B 22/16; A63B 23/0355; A63B  
23/23525; A63B 23/0352; A63B 23/0004;  
A63B 21/02; A63B 21/4037; A63B  
21/0442; A63B 21/0557; A63B 21/4011;  
A63B 21/0414; A63B 23/0405; A63B  
23/1245; A63B 23/1281; A63B 23/03508;  
A61F 5/013; A61H 1/0288  
See application file for complete search history.

- (56) **References Cited**  
**U.S. PATENT DOCUMENTS**  
486,546 A \* 11/1892 Guillard et al. .... A61H 1/0288  
601/40  
2,353,129 A \* 7/1944 De Mona ..... A61H 1/0288  
601/40  
3,944,220 A \* 3/1976 Fasano ..... A63B 21/0552  
482/47  
4,084,267 A \* 4/1978 Zadina ..... A61F 2/54  
623/24

- 4,368,728 A \* 1/1983 Pasbrig ..... A61H 1/0288  
601/40
- 4,719,906 A \* 1/1988 DeProspero ..... A61F 5/013  
602/21
- D294,176 S \* 2/1988 Tyo ..... D24/190
- 4,875,469 A \* 10/1989 Brook ..... A61H 1/0288  
601/40
- 4,977,890 A \* 12/1990 Mann ..... A61F 5/05866  
D24/190
- D333,520 S \* 2/1993 Mann ..... A63B 21/0552  
D24/190
- 5,373,585 A \* 12/1994 Wiggins ..... A63B 21/4019  
2/163
- 5,447,490 A \* 9/1995 Fula ..... A63B 21/0004  
601/40
- 5,538,488 A \* 7/1996 Villepigue ..... A63B 21/0004  
601/40

(Continued)

**OTHER PUBLICATIONS**

Hand grip strengthener, [site visited Sep. 30, 2022]. Available from Internet. URL :<https://www.amazon.com/Hand-Grip-Strengthener-Adjustable-Exerciser/dp/B09MNPL377> (Year: 2021).\*

*Primary Examiner* — T Chase Nelson  
*Assistant Examiner* — Kelly L Gross

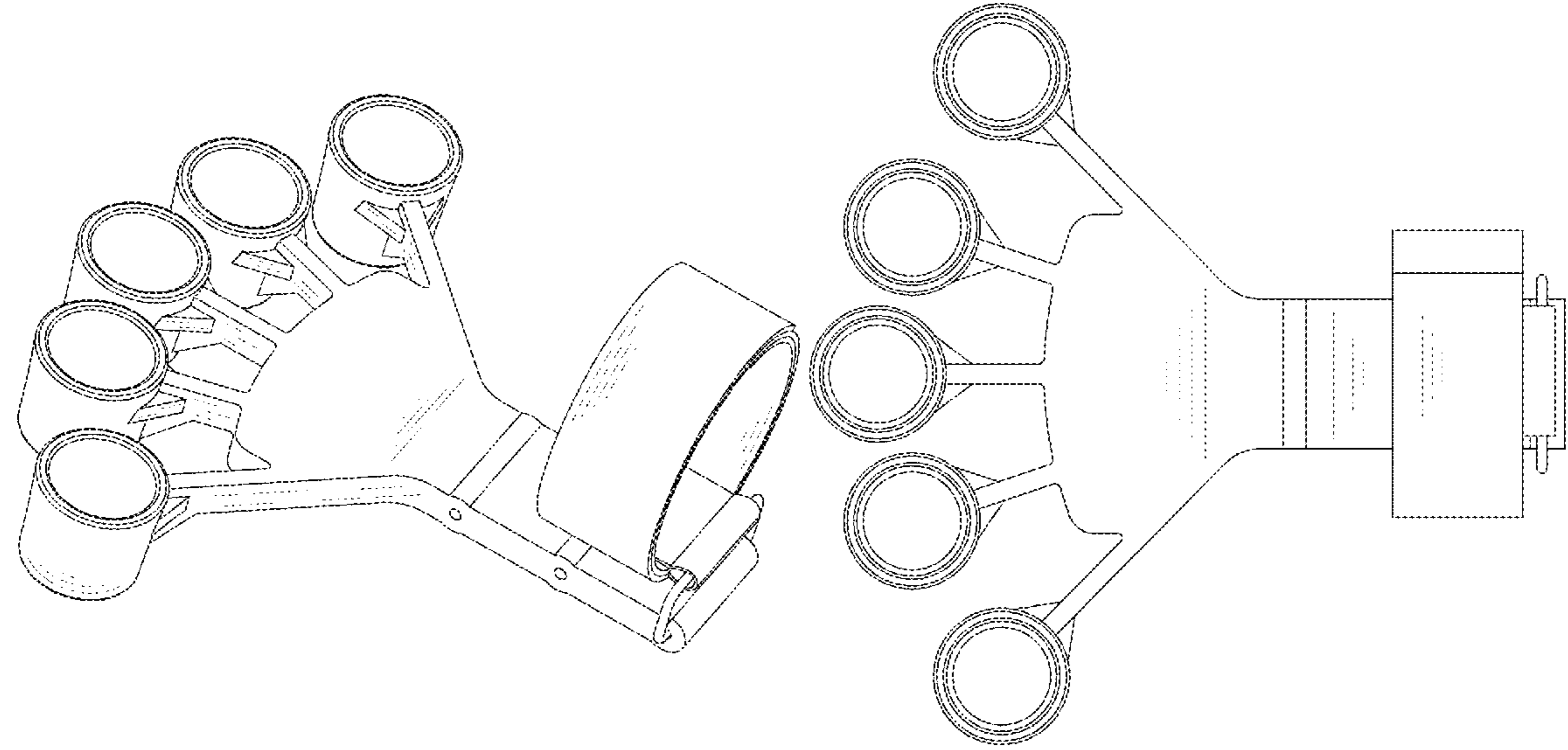
(57) **CLAIM**

The ornamental design for a finger stretcher, as shown and described.

**DESCRIPTION**

FIG. 1 is a perspective view of a finger stretcher showing my new design;  
FIG. 2 is a front view thereof;  
FIG. 3 is a back view thereof;  
FIG. 4 is a left side view thereof;  
FIG. 5 is a right side view thereof;  
FIG. 6 is a top plan view thereof; and,  
FIG. 7 is a bottom plan view thereof.

**1 Claim, 7 Drawing Sheets**



# US D980,990 S

Page 2

(56)

## References Cited

### U.S. PATENT DOCUMENTS

5,820,577	A *	10/1998	Taylor	.....	A63B 21/4025	601/40
5,876,311	A *	3/1999	Coates	.....	A63B 21/023	297/274
6,001,049	A *	12/1999	Frey	.....	A63B 21/065	482/93
6,093,162	A *	7/2000	Fairleigh	.....	A61F 5/013	602/5
6,502,577	B1 *	1/2003	Bonutti	.....	A61F 5/05875	602/22
D657,095	S	4/2012	Logan			
8,491,447	B1 *	7/2013	Koranic	.....	A63B 23/16	482/44
8,998,833	B1 *	4/2015	AlSaffar	.....	A61F 5/013	602/20
D794,808	S *	8/2017	Sorbel	.....	A61H 1/0288	D24/190
D800,235	S	10/2017	Huang			
D858,661	S *	9/2019	Wang	.....	D21/684	
D883,499	S *	5/2020	Park	.....	B25J 9/0006	D24/190
10,646,749	B1 *	5/2020	Williams	.....	A63B 23/16	
D888,259	S *	6/2020	Park	.....	B25J 9/0006	D24/190
D942,023	S *	1/2022	Park	.....	A63B 21/4039	D24/188
D944,399	S *	2/2022	Han	.....	D24/155	
2003/0073939	A1 *	4/2003	Taylor	.....	A61H 1/0288	601/40
2003/0195093	A1 *	10/2003	White	.....	A63B 21/4019	482/124
2009/0240184	A1 *	9/2009	Tadman	.....	A61F 5/013	602/22
2012/0059291	A1 *	3/2012	Nguyen	.....	A61H 1/0288	601/40
2013/0035771	A1 *	2/2013	Pedersen	.....	A61F 5/013	623/65
2013/0226350	A1 *	8/2013	Bergelin	.....	A61H 1/0288	2/160
2013/0303336	A1 *	11/2013	Goldberg	.....	A63B 21/0004	482/121
2013/0316877	A1 *	11/2013	Scire	.....	A63B 21/4039	482/47
2013/0338556	A1 *	12/2013	Hoffman	.....	A63B 21/0421	602/22
2015/0374575	A1 *	12/2015	Kamper	.....	A61F 5/013	601/40
2017/0079825	A1 *	3/2017	Plecnik	.....	A61F 5/013	
2017/0168565	A1 *	6/2017	Cohen	.....	A61B 5/0022	
2018/0296419	A1 *	10/2018	Tong	.....	B25J 9/0006	
2019/0091091	A1 *	3/2019	Park	.....	A61H 1/0288	
2020/0069504	A1 *	3/2020	Xue	.....	B25J 9/0006	
2020/0129362	A1 *	4/2020	Ou	.....	A61H 1/0288	
2021/0045956	A1 *	2/2021	Wang	.....	A61H 1/0288	
2021/0196554	A1 *	7/2021	Ewaldsson	.....	A61F 5/013	

\* cited by examiner

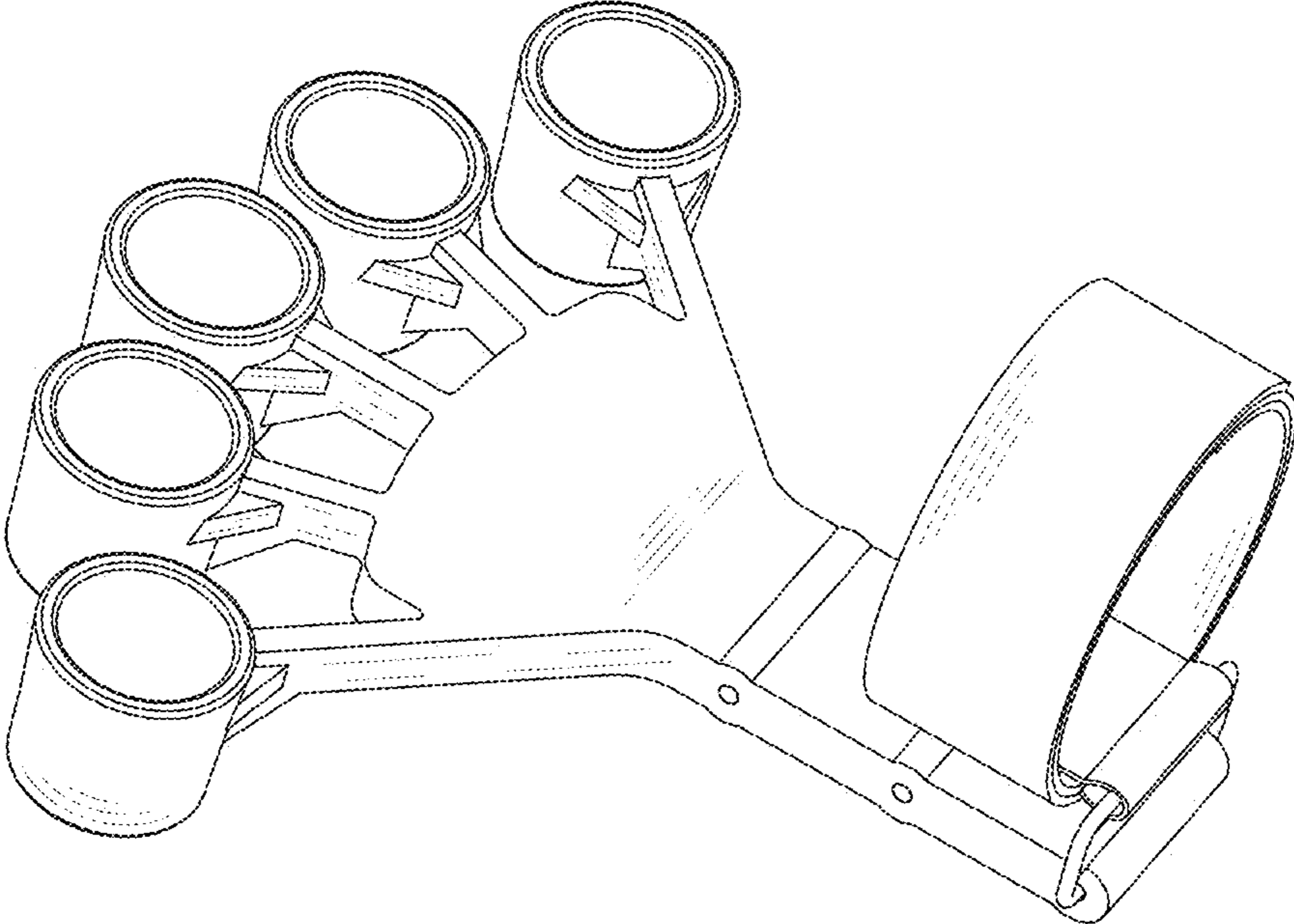


FIG. 1

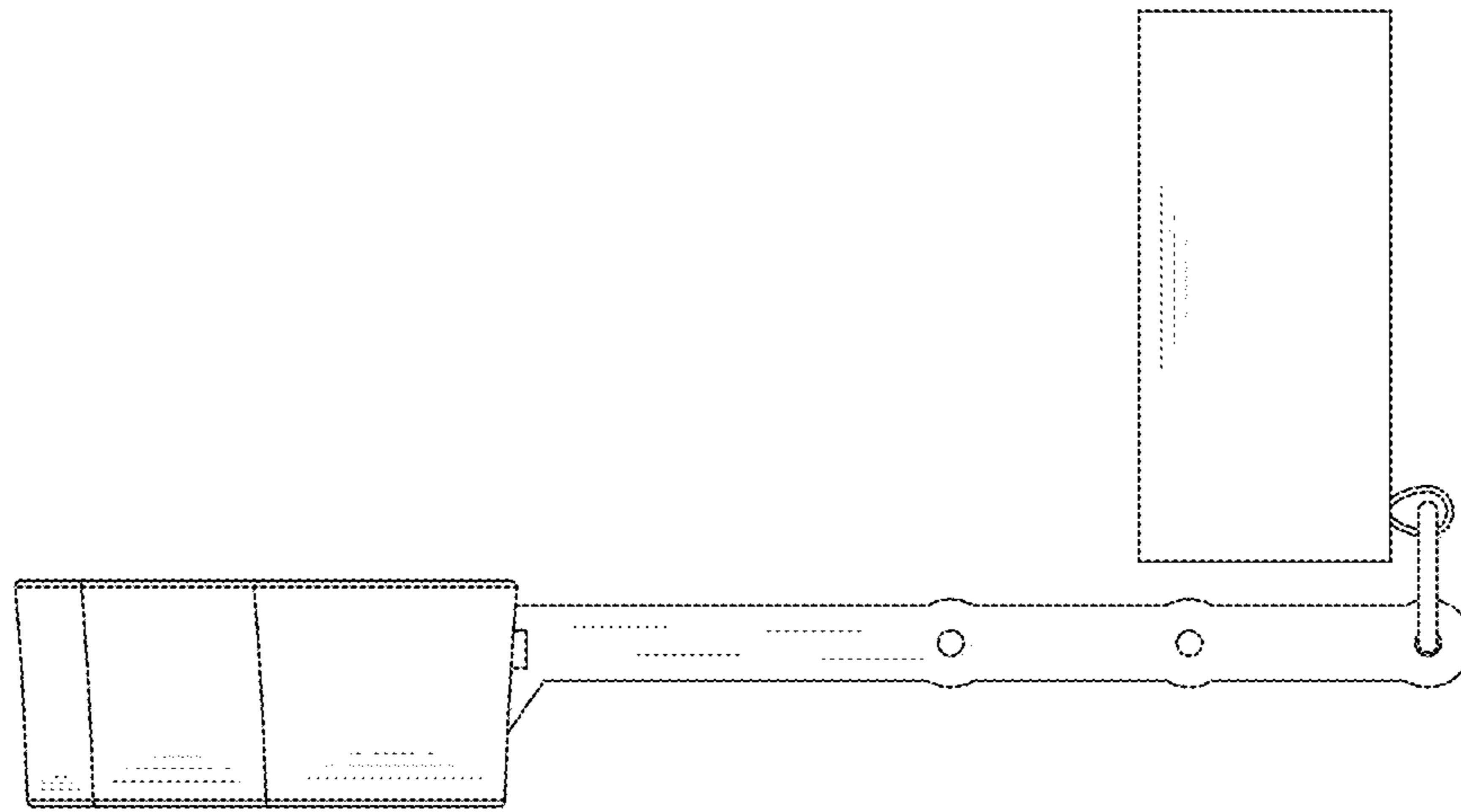


FIG. 2

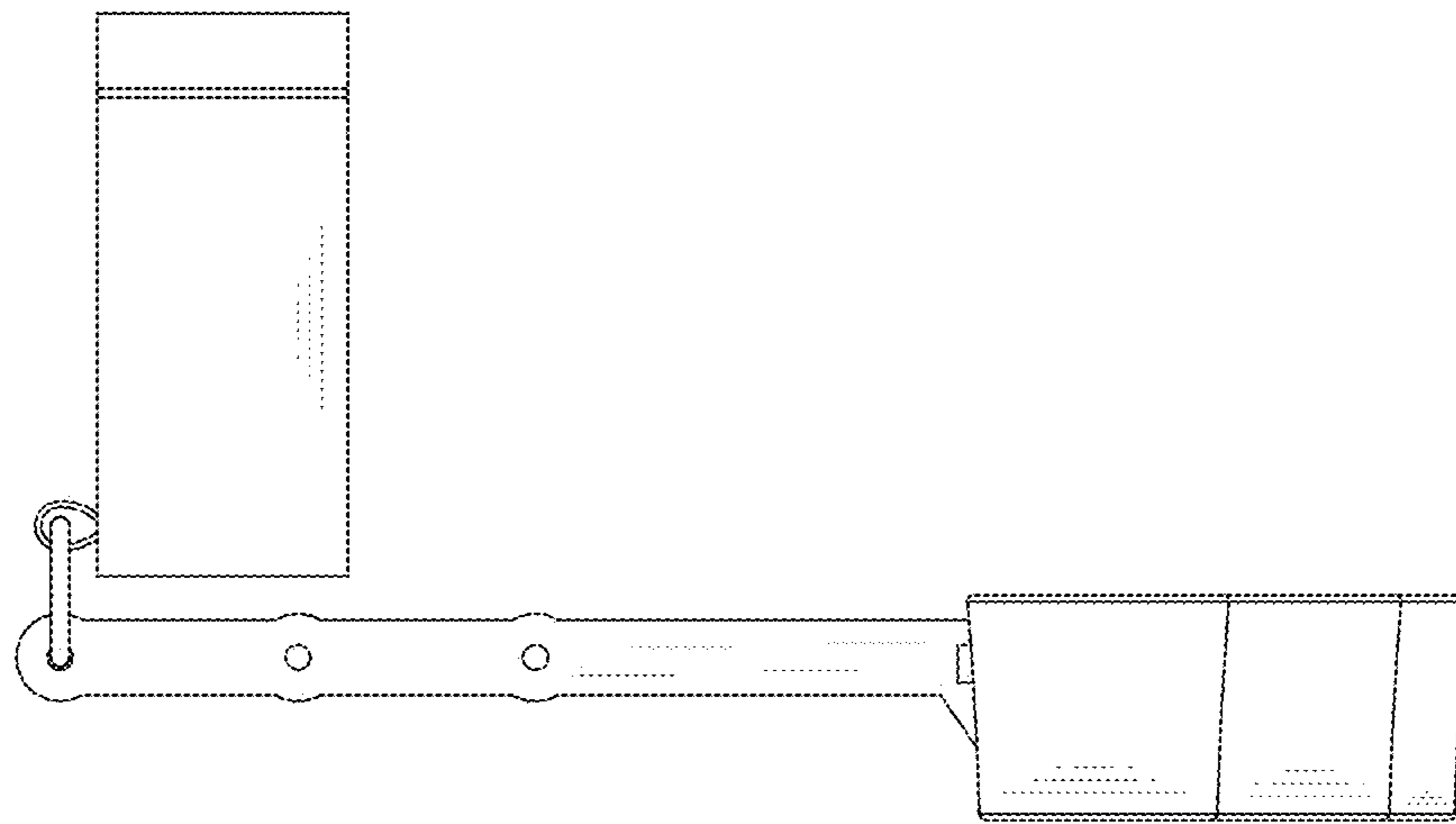


FIG. 3

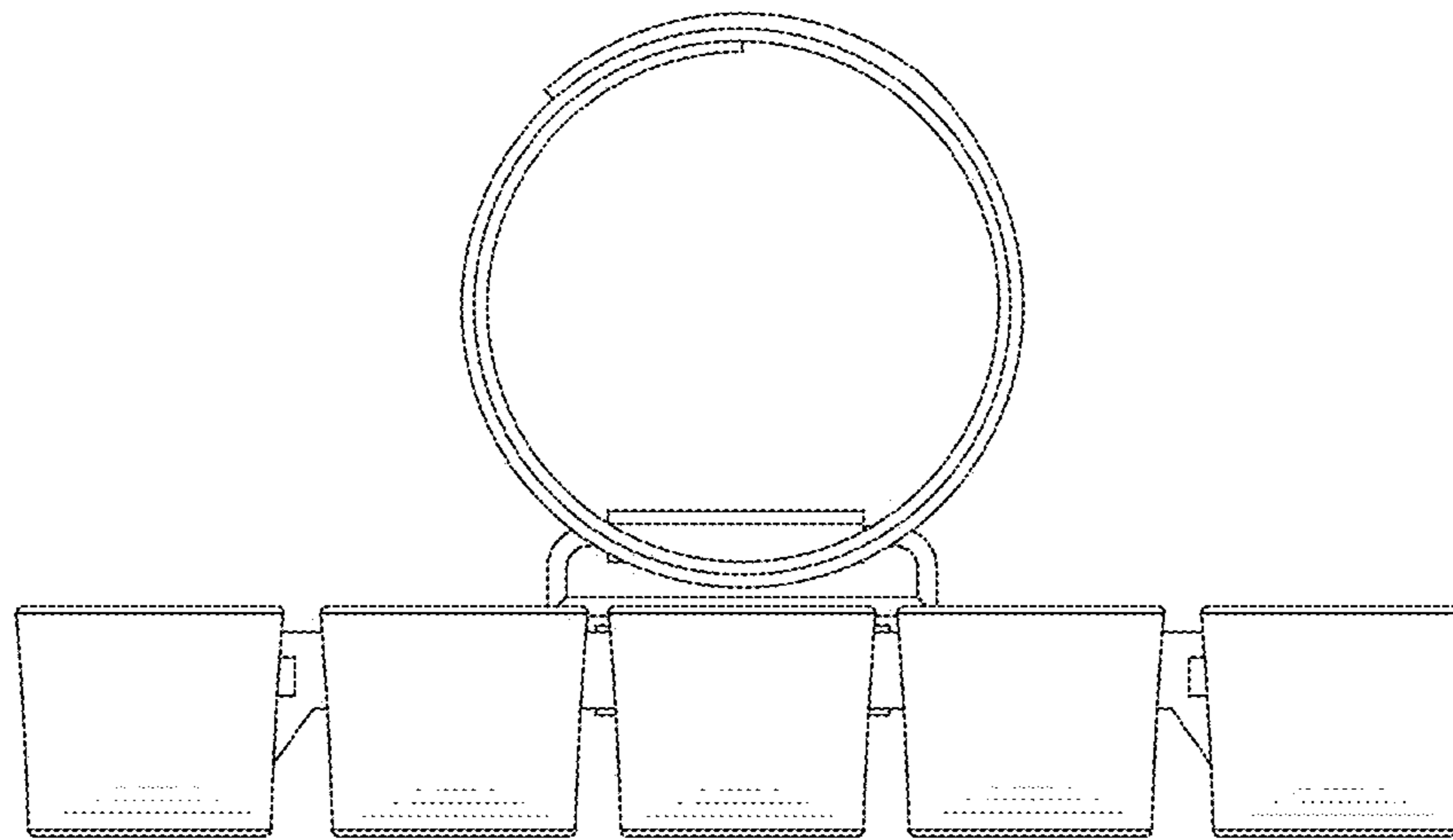


FIG. 4

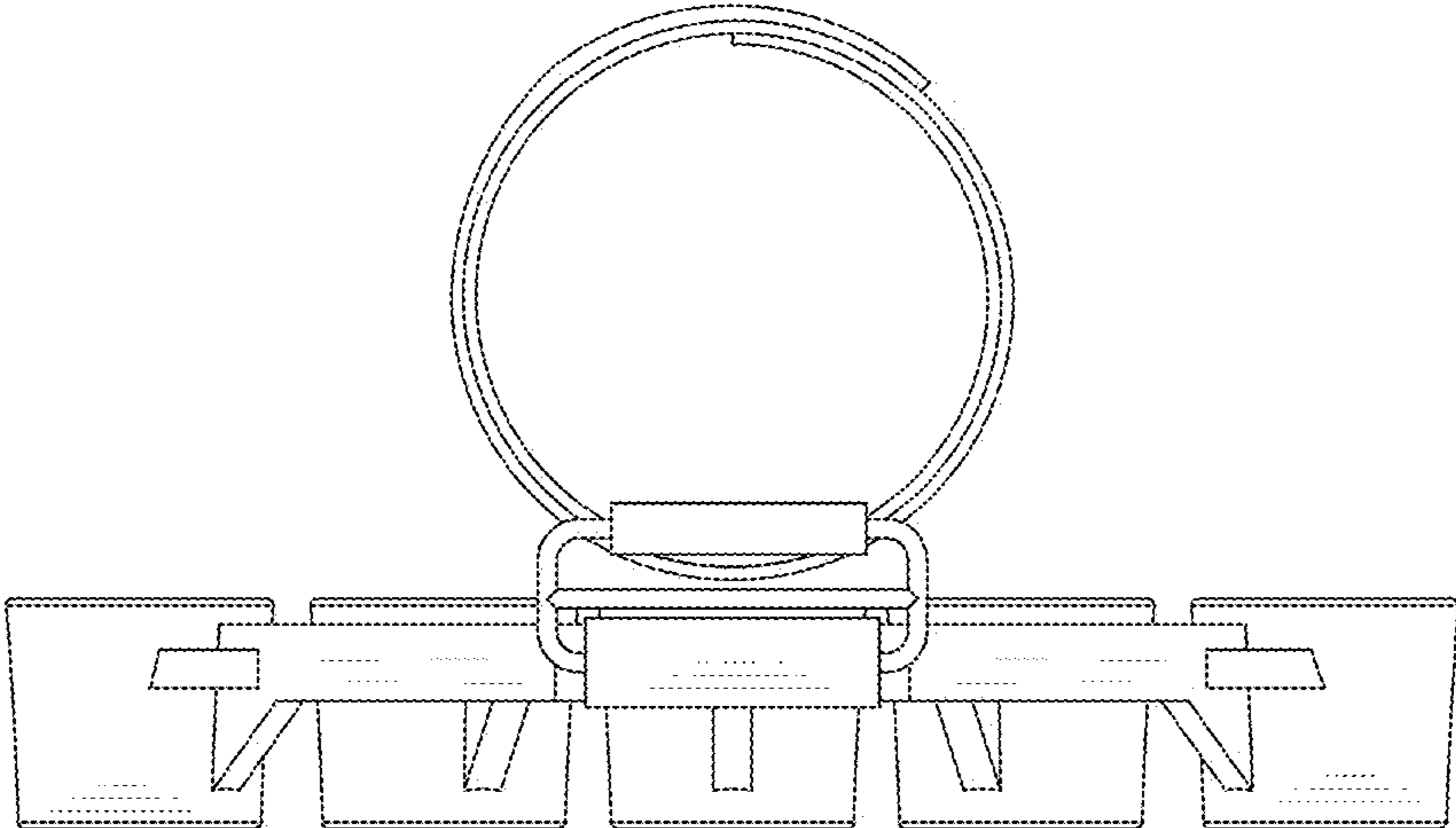


FIG. 5

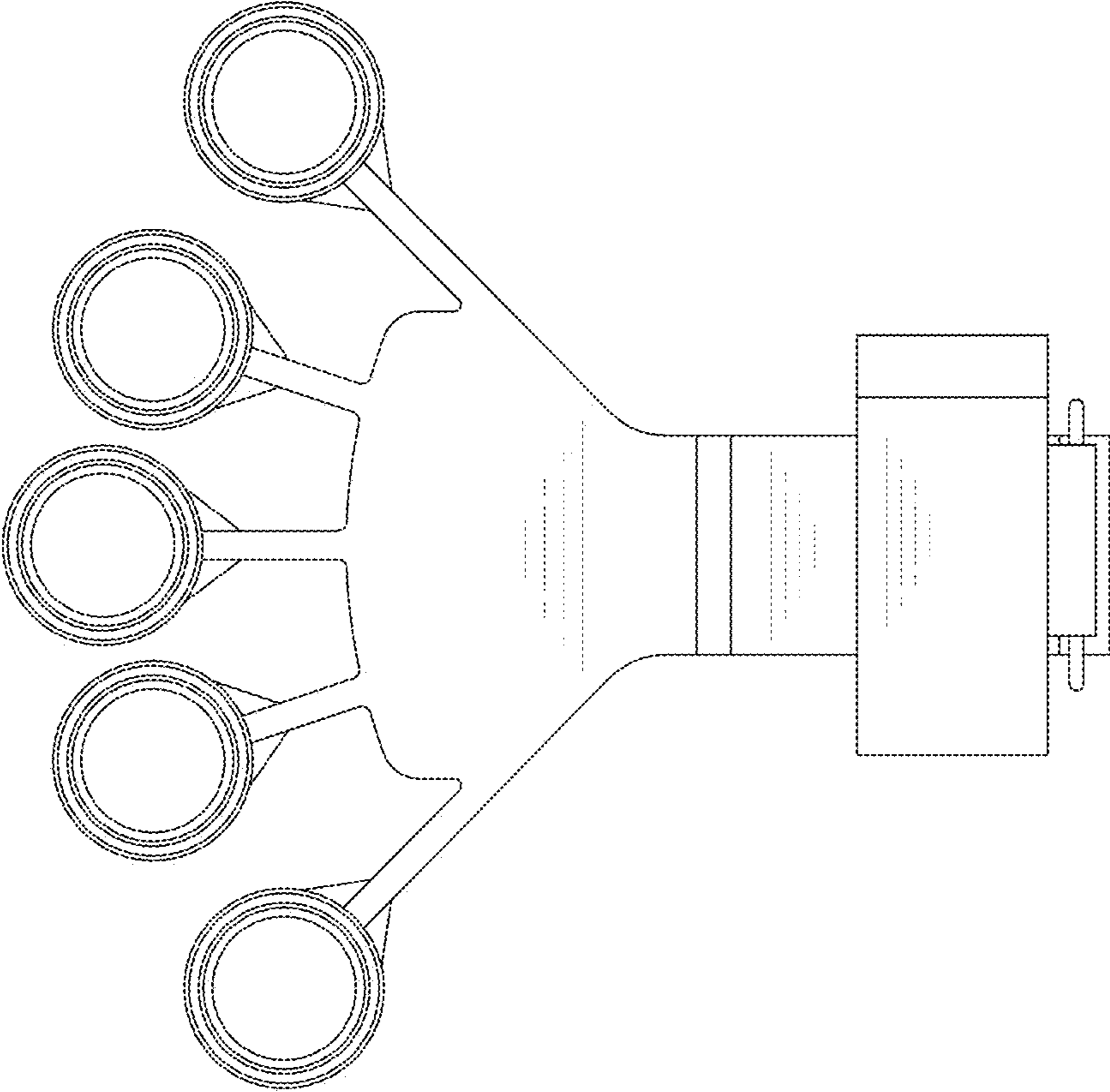


FIG. 6



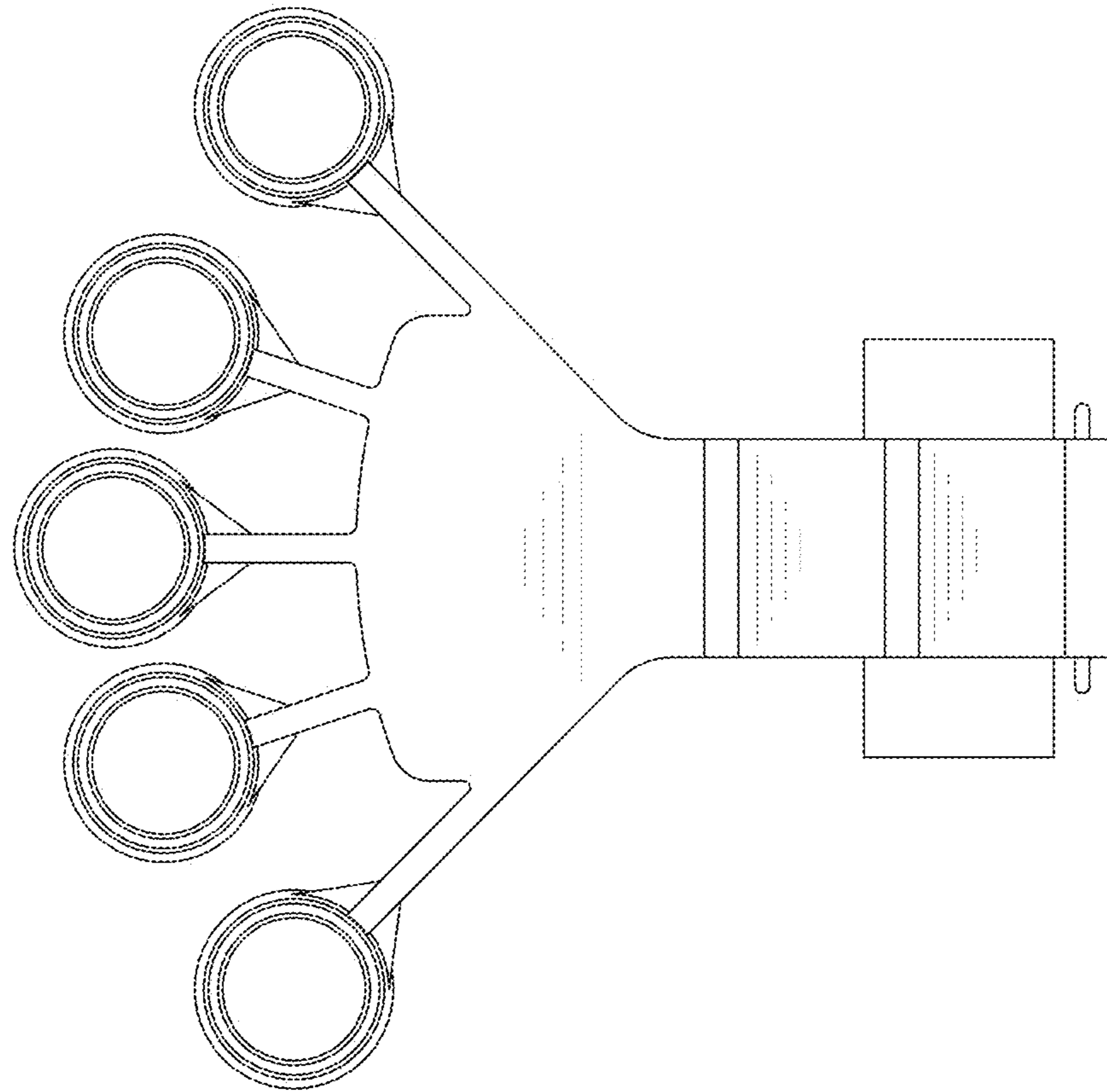


FIG. 7