



US00D980988S

(12) **United States Design Patent** (10) **Patent No.:** **US D980,988 S**  
**Shemesh et al.** (45) **Date of Patent:** **\*\* Mar. 14, 2023**

(54) **MEDICAL WATCH**  
(71) Applicant: **CardiacSense Ltd.**, Caesarea (IL)  
(72) Inventors: **Eldad Shemesh**, Binyamina (IL); **Boris Spektor**, Haifa (IL); **Andres Wainstein**, Ramat Gan (IL); **Gustavo Marcelo Turkieltuab**, Herzliya (IL)  
(73) Assignee: **CARDIACSENSE LTD.**, Caesarea (IL)  
(\*\*) Term: **15 Years**  
(21) Appl. No.: **35/511,811**  
(22) Filed: **Mar. 16, 2021**  
(80) **Hague Agreement Data**  
Int. Filing Date: **Mar. 16, 2021**  
Int. Reg. No.: **DM/213988**  
Int. Reg. Date: **Mar. 16, 2021**  
Int. Reg. Pub. Date: **May 7, 2021**

(51) **LOC (14) Cl.** ..... **24-02**  
(52) **U.S. Cl.**  
USPC ..... **D24/187**  
CPC ..... **A61B 5/0006** (2013.01)  
(58) **Field of Classification Search**  
USPC ..... D24/133, 134, 135, 136, 140, 167, 168, D24/187, 189  
CPC ..... A61B 5/0006; A61B 5/333; A61B 5/259; A61B 5/318; A61B 5/6833; A61B 5/0022; A61B 2560/0412; A61B 5/743  
See application file for complete search history.

(56) **References Cited**  
U.S. PATENT DOCUMENTS  
D639,437 S \* 6/2011 Bishay ..... D24/167  
D664,456 S \* 7/2012 Trine ..... D10/70  
8,718,752 B2 \* 5/2014 Libbus ..... A61B 5/7275  
600/515  
8,823,490 B2 \* 9/2014 Libbus ..... A61B 5/282  
340/6.1  
D714,942 S \* 10/2014 Hwang ..... D24/167

D739,942 S \* 9/2015 Pernu ..... D24/167  
D753,525 S \* 4/2016 Treadwell ..... D10/106.6  
D764,060 S \* 8/2016 Singh ..... D24/167  
D838,370 S \* 1/2019 Bardy ..... D24/167  
D842,724 S \* 3/2019 Vandenbussche ..... D10/70  
D850,626 S \* 6/2019 Gardner ..... D24/186  
D854,168 S \* 7/2019 He ..... D24/187  
D864,767 S \* 10/2019 Vandenbussche ..... D10/70  
10,736,570 B2 \* 8/2020 Shemesh ..... A61B 5/02055  
D895,614 S \* 9/2020 Vandenbussche ..... D14/344  
D900,808 S \* 9/2020 Vandenbussche ..... D14/344  
D900,808 S \* 11/2020 Vandenbussche ..... D14/344  
10,849,513 B2 \* 12/2020 Shemesh ..... A61B 5/681  
D914,218 S \* 3/2021 Govari ..... D24/186  
D930,163 S \* 9/2021 Turkieltaub ..... D24/165  
D931,467 S \* 9/2021 Golda ..... D24/186  
D939,699 S \* 12/2021 Lam ..... D24/134  
D954,265 S \* 6/2022 Zhang ..... D24/167  
D954,569 S \* 6/2022 Rundberg ..... D10/53  
D957,639 S \* 7/2022 Vanderpool ..... A61B 17/32093  
D24/167

(Continued)

*Primary Examiner* — Richard E Chilcot  
(74) *Attorney, Agent, or Firm* — Cantor Colburn LLP

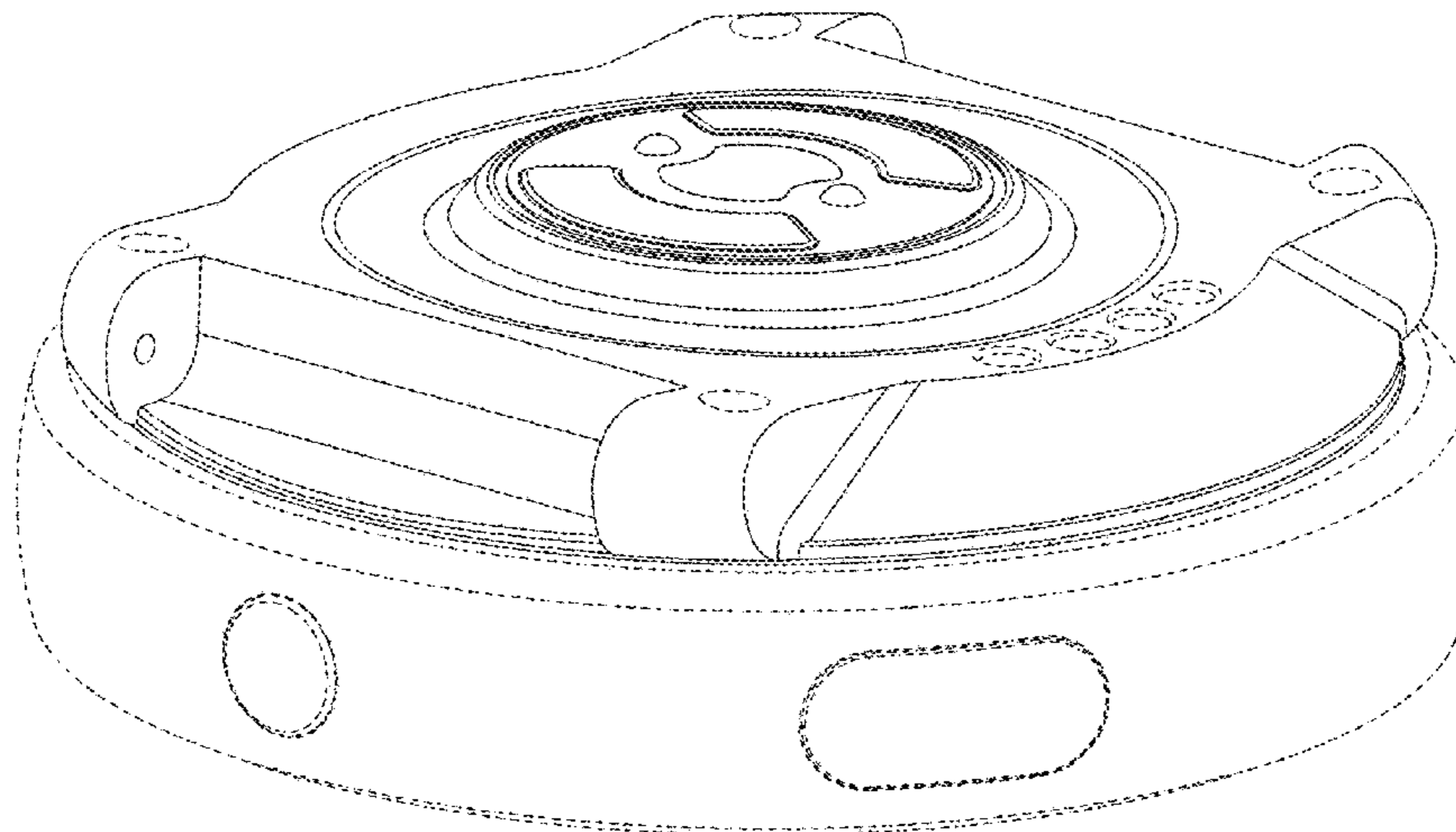
(57) **CLAIM**

The ornamental design for a medical watch, as shown and described.

**DESCRIPTION**

1.1. is a perspective, back, and side view of a medical watch showing the new design;  
1.2. is a perspective, back, and side view thereof;  
1.3. is a perspective, back view thereof;  
1.4. is a back view thereof;  
1.5. is a right view thereof;  
1.6. is a top view thereof;  
1.7. is a front view thereof;  
1.8. is a left view thereof; and  
1.9. is a bottom view thereof.  
Portions shown in broken lines illustrate environment and form no part of the claimed design.

**1 Claim, 9 Drawing Sheets**



(56)

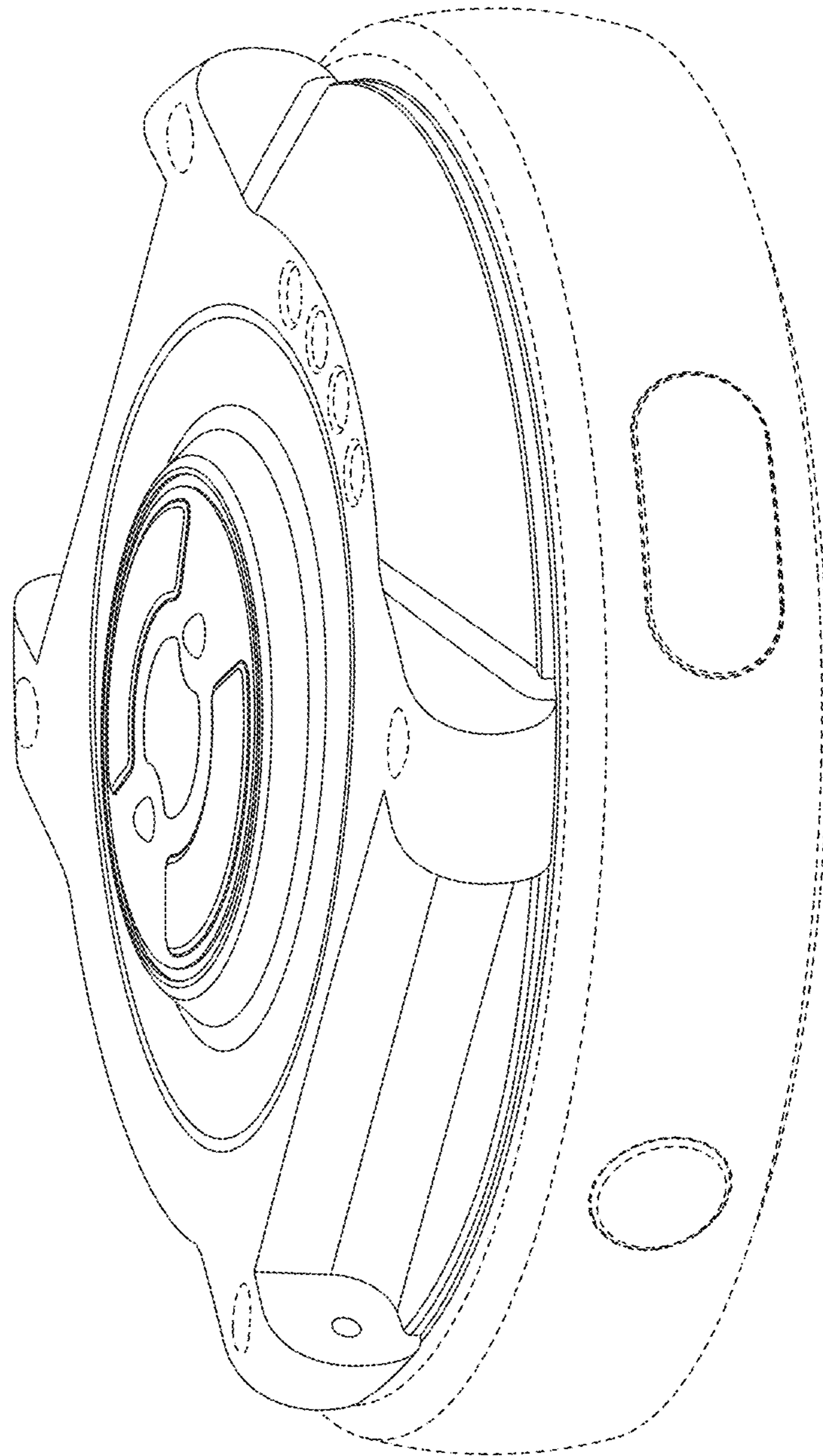
**References Cited**

U.S. PATENT DOCUMENTS

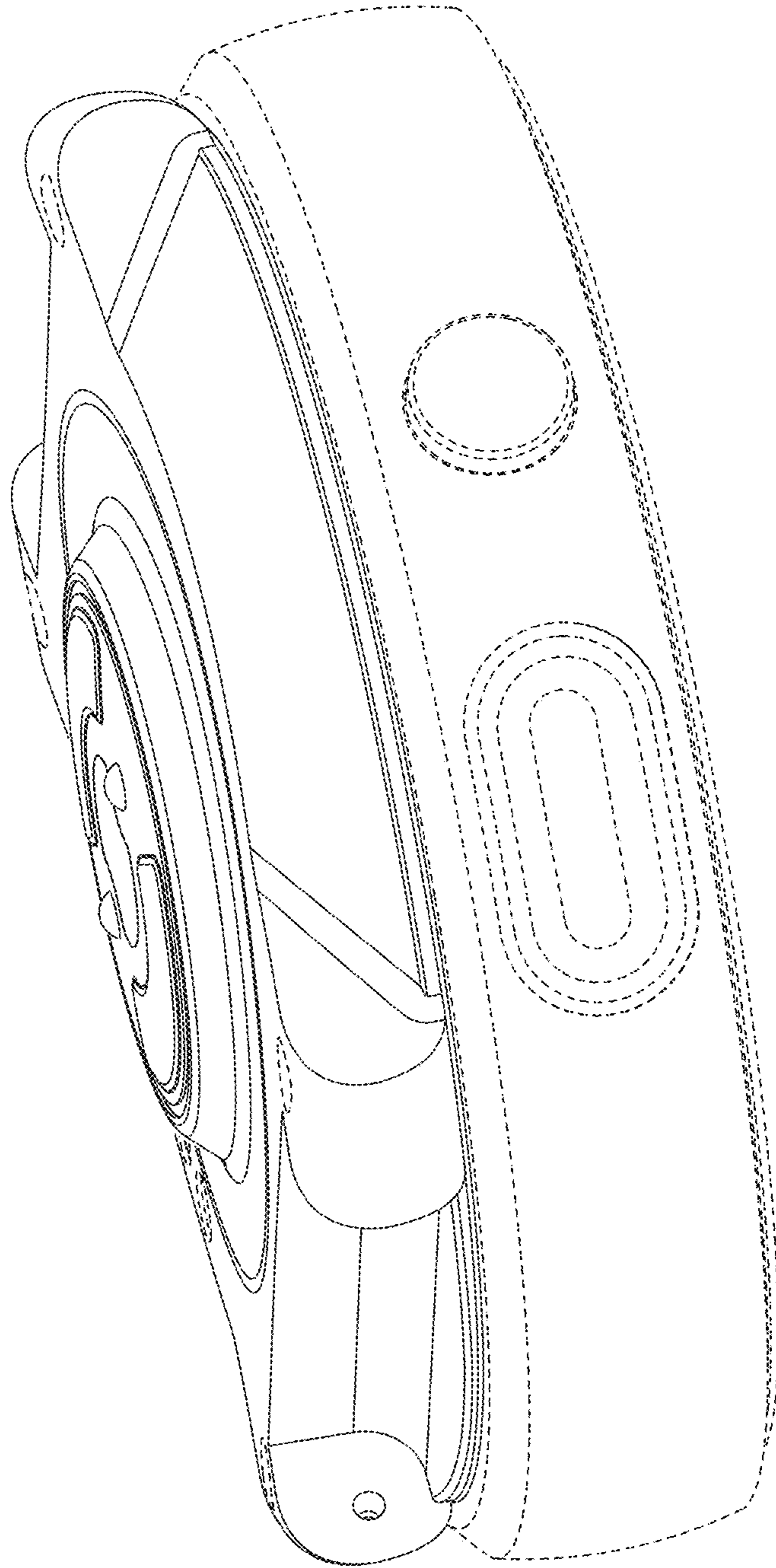
D957,641 S *	7/2022	Li .....	D24/169
2010/0191154 A1 *	7/2010	Berger .....	A61B 5/02411
			345/184
2012/0089000 A1 *	4/2012	Bishay .....	A61B 5/6833
			600/391
2012/0101396 A1 *	4/2012	Solosko .....	A61B 5/0006
			600/509
2014/0142411 A1 *	5/2014	Lin .....	A61B 5/282
			600/386

\* cited by examiner

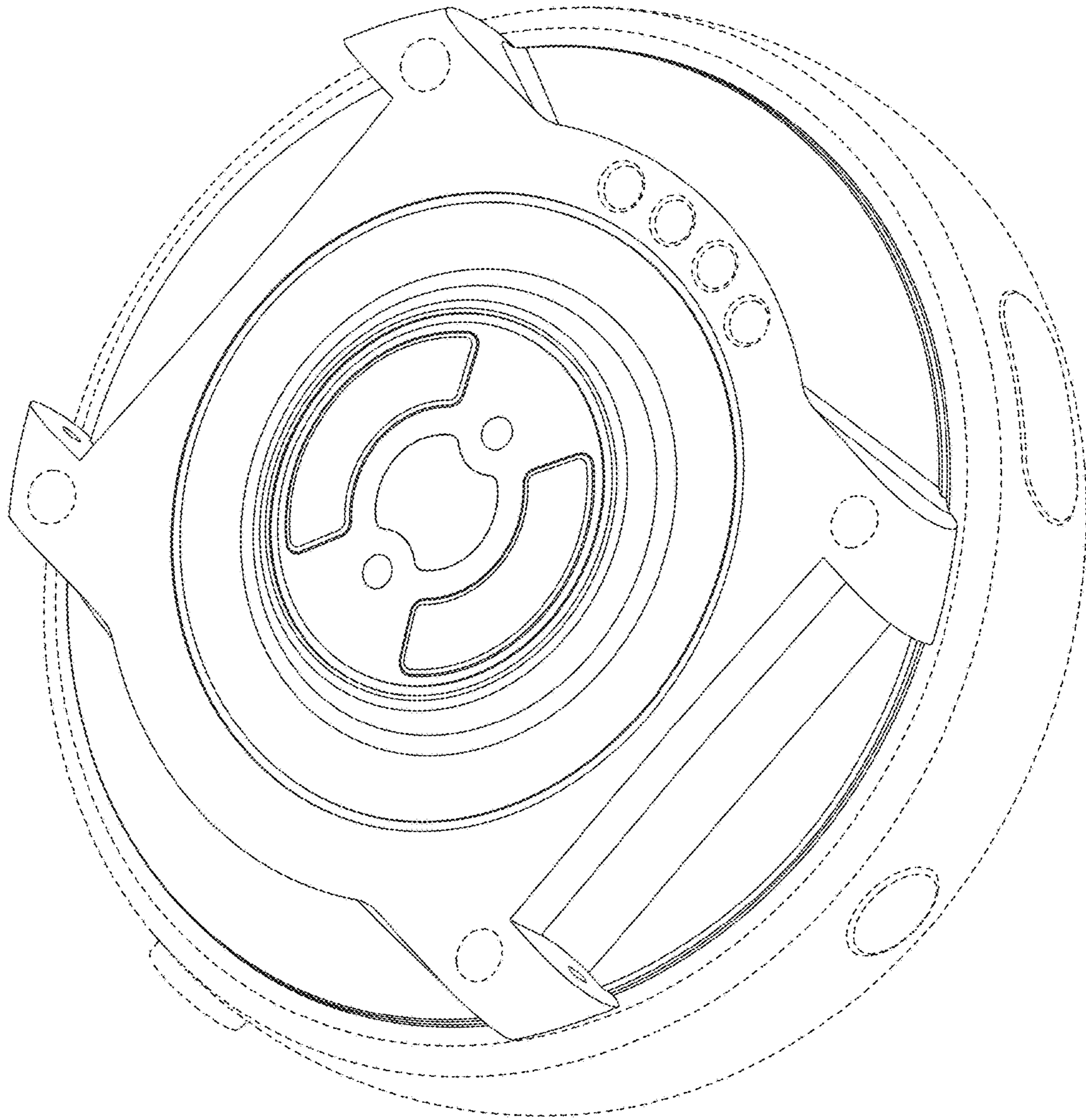
1.1

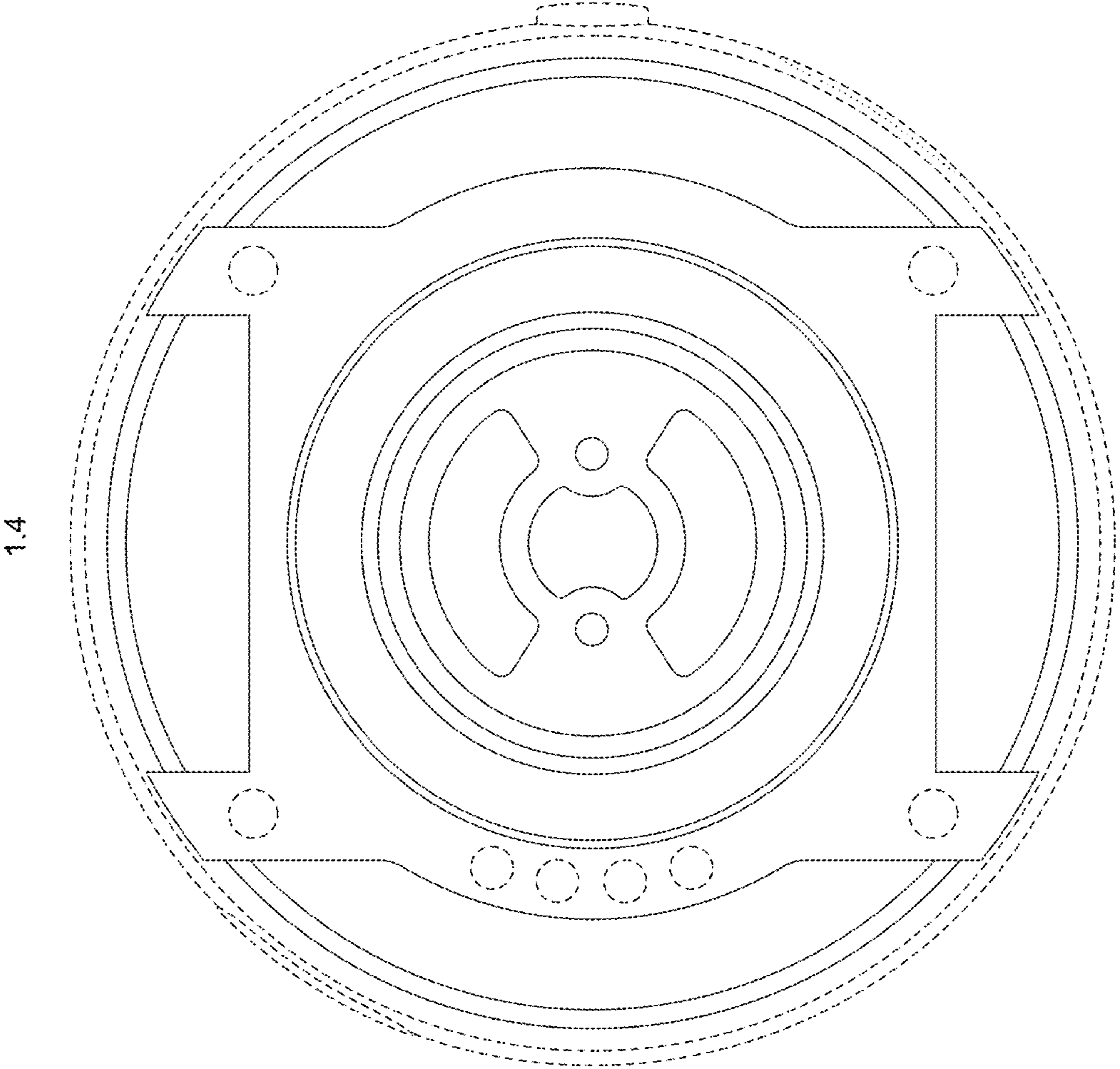


1.2

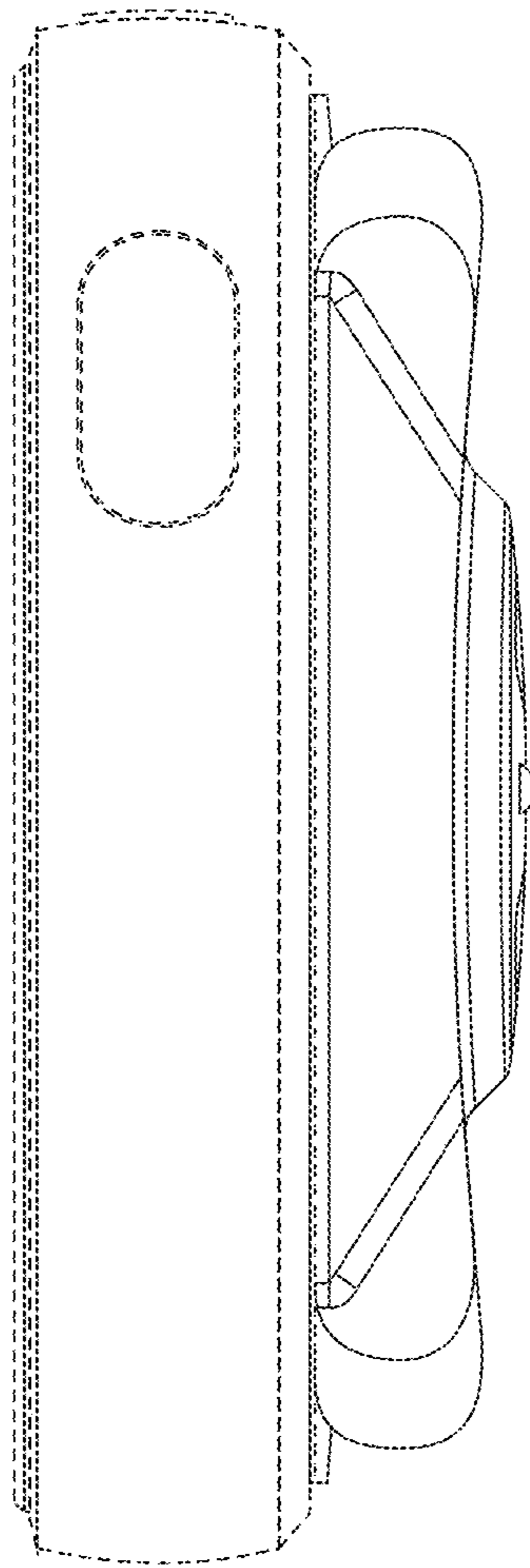


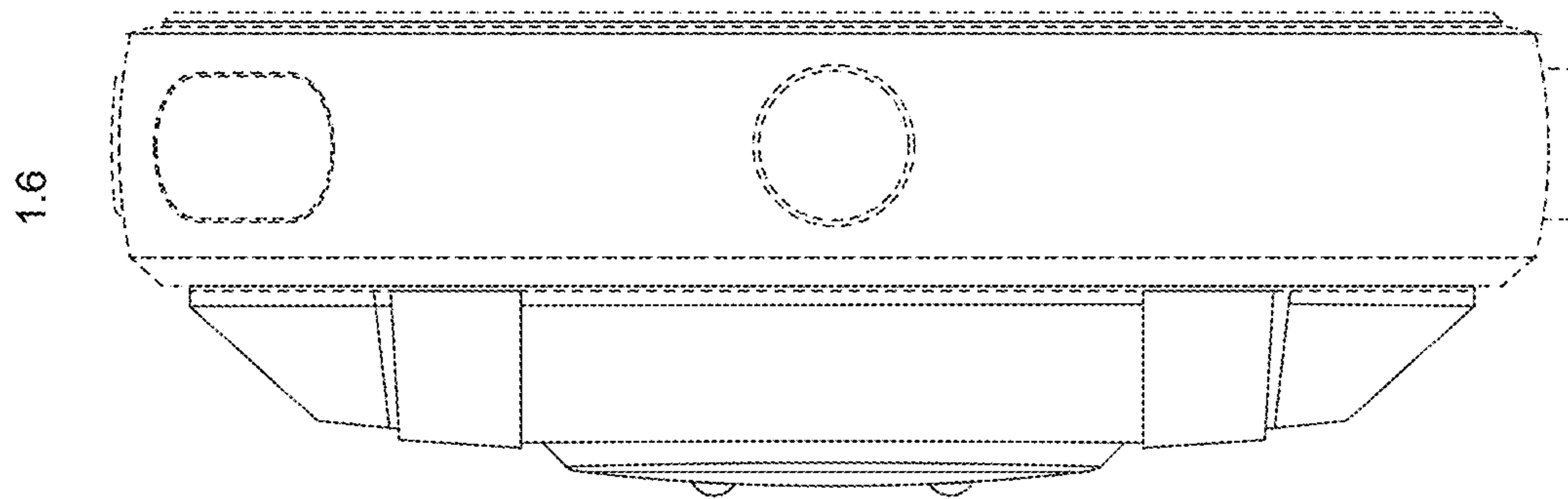
1.3



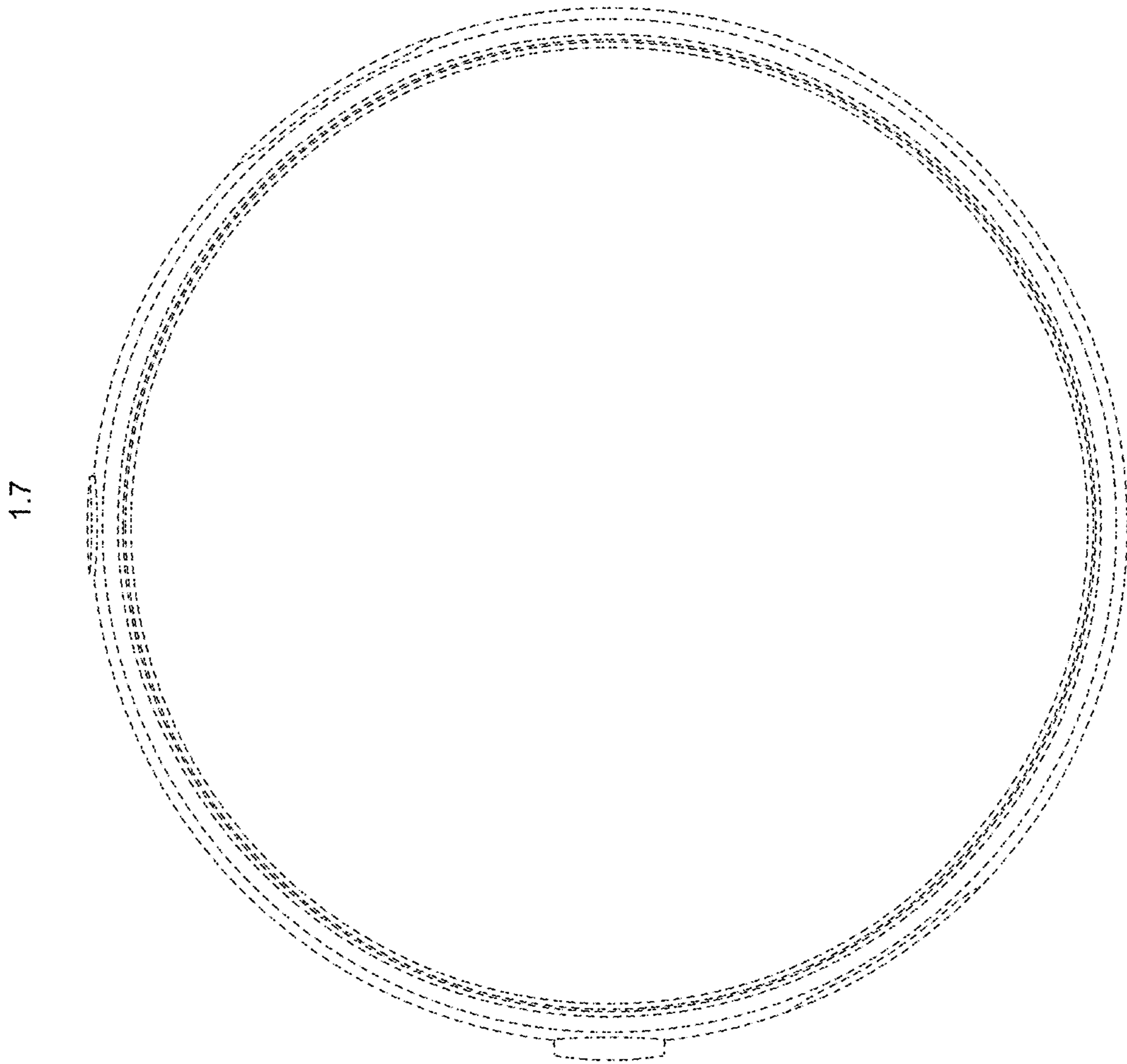


1.5









1.8

