



US00D980987S

(12) **United States Design Patent** (10) **Patent No.:** **US D980,987 S**
O’Grady et al. (45) **Date of Patent:** **** Mar. 14, 2023**

(54) **SENSOR ARRAY**
(71) Applicant: **Alimetry Limited**, Auckland (NZ)
(72) Inventors: **Gregory Brian O’Grady**, Auckland (NZ); **Armen Gharibans**, Auckland (NZ); **James Sebastian Hannon-Tan**, North Adelaide (AU); **Tom Russell**, Everard Park (AU); **Thomas Hayes**, Auckland (NZ)

6,721,593 B2 4/2004 Anderson et al.
D598,111 S * 8/2009 Phillips D24/187
D600,351 S * 9/2009 Phillips D24/168
D605,774 S * 12/2009 Phillips D24/187
9,474,482 B2 10/2016 Devanaboyina
11,006,838 B2 5/2021 Coleman et al.
2009/0084674 A1 4/2009 Holzhacker et al.
2012/0139734 A1 6/2012 Olde et al.
2013/0072870 A1 3/2013 Heppe et al.
2015/0231387 A1 8/2015 Harding et al.

(Continued)

(73) Assignee: **Alimetry Limited**, Auckland (NZ)

FOREIGN PATENT DOCUMENTS

(**) Term: **15 Years**

WO 2019241753 A1 12/2019
WO 2020257836 A1 12/2020

(21) Appl. No.: **29/783,035**

Primary Examiner — Antoine Duval Davis

(22) Filed: **May 11, 2021**

(74) *Attorney, Agent, or Firm* — Pilloff Passino & Cosenza LLP; Martin J. Cosenza

(30) **Foreign Application Priority Data**

Nov. 11, 2020 (NZ) 428236

(51) **LOC (14) Cl.** **24-02**

(52) **U.S. Cl.**
USPC **D24/187; D10/80**

(58) **Field of Classification Search**
USPC D10/78, 80, 103; D24/186, 187
CPC A61B 5/282; A61B 5/332; A61B 5/6804;
A61B 5/0002; A61B 5/28; A61B 5/6805;
A61B 5/0015; A61B 5/0536; A61B
5/6823; A61B 5/0024; A61B 5/686; A61B
5/6867; A61B 5/40; A61B 5/42; A61B
5/05; A61B 2562/046; A61B 2562/227;
A61B 2562/0261; A61B 2562/0219;
A61B 2562/04; A61B 2562/0271; A61B
2562/0247

See application file for complete search history.

(56) **References Cited**

U.S. PATENT DOCUMENTS

5,419,337 A 5/1995 Dempsey et al.
5,733,151 A 3/1998 Edsall et al.

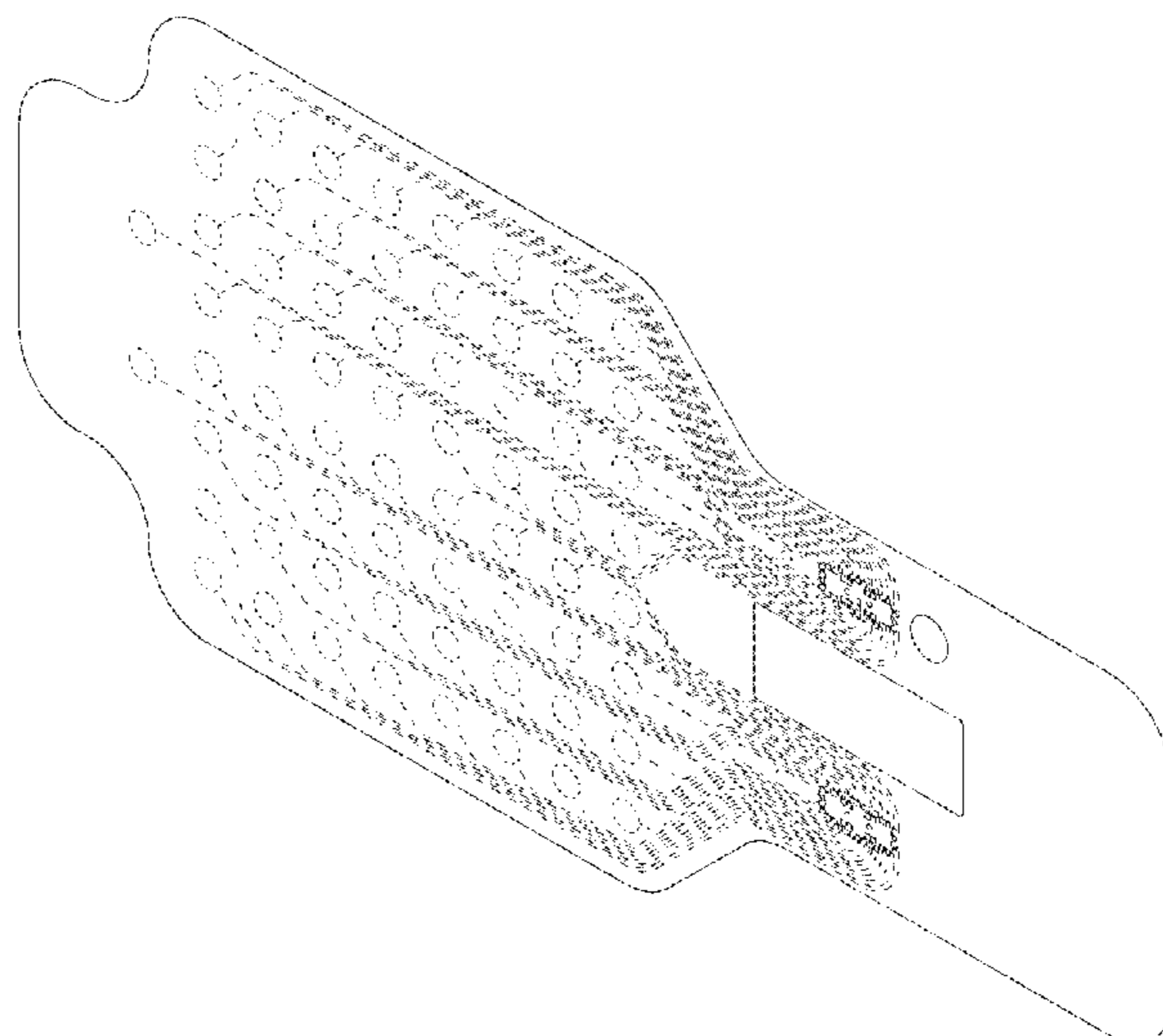
(57) **CLAIM**

The ornamental design for a sensor array, as shown and described.

DESCRIPTION

FIG. 1 is a perspective front view of the sensor array in accordance with an embodiment of the design;
FIG. 2 is a perspective rear view of the sensor array in accordance with an embodiment of the design;
FIG. 3 is a top view of the sensor array in accordance with an embodiment of the design;
FIG. 4 is a bottom view of the sensor array in accordance with an embodiment of the design;
FIG. 5 is a view representing either side of the sensor array in accordance with an embodiment of the design; and,
FIG. 6 is a view representing either end of the sensor array in accordance with an embodiment of the design.
The features presented in dashed lines correspond to environment and do not form part of the claimed design.

1 Claim, 6 Drawing Sheets



(56)

References Cited

U.S. PATENT DOCUMENTS

2018/0220950 A1 8/2018 Cobanoglu et al.
2019/0350484 A1 11/2019 Coleman et al.

* cited by examiner

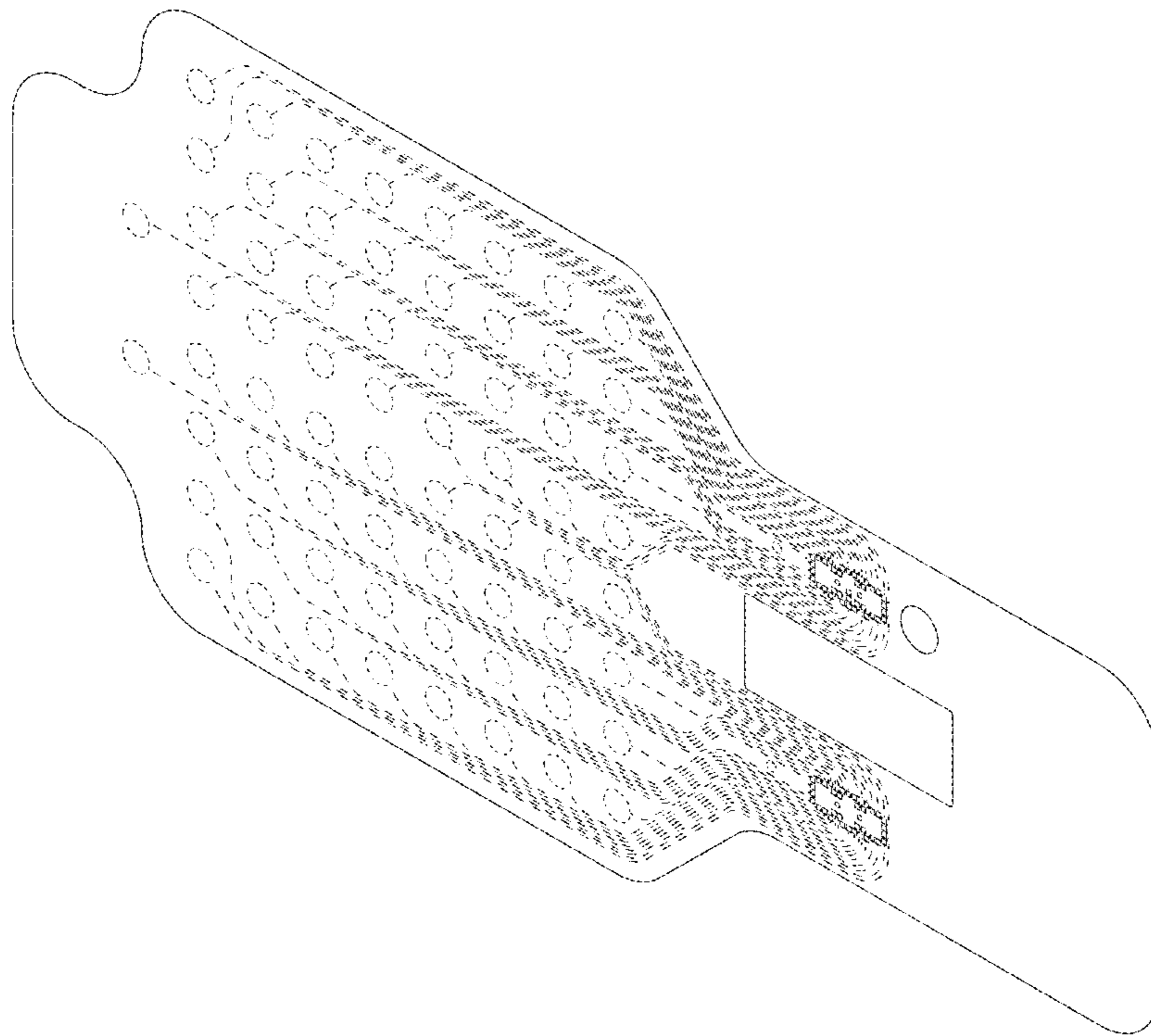


FIG. 1

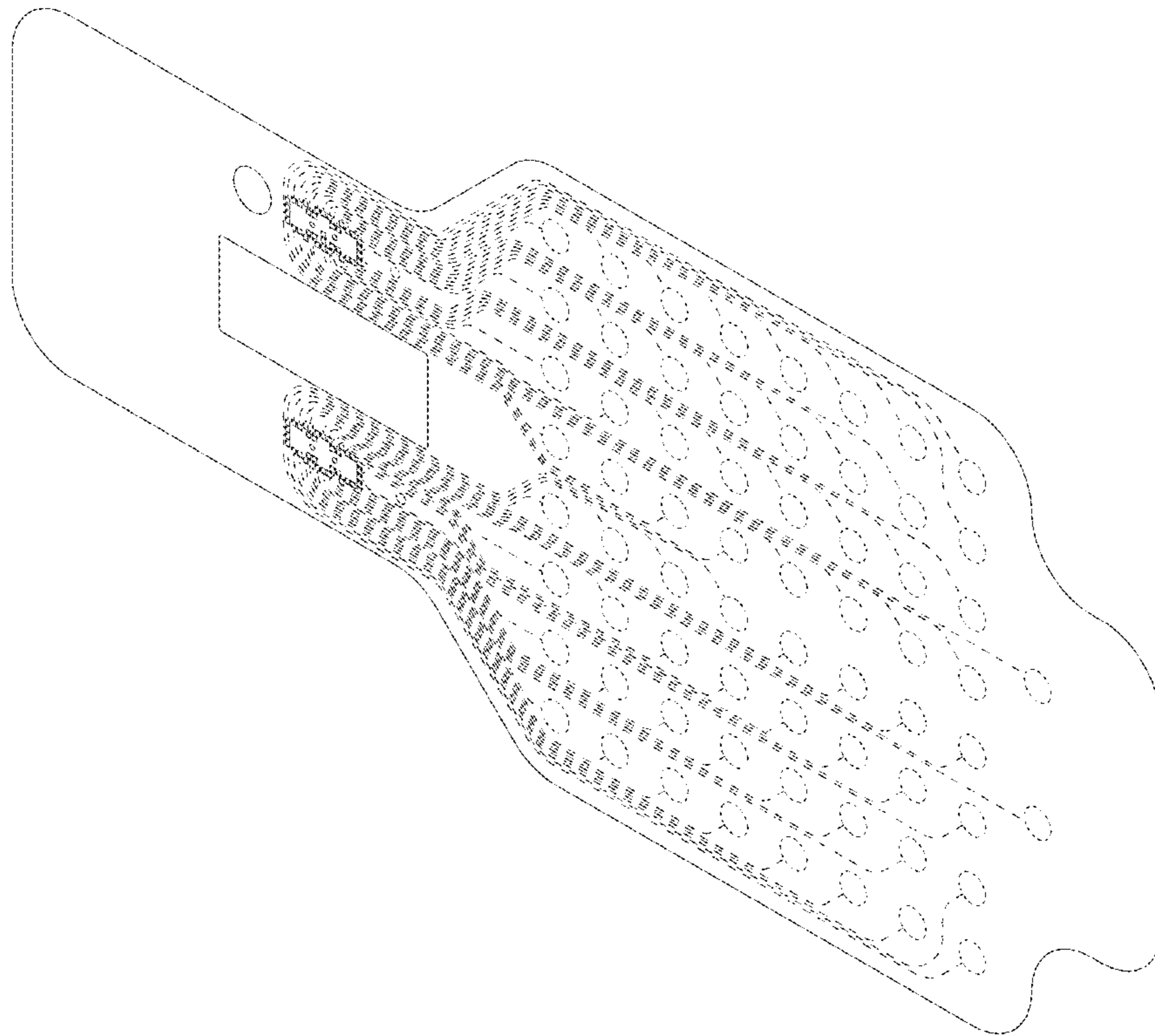


FIG. 2

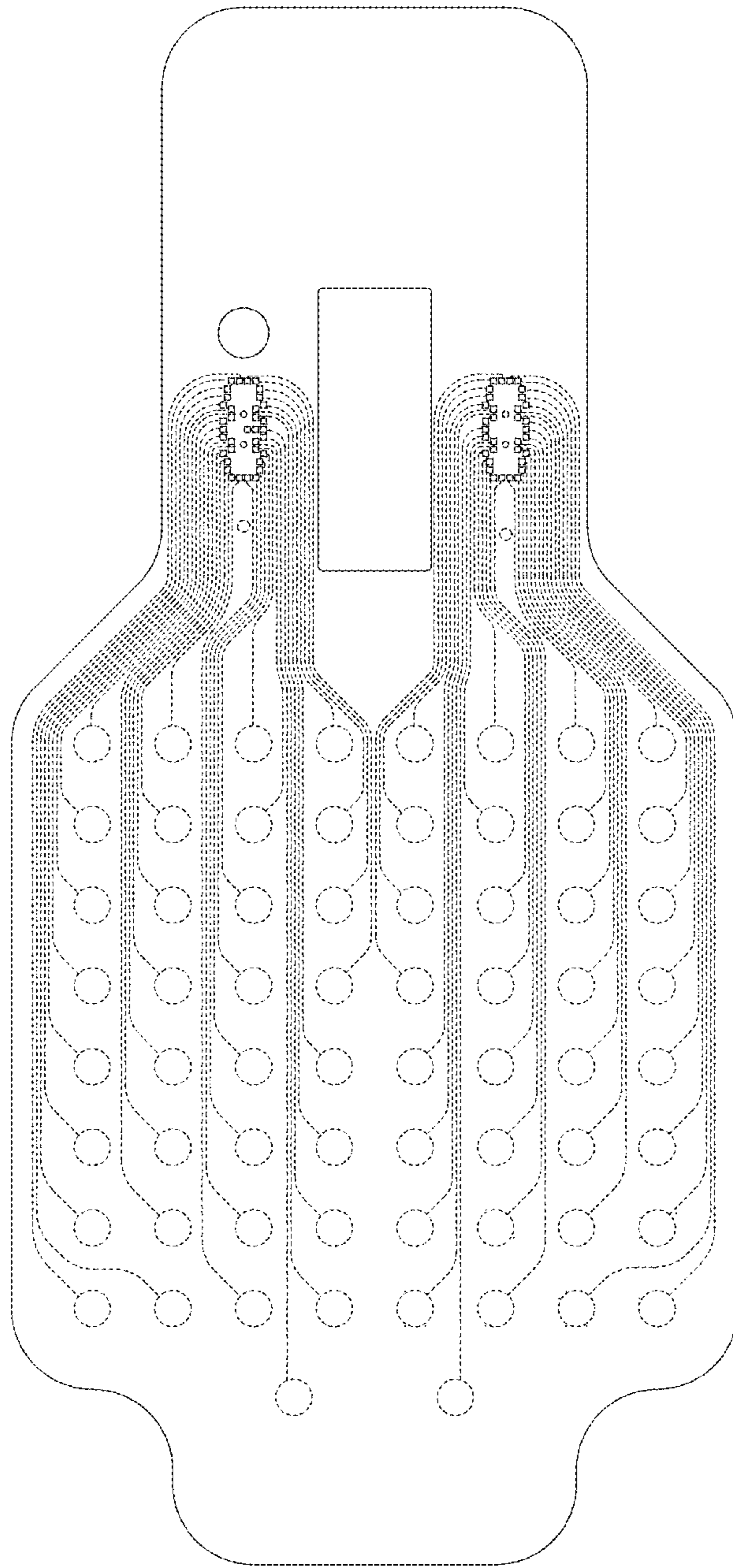


FIG. 3

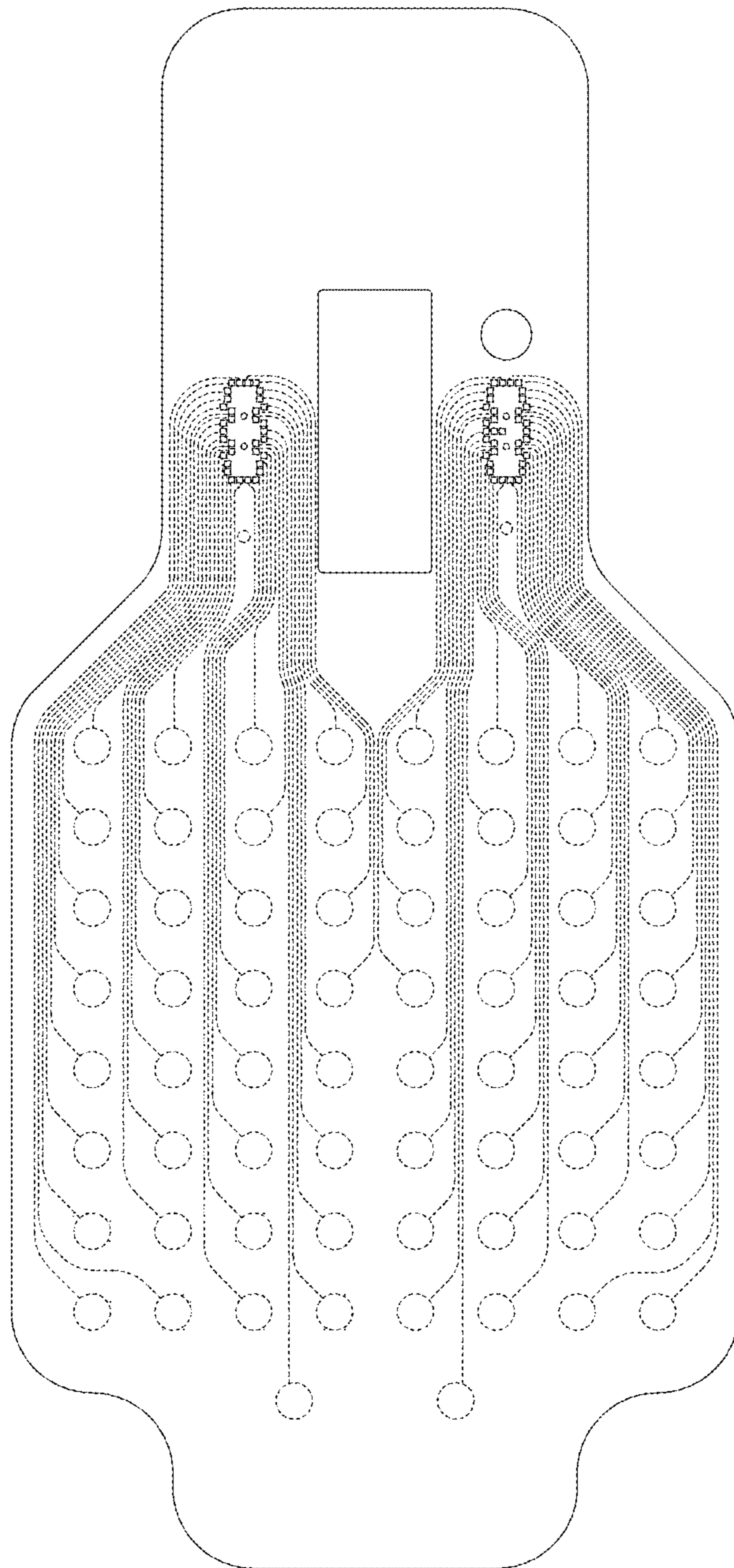


FIG. 4



FIG. 5



FIG. 6