



US00D980985S

(12) **United States Design Patent** (10) **Patent No.:** **US D980,985 S**
Katsura et al. (45) **Date of Patent:** **** Mar. 14, 2023**

(54) **OPERATOR CONSOLE FOR INTRAVASCULAR DIAGNOSTIC IMAGING**

D735,868 S * 8/2015 Mareguddi D24/185
D825,763 S * 8/2018 Lim B62B 3/10
D24/160
D840,541 S * 2/2019 Yanagihara D24/160

(71) Applicant: **TERUMO KABUSHIKI KAISHA**,
Tokyo (JP)

(Continued)

(72) Inventors: **Hideki Katsura**, Tokyo (JP); **Toyokazu Horiike**, Shizuoka (JP)

FOREIGN PATENT DOCUMENTS

EM 007757232-0001 * 12/2020

(73) Assignee: **TERUMO KABUSHIKI KAISHA**,
Tokyo (JP)

OTHER PUBLICATIONS

(**) Term: **15 Years**

Amazon, "24 Shelves Adjustable Mobile Stand up Presentation Station", first available Nov. 5, 2014. (<https://www.amazon.ca/dp/B00DQAAMEU/?th=1>) (Year: 2014).*

(21) Appl. No.: **29/729,036**

(Continued)

(22) Filed: **Mar. 24, 2020**

Primary Examiner — Lauren D McVey

Assistant Examiner — Justin A Johnson

(30) **Foreign Application Priority Data**

(74) *Attorney, Agent, or Firm* — IPUSA, PLLC

Sep. 26, 2019 (JP) 2019-021521

(51) **LOC (14) Cl.** **24-01**

(52) **U.S. Cl.**

USPC **D24/185**

(58) **Field of Classification Search**

USPC D24/183, 184, 185, 186

CPC A61B 3/00; A61B 3/0016; A61B 3/0033;

A61B 3/0075; A61B 3/02; A61F 9/00;

A61F 9/007

See application file for complete search history.

(56) **References Cited**

U.S. PATENT DOCUMENTS

D486,915 S * 2/2004 Warschewske D24/185

D555,792 S * 11/2007 Haymann D24/177

D692,563 S * 10/2013 Naef D24/172

D702,842 S * 4/2014 Hyde D24/185

D708,331 S * 7/2014 Kim D24/185

D712,540 S * 9/2014 Hansen D24/158

8,844,951 B2 * 9/2014 De Jong B62B 3/10

361/679.01

(57) **CLAIM**

The ornamental design for an operator console for intravascular diagnostic imaging, as shown and described.

DESCRIPTION

FIG. 1 is a front, top and left side perspective view of an operator console for intravascular diagnostic imaging, showing our new design;

FIG. 2 is a front, bottom and right side perspective view thereof;

FIG. 3 is a rear, bottom and right side perspective view perspective view thereof;

FIG. 4 is a front view thereof;

FIG. 5 is a rear view thereof;

FIG. 6 is a right side view thereof;

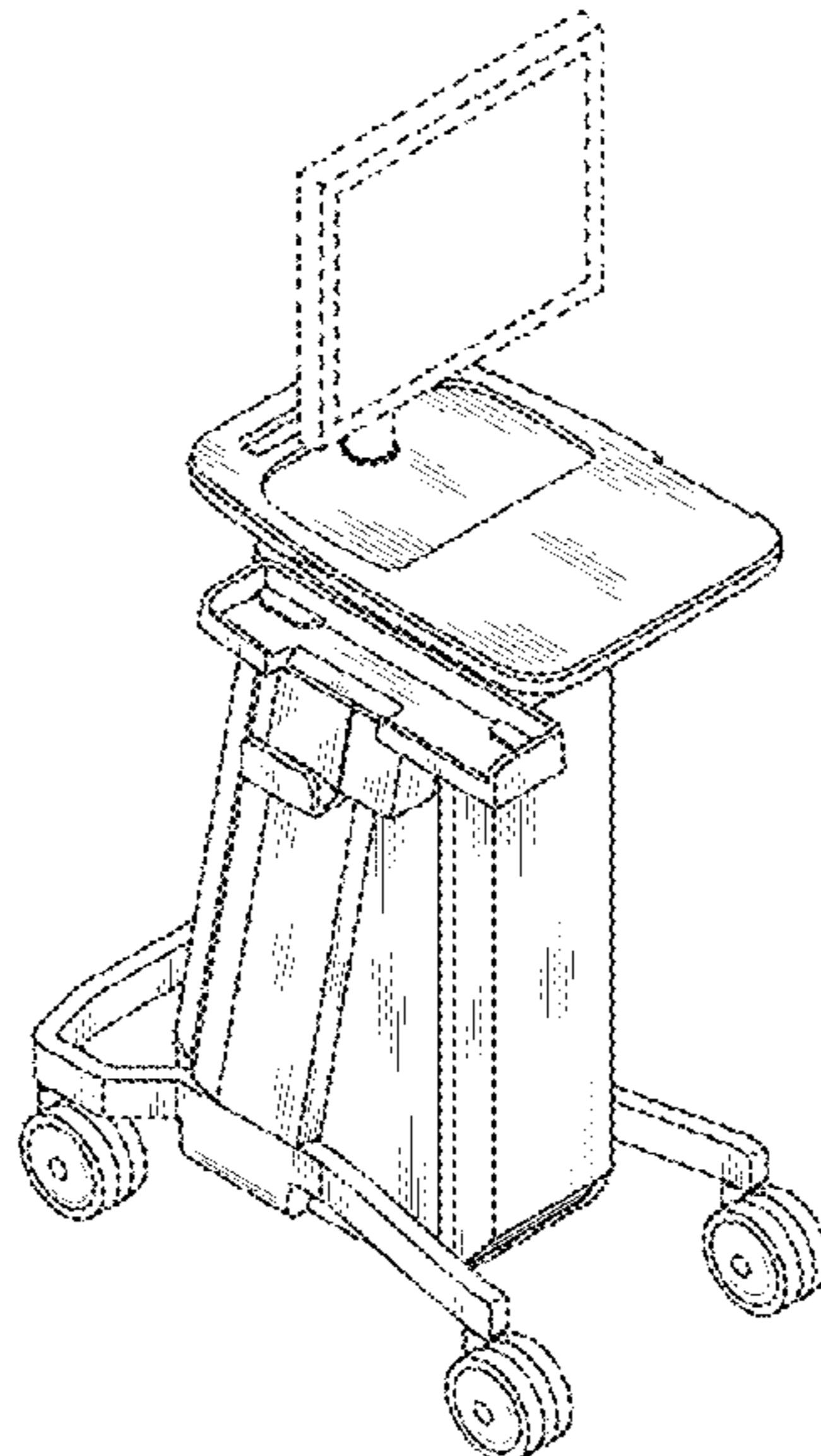
FIG. 7 is a left side view thereof;

FIG. 8 is a top plan view thereof; and,

FIG. 9 is a bottom plan view thereof.

The broken lines illustrate portions of the article and form no part of the claimed design.

1 Claim, 8 Drawing Sheets



(56)

References Cited

U.S. PATENT DOCUMENTS

D843,585 S * 3/2019 Wu D24/186
D882,798 S * 4/2020 Hong D24/186
D936,230 S * 11/2021 Prout D24/185

OTHER PUBLICATIONS

Research Gate, "The St. Jude OCT system", first available Aug. 2018. (https://www.researchgate.net/figure/The-St-Jude-OCT-system-a-C7-XR-tm-OCT-console-b-The-C7-dragonfly-OCT-imaging-probe_fig1_326921526) (Year: 2018).*

Business Wire, "Perimeter Medical Imaging AI Announces U.S. FDA 510(k) Clearance for OCT Imaging System", first available Mar. 1, 2021. (<https://www.businesswire.com/news/home/20210301005552/en/Perimeter-Medical-Imaging-AI-Announces-U.S.-FDA-510-k-Clearance-for-OCT-Imaging-System>) (Year: 2021).*

Ergotron, "Thermal Imaging Cart", first available Jan. 12, 2021. (<https://www.businesswire.com/news/home/20210301005552/en/Perimeter-Medical-Imaging-AI-Announces-U.S.-FDA-510-k-Clearance-for-OCT-Imaging-System>) (Year: 2021).*

* cited by examiner

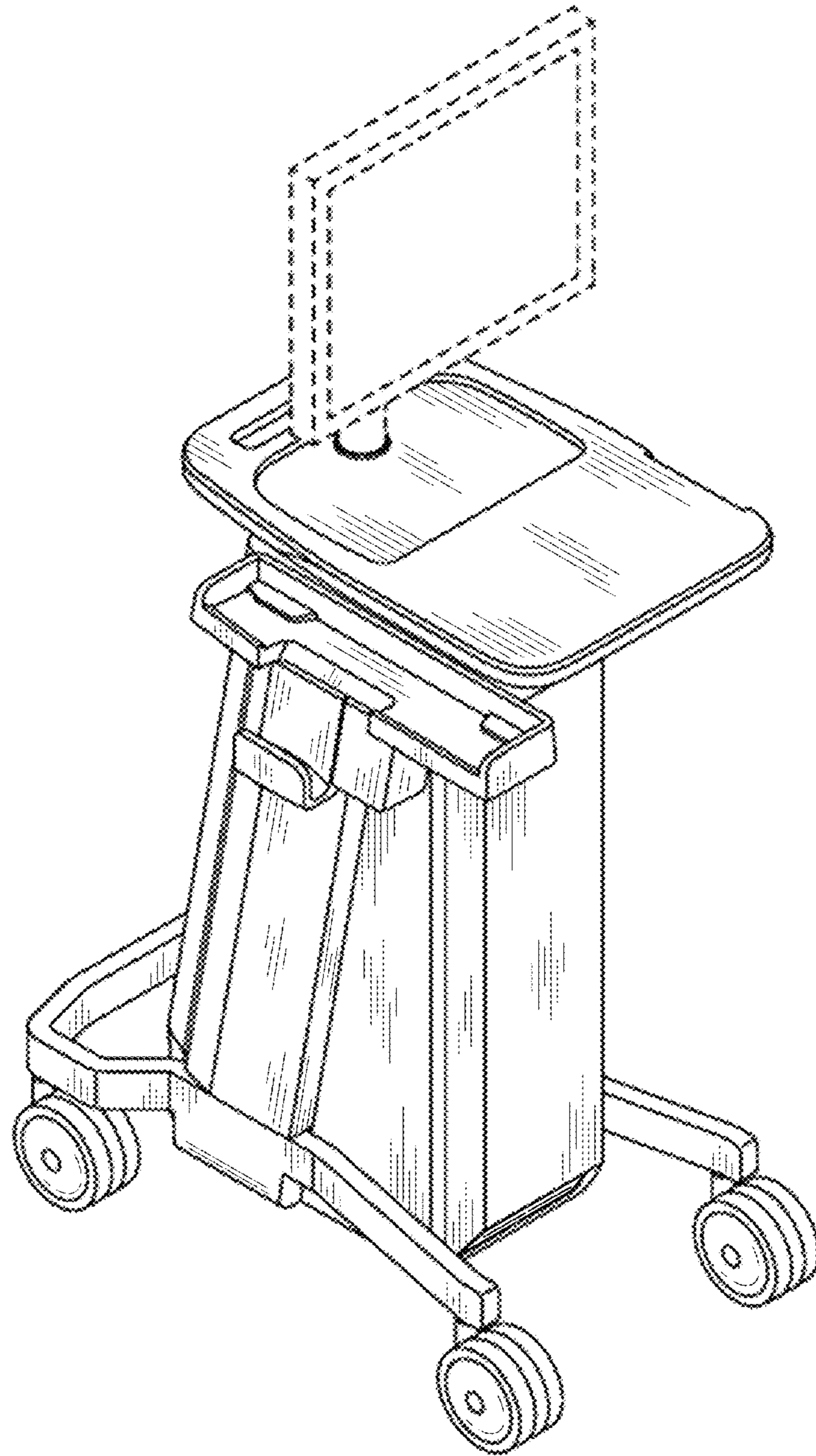


Fig. 1

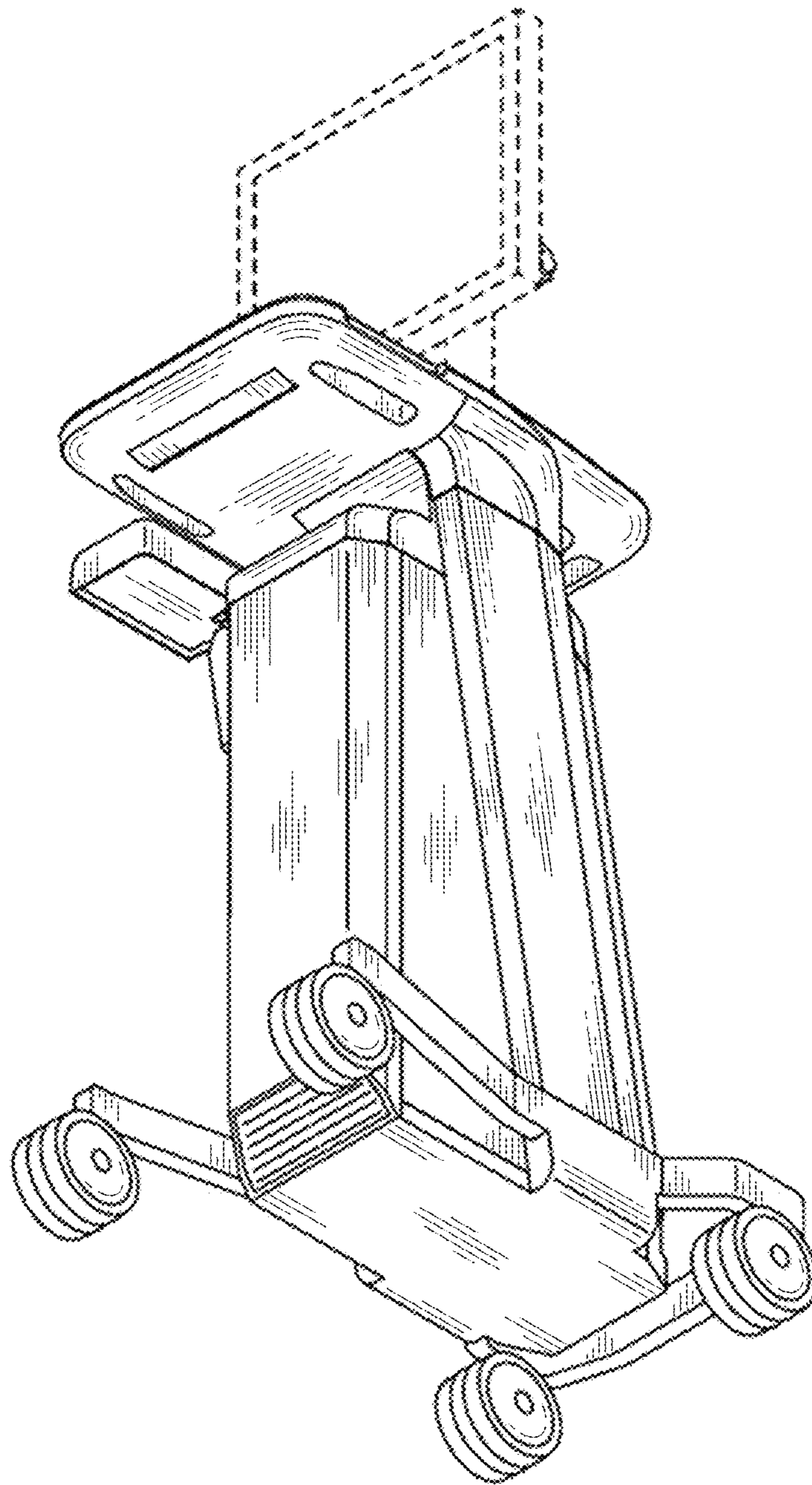


Fig. 2

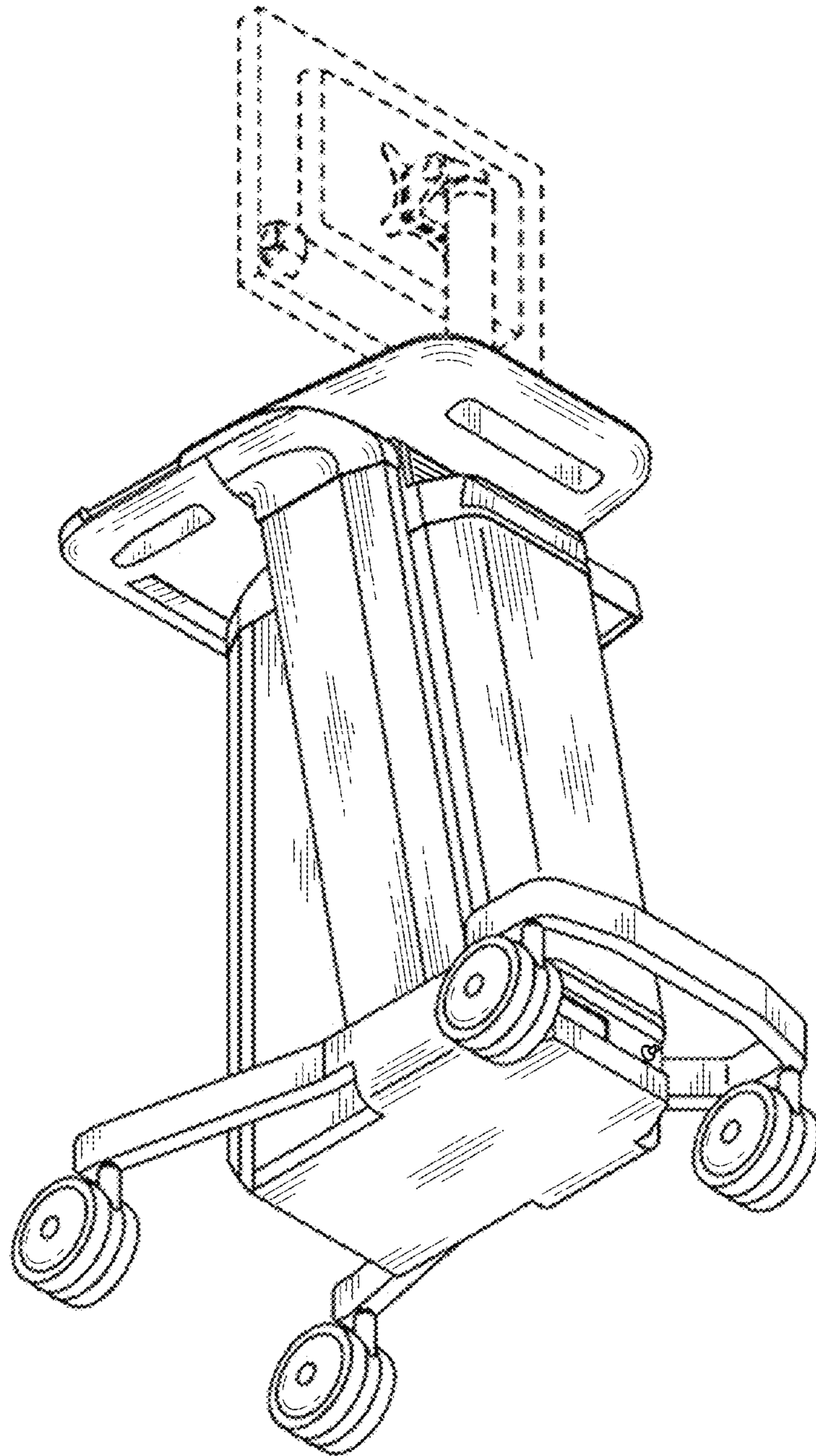


Fig. 3

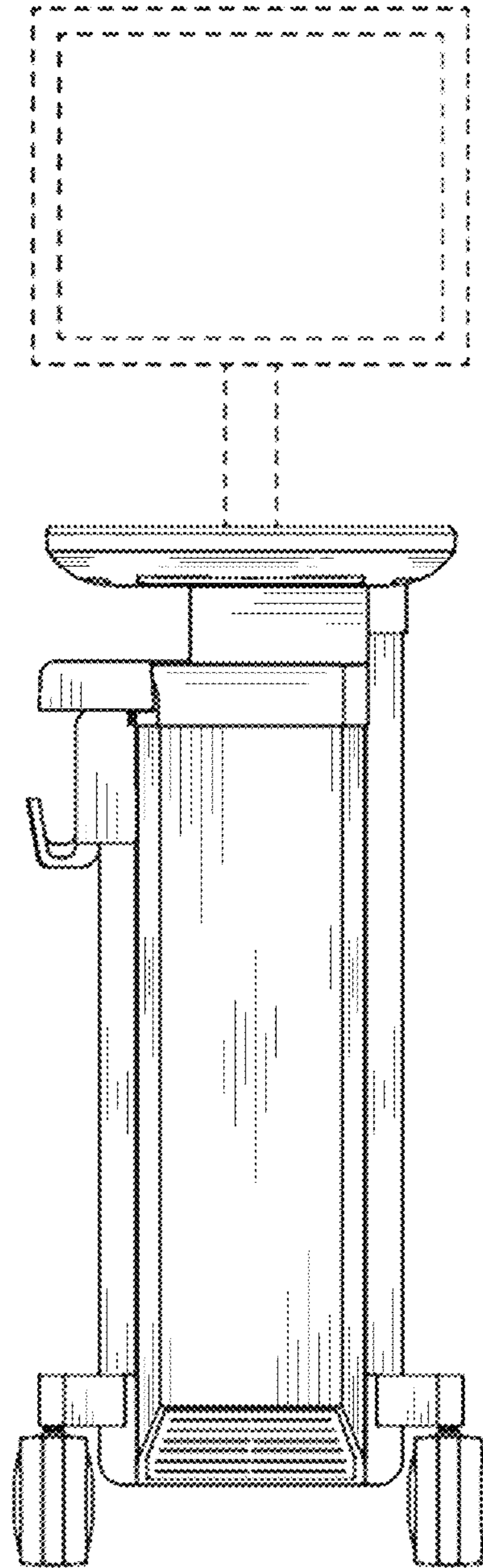


Fig. 4

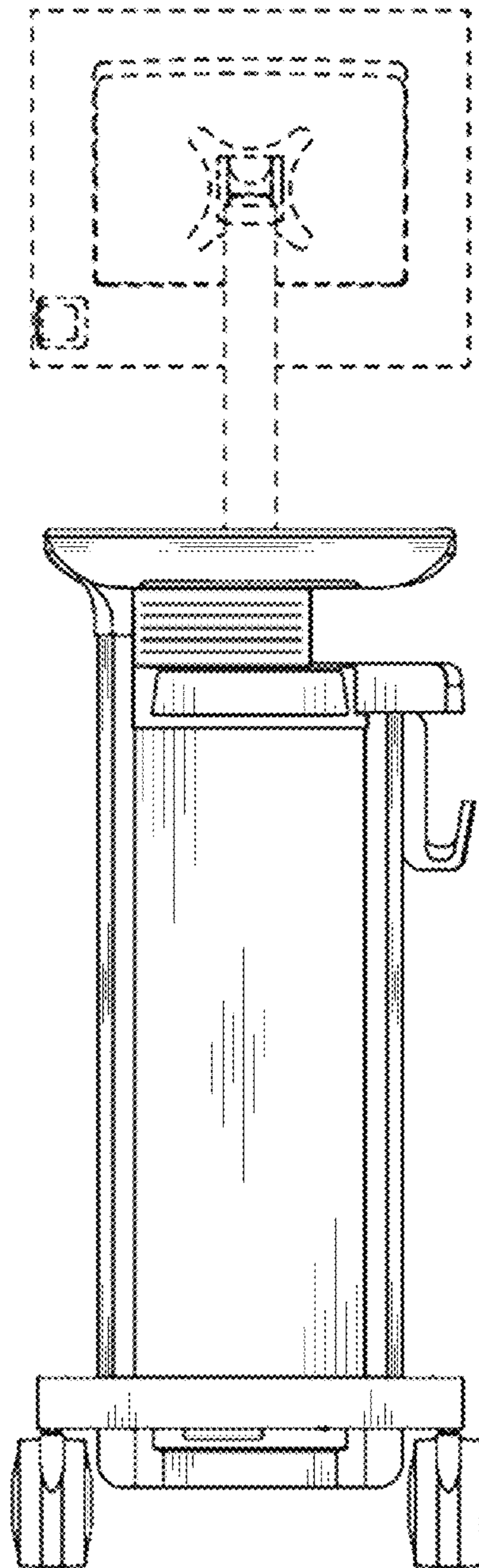


Fig. 5

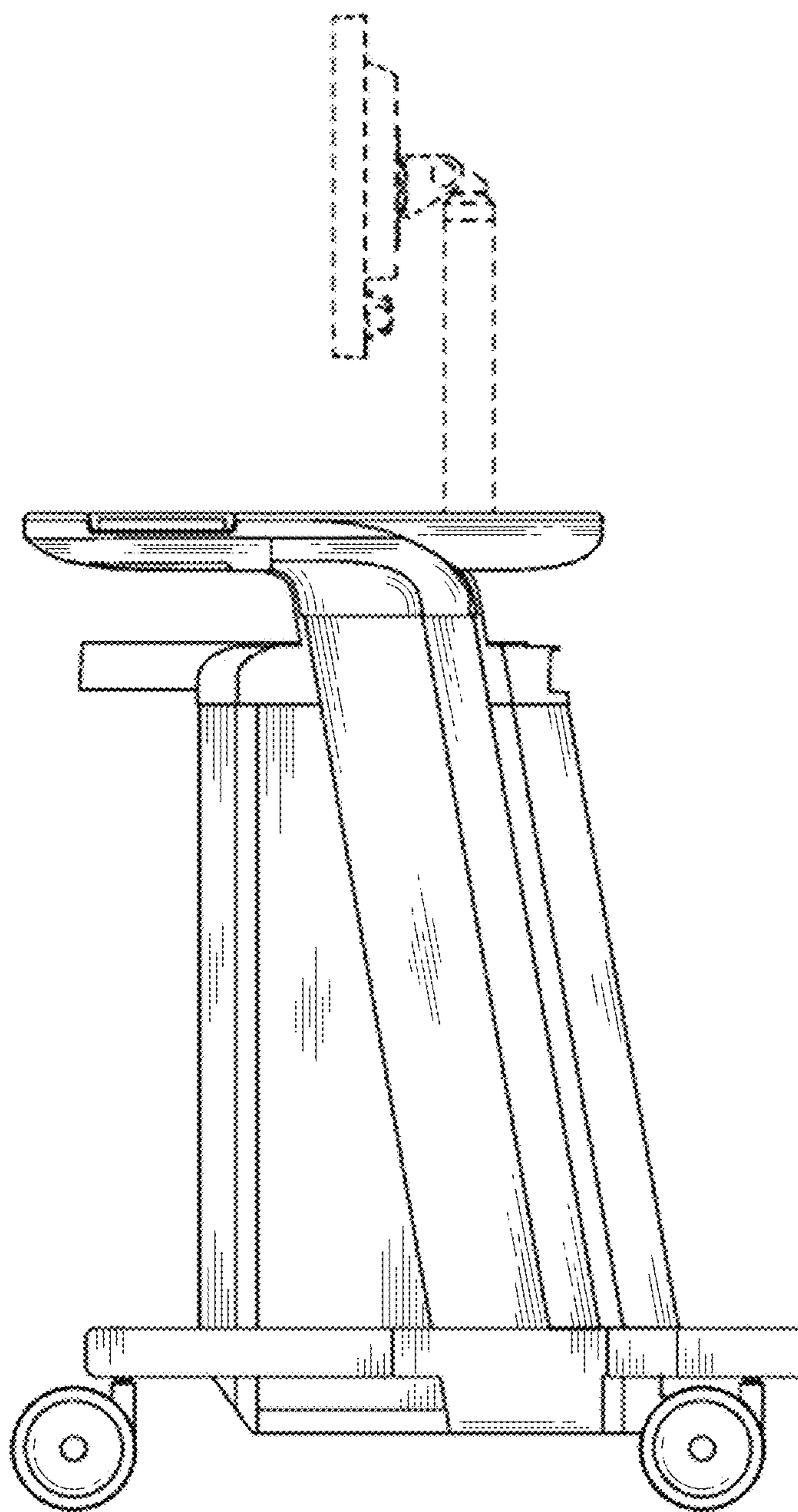


Fig. 6

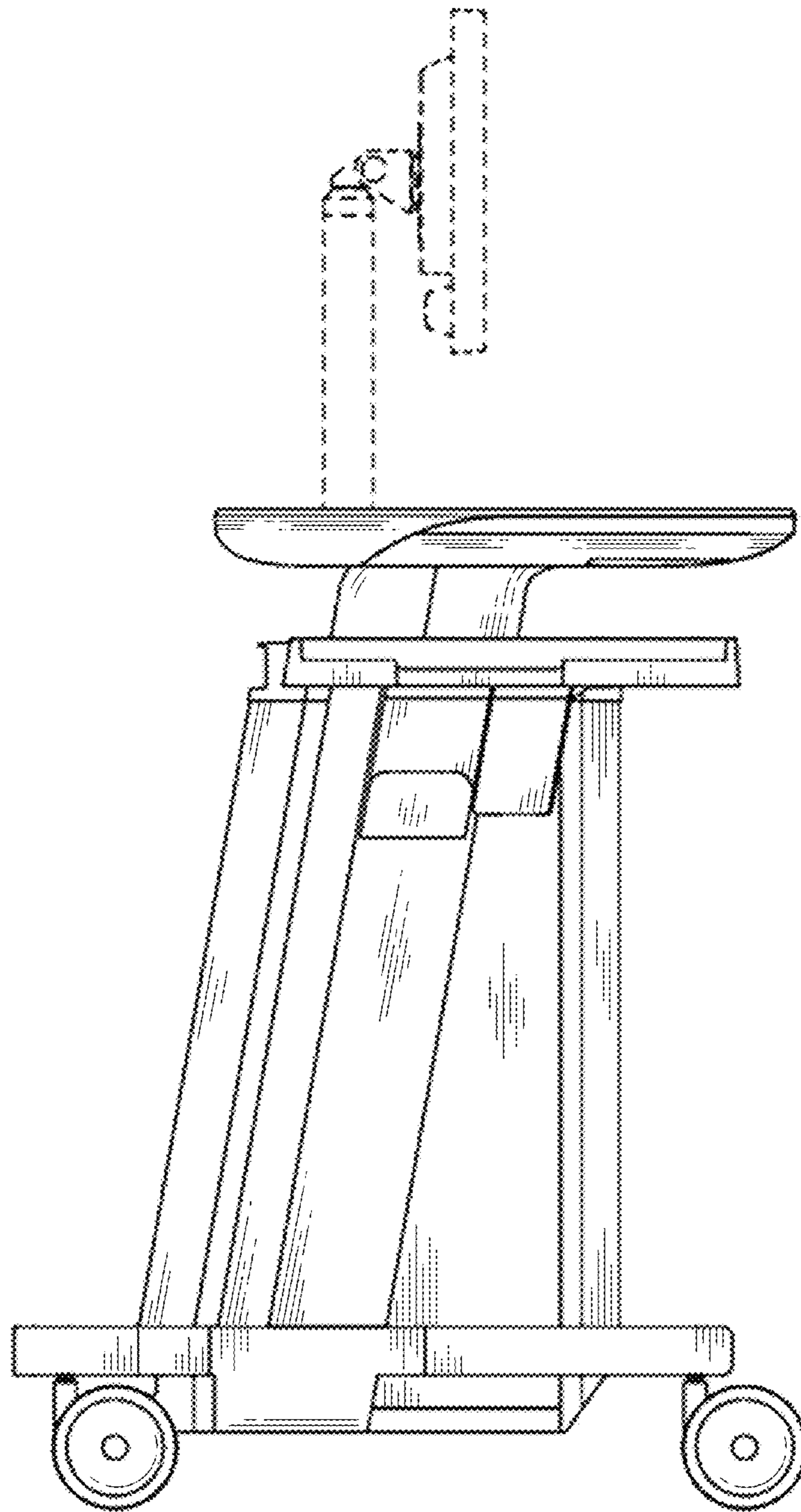


Fig. 7

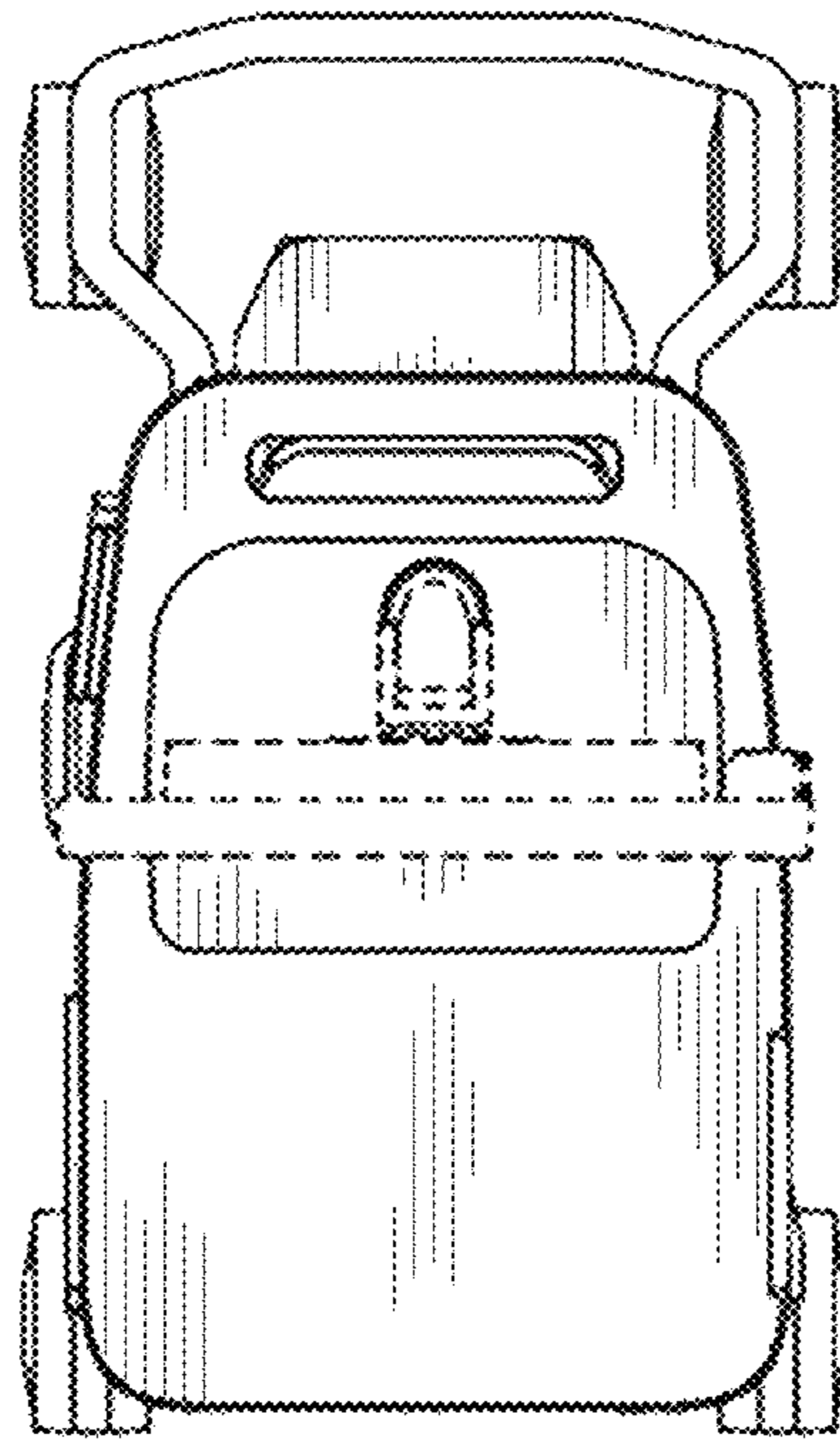


Fig. 8

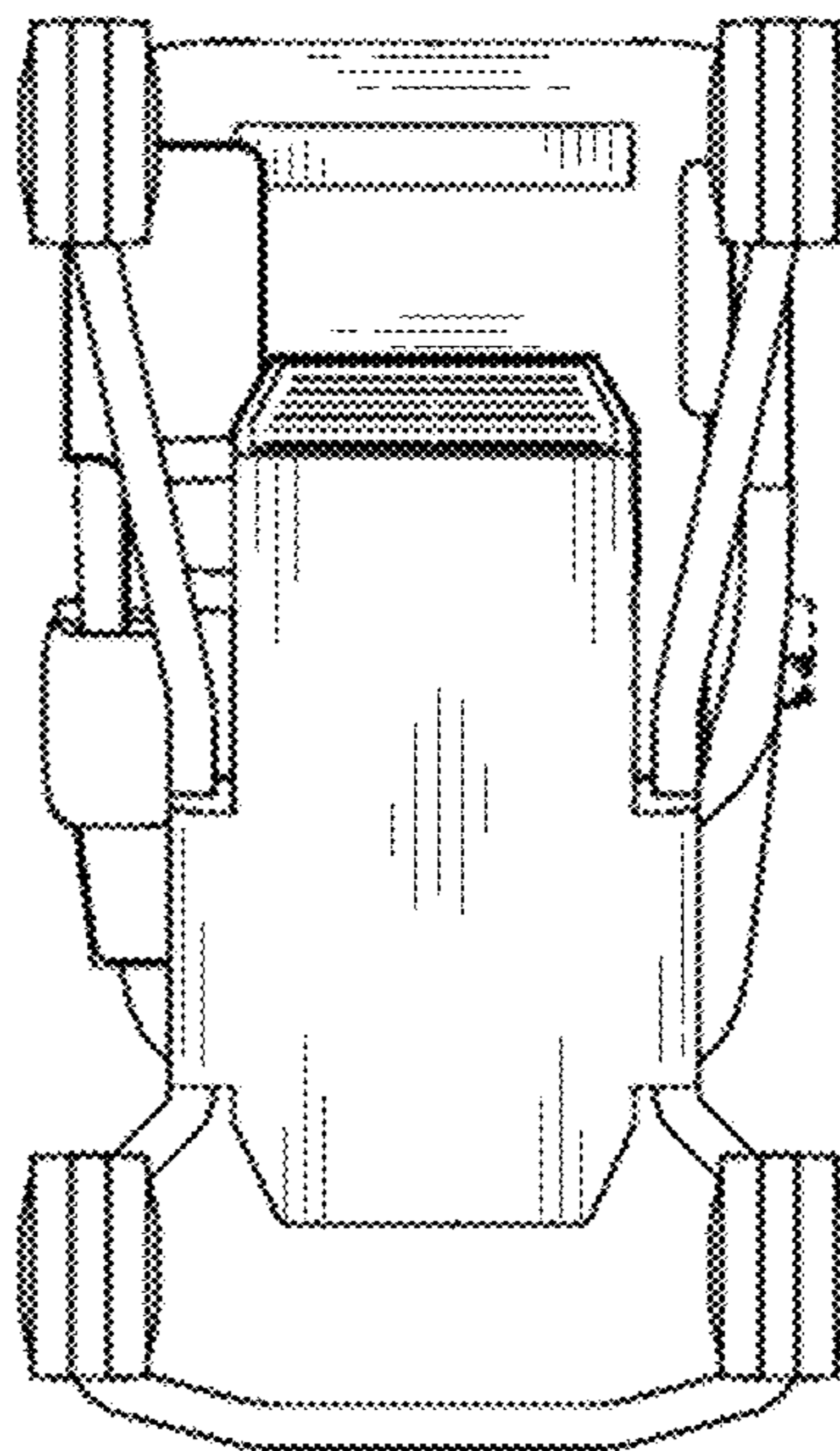


Fig. 9