



US00D980984S

(12) **United States Design Patent**
Young

(10) **Patent No.:** **US D980,984 S**
(45) **Date of Patent:** **** Mar. 14, 2023**

(54) **ORTHODONTIC APPLIANCE**

(71) Applicant: **Yau Yau Cecilia Young**, Kowloon (HK)

(72) Inventor: **Yau Yau Cecilia Young**, Kowloon (HK)

(**) Term: **15 Years**

(21) Appl. No.: **29/825,570**

(22) Filed: **Feb. 2, 2022**

Related U.S. Application Data

(63) Continuation-in-part of application No. 17/486,832, filed on Sep. 27, 2021.

(51) **LOC (14) Cl.** **24-02**

(52) **U.S. Cl.**
USPC **D24/180**

(58) **Field of Classification Search**
USPC D24/133, 144, 147, 176, 180, 181;
D29/108
CPC A61C 7/28; A61C 7/30
See application file for complete search history.

(56) **References Cited**

U.S. PATENT DOCUMENTS

2,591,745	A *	4/1952	Tofflemire	A61C 5/85 433/155
2,594,367	A *	4/1952	Tofflemire	A61C 5/85 433/155
2,607,117	A *	8/1952	Baughan	A61C 5/85 433/39

(Continued)

FOREIGN PATENT DOCUMENTS

CN	108712893	10/2018
CN	113057748	12/2018

(Continued)

OTHER PUBLICATIONS

Orthodontic bracket—Palatal MSI SafeVersatileEasy—Oral Health Group, date published Sep. 10, 2019, date retrieved Sep. 12, 2022—29825570—<https://www.oralhealthgroup.com/features/palatal-msi-safe-versatile-easy/> (Year: 2019).*

(Continued)

Primary Examiner — Nicole C Shiflet

Assistant Examiner — Danielle Nichole Bowly

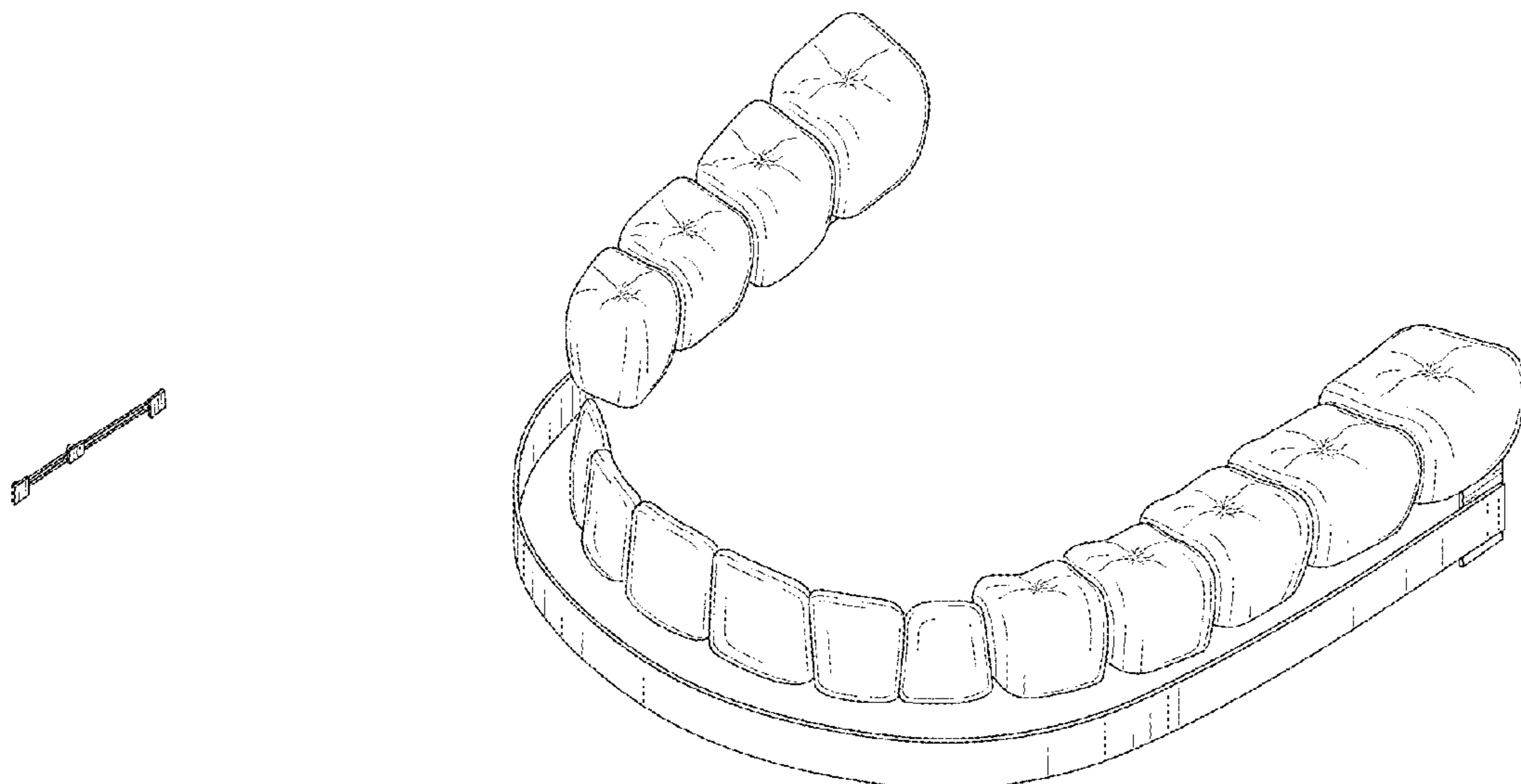
(57) **CLAIM**

The ornamental design for an orthodontic appliance, as shown and described.

DESCRIPTION

FIG. 1 is a top-front-left perspective view of an orthodontic appliance showing my new design; FIG. 2 is a bottom-rear-right perspective view thereof; FIG. 3 is a front elevational view thereof; FIG. 4 is a rear elevational view thereof; FIG. 5 is a top plan view thereof; FIG. 6 is a bottom plan view thereof; FIG. 7 is a right elevational view thereof; FIG. 8 is a left elevational view thereof; FIG. 9 is a top-front-right perspective view thereof, showing the orthodontic appliance in a first configuration; FIG. 10 is a top-front-right perspective view thereof, showing the orthodontic appliance in a second configuration; FIG. 11 is a top-front-right perspective view thereof, showing the orthodontic appliance in a third configuration; and, FIG. 12 is a top-front-right perspective view thereof, showing the orthodontic appliance in a fourth configuration. The broken lines shown in the drawings represent portions of the orthodontic appliance that form no part of the claimed design.

1 Claim, 12 Drawing Sheets



(56)

References Cited

U.S. PATENT DOCUMENTS

2,720,701 A * 10/1955 Tofflemire A61C 5/85
433/155
2,789,353 A * 4/1957 Biggs A61C 13/1013
433/26
3,262,207 A * 7/1966 Kesling A61C 7/287
433/21
6,318,994 B1 * 11/2001 Chishti A61C 7/00
433/213
7,077,646 B2 7/2006 Hilliard
7,416,409 B2 8/2008 Färber
8,882,497 B2 11/2014 Frantz et al.
8,905,754 B1 12/2014 Ernstberger
10,595,971 B2 3/2020 Parker
10,881,489 B2 * 1/2021 Tong A61C 7/28
2002/0132207 A1 9/2002 Tuneberg
2004/0219473 A1 * 11/2004 Cleary A61C 7/146
433/24
2007/0172788 A1 * 7/2007 Hill, II A61C 7/20
433/20
2008/0138759 A1 6/2008 Kravitz et al.
2014/0170585 A1 * 6/2014 Parker A61C 7/22
433/7

2014/0329193 A1 * 11/2014 Jasper A61C 7/36
433/19
2014/0335468 A1 * 11/2014 Dickerson A61C 7/20
433/19
2015/0140501 A1 5/2015 Kim
2018/0147027 A1 * 5/2018 Jang A61C 7/20
2018/0235732 A1 * 8/2018 Pitts A61C 7/12
2021/0137646 A1 * 5/2021 Yoon A61C 7/16
2022/0142743 A1 * 5/2022 Cecilia A61C 7/16

FOREIGN PATENT DOCUMENTS

CN 305570291 * 1/2020
GB 9002685248-0001 * 4/2015

OTHER PUBLICATIONS

An interdisciplinary approach to orthodontic treatment, Wiley Online Library, published Oct. 6, 2021, date retrieved Sep. 19, 2022—29825570—<https://onlinelibrary.wiley.com/doi/full/10.1111/jerd.12819> (Year: 2021).*

* cited by examiner

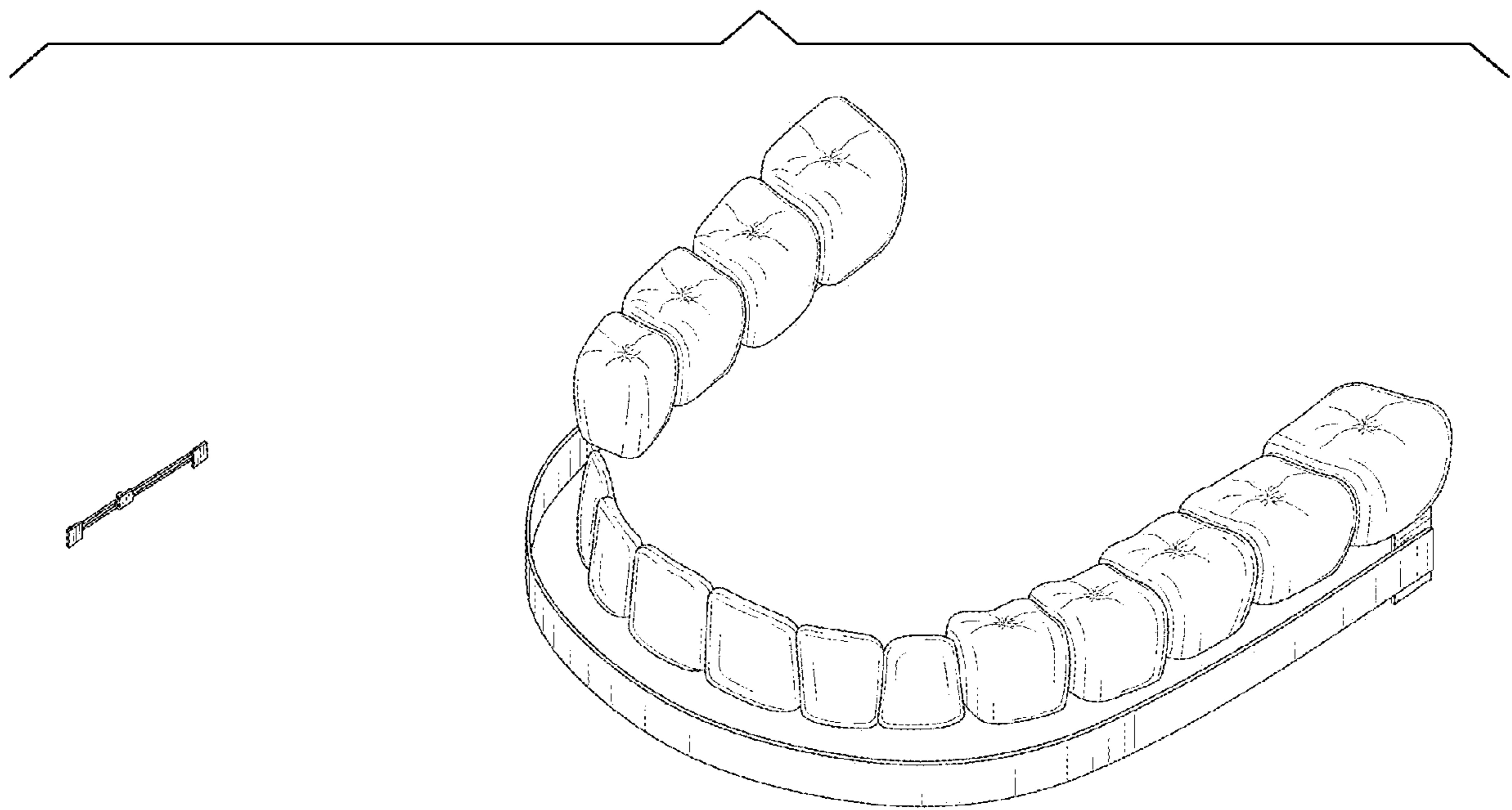


FIG. 1

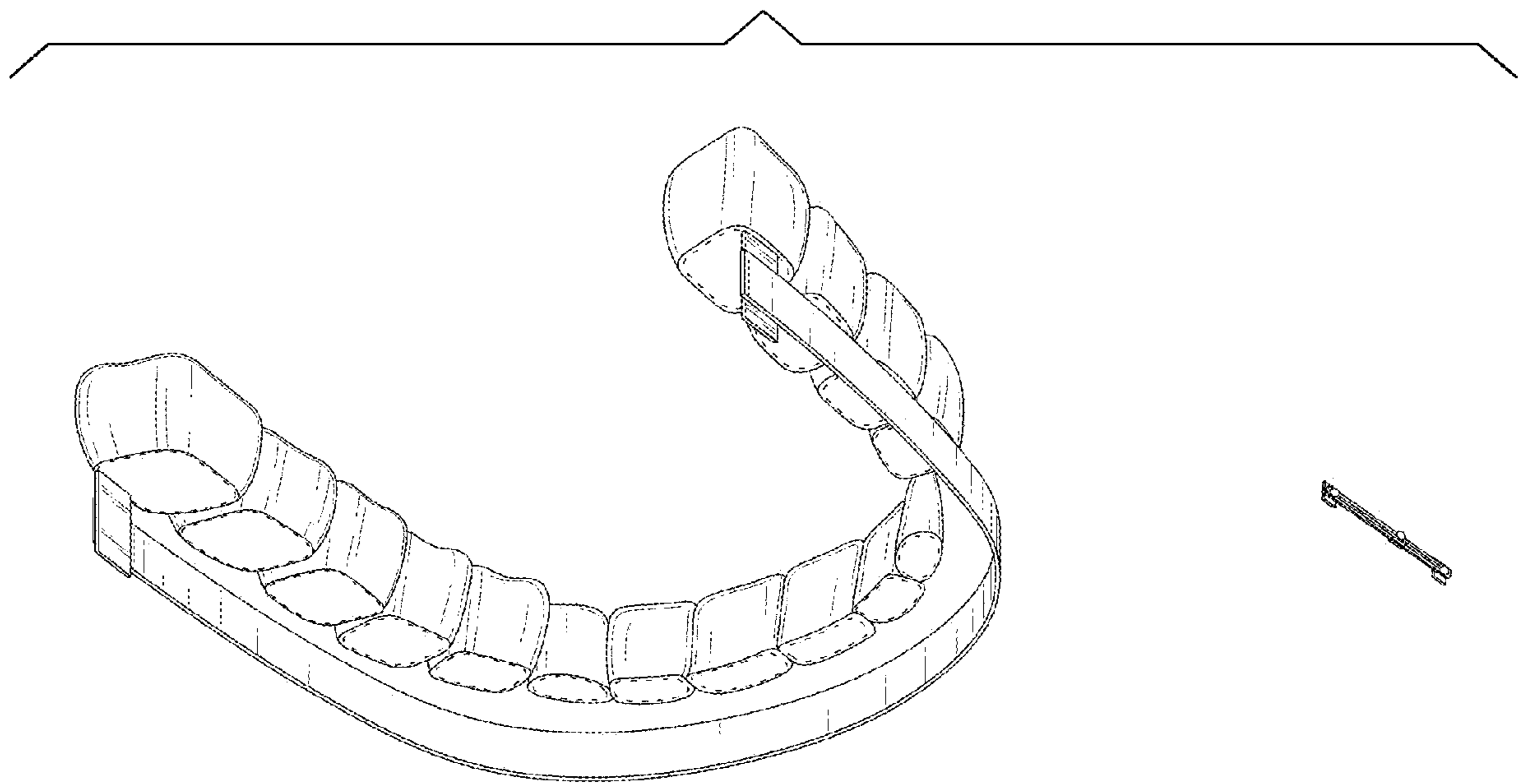


FIG. 2

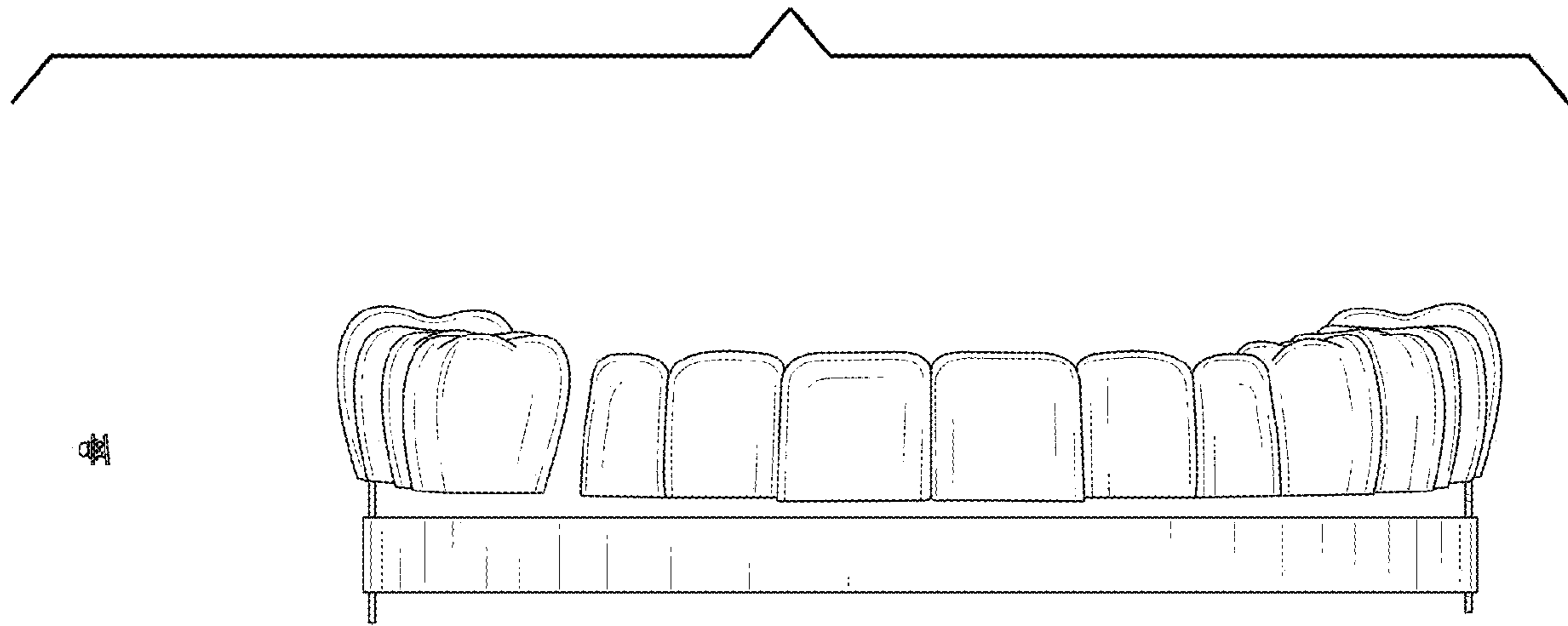


FIG. 3

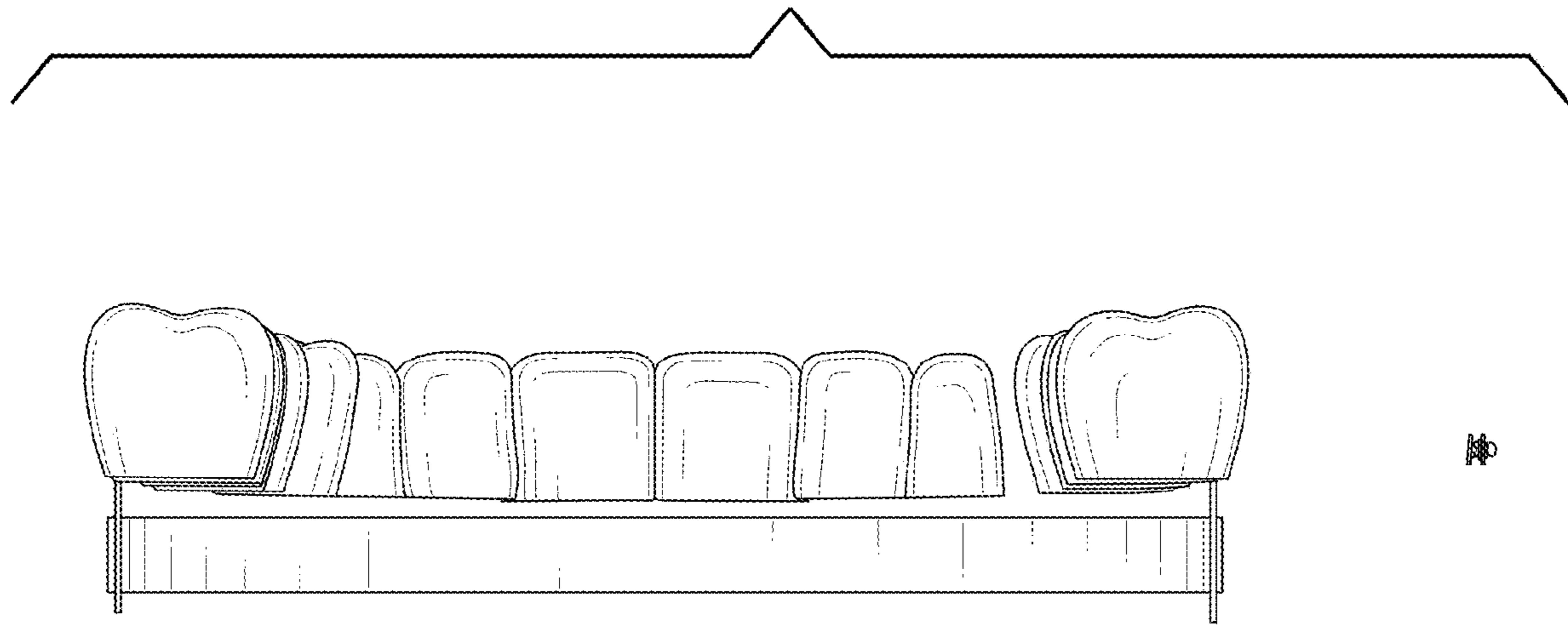


FIG. 4

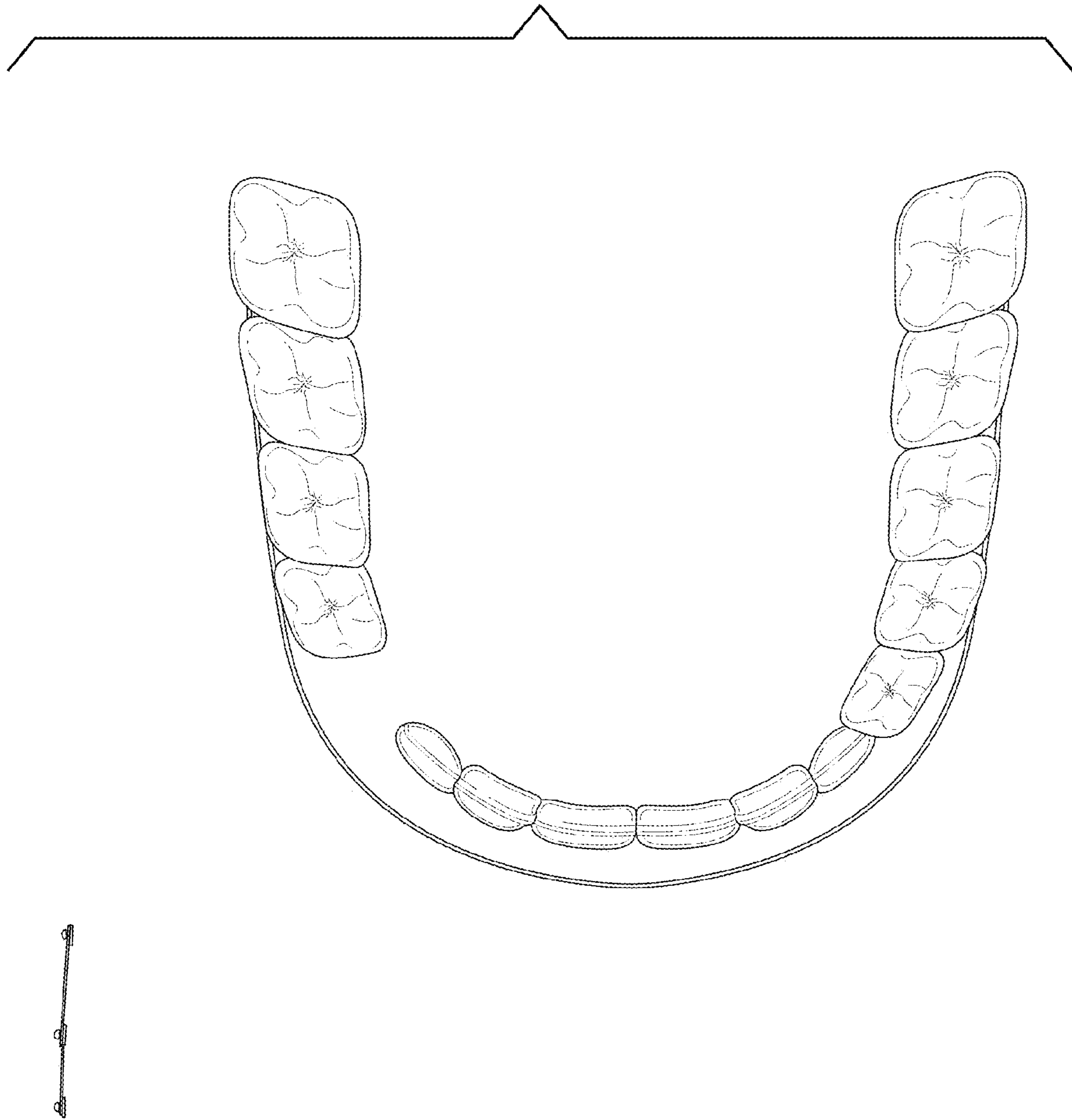


FIG. 5

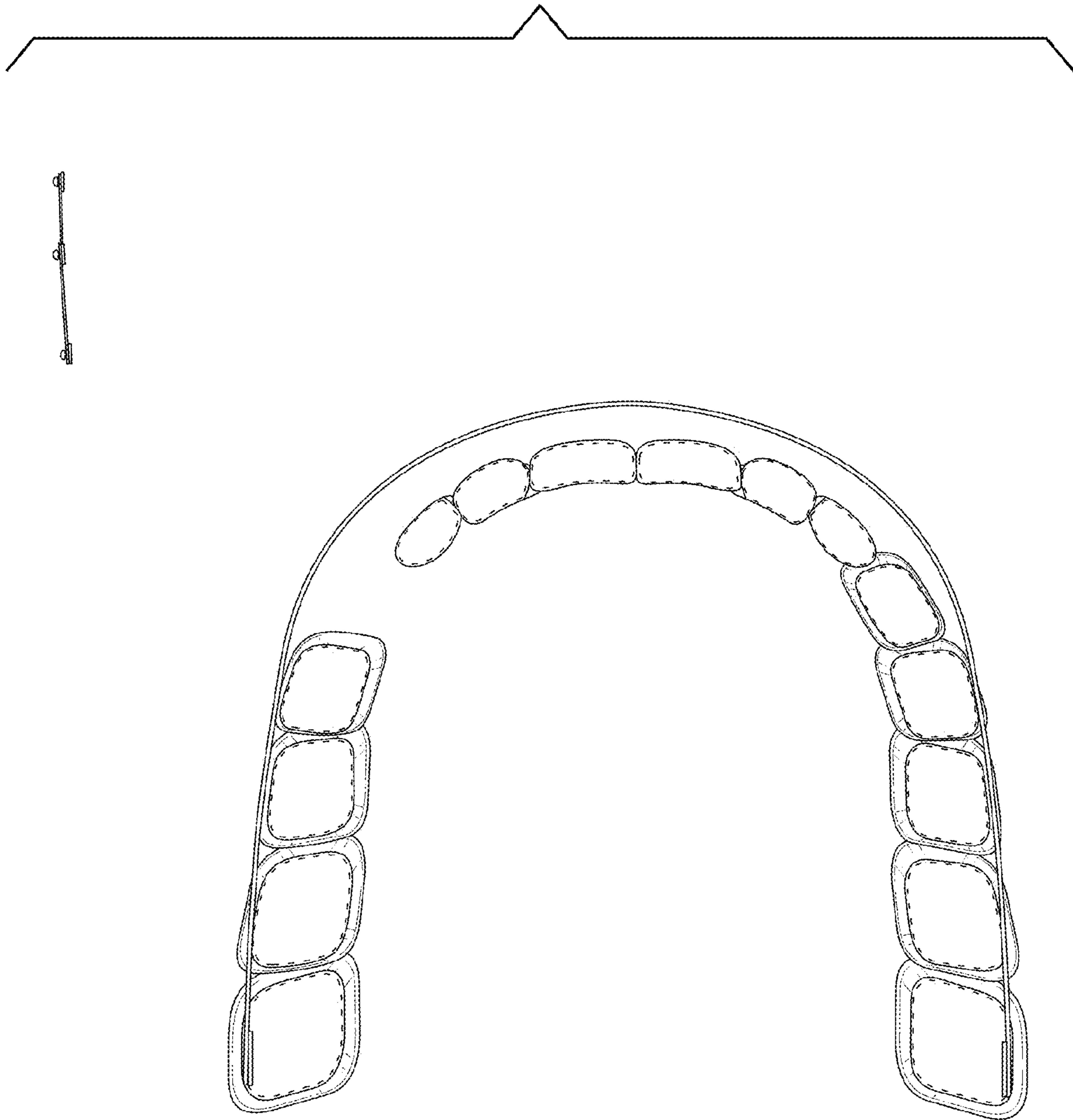


FIG. 6

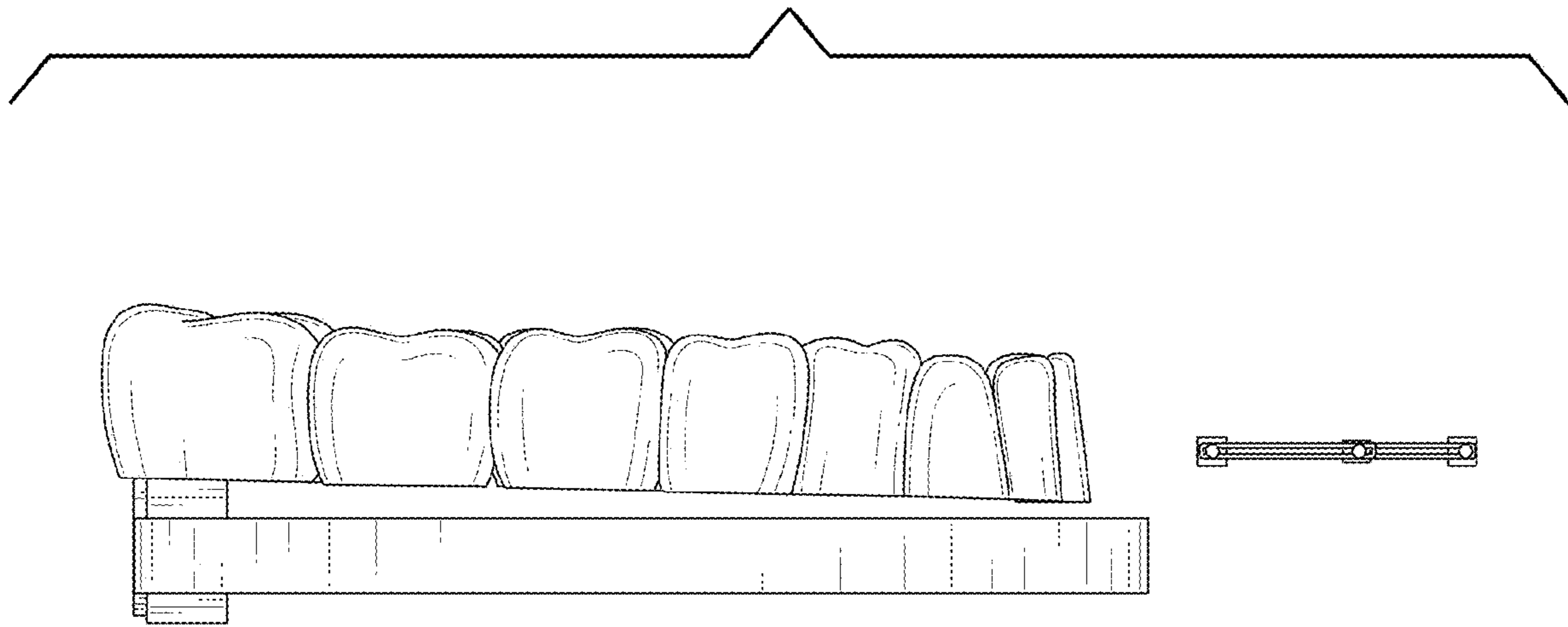


FIG. 7

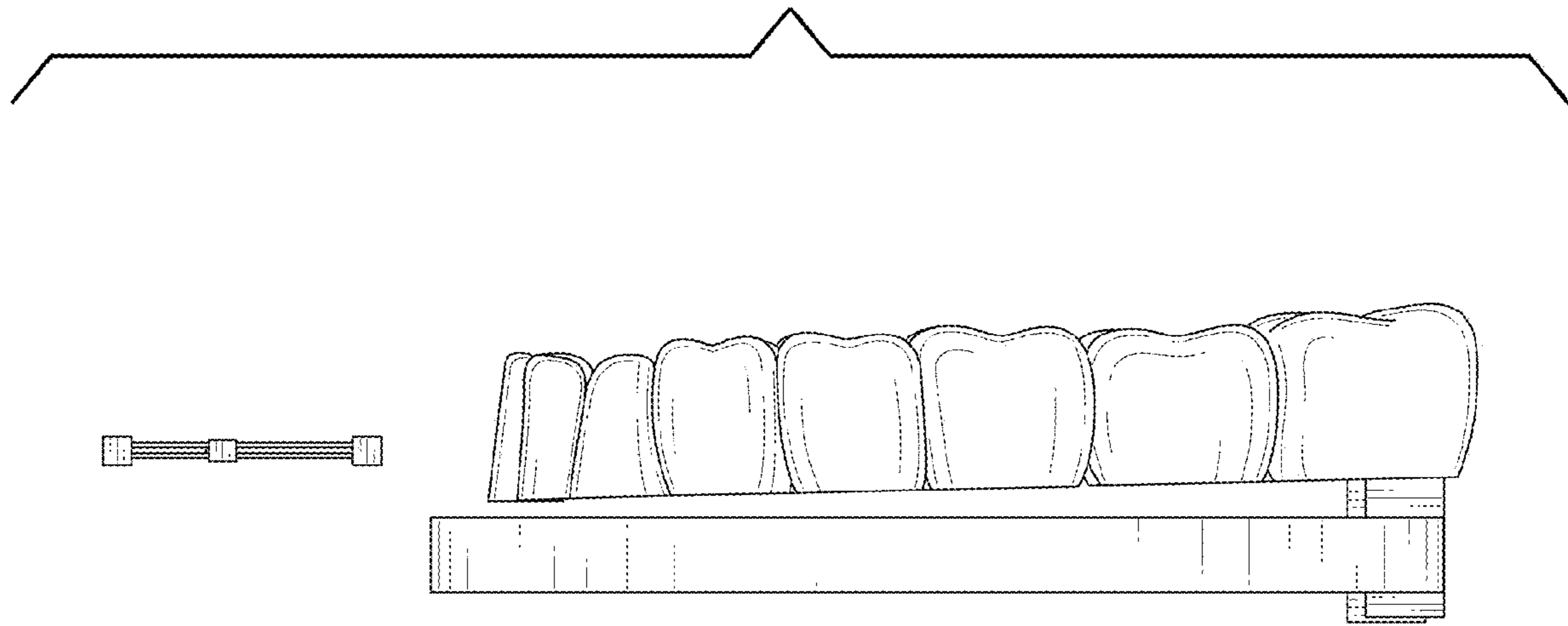


FIG. 8

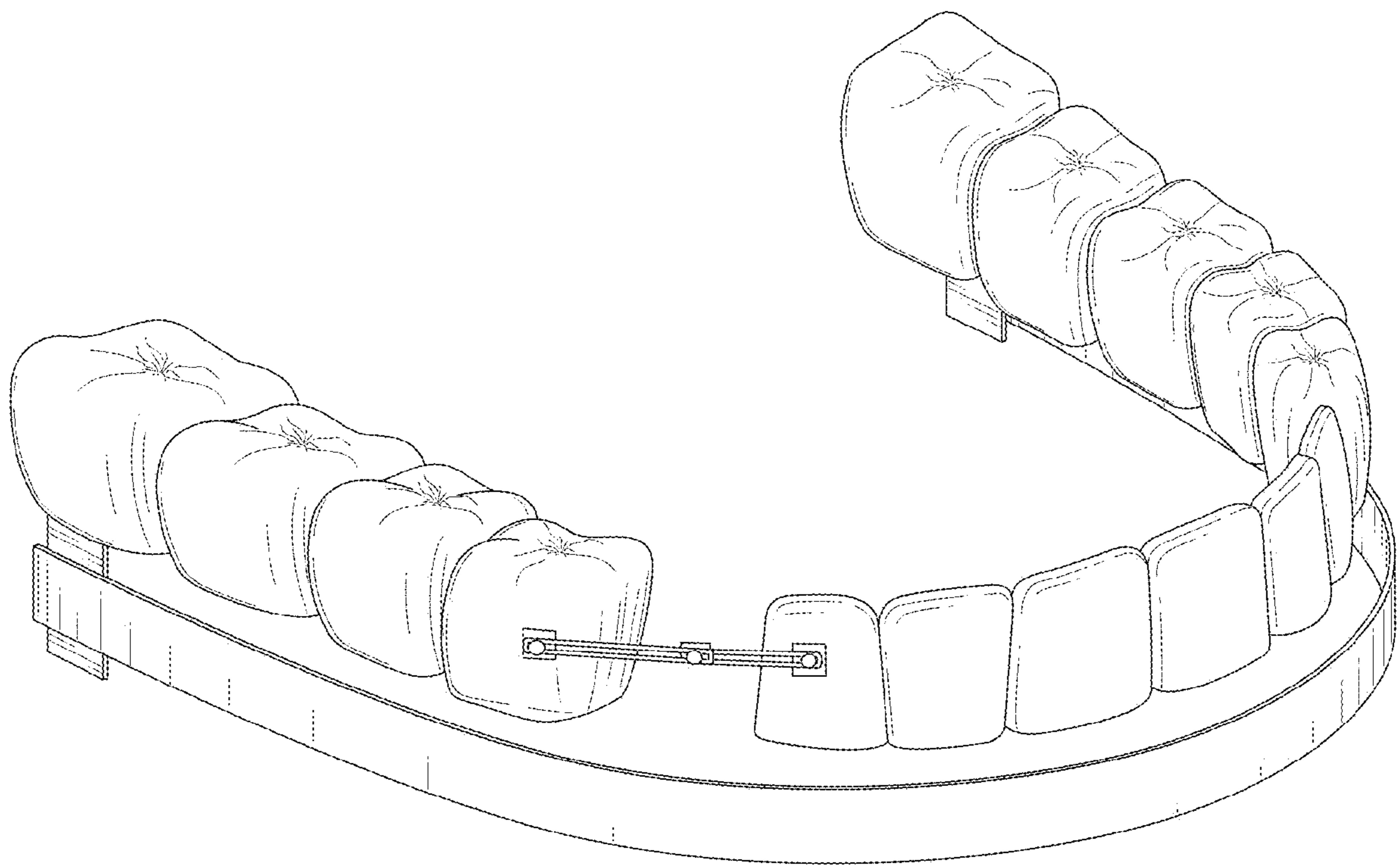


FIG. 9

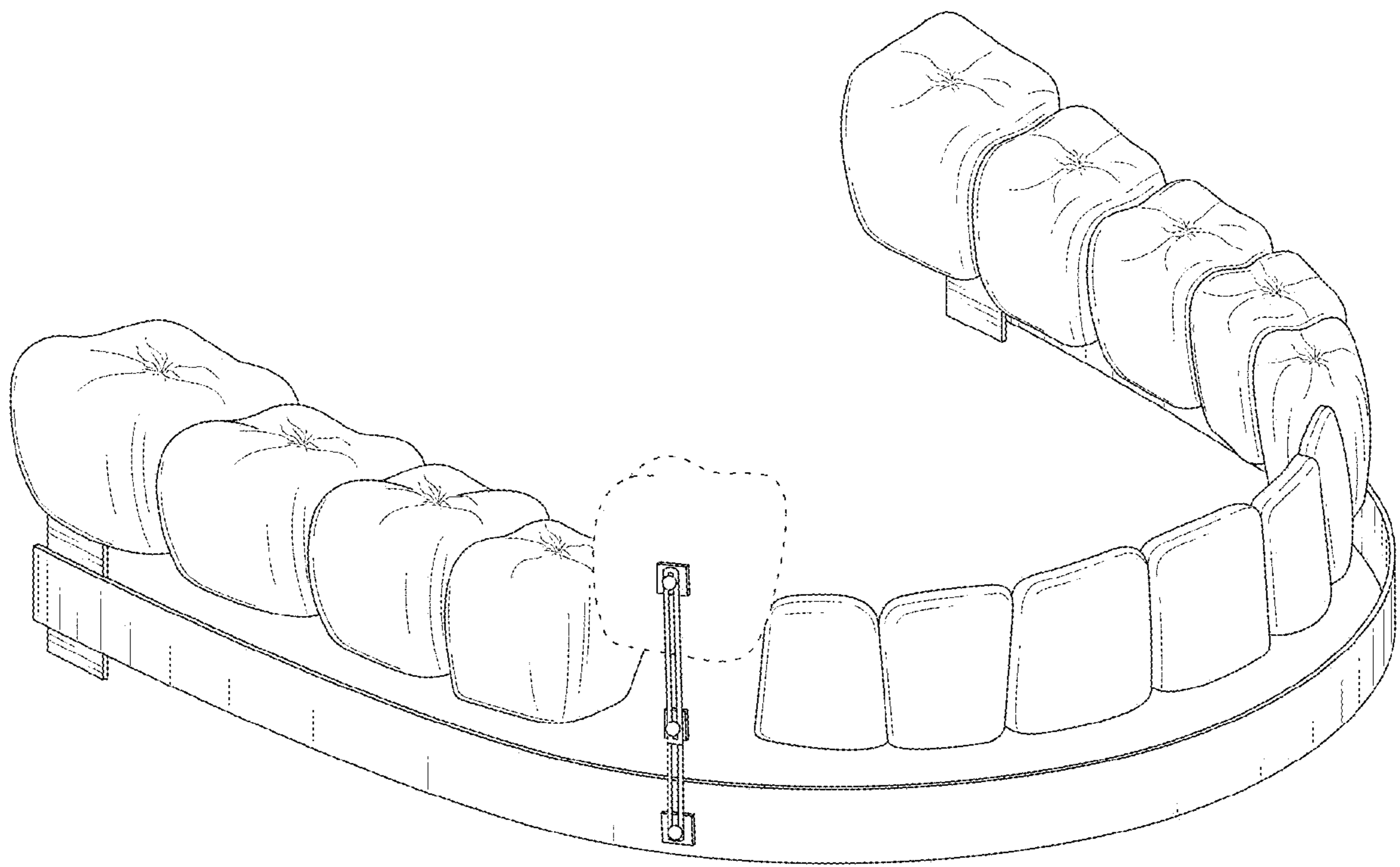


FIG. 10

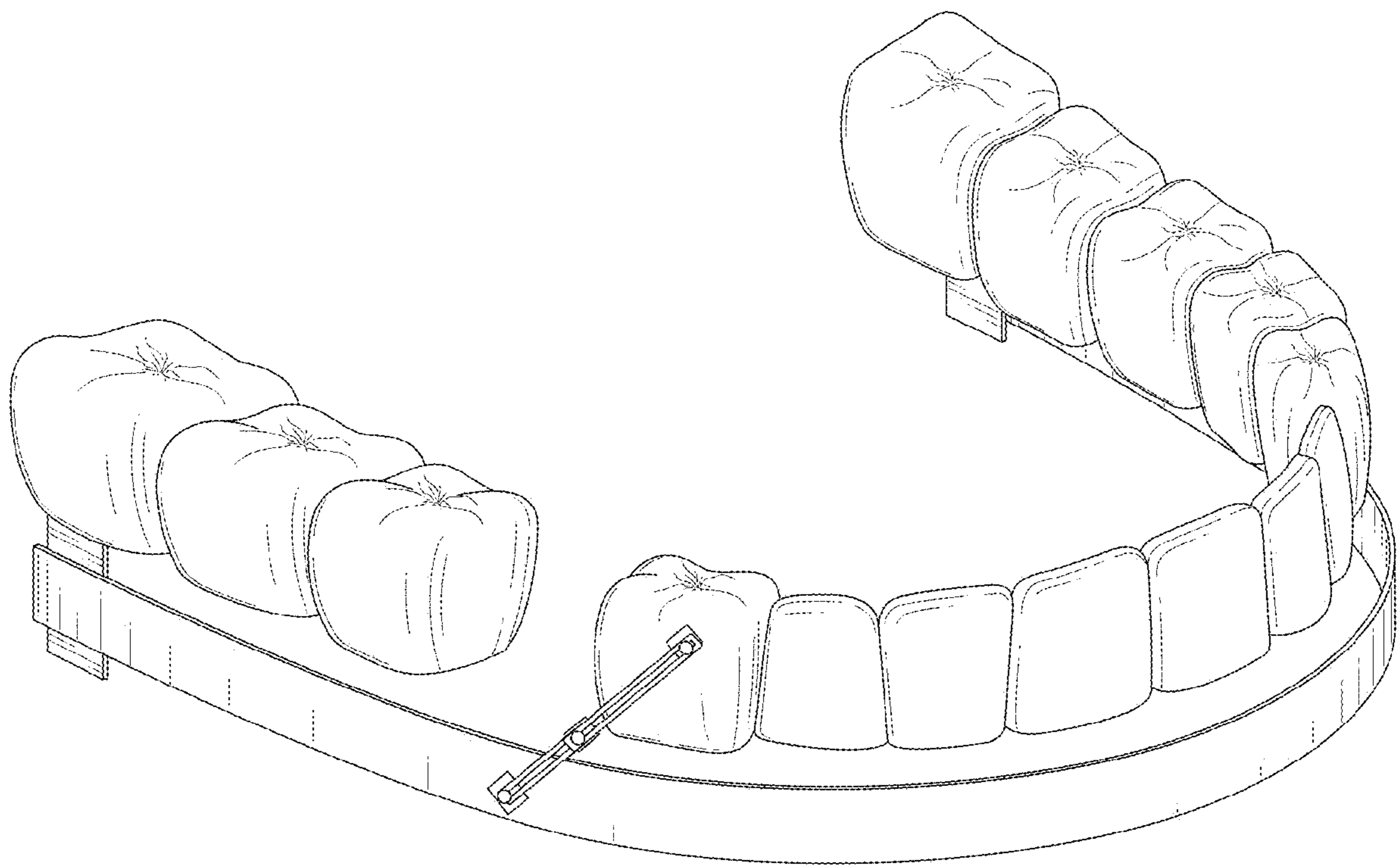


FIG. 11

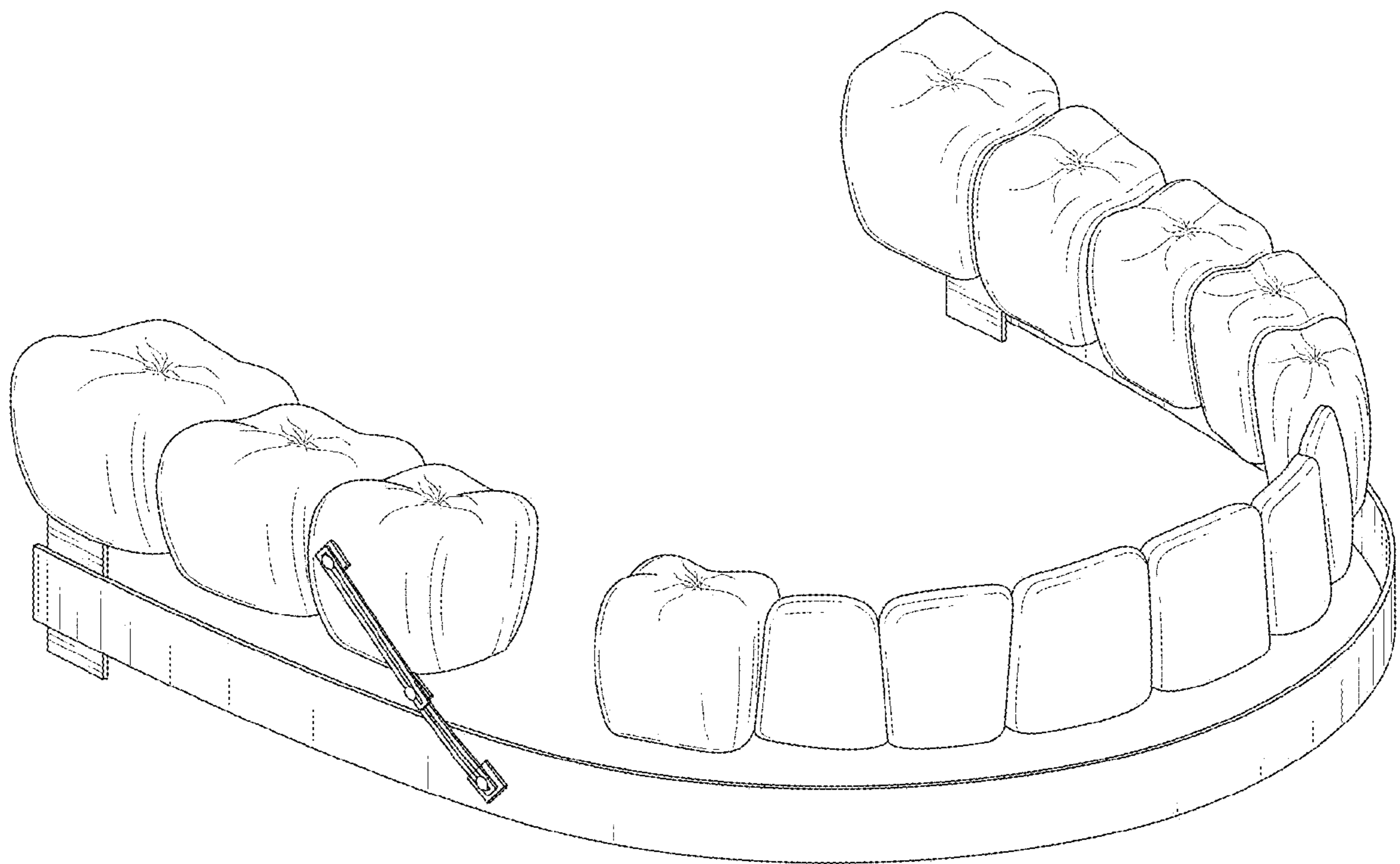


FIG. 12