



US00D980983S

(12) **United States Design Patent** (10) **Patent No.:** **US D980,983 S**  
**Schuler et al.** (45) **Date of Patent:** **\*\* Mar. 14, 2023**

(54) **MEDICAL INSTRUMENT FOR EYE SURGICAL PURPOSES**

(71) Applicant: **OERTLI-INSTRUMENTE AG,**  
Berneck (CH)

(72) Inventors: **Bettina Schuler,** Näfels (CH); **Lothar Knünz,** Rankweil (AT); **Sandro Schultz,** Berneck (CH)

(73) Assignee: **OERTLI-INSTRUMENTE AG,**  
Berneck (CH)

(\*\*) Term: **15 Years**

(21) Appl. No.: **29/766,030**

(22) Filed: **Jan. 13, 2021**

D267,536 S	1/1983	Findlay	
D302,722 S	8/1989	Baxter	
D304,232 S	* 10/1989	Fuller	..... D24/164
D304,973 S	12/1989	Baxter	
D307,052 S	4/1990	Baxter	
D309,241 S	7/1990	Ayyoubi	
D310,172 S	8/1990	Parker	
D320,452 S	10/1991	Carchidi	
D323,212 S	1/1992	Crawford	
D350,143 S	8/1994	Zimmerman	
D352,428 S	11/1994	Waldmyer	
D541,116 S	* 4/2007	Upham	..... D7/700
D559,397 S	1/2008	Eriksson	
D560,106 S	1/2008	Curtin	
D608,013 S	1/2010	Coulling	
D669,750 S	* 10/2012	Lee	..... D7/700
D746,452 S	12/2015	Petrova	
D770,315 S	11/2016	Katsumoto	
D772,025 S	* 11/2016	Salzl	..... D7/700
D806,486 S	* 1/2018	Lopez	..... D7/700

(Continued)

**Related U.S. Application Data**

(62) Division of application No. 35/508,285, filed on Jun. 28, 2019 (U.S. filing date under 35 U.S.C. 384), and having an international filing date of Jun. 28, 2019, now Pat. No. Des. 920,519.

(51) **LOC (14) Cl.** ..... **24-02**

(52) **U.S. Cl.**  
USPC ..... **D24/172**

(58) **Field of Classification Search**  
USPC ..... D24/121, 141, 172, 224; D7/700  
CPC .. A61F 9/00736; A61F 9/0017; A61M 5/2053  
See application file for complete search history.

(56) **References Cited**

**U.S. PATENT DOCUMENTS**

D218,773 S	*	9/1970	Sitts	.....	D7/700
D234,123 S	*	1/1975	Ragagli	.....	D7/700
D242,489 S	*	11/1976	Burroughs	.....	D7/700
D263,715 S	*	4/1982	Walter	.....	D7/700

*Primary Examiner* — Calvin E Vansant

(74) *Attorney, Agent, or Firm* — Sughrue Mion, PLLC

(57) **CLAIM**

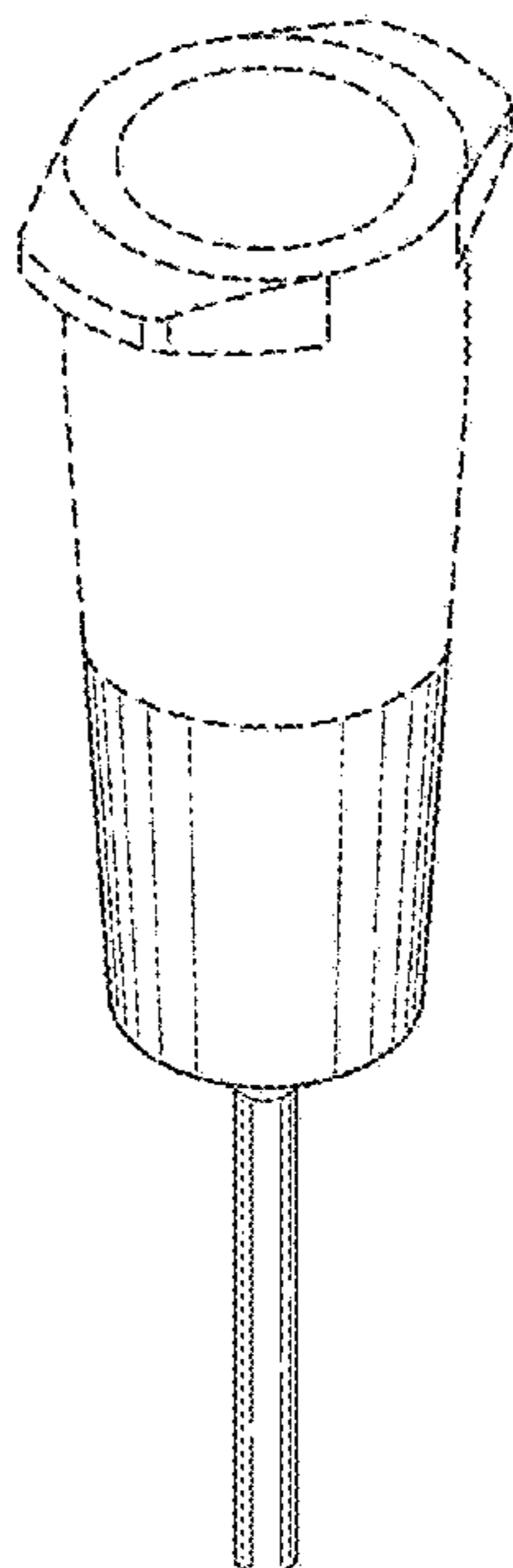
The ornamental design for a medical instrument for eye surgical purposes, as shown and described.

**DESCRIPTION**

FIG. 1 is a perspective view of the medical instrument for eye surgical purposes that we consider to be our invention; FIG. 2 is a front elevation view thereof; FIG. 3 is a back side view thereof; FIG. 4 is a right elevation view thereof; FIG. 5 is a left side view thereof; FIG. 6 is a top view thereof; and, FIG. 7 is a bottom view thereof.

The broken lines depict portions of the medical instrument for eye surgical purposes that form no part of the claim.

**1 Claim, 7 Drawing Sheets**



(56)

**References Cited**

U.S. PATENT DOCUMENTS

D832,438	S	10/2018	Brockway	
D841,808	S	2/2019	Drach	
D894,386	S	8/2020	LeClerc	
D920,519	S *	5/2021	Schultz .....	D24/172
11,015,988	B2 *	5/2021	Nirkhe .....	G01K 11/16
D923,785	S *	6/2021	Tsai .....	A61M 5/31513 D24/141
2003/0216695	A1	11/2003	Yang	
2004/0122367	A1	6/2004	Sculati	
2009/0024136	A1	1/2009	Martin	
2009/0118703	A1	5/2009	Orilla	
2011/0245787	A1	10/2011	Zica	
2013/0041394	A1	2/2013	Ozinga et al.	
2013/0102967	A1	4/2013	Hanlon	
2015/0105734	A1	4/2015	Bryant	
2017/0216092	A1	8/2017	Singh	
2018/0238745	A1	8/2018	Nirkhe	
2022/0072234	A1 *	3/2022	Wegener .....	A61M 5/31513

\* cited by examiner

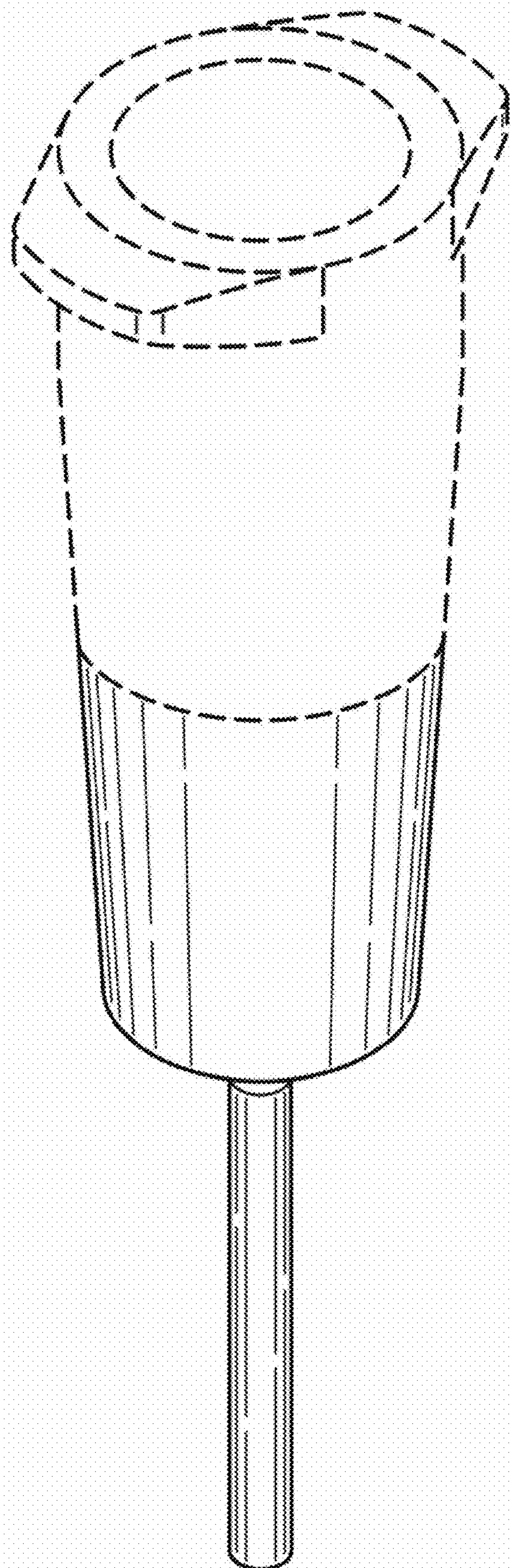
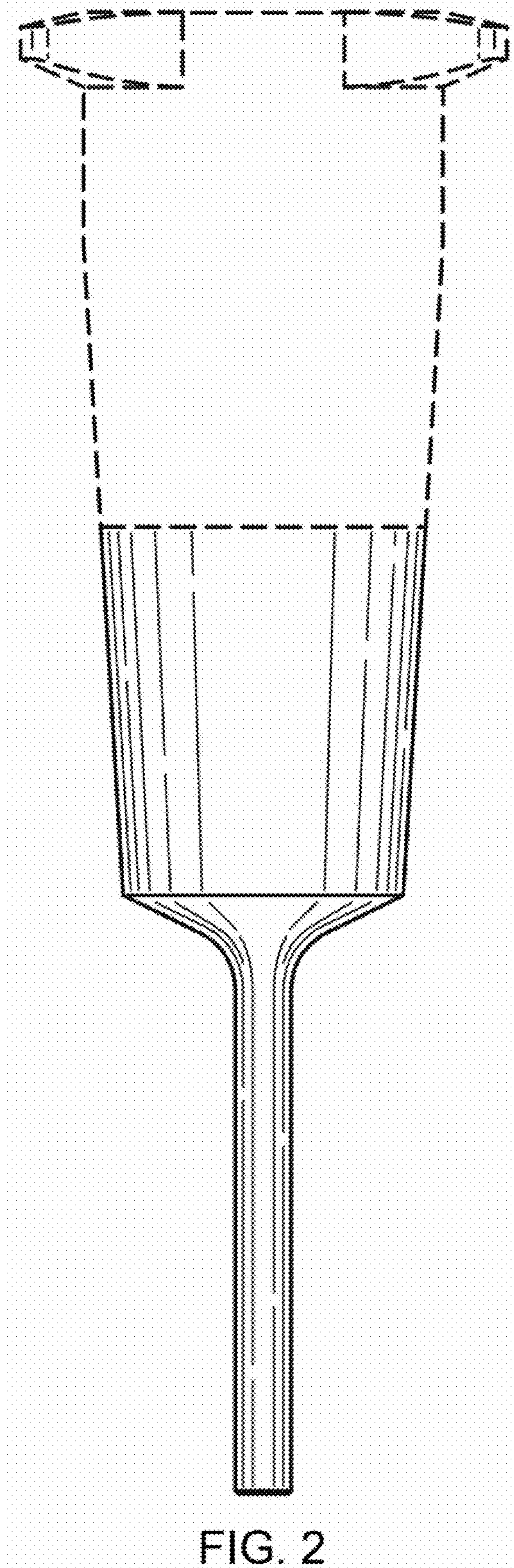


FIG. 1



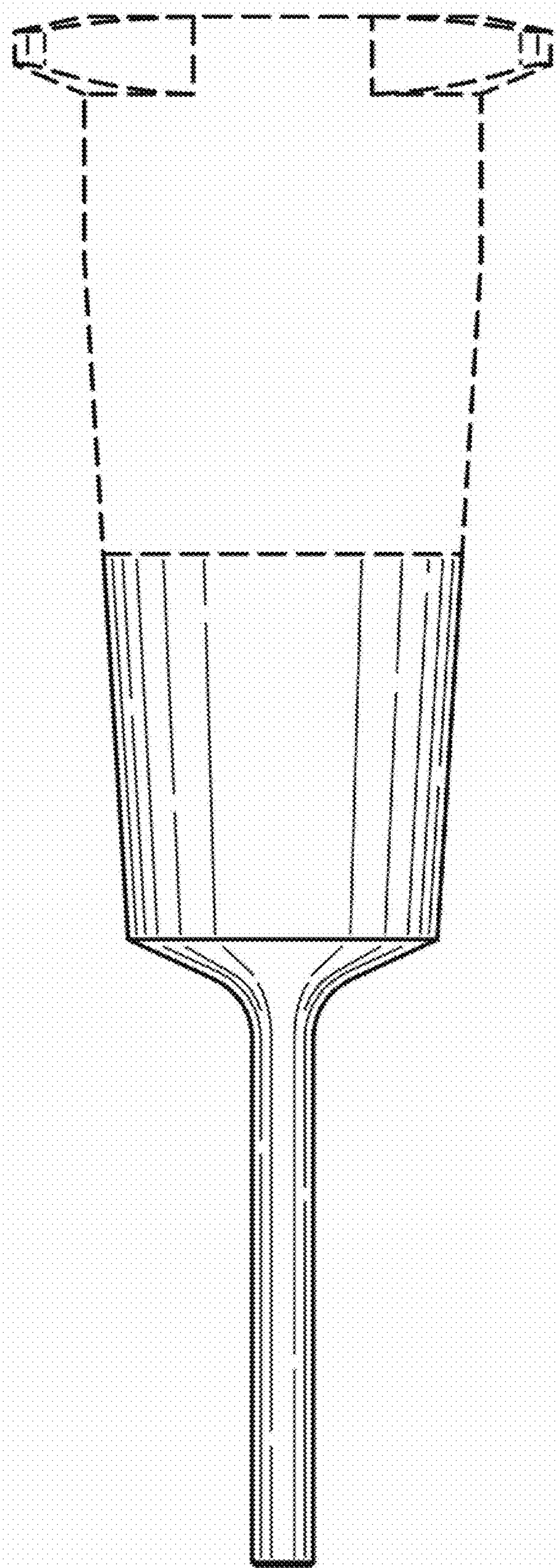


FIG. 3

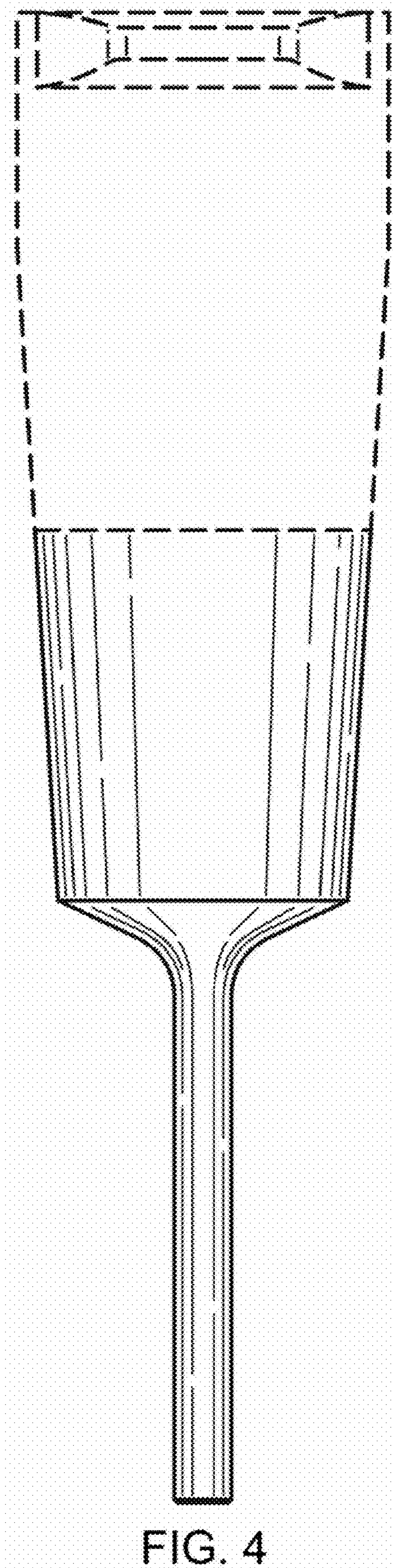


FIG. 4

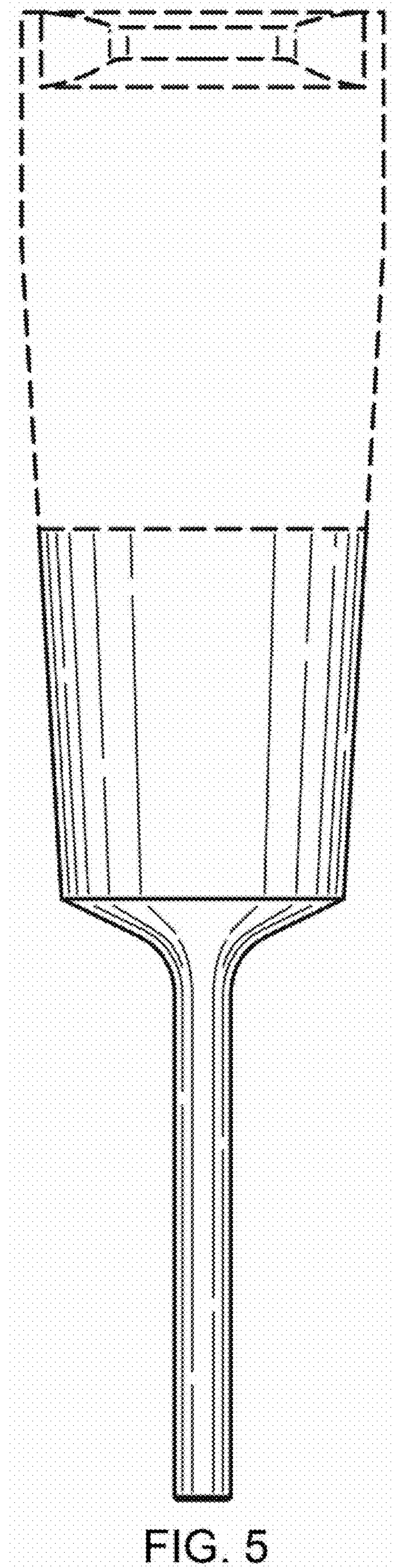


FIG. 5

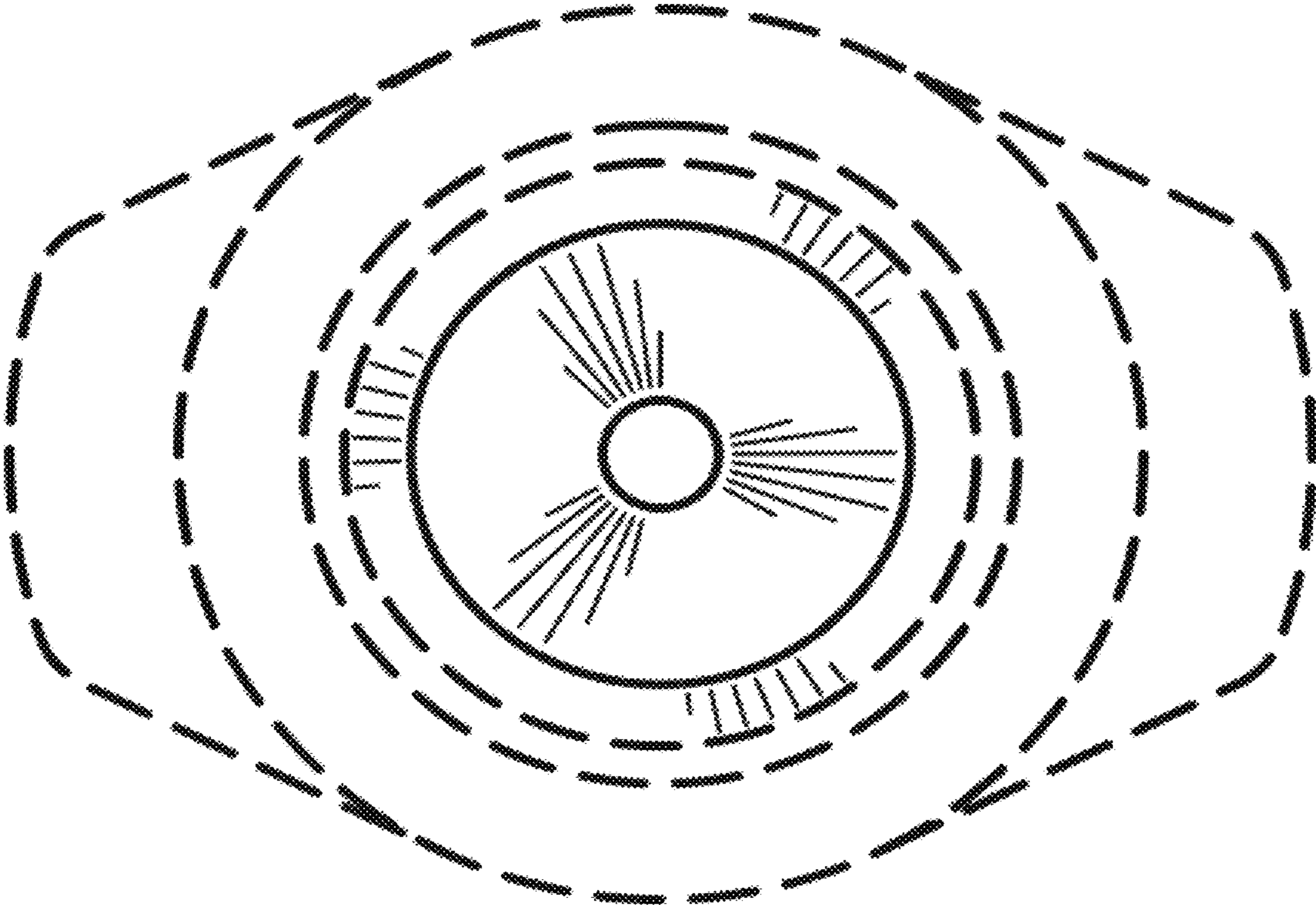


FIG. 6



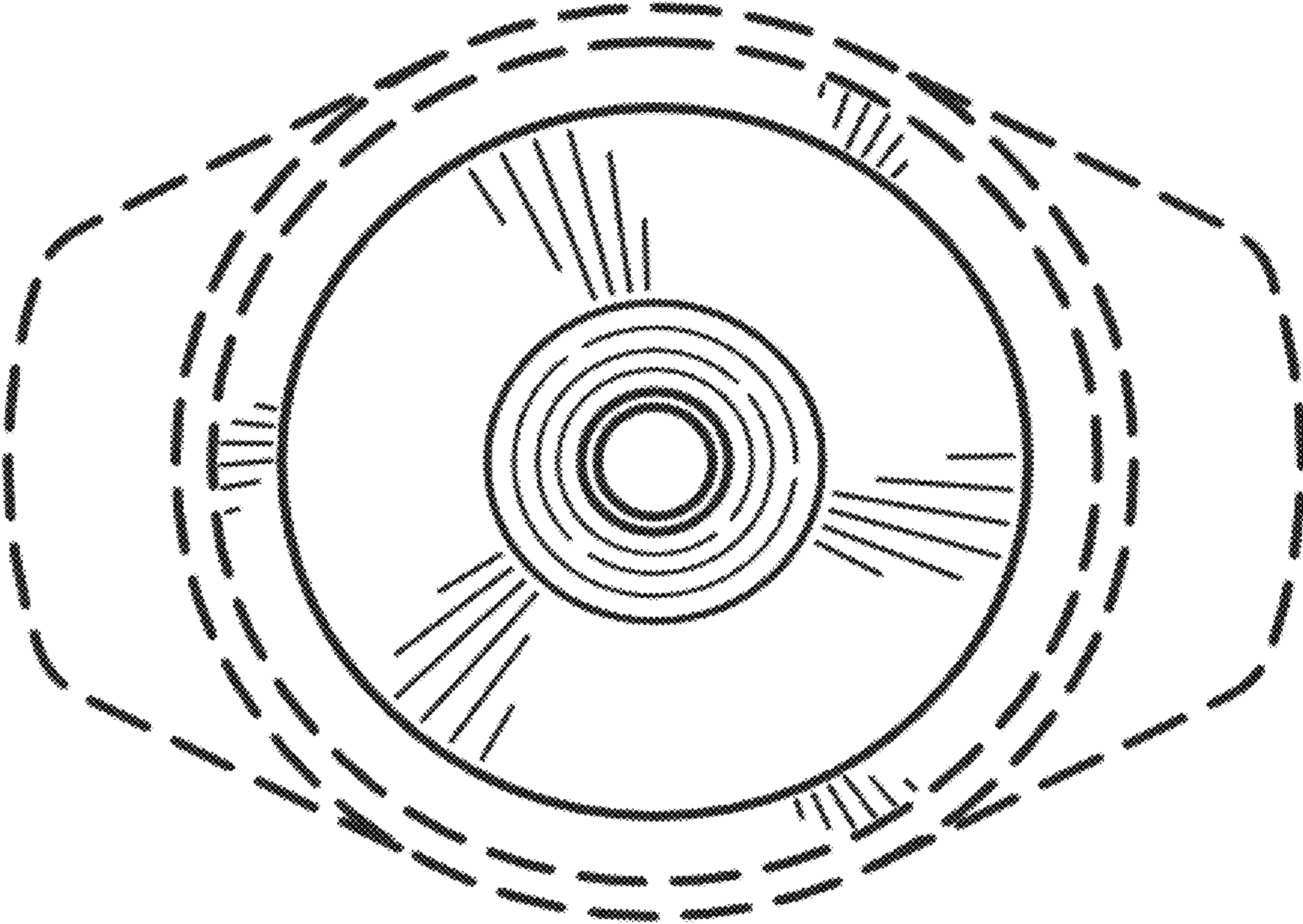


FIG. 7