



US00D980982S

(12) **United States Design Patent**
Yang

(10) **Patent No.:** **US D980,982 S**

(45) **Date of Patent:** **** Mar. 14, 2023**

(54) **OXIMETER**

(71) Applicant: **Yong Yang**, Shenzhen (CN)

(72) Inventor: **Yong Yang**, Shenzhen (CN)

(**) Term: **15 Years**

(21) Appl. No.: **29/797,502**

(22) Filed: **Jun. 30, 2021**

(51) **LOC (14) Cl.** **24-01**

(52) **U.S. Cl.**
USPC **D24/169**

(58) **Field of Classification Search**
USPC D24/107, 164–169, 185–187; D10/98;
D14/344
CPC A61B 5/0205; A61B 5/02427; A61B
5/02438; A61B 5/14552; A61B 5/6626;
A61B 5/6638; G01N 33/66; G01N 33/49;
G01N 33/493

See application file for complete search history.

(56) **References Cited**

U.S. PATENT DOCUMENTS

- 6,731,962 B1 * 5/2004 Katarow A61B 5/6826
600/323
- D691,726 S * 10/2013 Jin D24/169
- D893,727 S * 8/2020 Zhao D24/165
- D893,728 S * 8/2020 Zhao D24/165
- D903,872 S * 12/2020 Wang D24/169

- D922,582 S * 6/2021 Peng D24/165
- D925,741 S * 7/2021 Zhang D24/165
- D925,742 S * 7/2021 Zhang D24/165
- D926,324 S * 7/2021 Zhang D24/169
- 2010/0317944 A1 * 12/2010 Wang A61B 5/6826
600/323

FOREIGN PATENT DOCUMENTS

EM 007158118-0001 * 11/2019

* cited by examiner

Primary Examiner — Anhdao Doan

(57) **CLAIM**

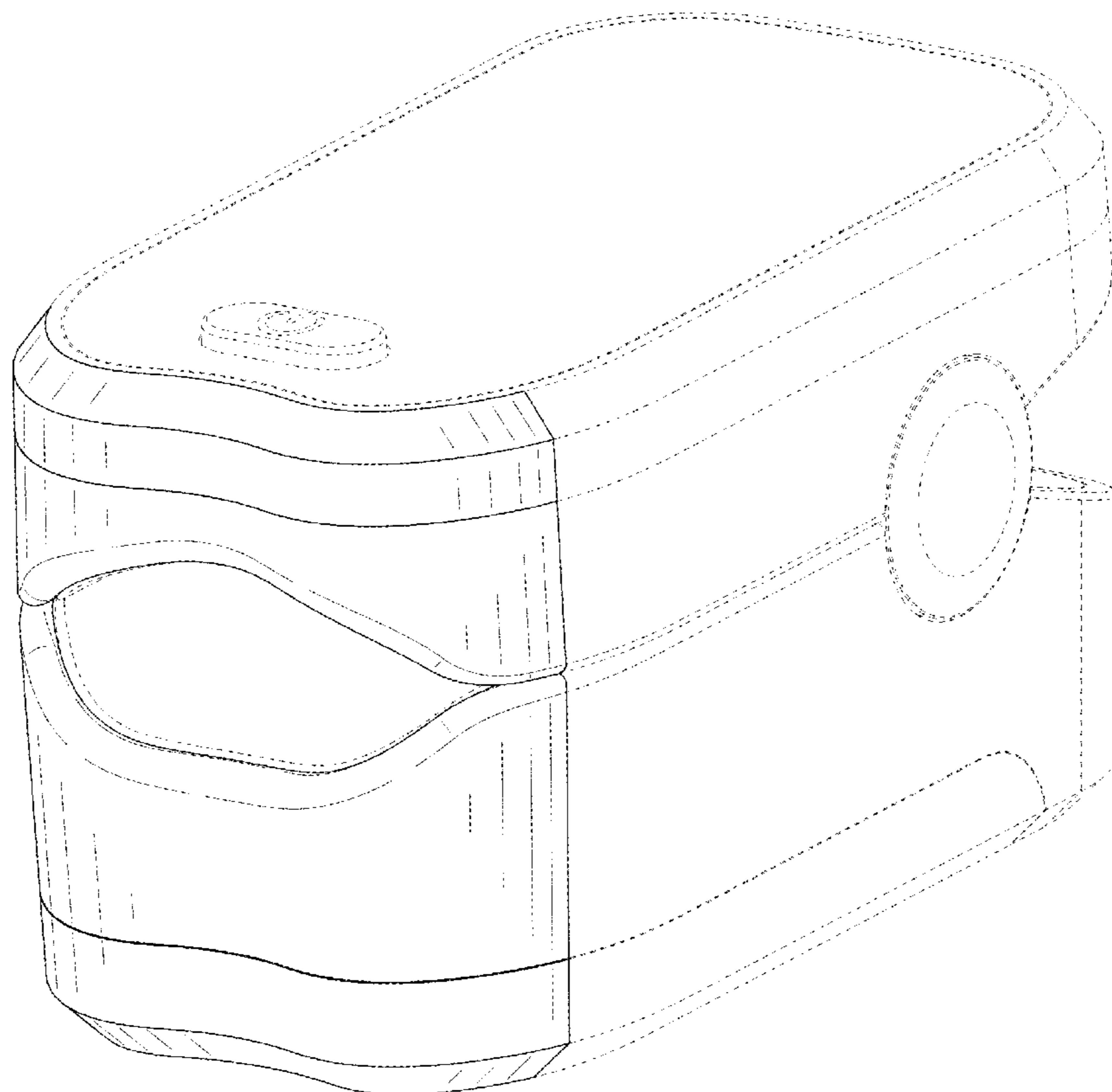
The ornamental design for an oximeter, as shown and described.

DESCRIPTION

FIG. 1 is a first perspective view of an oximeter showing the claimed design in accordance with the present disclosure; FIG. 2 is a second perspective view thereof; FIG. 3 is a front elevational view thereof; FIG. 4 is a rear elevational view thereof; FIG. 5 is a left side elevational view thereof; FIG. 6 is a right side elevational view thereof; FIG. 7 is a top plan view thereof; and, FIG. 8 is a bottom plan view thereof.

The broken lines in the Figures are for the purpose of illustrating portions of the article that form no part of the claimed design.

1 Claim, 8 Drawing Sheets



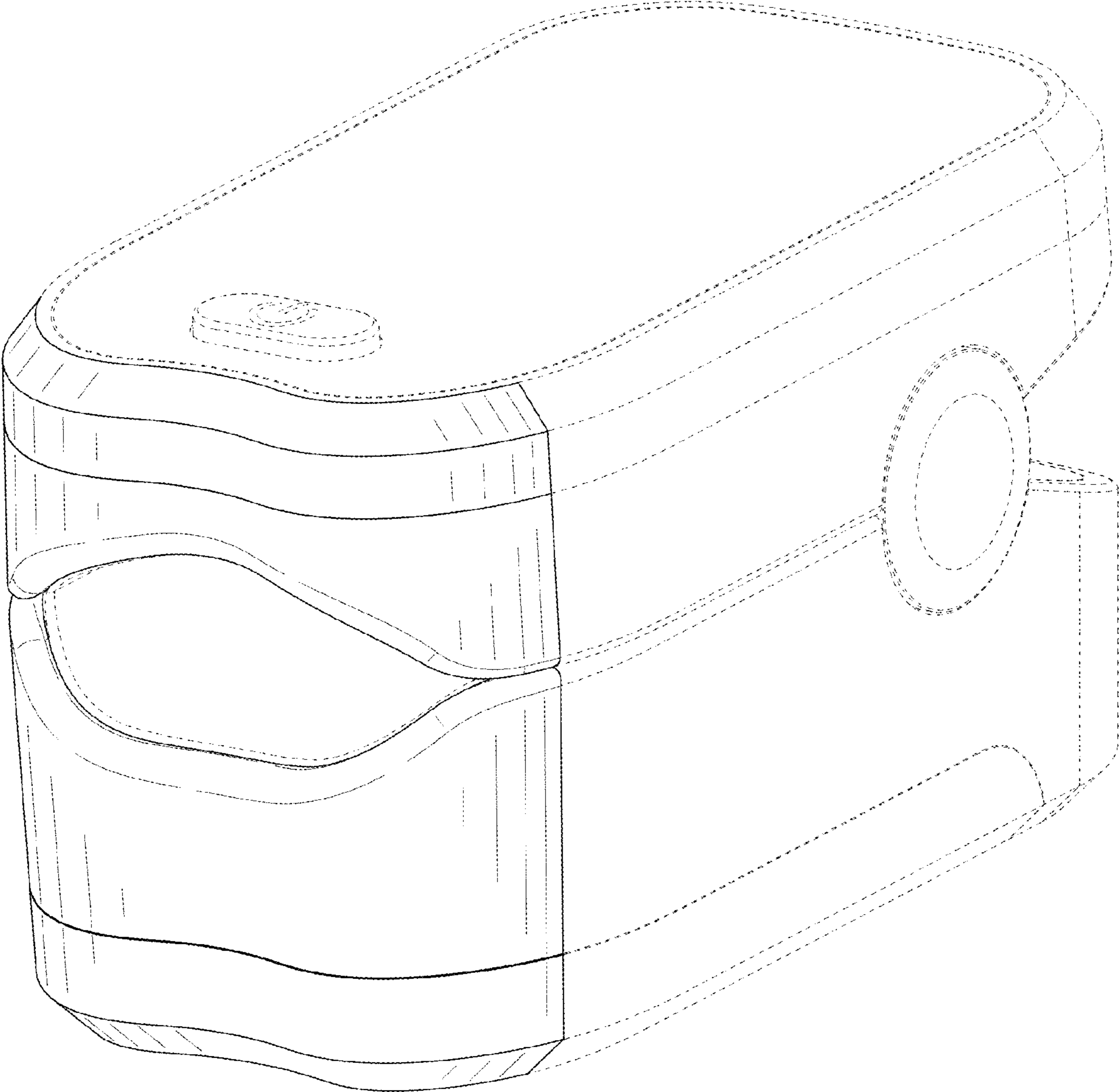


FIG. 1

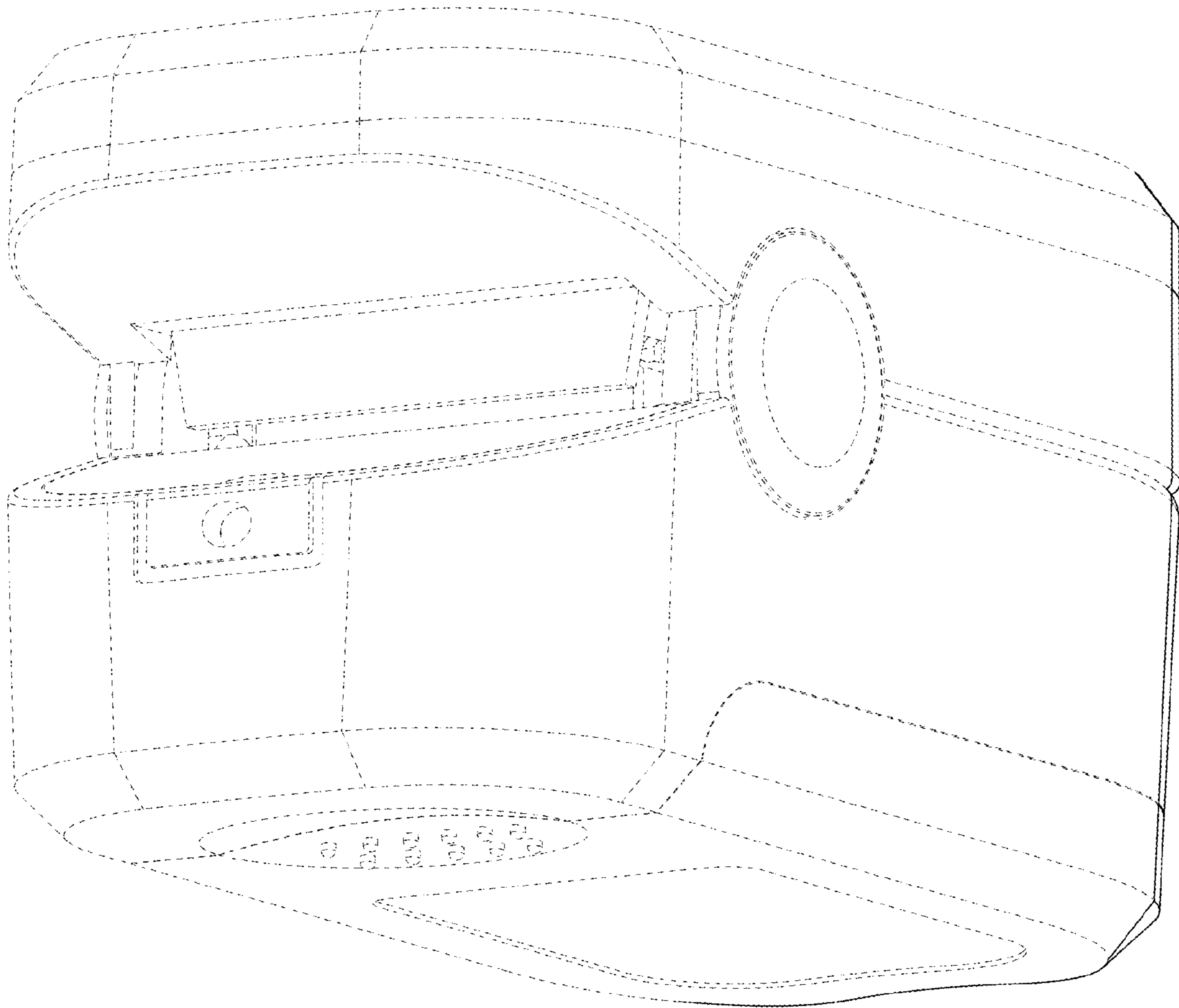


FIG. 2

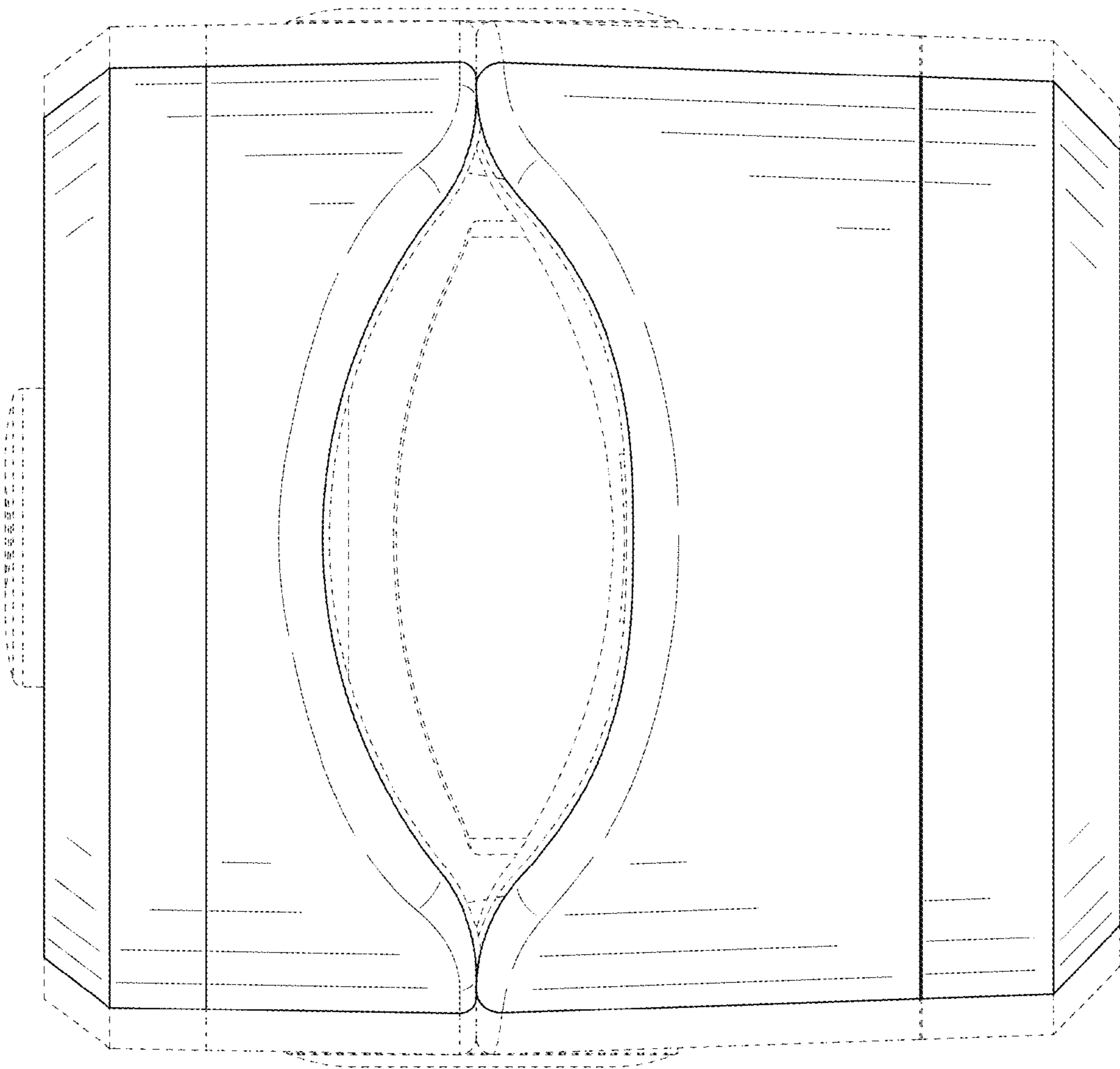


FIG. 3

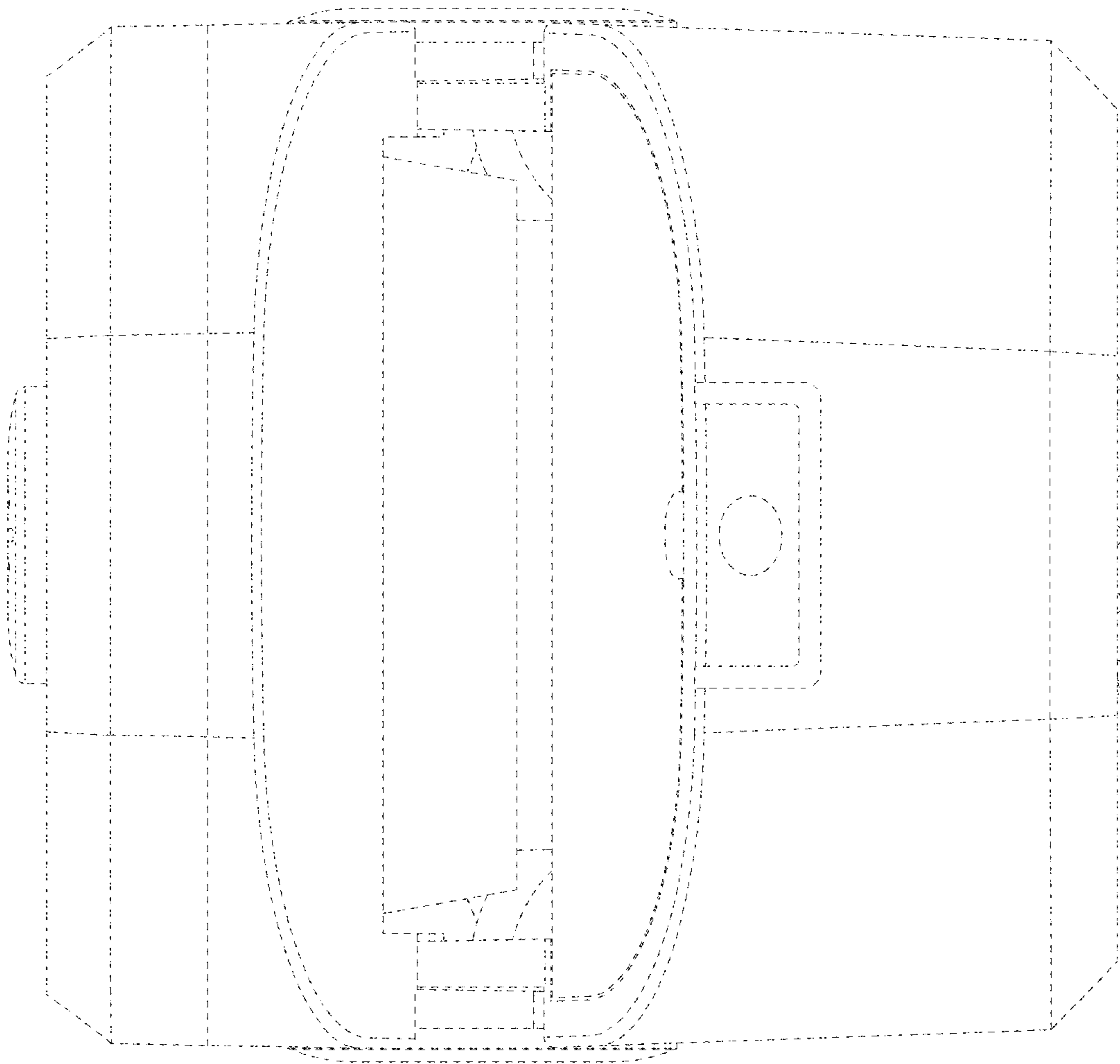


FIG. 4

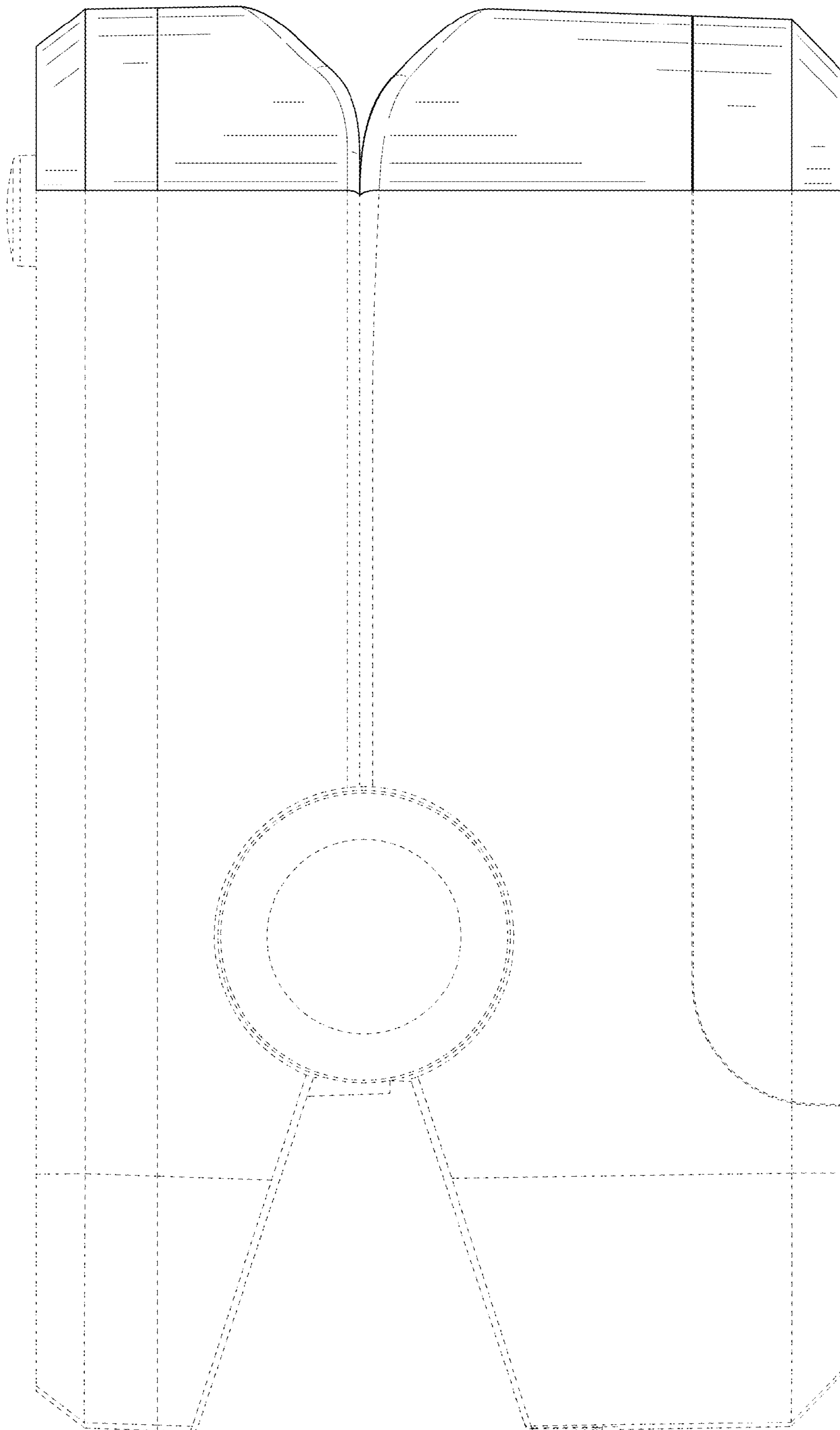


FIG. 5

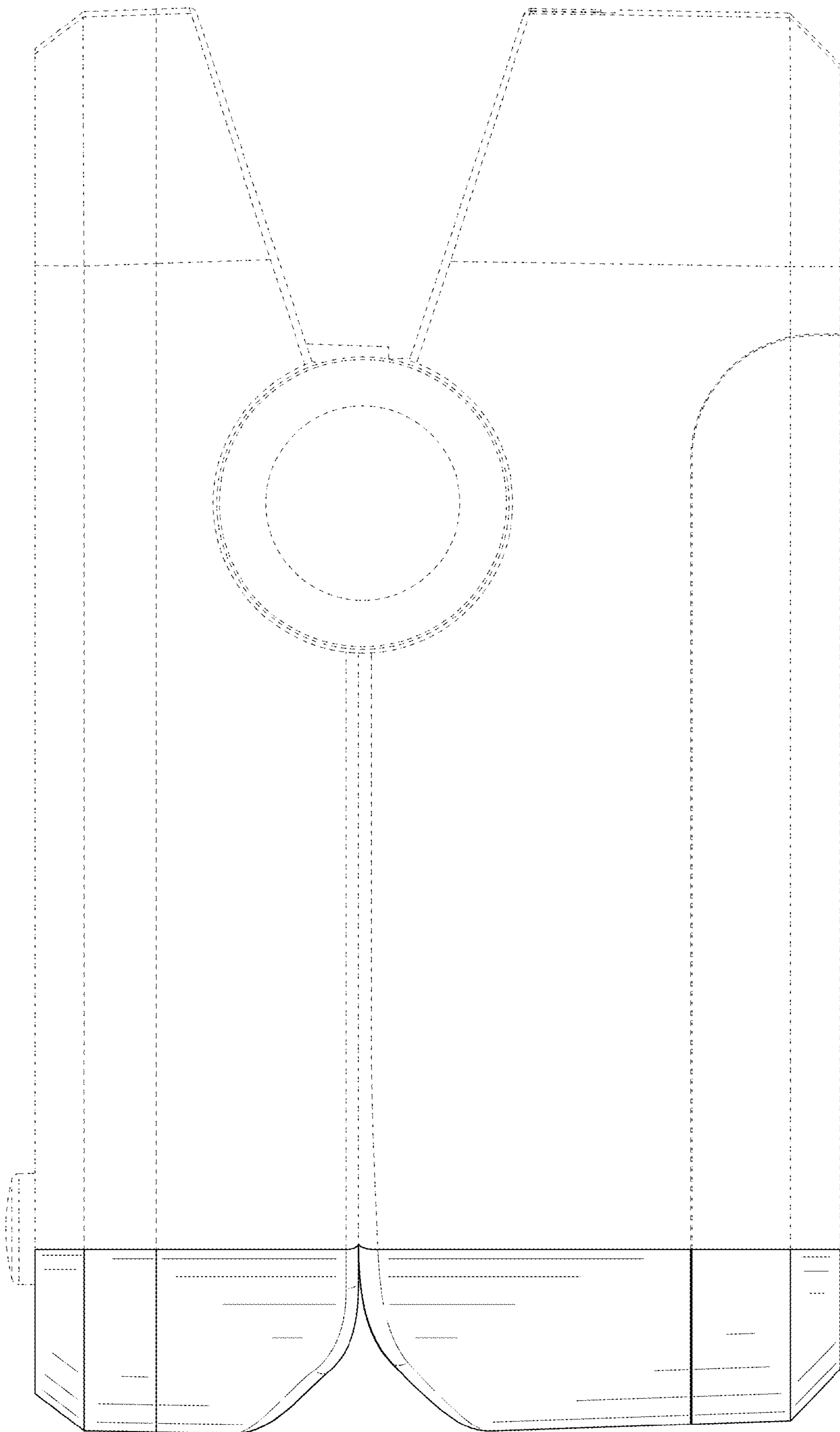


FIG. 6

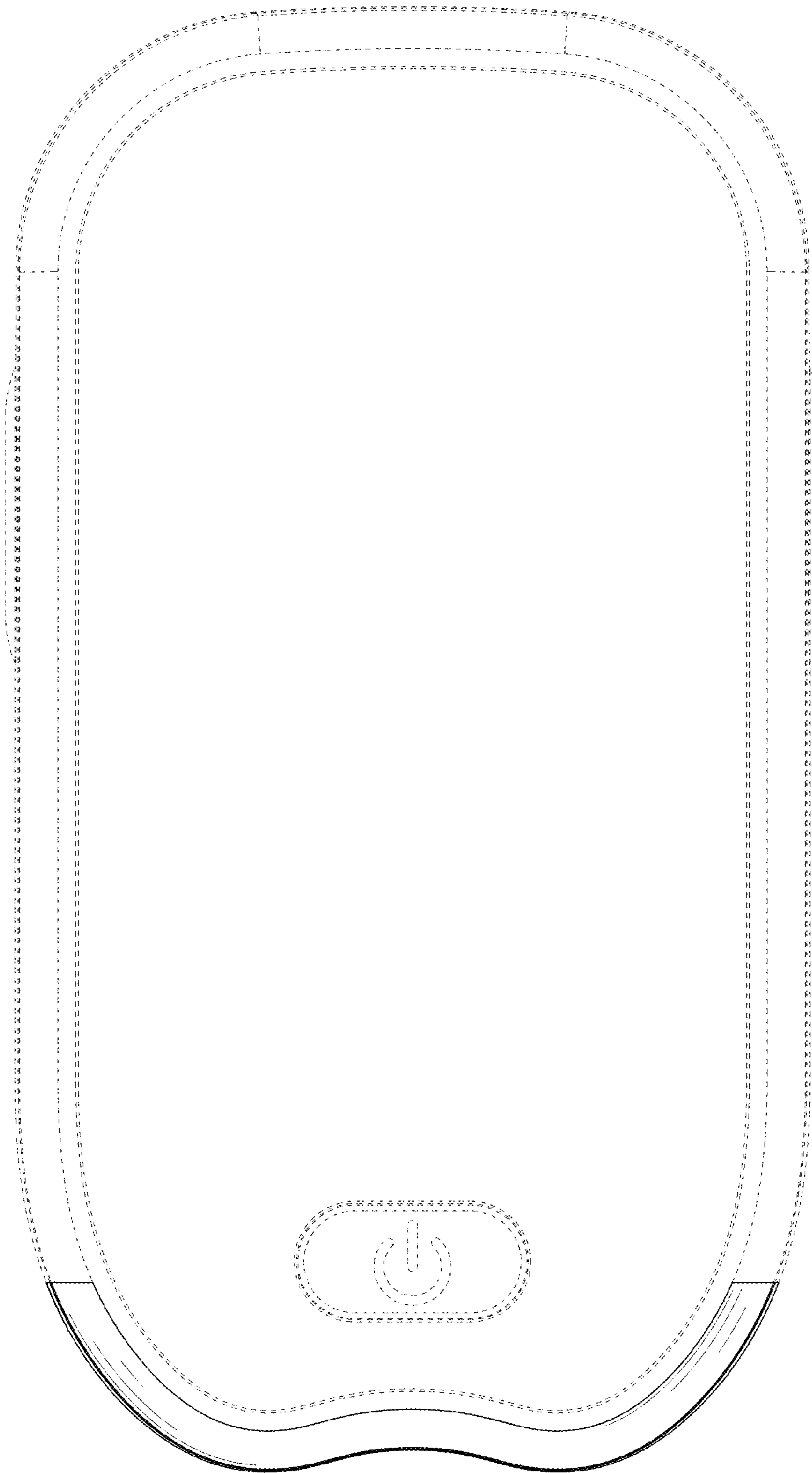


FIG. 7

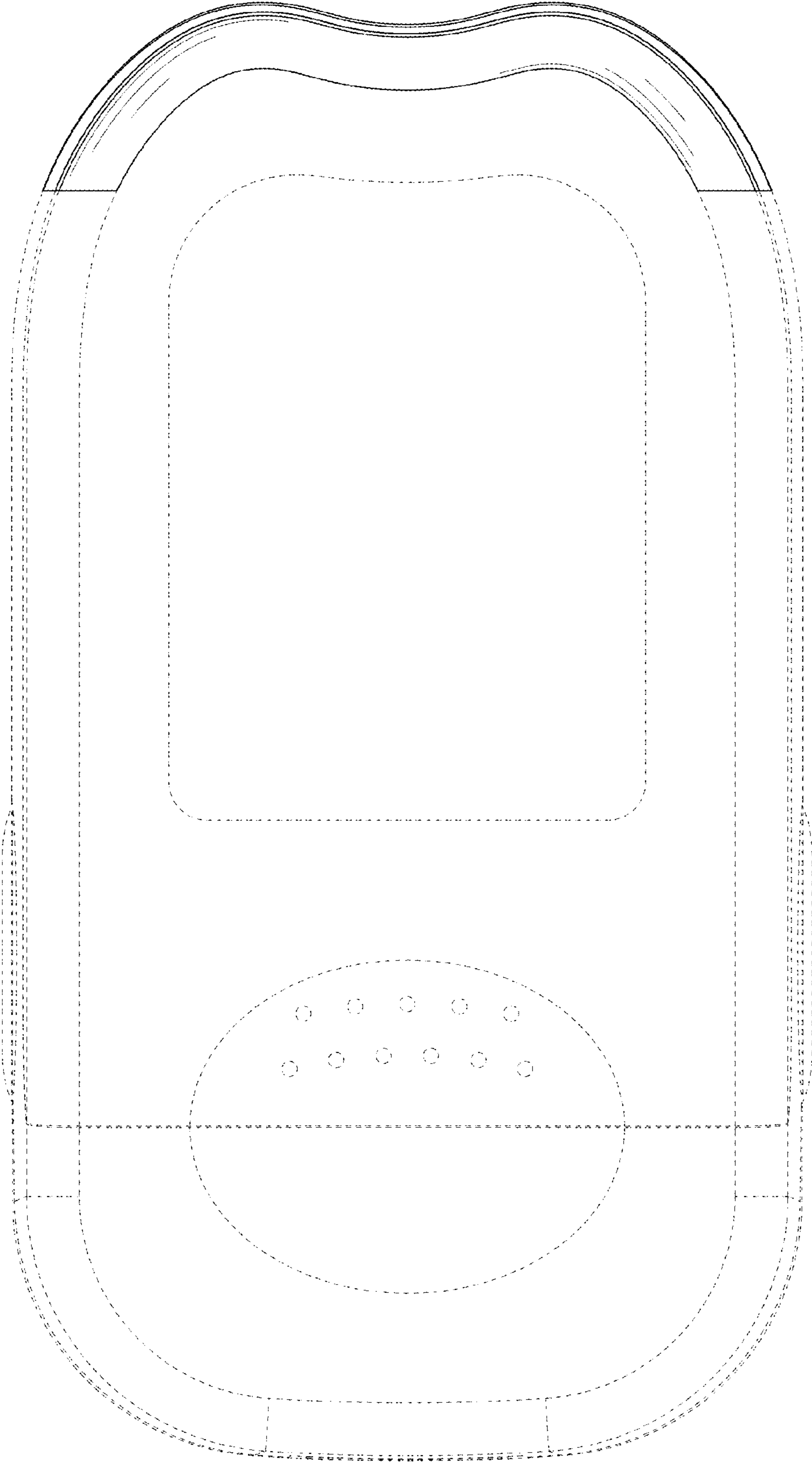


FIG. 8