



US00D980981S

(12) **United States Design Patent**  
**Nacev et al.**

(10) **Patent No.:** **US D980,981 S**  
(45) **Date of Patent:** **\*\* Mar. 14, 2023**

- (54) **ANALYTICAL DEVICE**
- (71) Applicant: **PROMAXO, INC.**, Oakland, CA (US)
- (72) Inventors: **Aleksandar Nacev**, San Francisco, CA (US); **Amit Vohra**, Rocklin, CA (US); **Ryan Hilaman**, San Francisco, CA (US); **Said Ijanaten**, Woodbridge, VA (US)
- (73) Assignee: **Promaxo, Inc.**, Oakland, CA (US)
- (\*\*) Term: **15 Years**
- (21) Appl. No.: **29/790,895**
- (22) Filed: **Dec. 20, 2021**

D639,948 S	6/2011	Personnelli	
D658,294 S	4/2012	Awad	
D665,911 S	8/2012	Laukkanen et al.	
D726,917 S	4/2015	Kim	
D742,523 S	11/2015	Sul	
D757,939 S	5/2016	Tsujita et al.	
D783,830 S	4/2017	Baba	
D804,031 S	11/2017	Hsu et al.	
D817,494 S	5/2018	Apetauer et al.	
D857,203 S	8/2019	Kim et al.	
D890,927 S	7/2020	Chong	
D893,725 S	8/2020	You et al.	
D895,803 S *	9/2020	Nacev .....	D24/158
D940,869 S *	1/2022	Guegel-Wild .....	D24/158
D942,012 S *	1/2022	Nacev .....	D24/158
2017/0325763 A1	11/2017	Hoernig et al.	
2018/0252782 A1	9/2018	You et al.	
2022/0155390 A1 *	5/2022	Gomes .....	G01R 33/381

\* cited by examiner

**Related U.S. Application Data**

- (62) Division of application No. 29/744,371, filed on Jul. 28, 2020, now Pat. No. Des. 942,012, which is a division of application No. 29/681,014, filed on Feb. 21, 2019, now Pat. No. Des. 895,803.
- (51) **LOC (14) Cl.** ..... **24-01**
- (52) **U.S. Cl.**  
USPC ..... **D24/158**
- (58) **Field of Classification Search**  
USPC ..... D24/107, 158-160, 185, 186, 183, 184  
CPC ..... G01N 2223/1016; G01N 2223/301; G01N 2223/031; G01N 2223/419; G01N 23/046; A61B 5/055  
See application file for complete search history.

*Primary Examiner* — Anhdao Doan  
(74) *Attorney, Agent, or Firm* — K&L Gates LLP

(57) **CLAIM**

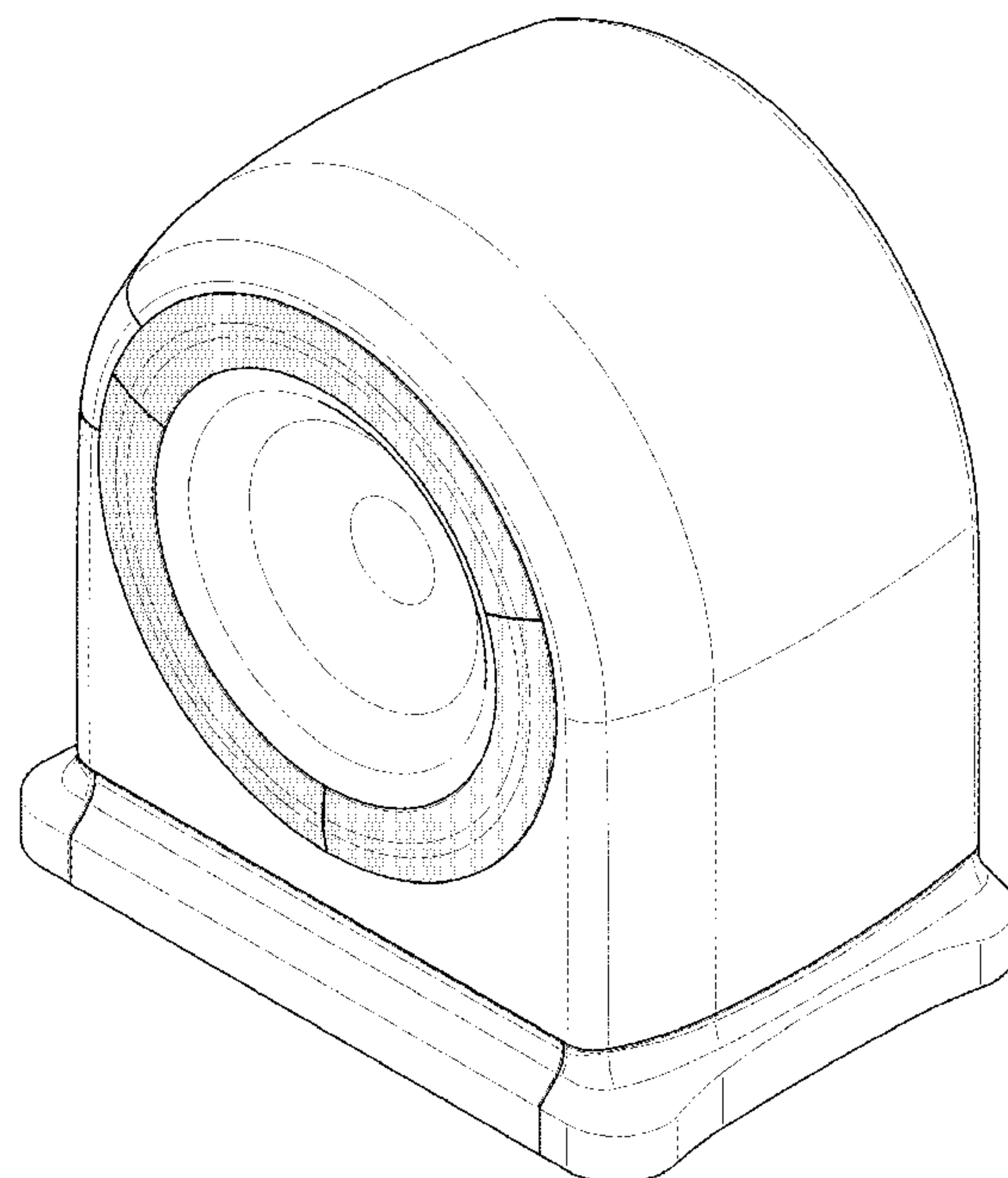
The ornamental design for an analytical device, as shown and described.

**DESCRIPTION**

FIG. 1 is a perspective view of an analytical device.  
FIG. 2 is a front view of the analytical device of FIG. 1.  
FIG. 3 is a back view of the analytical device of FIG. 1.  
FIG. 4 is a side view of the analytical device of FIG. 1.  
FIG. 5 is another side view of the analytical device of FIG. 1.  
FIG. 6 is a top view of the analytical device of FIG. 1; and, FIG. 7 is a bottom view of the analytical device of FIG. 1.

**1 Claim, 7 Drawing Sheets**

- (56) **References Cited**  
U.S. PATENT DOCUMENTS  
D557,418 S 12/2007 Onuma et al.  
D591,862 S 5/2009 Taniguchi et al.



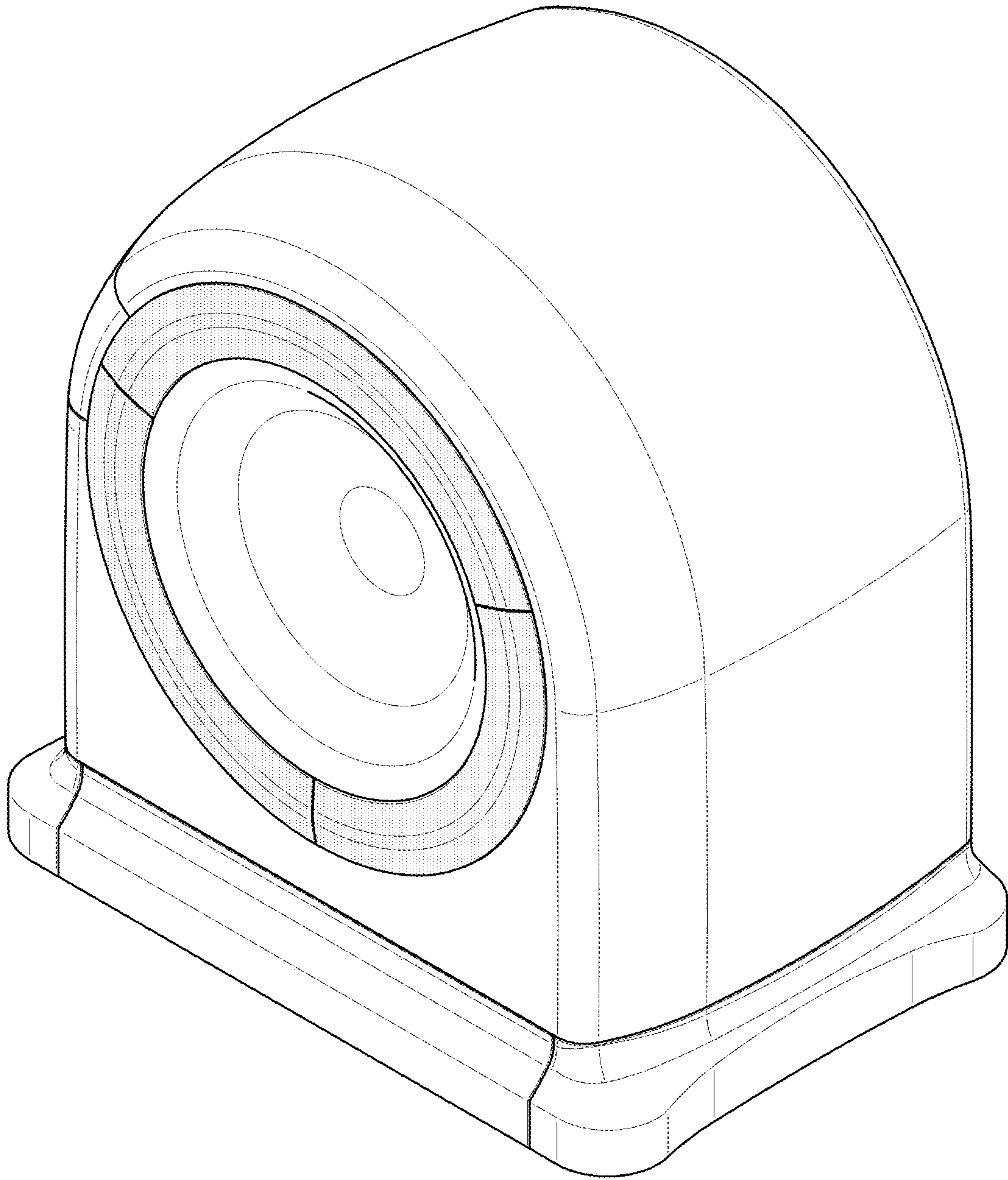


FIG. 1

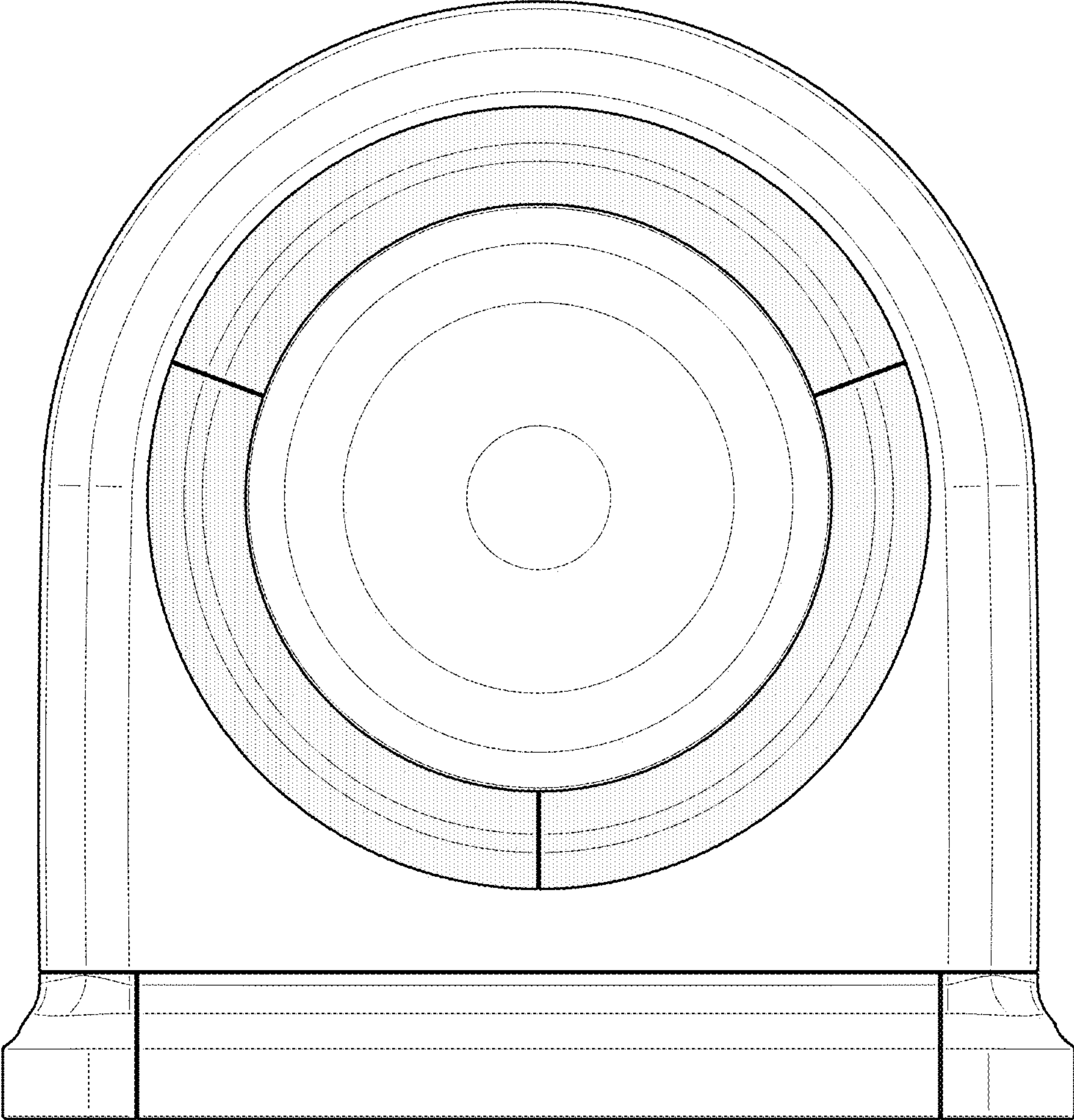


FIG. 2

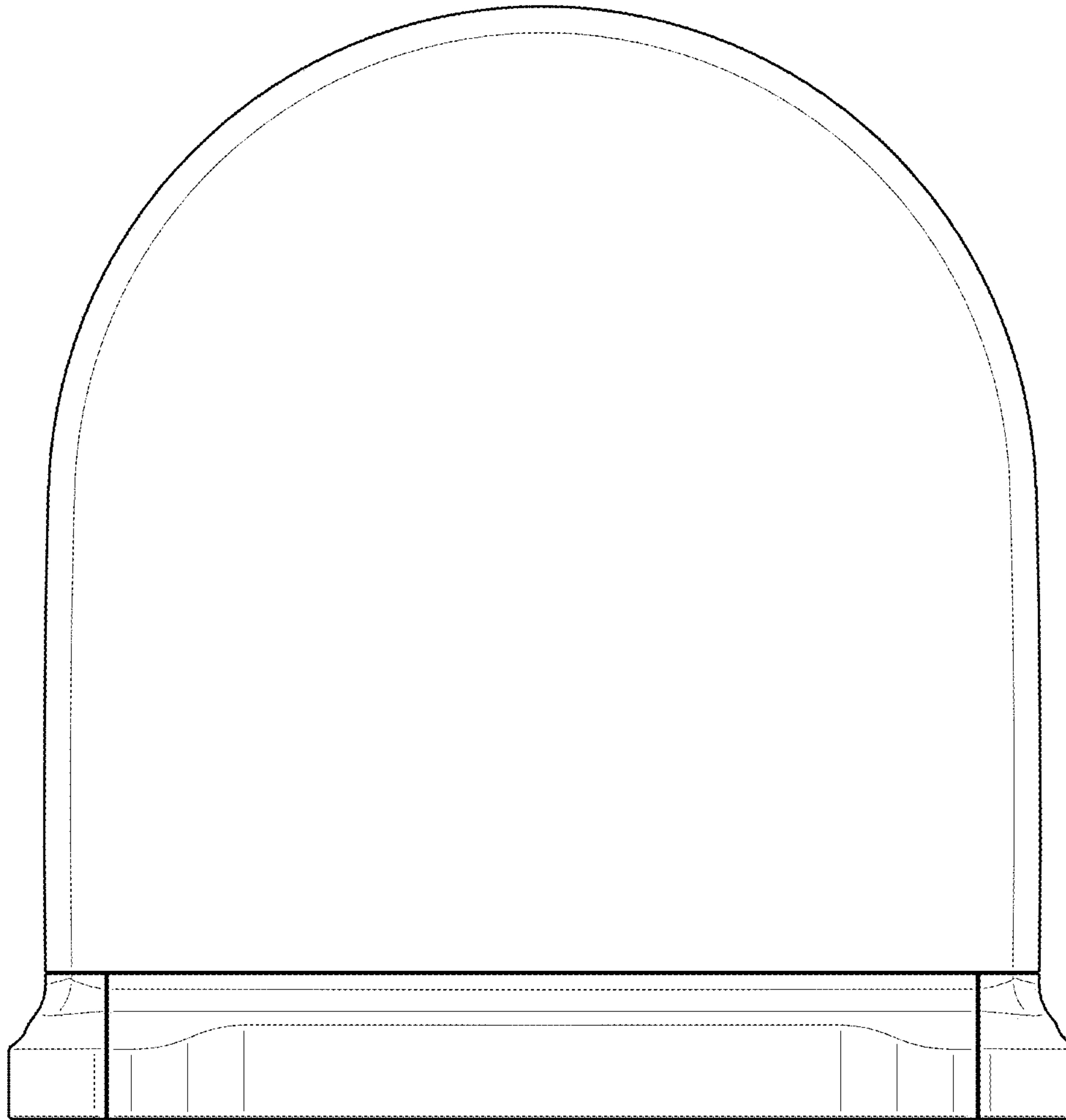


FIG. 3



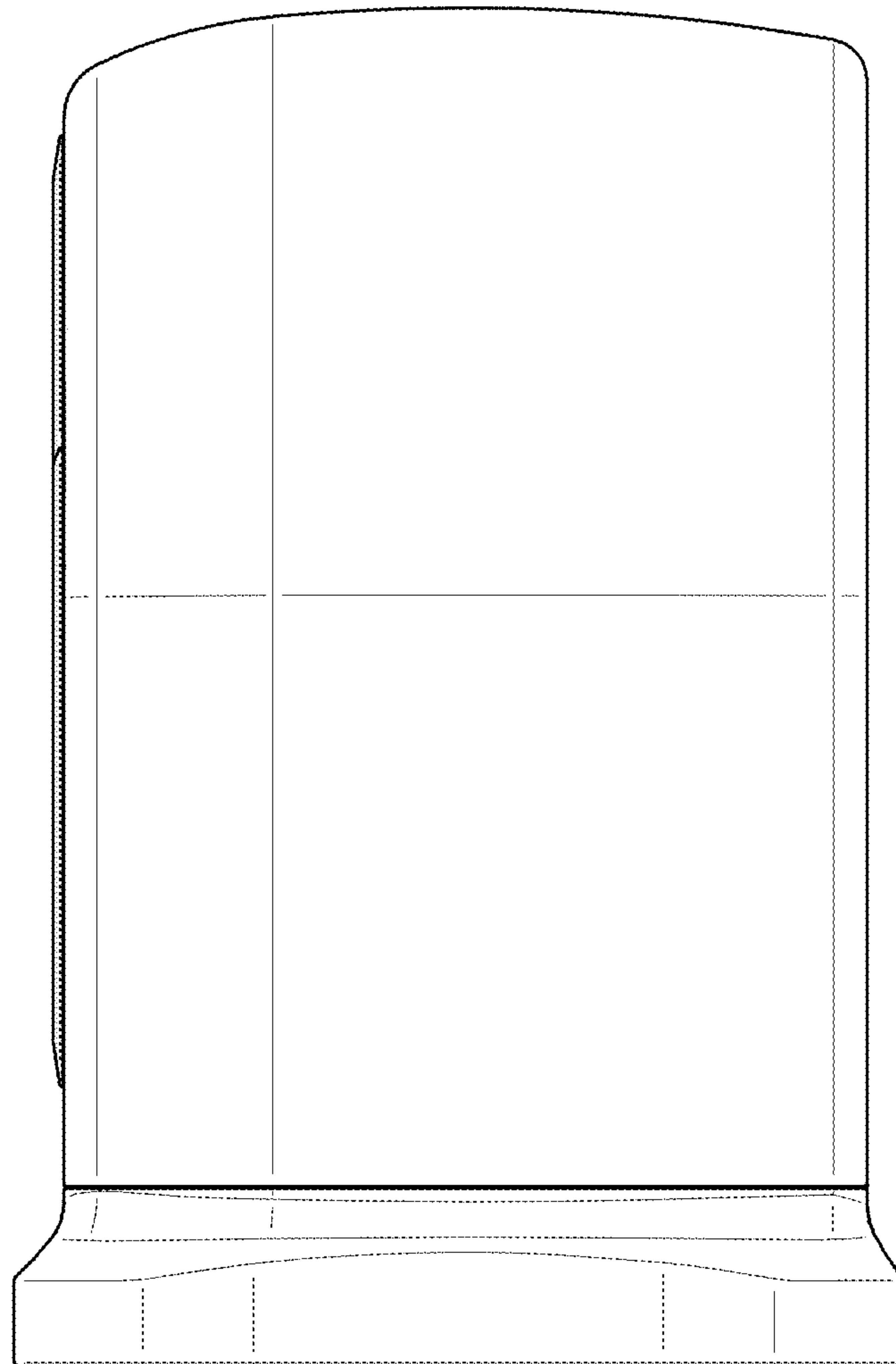


FIG. 4

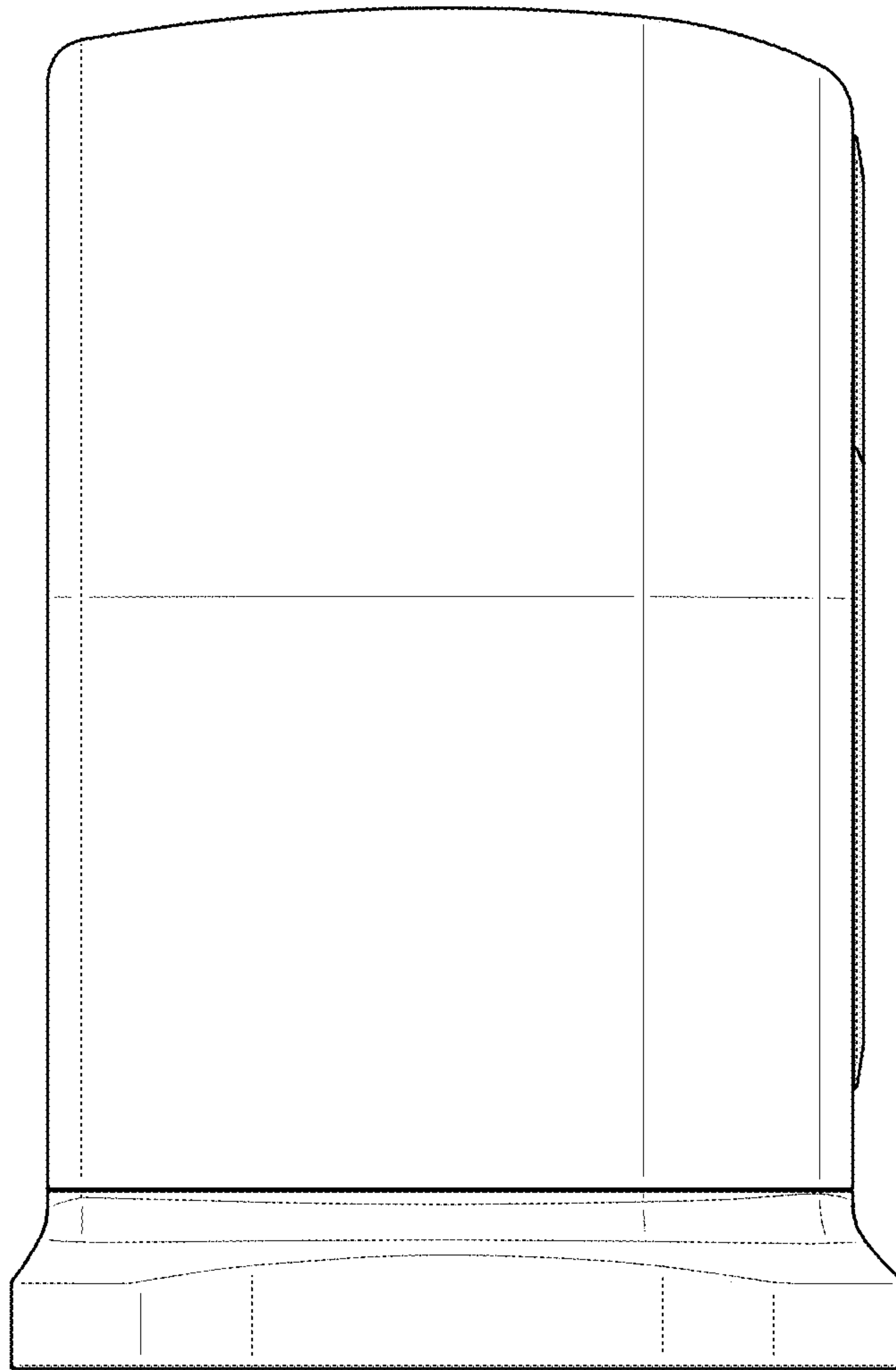


FIG. 5

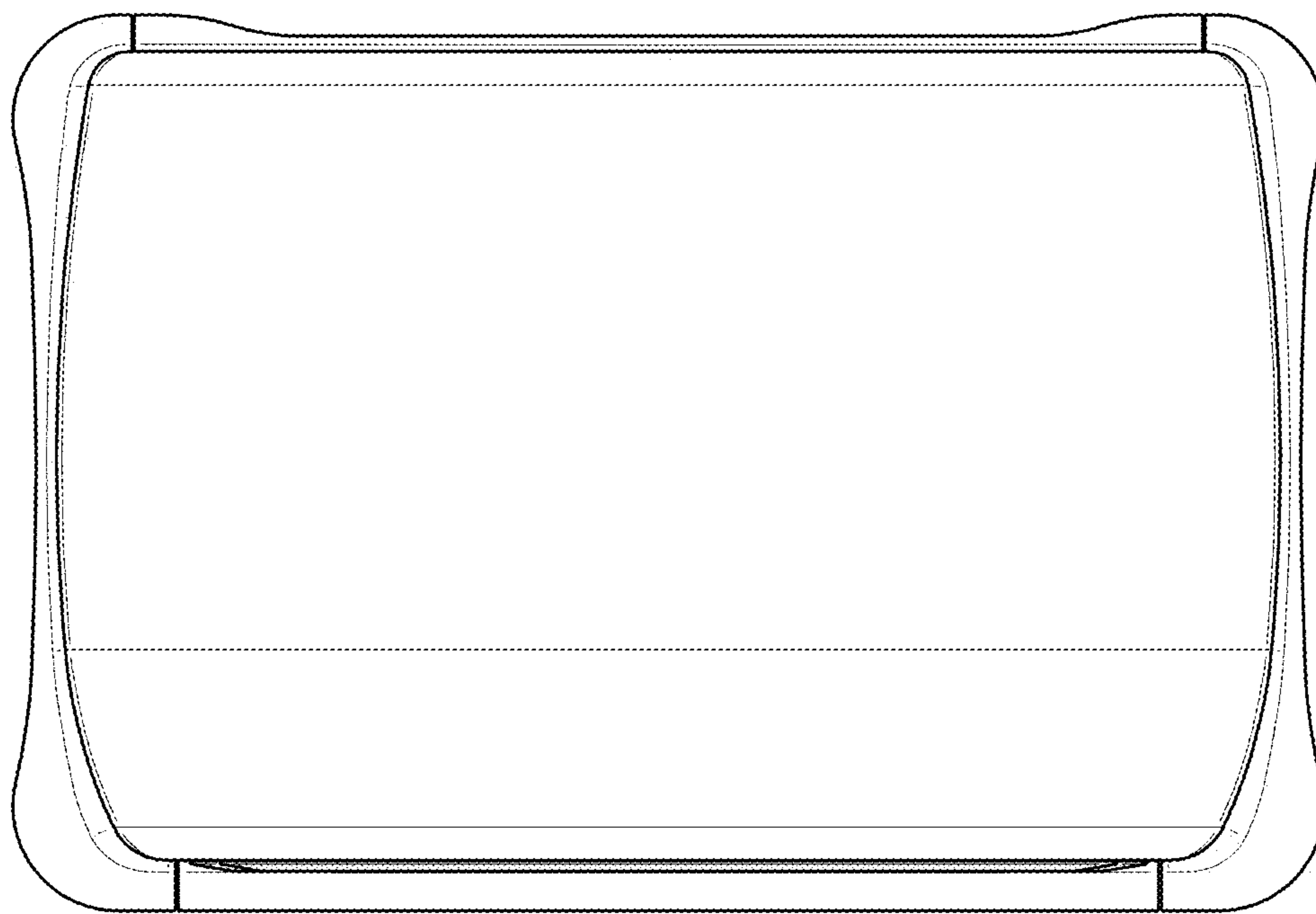


FIG. 6

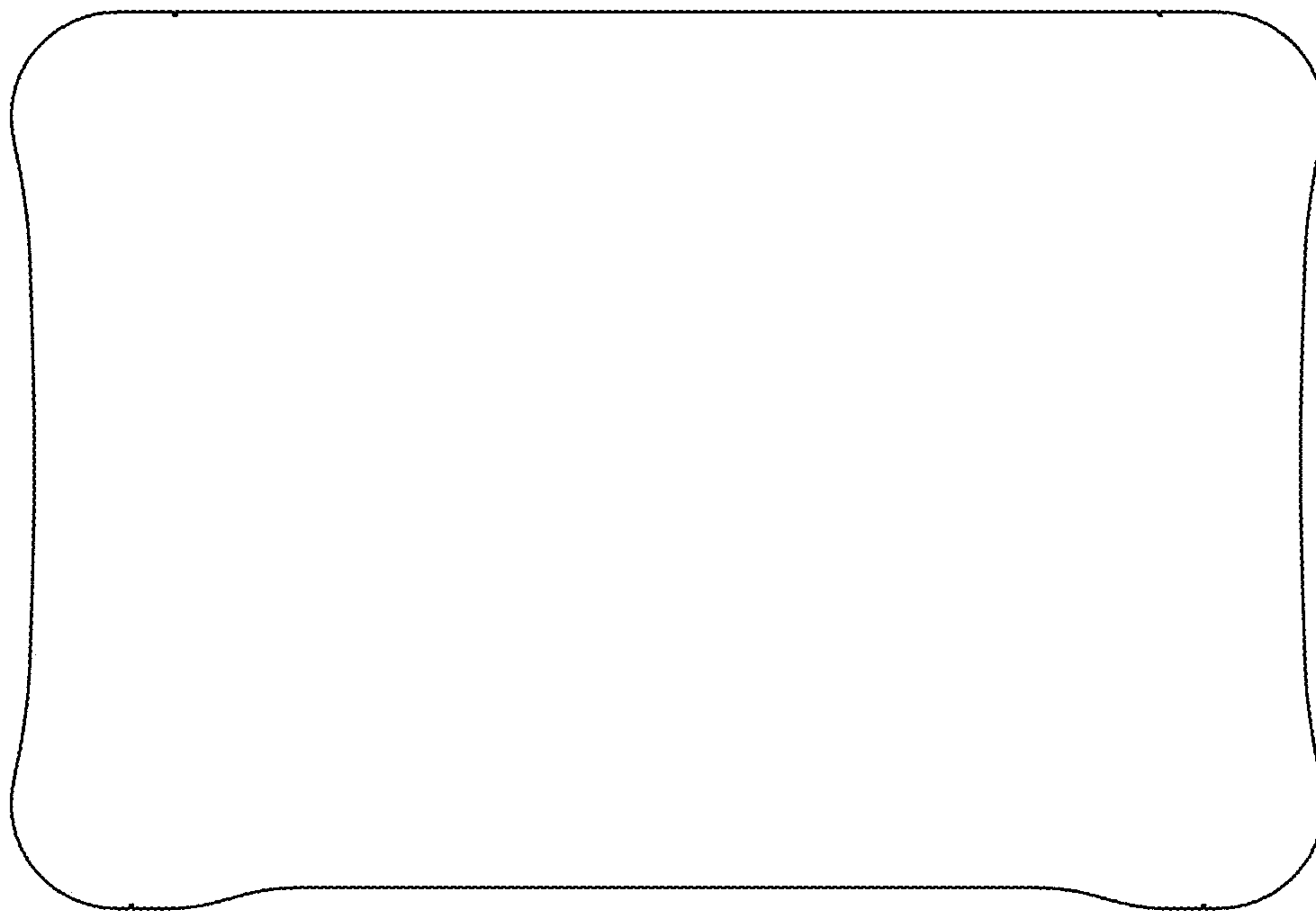


FIG. 7