



US00D980979S

(12) **United States Design Patent**
Leibowitz

(10) **Patent No.:** **US D980,979 S**
(45) **Date of Patent:** **** Mar. 14, 2023**

(54) **NAIL EXTRACTOR**

(71) Applicant: **Shukla Medical**, St. Petersburg, FL
(US)

(72) Inventor: **Evan G. Leibowitz**, Linden, NJ (US)

(73) Assignee: **Shukla Medical**, St. Petersburg, FL
(US)

(**) Term: **15 Years**

(21) Appl. No.: **29/671,971**

(22) Filed: **Nov. 30, 2018**

(51) **LOC (14) Cl.** **24-02**

(52) **U.S. Cl.**
USPC **D24/146; D8/86**

(58) **Field of Classification Search**
USPC D8/47, 86, 98, 101; D24/112, 130, 133,
D24/144-148

(Continued)

(56) **References Cited**

U.S. PATENT DOCUMENTS

3,263,533 A * 8/1966 Carlson B25B 27/18
81/441
D222,106 S * 9/1971 Knox D15/139

(Continued)

OTHER PUBLICATIONS

A beginner's guide to drills and bits, publication date Aug. 25, 2014,
[online] URL: <https://boingboing.net/2014/08/25/a-beginners-guide-to-drills.html> (Year: 2014).*

(Continued)

Primary Examiner — L. A. Grabenstetter

(74) *Attorney, Agent, or Firm* — Kim IP Law Group LLC

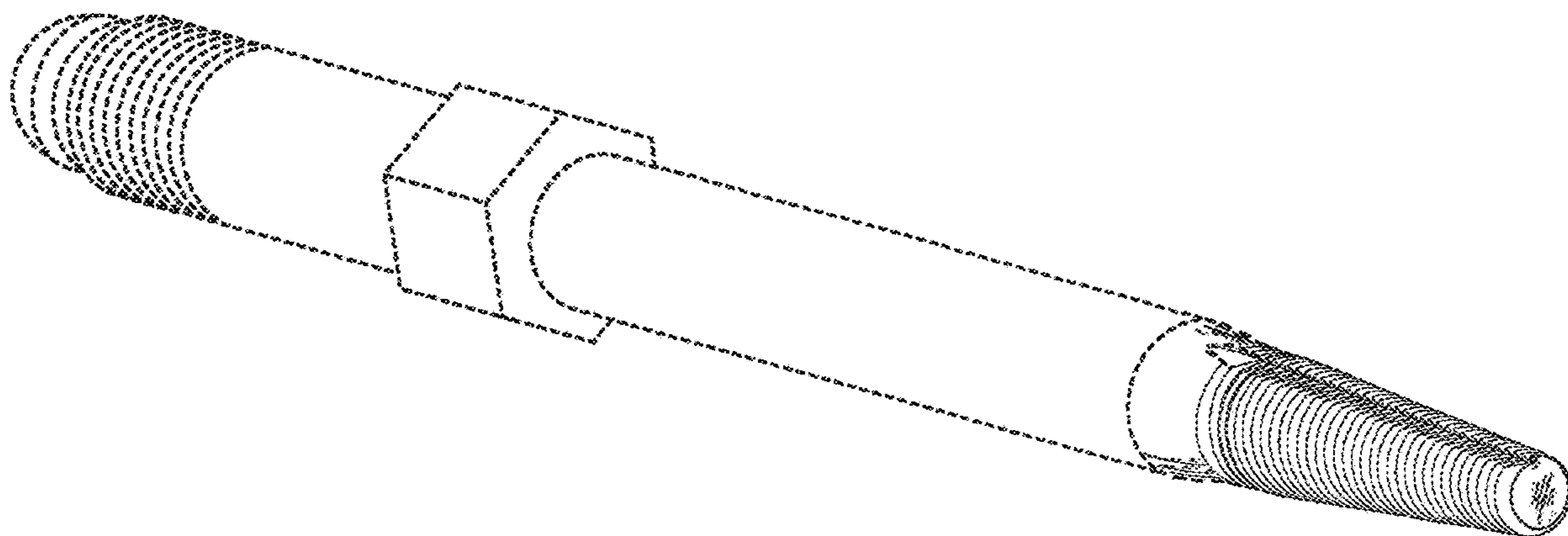
(57) **CLAIM**

The ornamental design for a nail extractor, as shown and described.

DESCRIPTION

FIG. 1 is a perspective view of a nail extractor in accordance with a first embodiment of the new design;
FIG. 2 is a top plan view of the nail extractor of FIG. 1;
FIG. 3 is a bottom plan view of the nail extractor of FIG. 1;
FIG. 4 is a right side view of the nail extractor of FIG. 1;
FIG. 5 is a left side view of the nail extractor of FIG. 1;
FIG. 6 is a front view of the nail extractor of FIG. 1;
FIG. 7 is a rear view of the nail extractor of FIG. 1;
FIG. 8 is a perspective view of a nail extractor in accordance with a second embodiment of the new design;
FIG. 9 is a top plan view of the nail extractor of FIG. 8;
FIG. 10 is a bottom plan view of the nail extractor of FIG. 8;
FIG. 11 is a right side view of the nail extractor of FIG. 8;
FIG. 12 is a left side view of the nail extractor of FIG. 8;
FIG. 13 is a front view of the nail extractor of FIG. 8;
FIG. 14 is a rear view of the nail extractor of FIG. 8;
FIG. 15 is a perspective view of a nail extractor in accordance with a third embodiment of the new design;
FIG. 16 is a top plan view of the nail extractor of FIG. 15;
FIG. 17 is a bottom plan view of the nail extractor of FIG. 15;
FIG. 18 is a right side view of the nail extractor of FIG. 15;
FIG. 19 is a left side view of the nail extractor of FIG. 15;
FIG. 20 is a front view of the nail extractor of FIG. 15; and,
FIG. 21 is a rear view of the nail extractor of FIG. 15.
The broken lines in the figures illustrate portions of the nail extractor that form no part of the claimed design.

1 Claim, 12 Drawing Sheets



(58) **Field of Classification Search**

CPC A61B 17/3211; A61B 17/3213; A61B
17/3215; A61B 17/3217; A61B
2017/32113; A61B 2090/061; B23B
51/009; B23B 51/0081; B23B 2251/40

See application file for complete search history.

(56) **References Cited**

U.S. PATENT DOCUMENTS

D345,794	S *	4/1994	Hood	D24/144
5,466,100	A *	11/1995	Ahluwalia	B23B 51/009 408/226
D385,352	S *	10/1997	Bales	D24/145
D417,827	S *	12/1999	Gillman	D8/14
6,761,089	B2 *	7/2004	Bergamo	B25B 27/18 81/441
6,890,133	B2 *	5/2005	Singh	B23B 51/009 408/224
D526,670	S *	8/2006	Ibey	D15/139
D588,700	S *	3/2009	Anitua Aldecoa	D24/156
D624,382	S *	9/2010	Loniewski	D8/86
8,388,280	B1 *	3/2013	Ison	B23B 51/009 408/231
D694,407	S *	11/2013	Ackermann	D24/152
D783,821	S *	4/2017	Folsom	D24/155
D794,188	S *	8/2017	Naglapura	D24/133
9,731,358	B2 *	8/2017	Allen	B23B 51/009
D872,783	S *	1/2020	Parendo	D15/139
D892,183	S *	8/2020	Parendo	D15/139

2004/0093032	A1 *	5/2004	Sinnott	A61B 17/0401 606/232
2008/0166195	A1 *	7/2008	Gentry	B23B 51/009 408/224
2009/0287220	A1 *	11/2009	Kiester	A61B 17/92 606/104
2012/0195704	A1 *	8/2012	White	B23B 51/0081 408/224
2014/0363244	A1 *	12/2014	Allen	B23B 51/0081 408/16
2014/0369776	A1 *	12/2014	Durfee	B23B 51/009 408/224
2016/0082579	A1 *	3/2016	Chen	B25B 27/18 81/441
2017/0129022	A1 *	5/2017	Durfee	B23B 51/009
2017/0312001	A1 *	11/2017	Naglapura	A61B 17/8888
2019/0329331	A1 *	10/2019	Parendo	B23B 51/009

OTHER PUBLICATIONS

Chiloskit 3 Pcs large HSS steel step cone drill titanium bit set, publication date Mar. 22, 2016, [online] URL: <https://www.amazon.com/Large-Steel-Step-Drill-Titanium/dp/B01D9NG6X4> (Year: 2016).*

Irwin Step drill bit set, publication date Jan. 13, 2008, [online] URL: <https://www.amazon.com/Irwin-Industrial-Tools-10502CB-3-Piece/dp/B00126KYV6/> (Year: 2008).*

Neiko 10193A Titanium Step Drill Bit Set, publication date May 19, 2007, [online] URL: <https://www.amazon.com/Neiko-10193A-Titanium-Drill-3-Piece/dp/B0010EPYWK> (Year: 2007).*

* cited by examiner

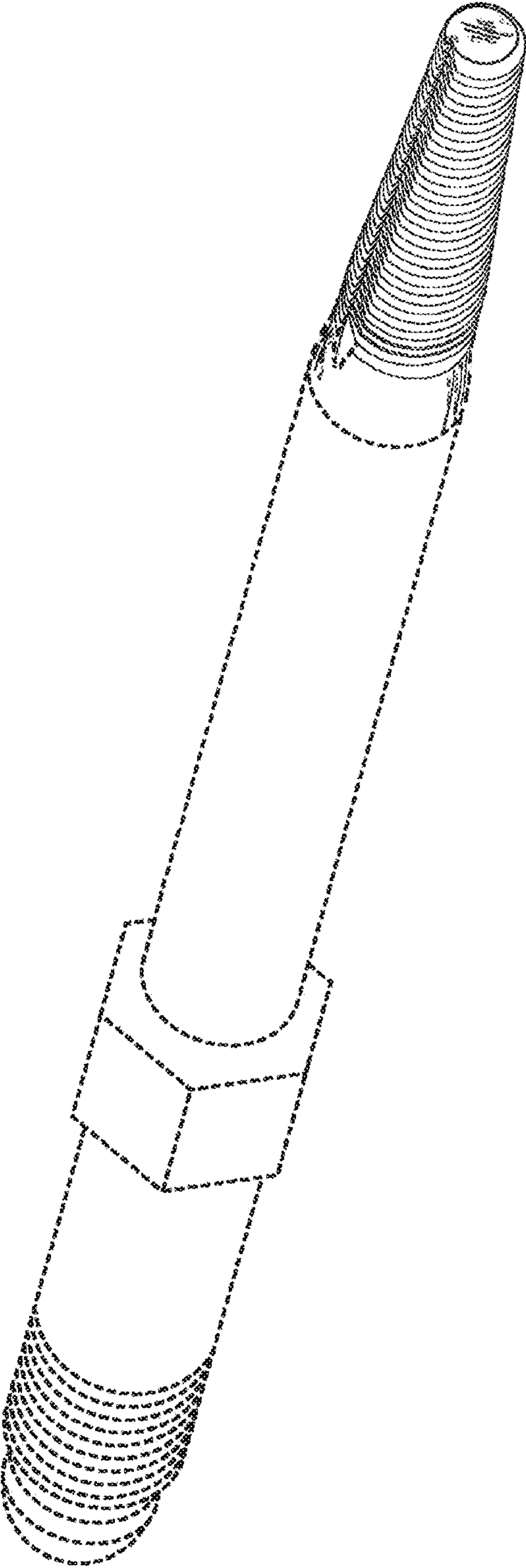


FIG. 1

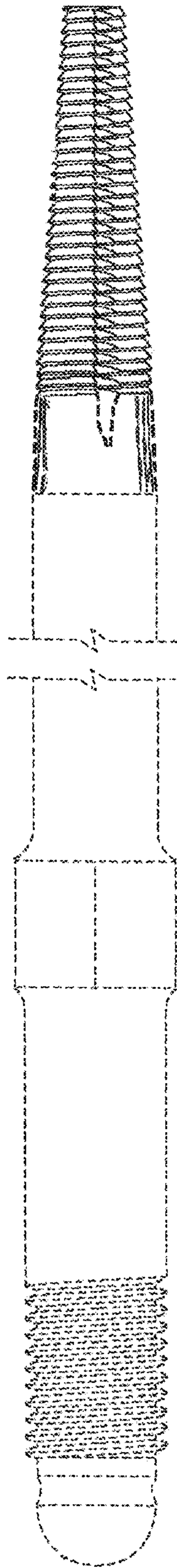


FIG. 2

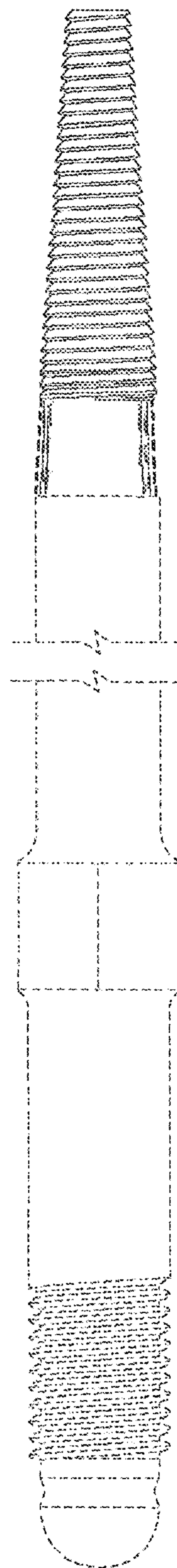


FIG. 3

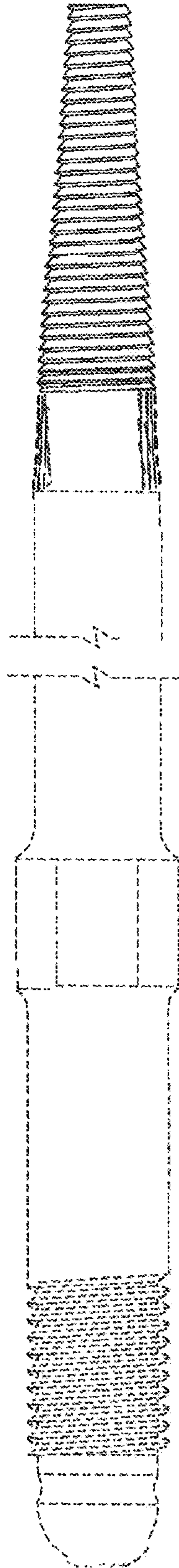


FIG. 4

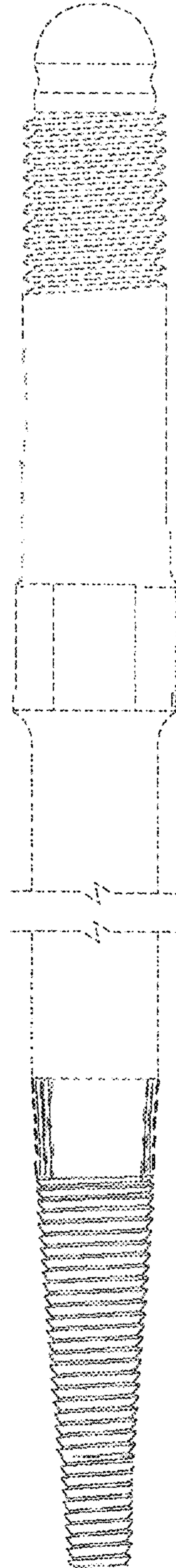


FIG. 5

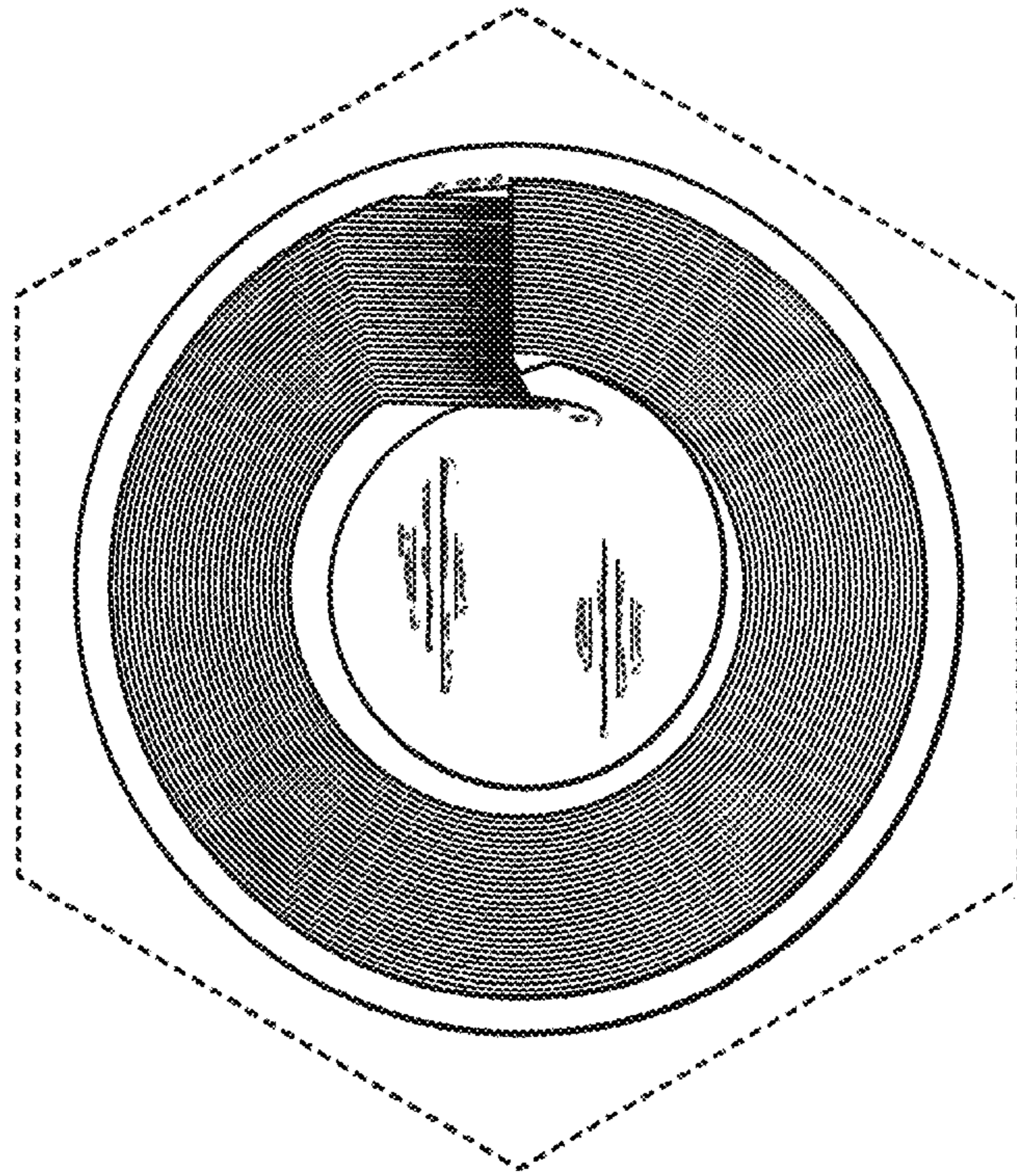


FIG. 6

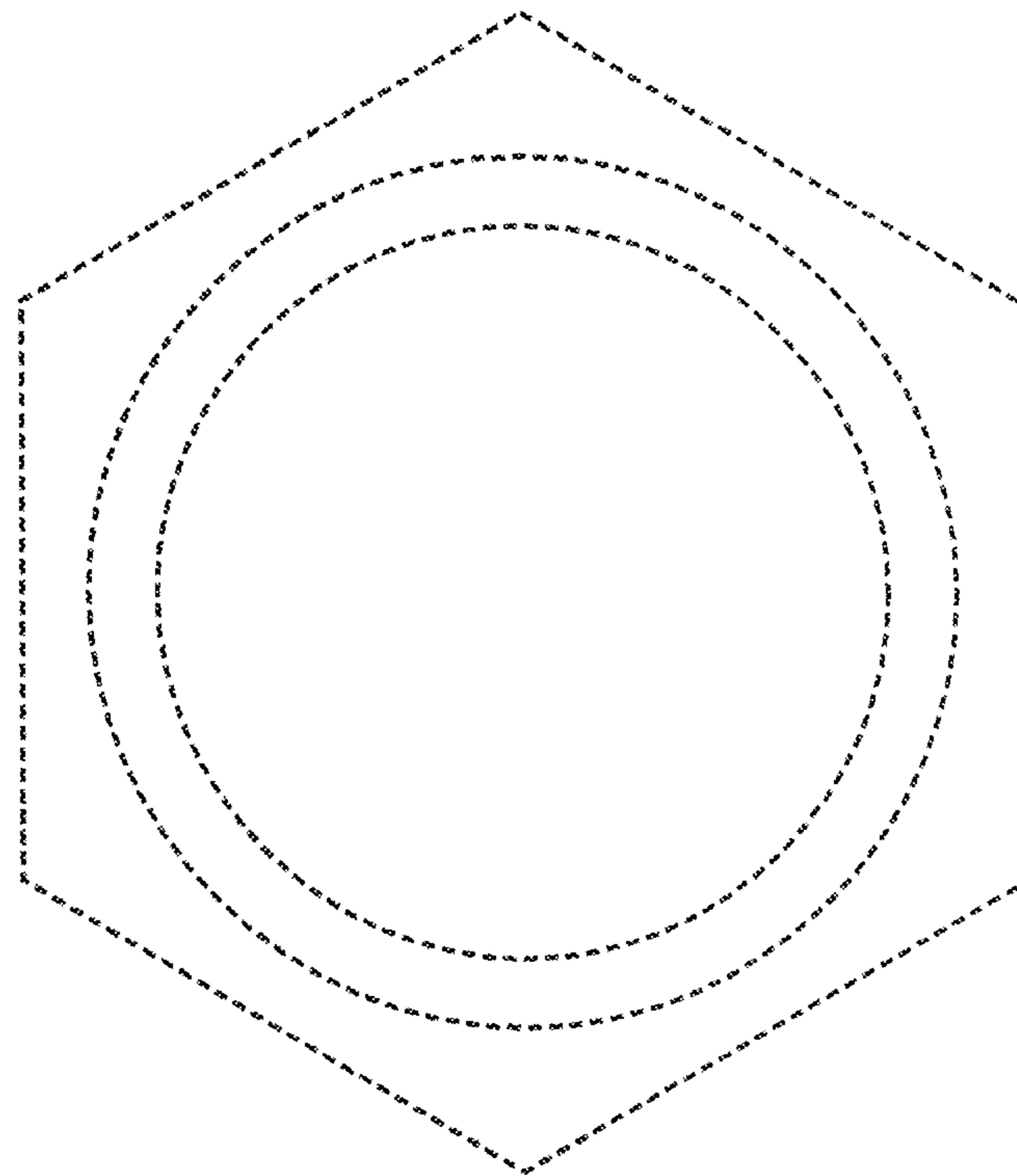


FIG. 7

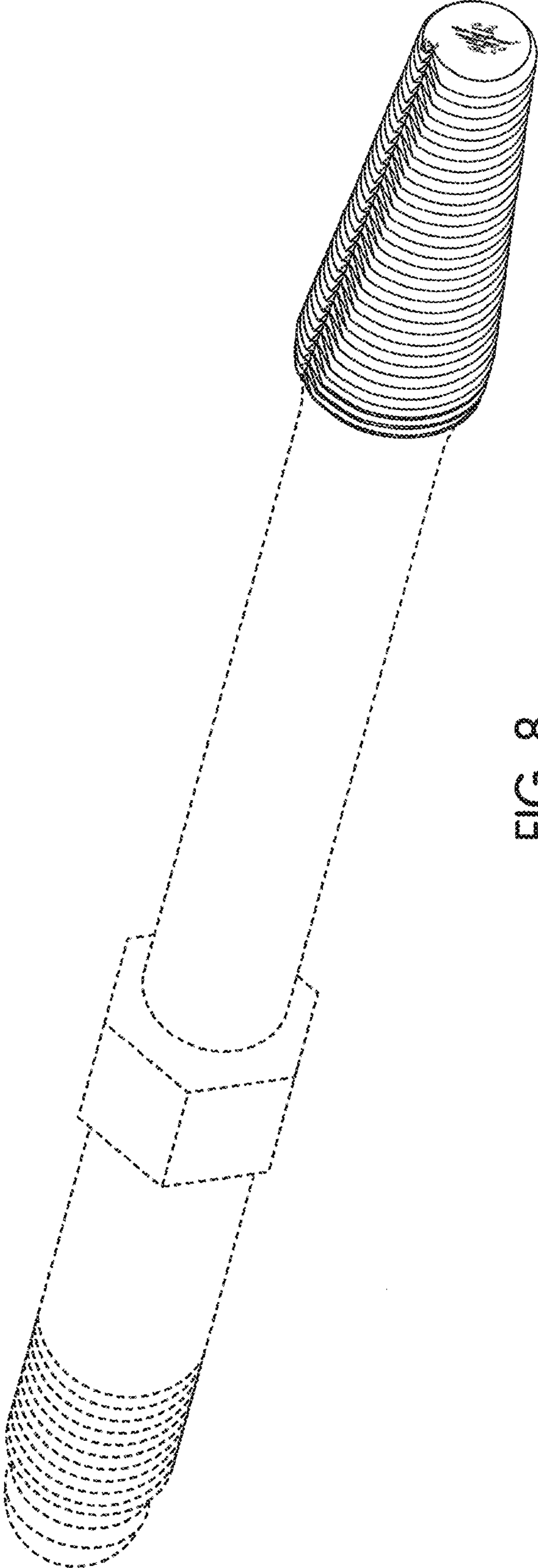


FIG. 8

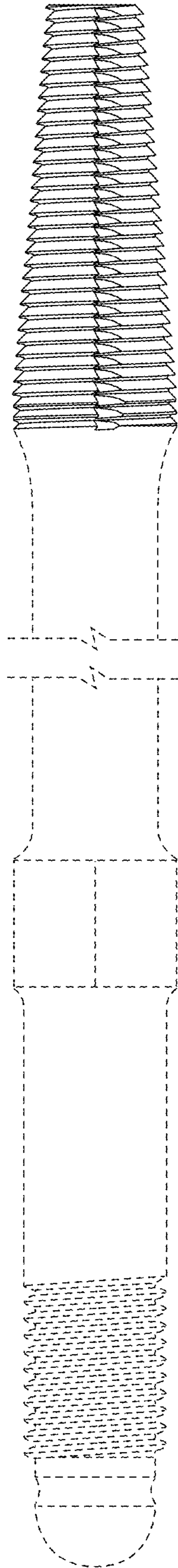


FIG. 9

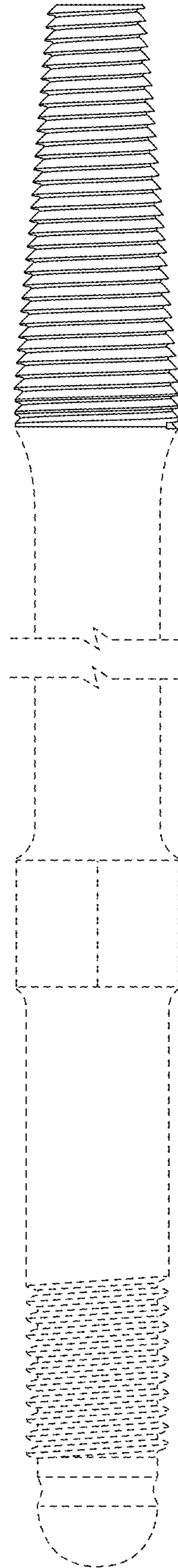


FIG. 10

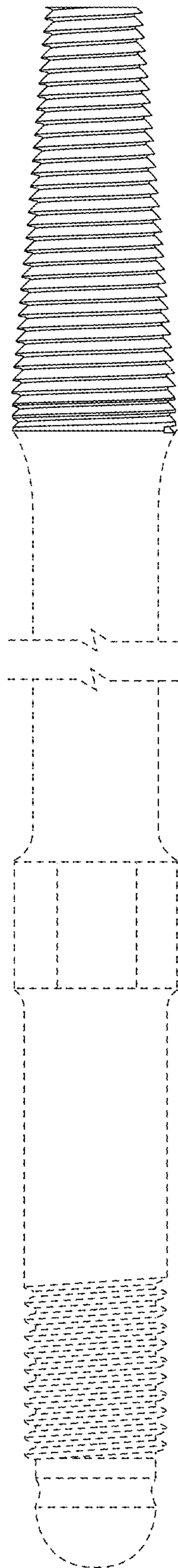


FIG. 11

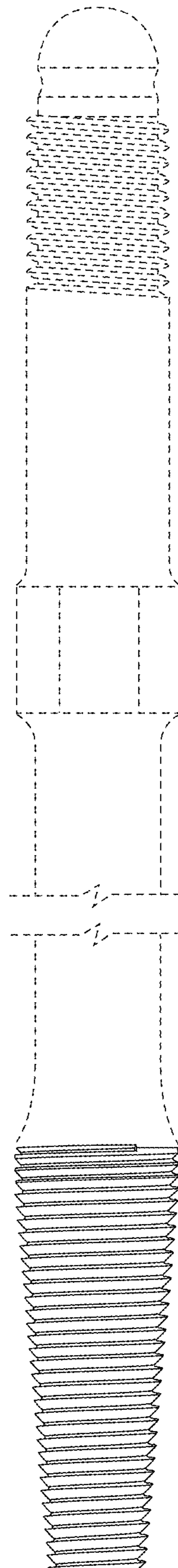


FIG. 12

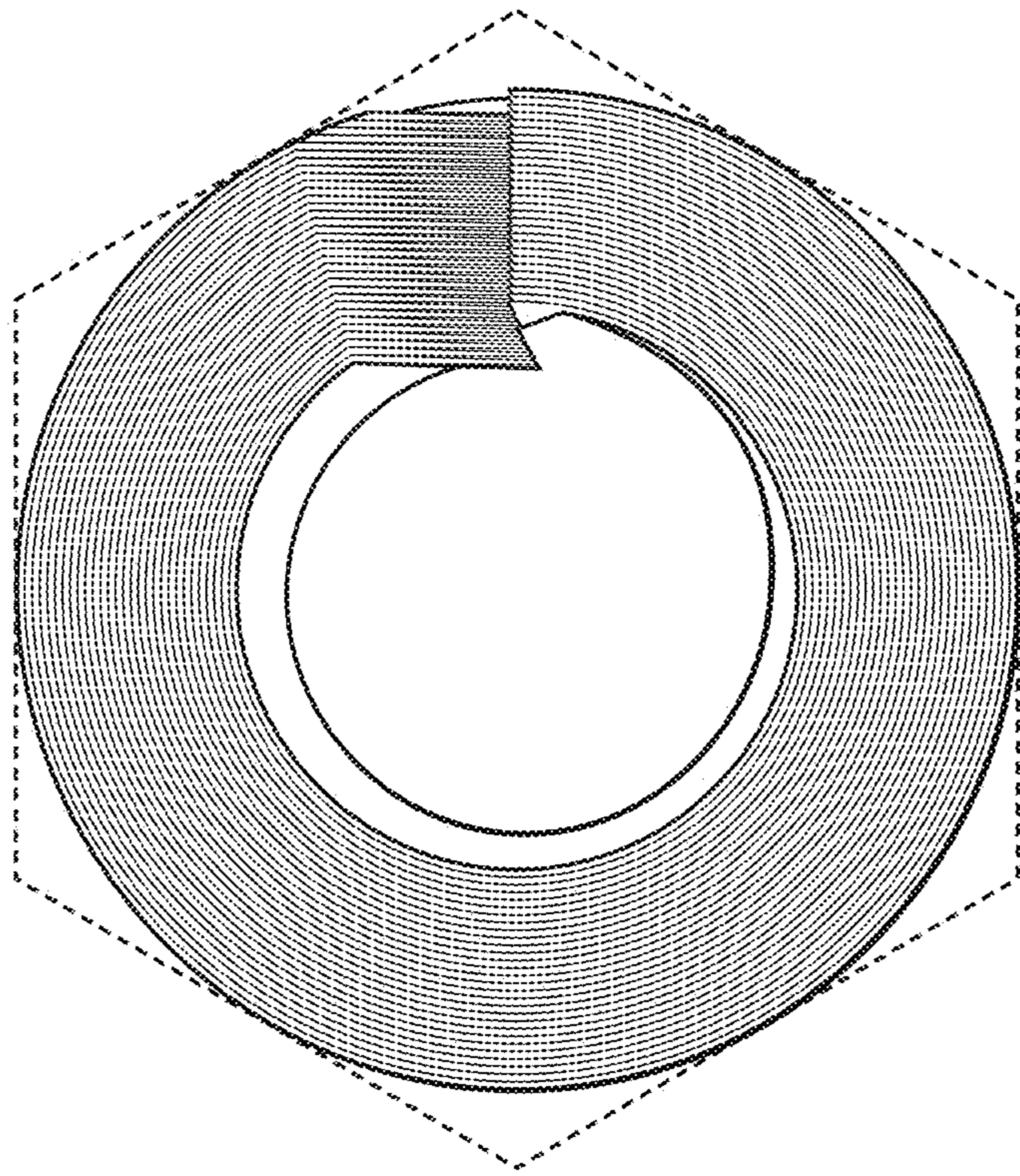


FIG. 13

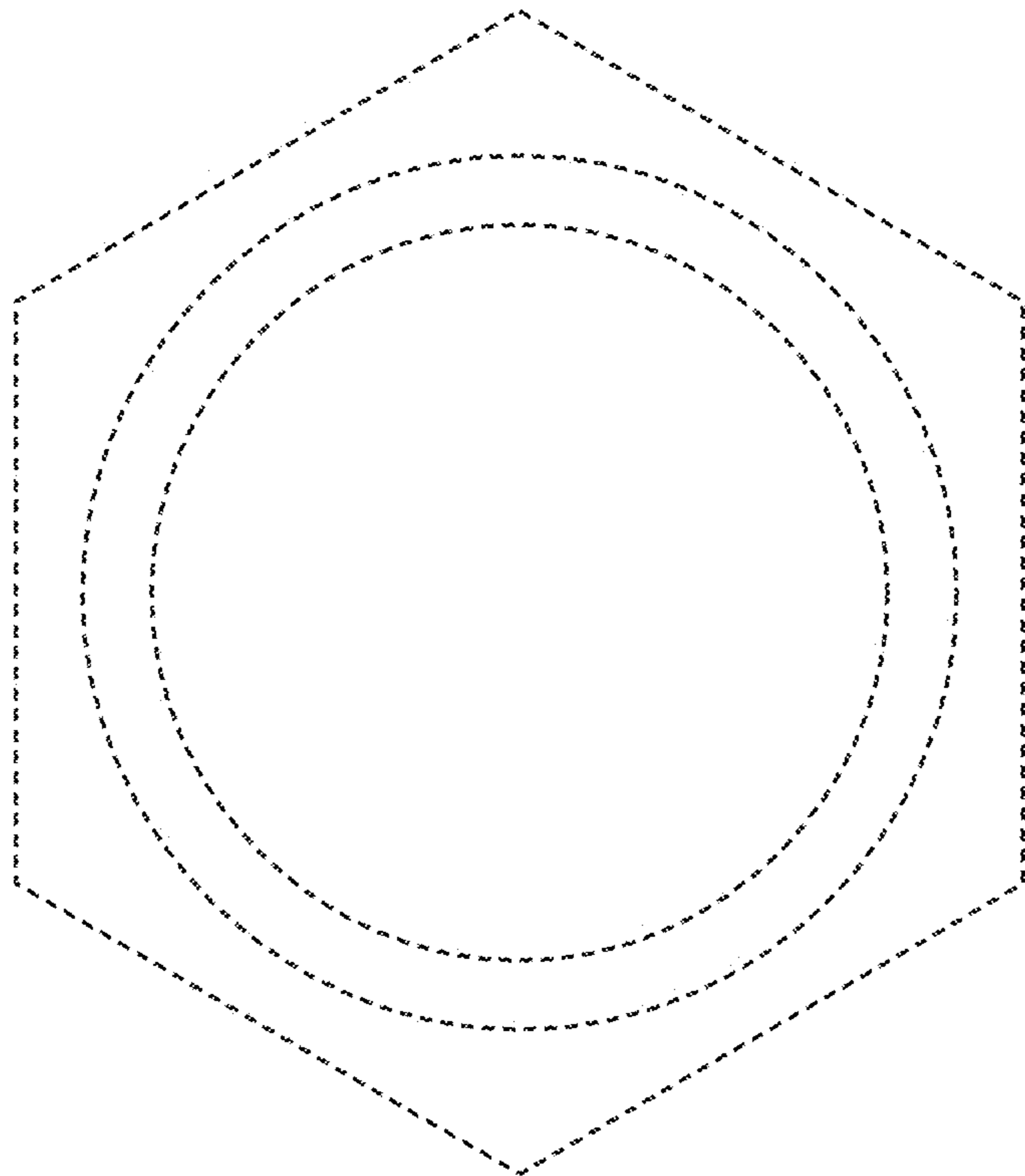


FIG. 14

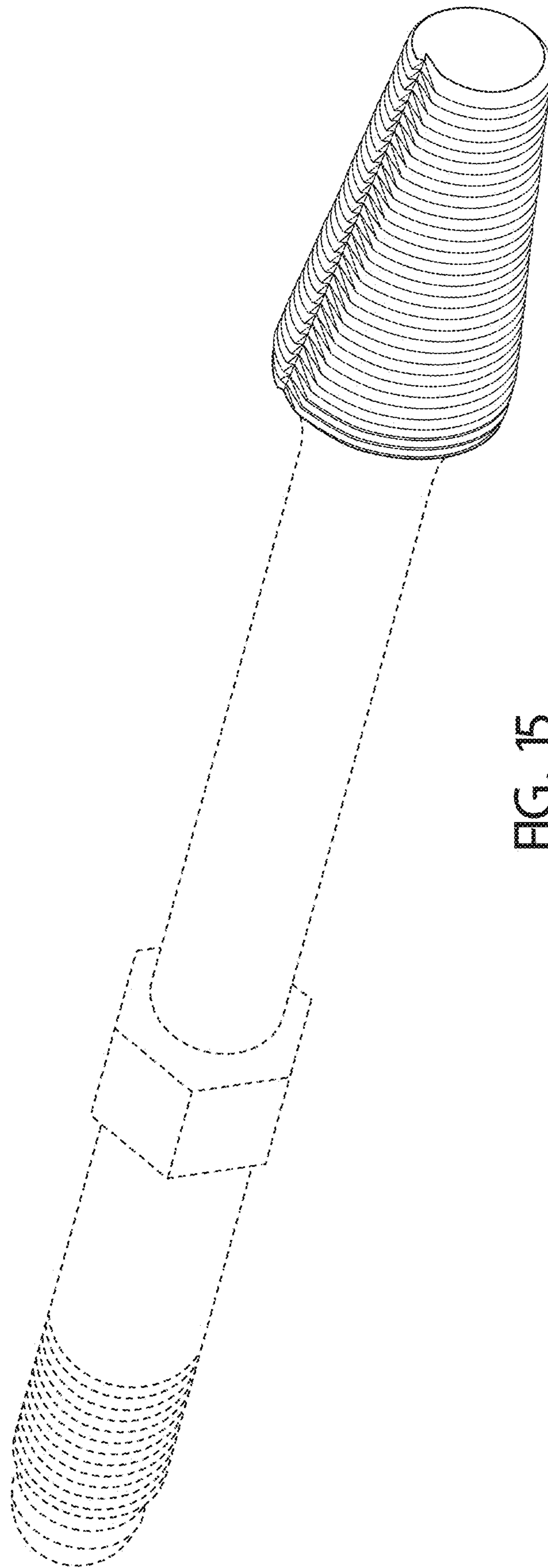


FIG. 15

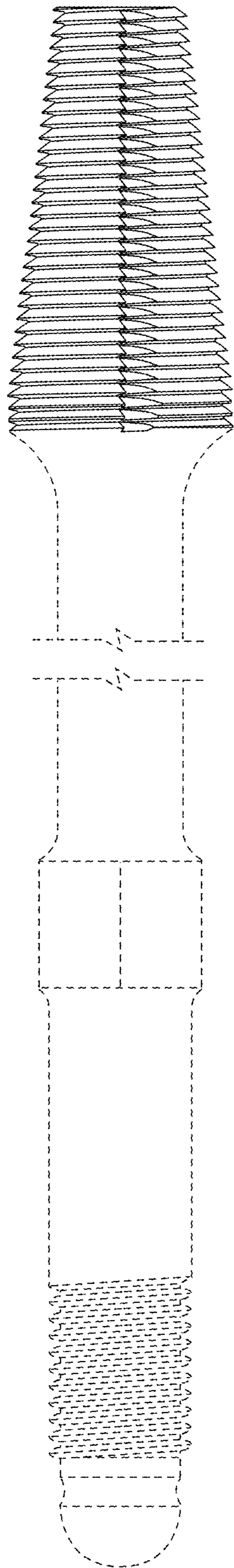


FIG. 16

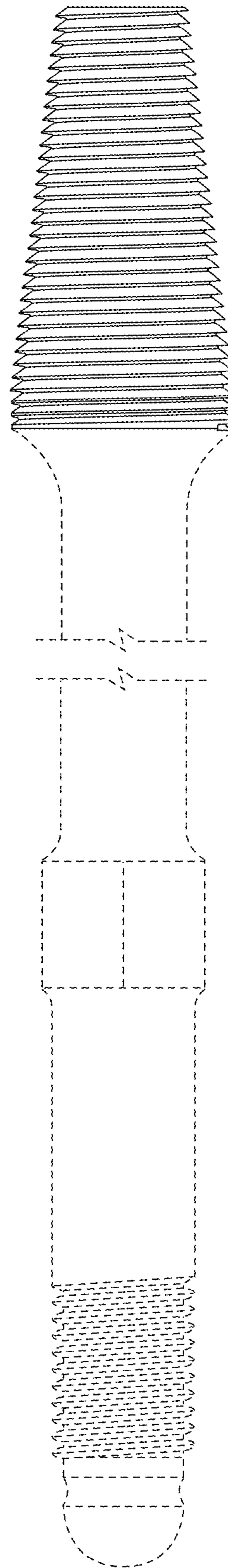


FIG. 17

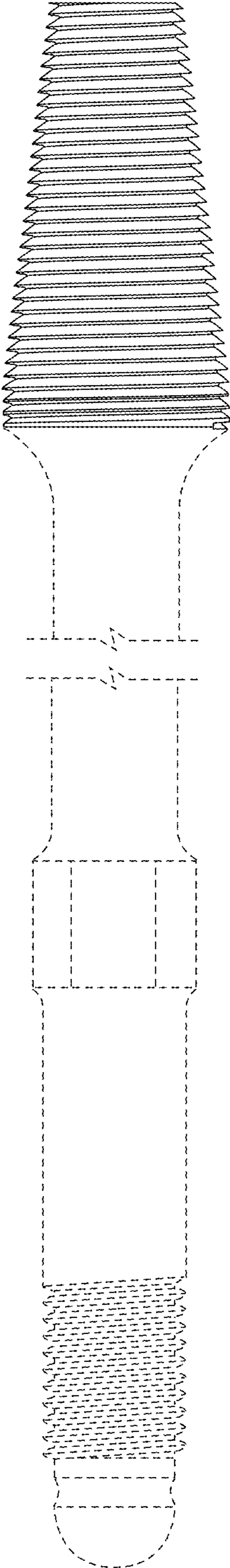


FIG. 18

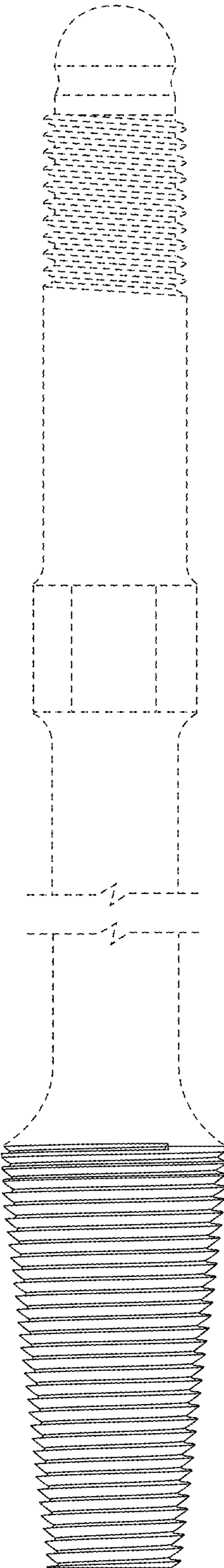


FIG. 19

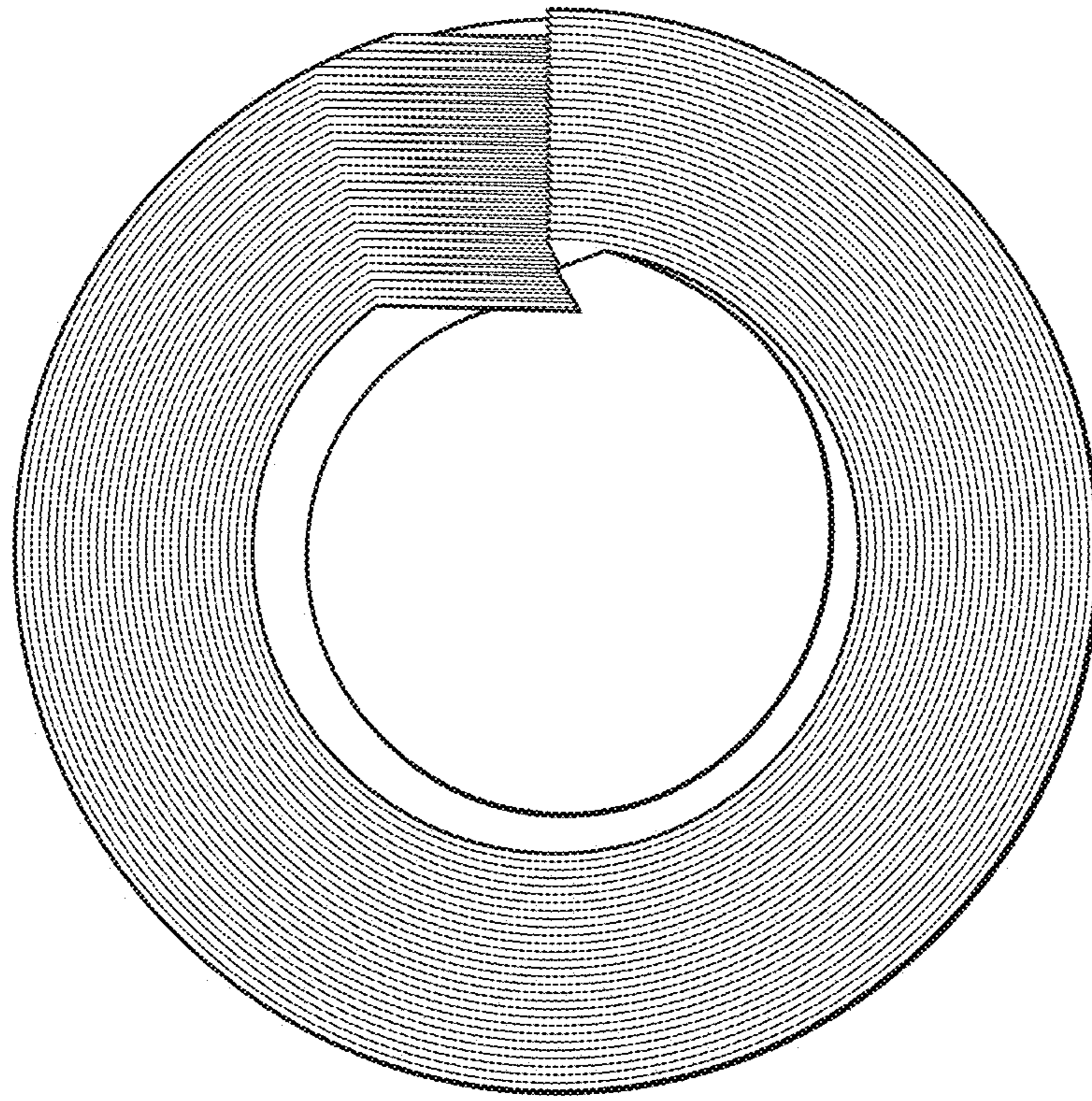


FIG. 20

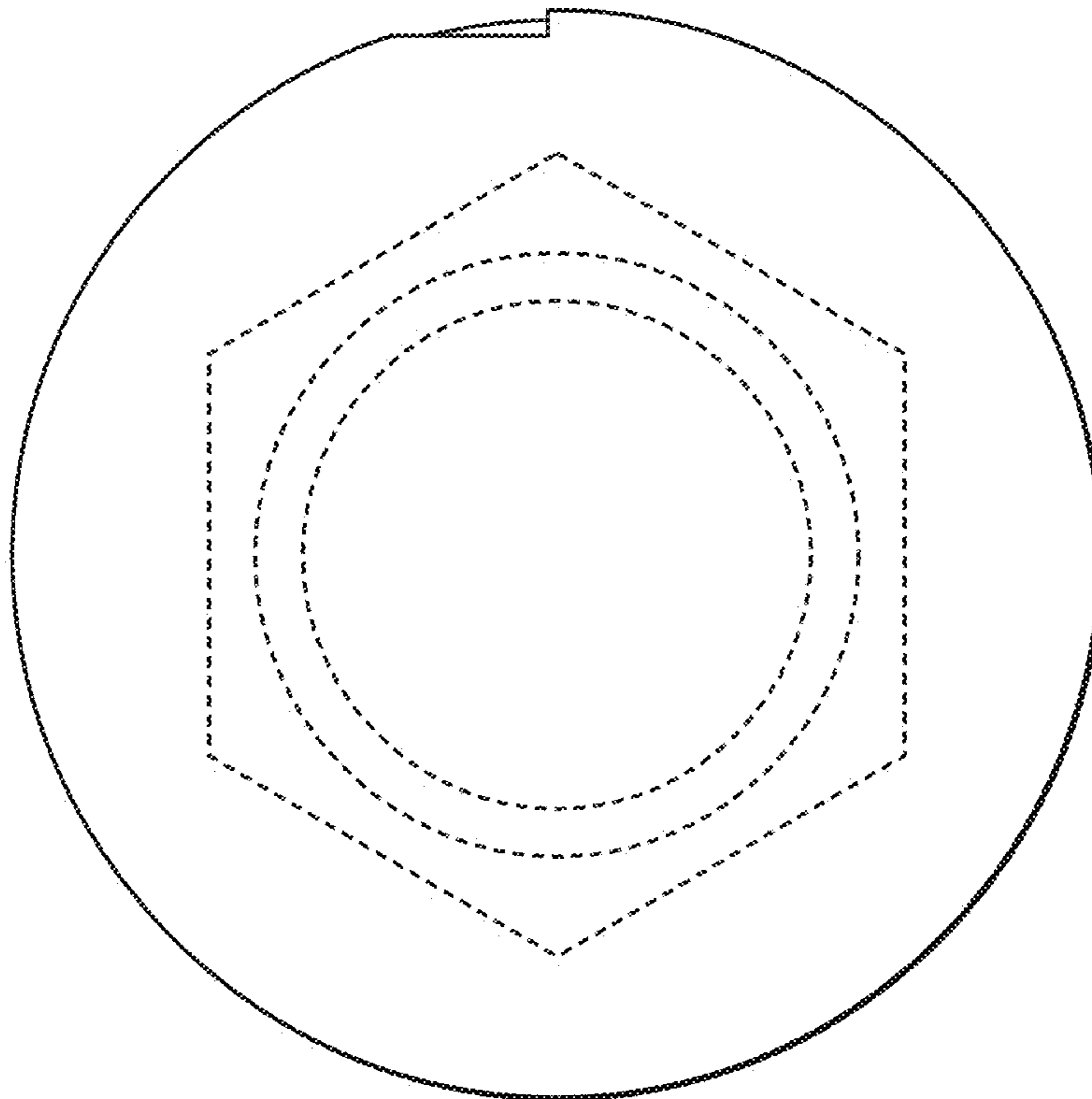


FIG. 21