



US00D980975S

(12) **United States Design Patent**
Burkard et al.

(10) **Patent No.:** **US D980,975 S**
(45) **Date of Patent:** **** Mar. 14, 2023**

(54) **MICRO DOSING DEVICE**

FOREIGN PATENT DOCUMENTS

(71) Applicant: **SHL MEDICAL AG**, Zug (CH)

EM 008437776-0001 * 2/2022

(72) Inventors: **Thomas Burkard**, Baden (CH); **Fabian Bernhard**, Stetten (CH)

OTHER PUBLICATIONS

(73) Assignee: **SHL MEDICAL AG**, Zug (CH)

Micro-dosing Single-Use Pump, quantex Recyclable Technology, [Post date: May 16, 2016], [site seen Sep. 15, 2022], Seen at URL: <https://www.quantex-arc.com/2016/05/16/quantex-news-micro-dosing/> (Year: 2016).*

(**) Term: **15 Years**

* cited by examiner

(21) Appl. No.: **29/770,958**

(22) Filed: **Feb. 18, 2021**

Primary Examiner — Natasha Vujcic

(51) **LOC (14) Cl.** **24-02**

Assistant Examiner — Gilbert B Ford

(52) **U.S. Cl.**
USPC **D24/129**; D24/130

(74) *Attorney, Agent, or Firm* — McDonnell Boehnen Hulbert & Berghoff LLP

(58) **Field of Classification Search**
USPC D24/129, 130, 112, 113, 108, 127, 186,
D24/222, 144, 146, 147
CPC A61M 5/20; A61M 5/315; A61M 5/24;
A61M 5/322; A61M 37/0015
See application file for complete search history.

(57) **CLAIM**

We claim the ornamental micro-dosing device, as shown and described.

(56) **References Cited**

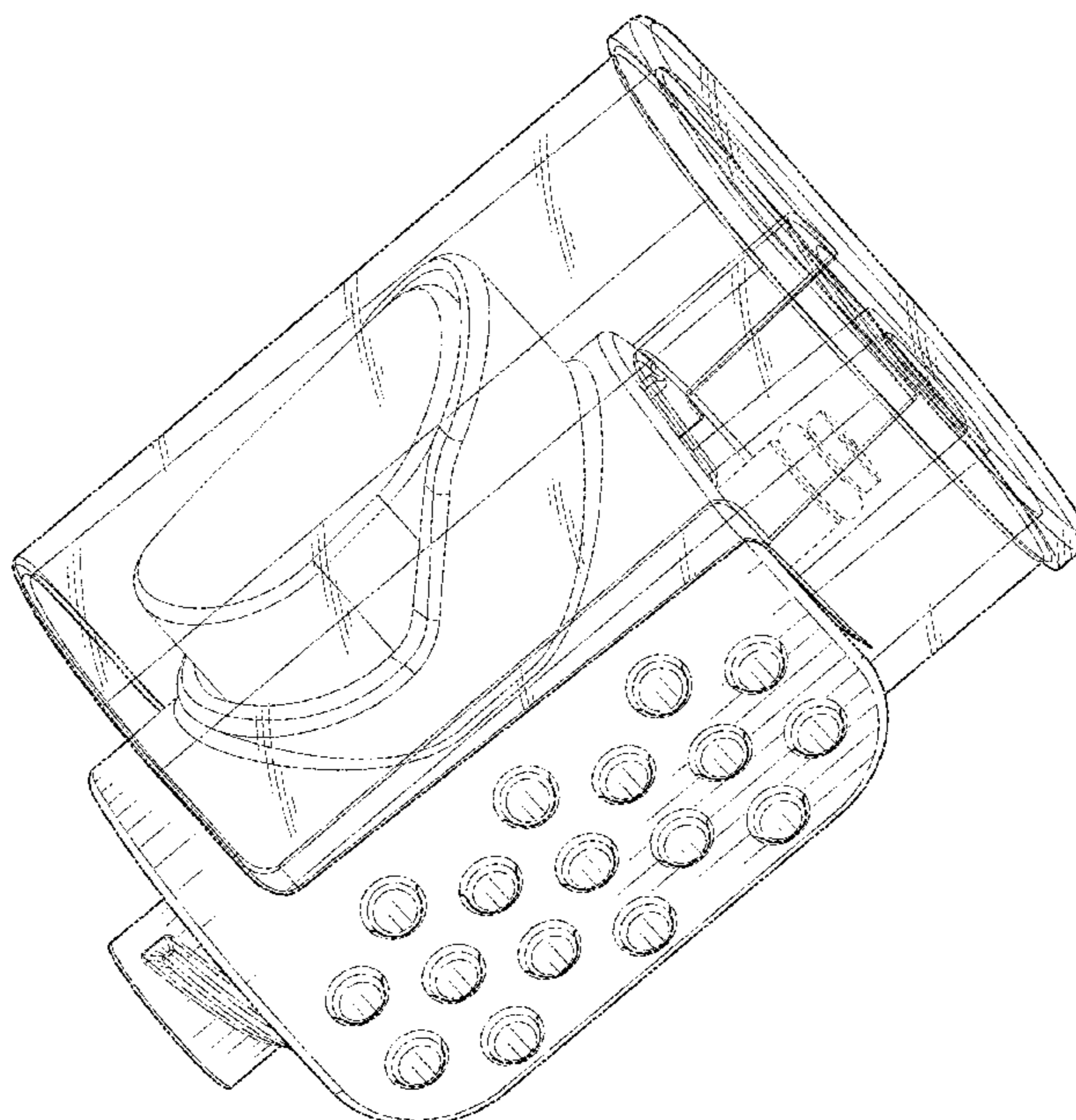
DESCRIPTION

U.S. PATENT DOCUMENTS

D594,981 S *	6/2009	Bierman	D24/130
D635,669 S *	4/2011	Katsura	D24/147
D636,078 S *	4/2011	Leybold	D24/129
D637,713 S *	5/2011	Nord	D24/129
D644,733 S *	9/2011	Ellis	D24/130
D746,454 S *	12/2015	Anderson	D24/144
D750,775 S *	3/2016	Carrel	D24/130
D790,056 S *	6/2017	Colston	D24/130
D819,817 S *	6/2018	Weston	D24/146
D822,827 S *	7/2018	Hosogoe	D24/127
10,207,097 B2 *	2/2019	Lesser	A61M 5/3216
D907,193 S *	1/2021	Alsberg	D24/108
11,160,933 B2 *	11/2021	Alexandersson	A61M 5/31571
11,400,218 B2 *	8/2022	Veasey	A61M 5/24

FIG. 1 is a front, right, and above perspective view of a micro-dosing device;
FIG. 2 is a back, left, and below perspective view thereof;
FIG. 3 is a back elevation view thereof;
FIG. 4 is a front elevation view thereof;
FIG. 5 is a left side elevation view thereof;
FIG. 6 is a right side elevation thereof;
FIG. 7 a top plan view thereof; and,
FIG. 8 is a bottom plan view thereof.
The broken lines in the drawings illustrate portions of the micro-dosing device and form no part of the claimed design.

1 Claim, 8 Drawing Sheets



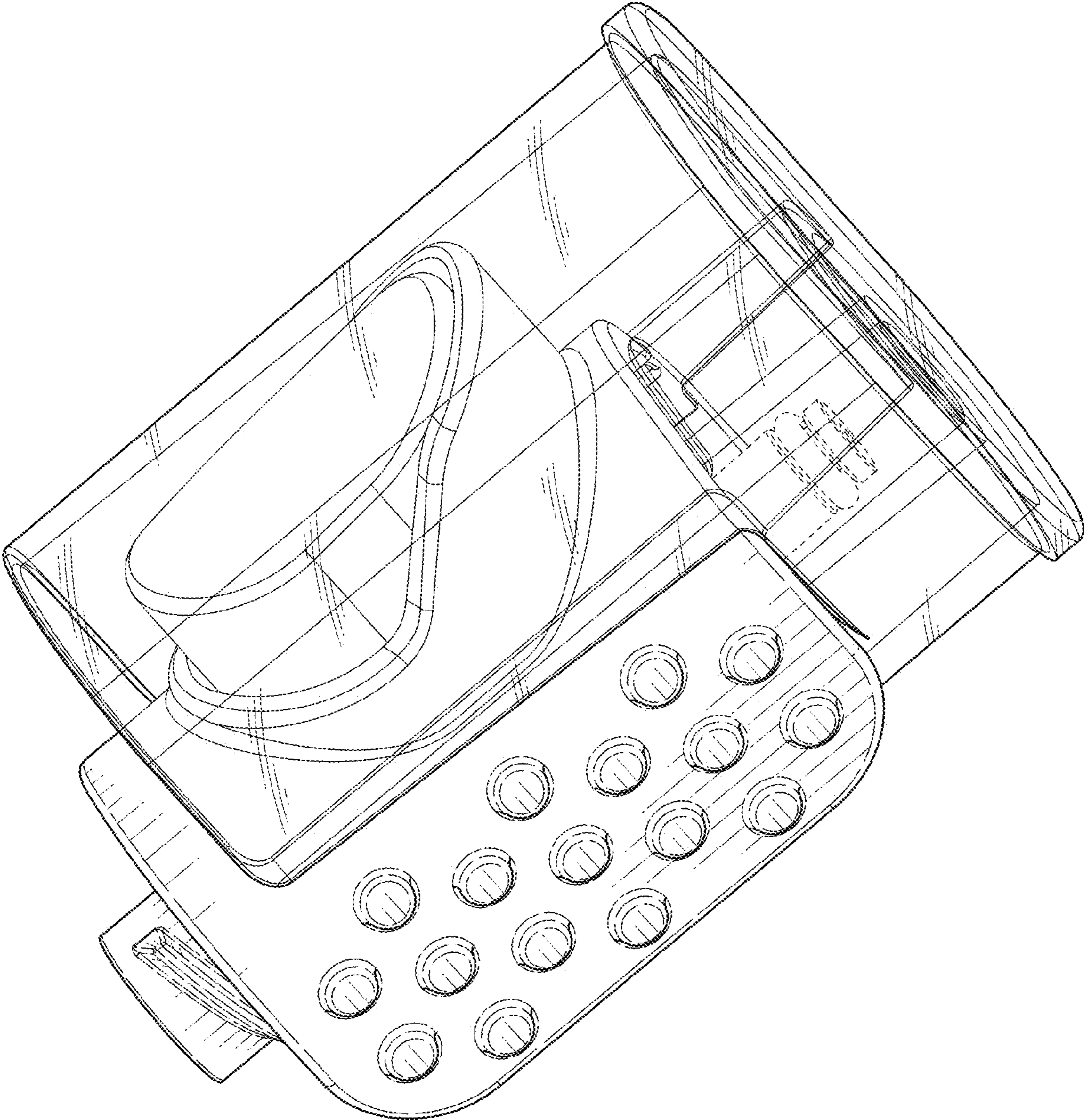


FIG. 1

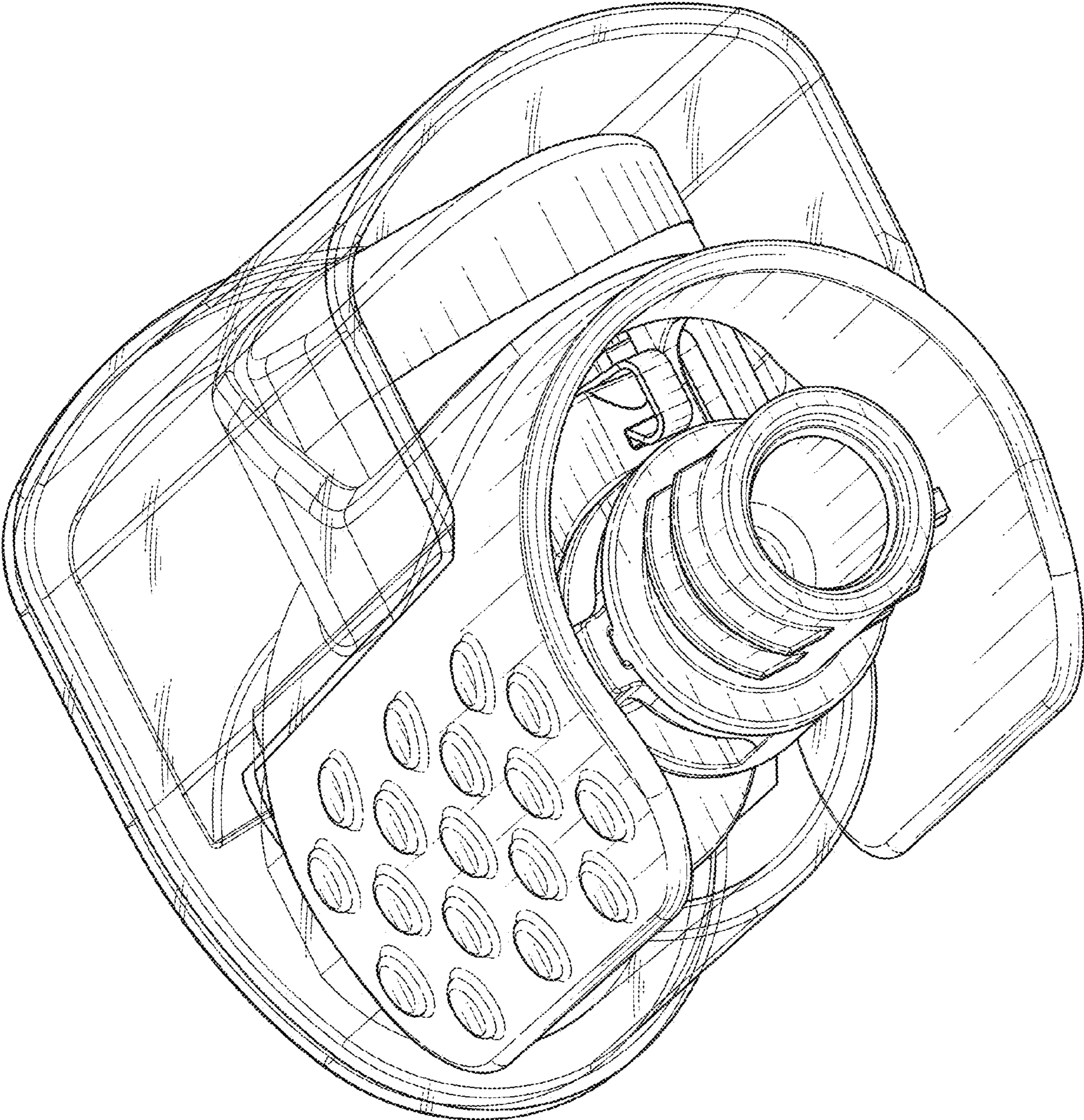


FIG. 2

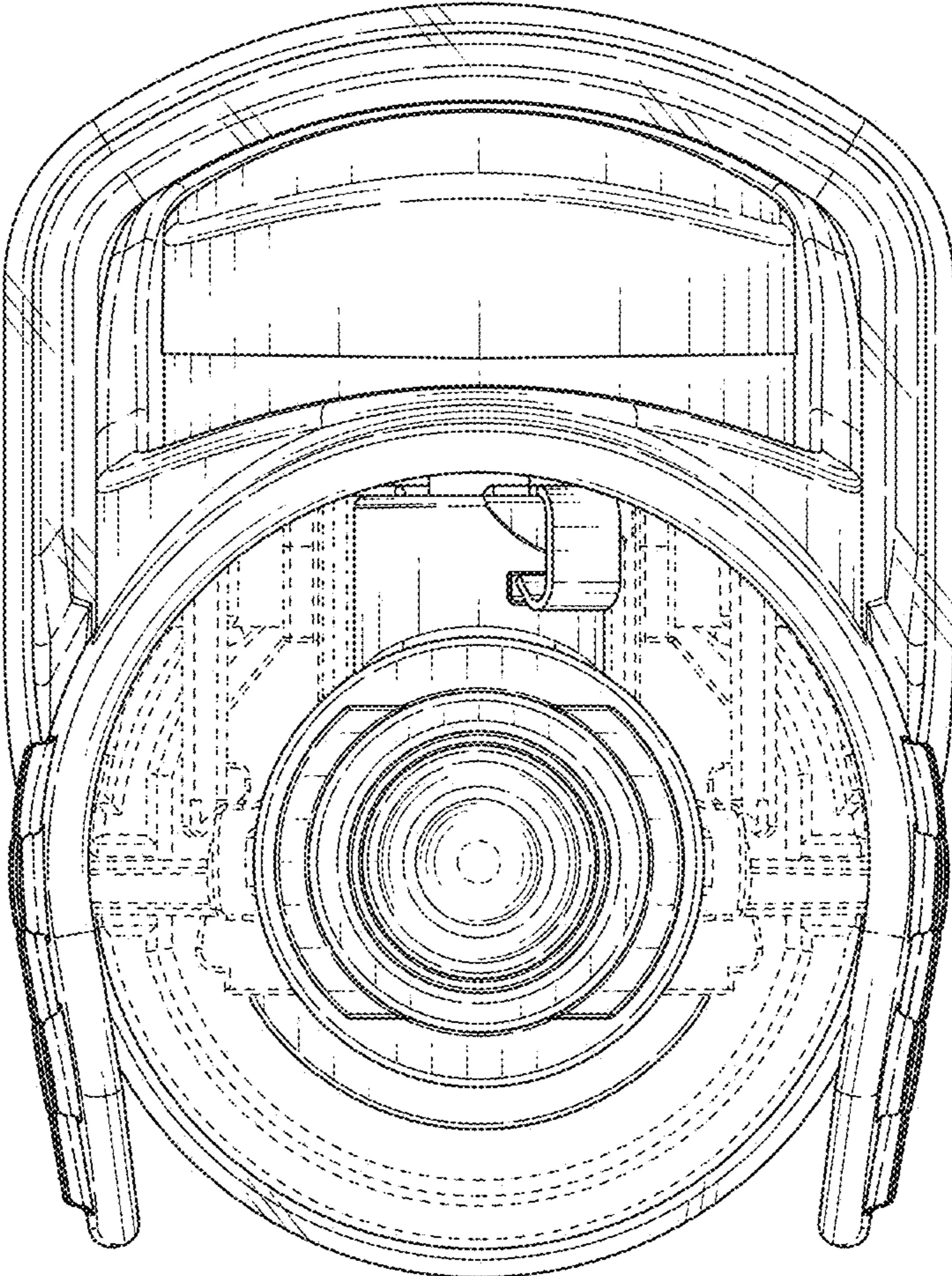


FIG. 3

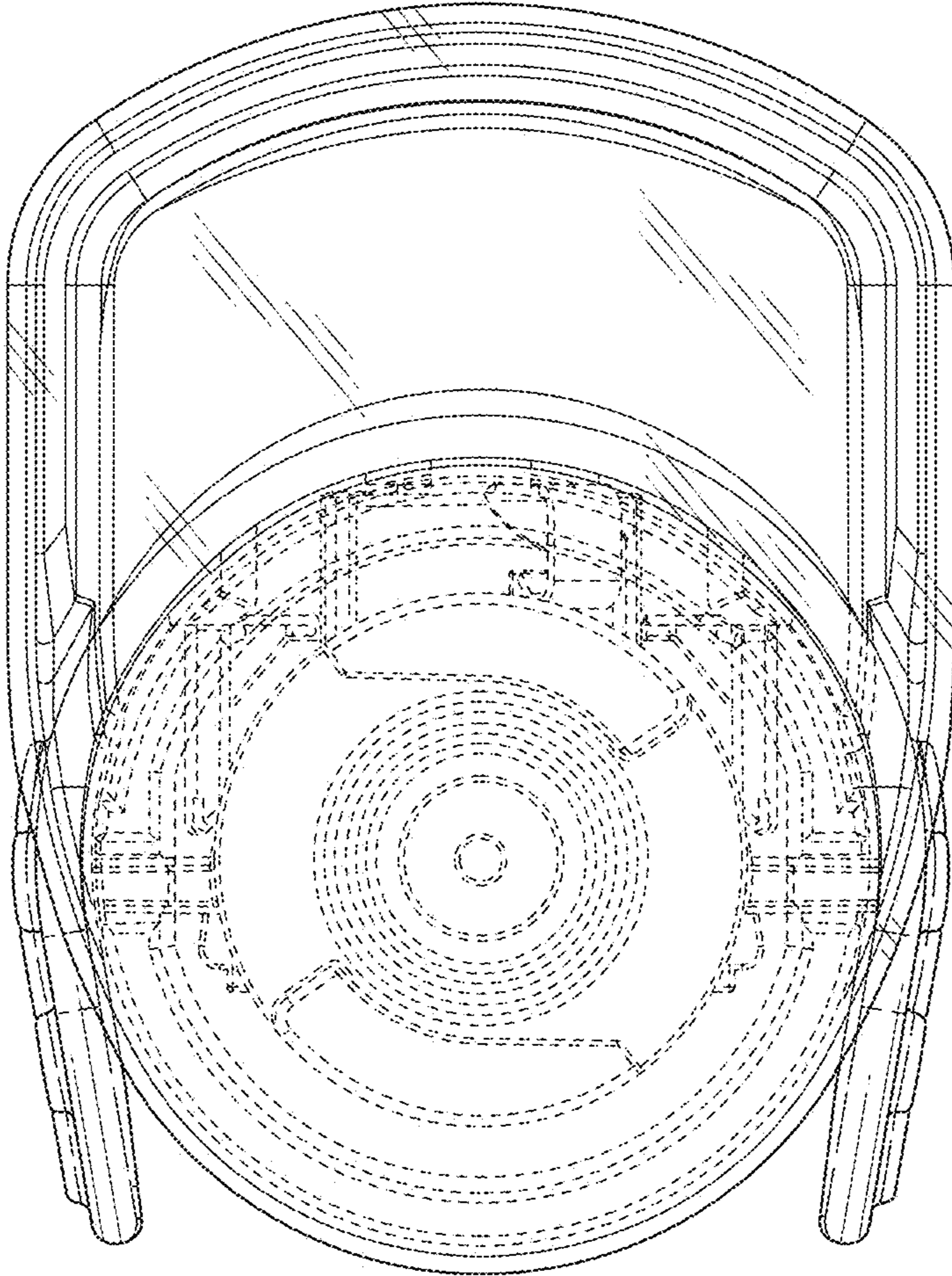


FIG. 4

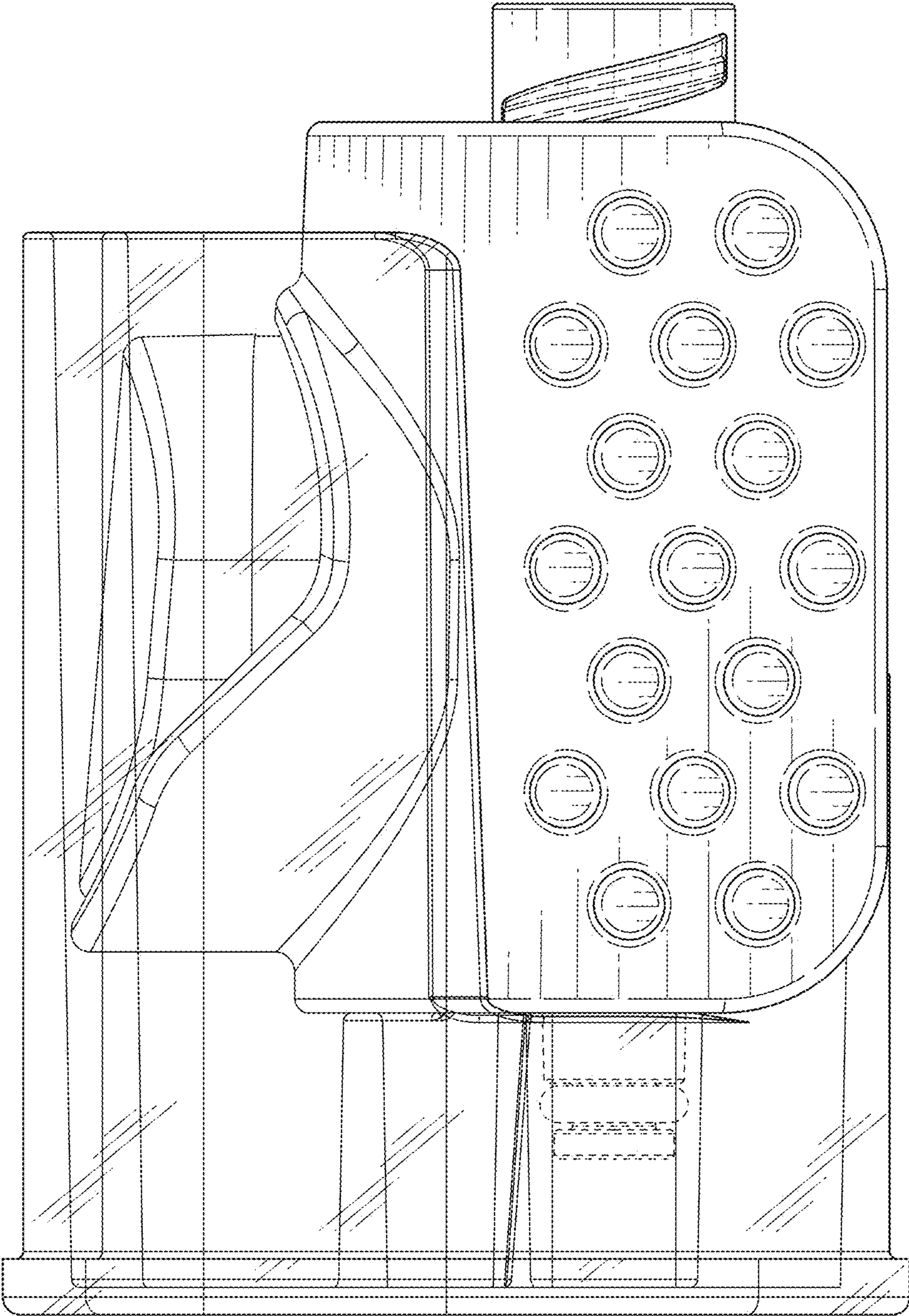


FIG. 5

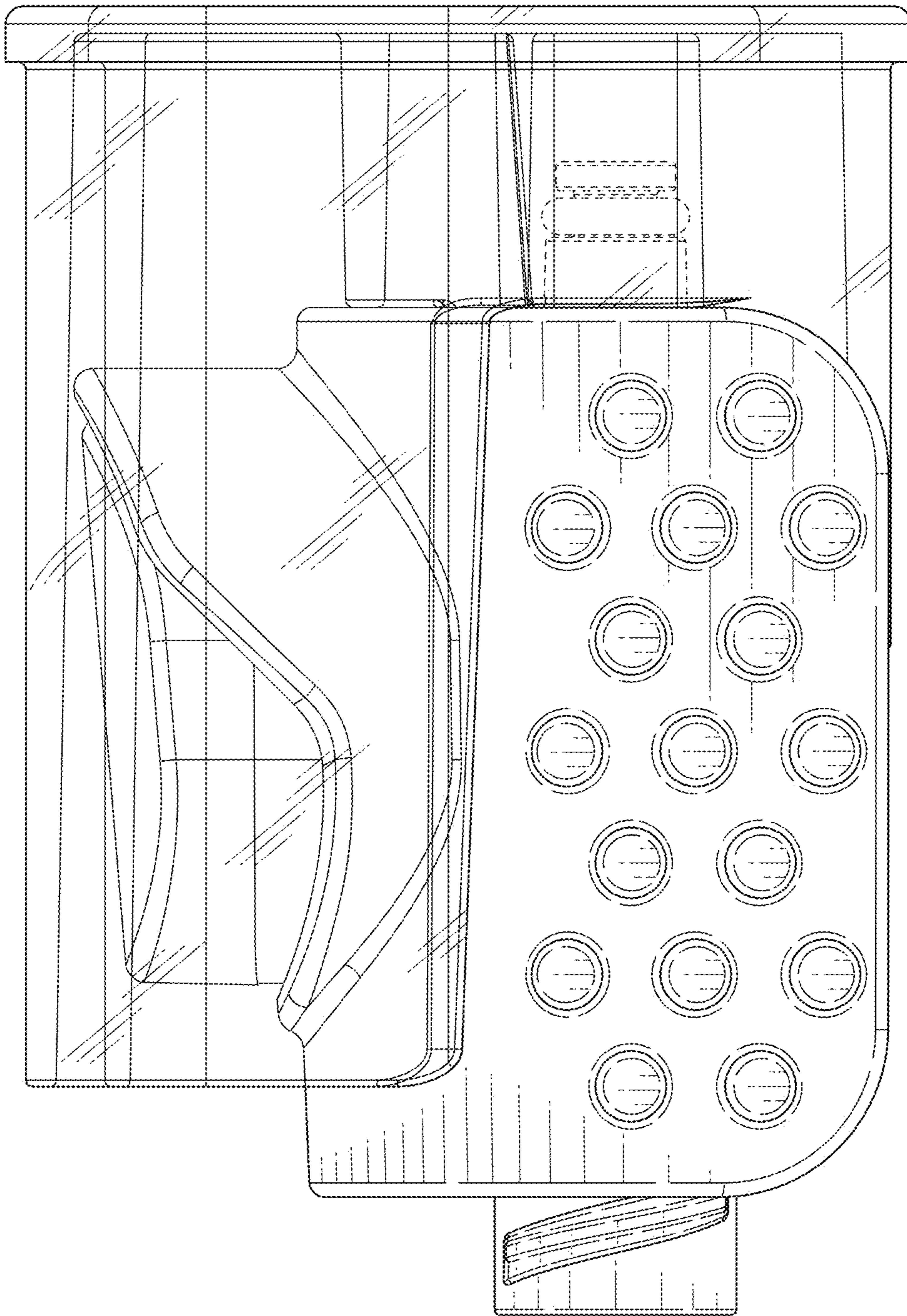


FIG. 6

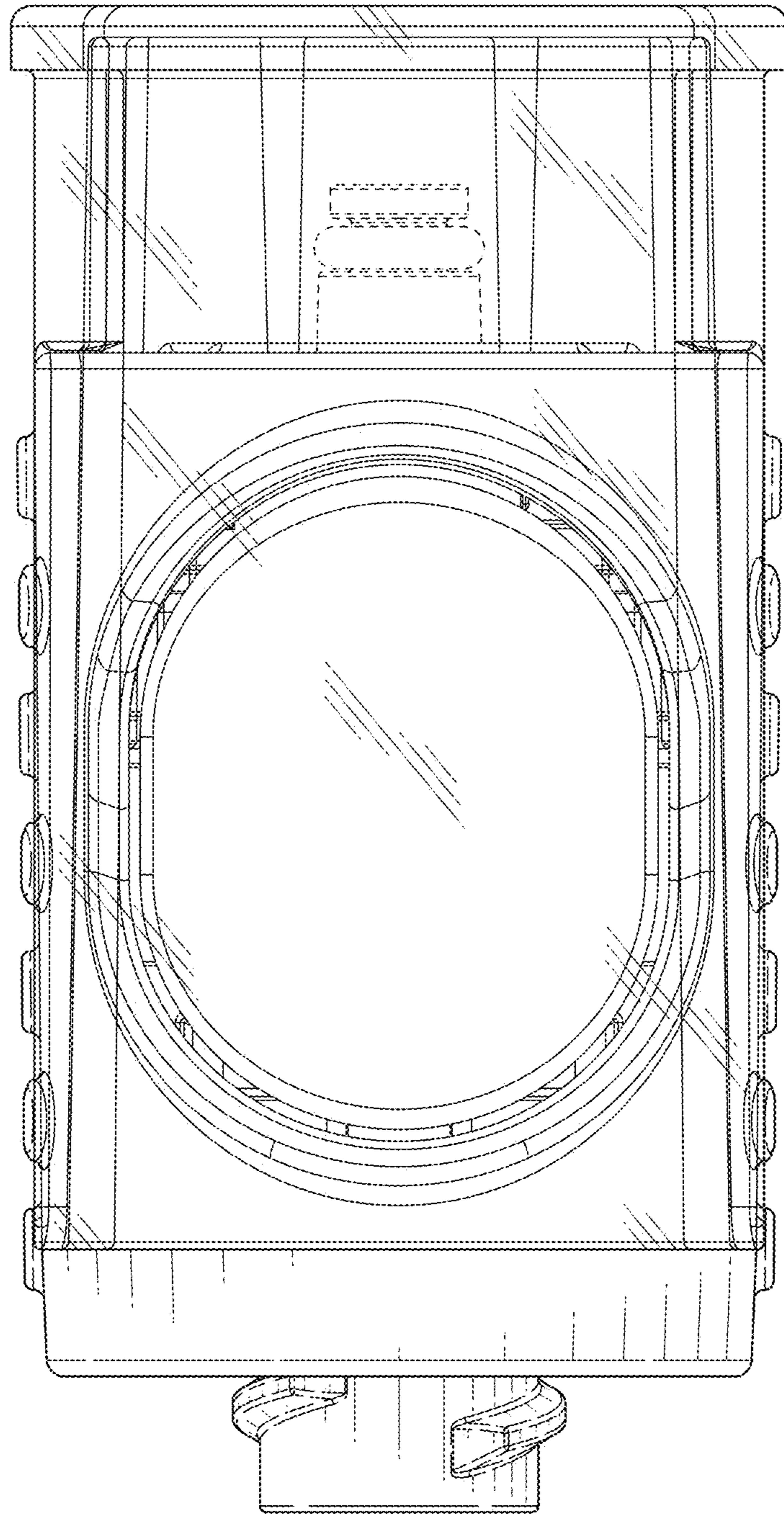


FIG. 7

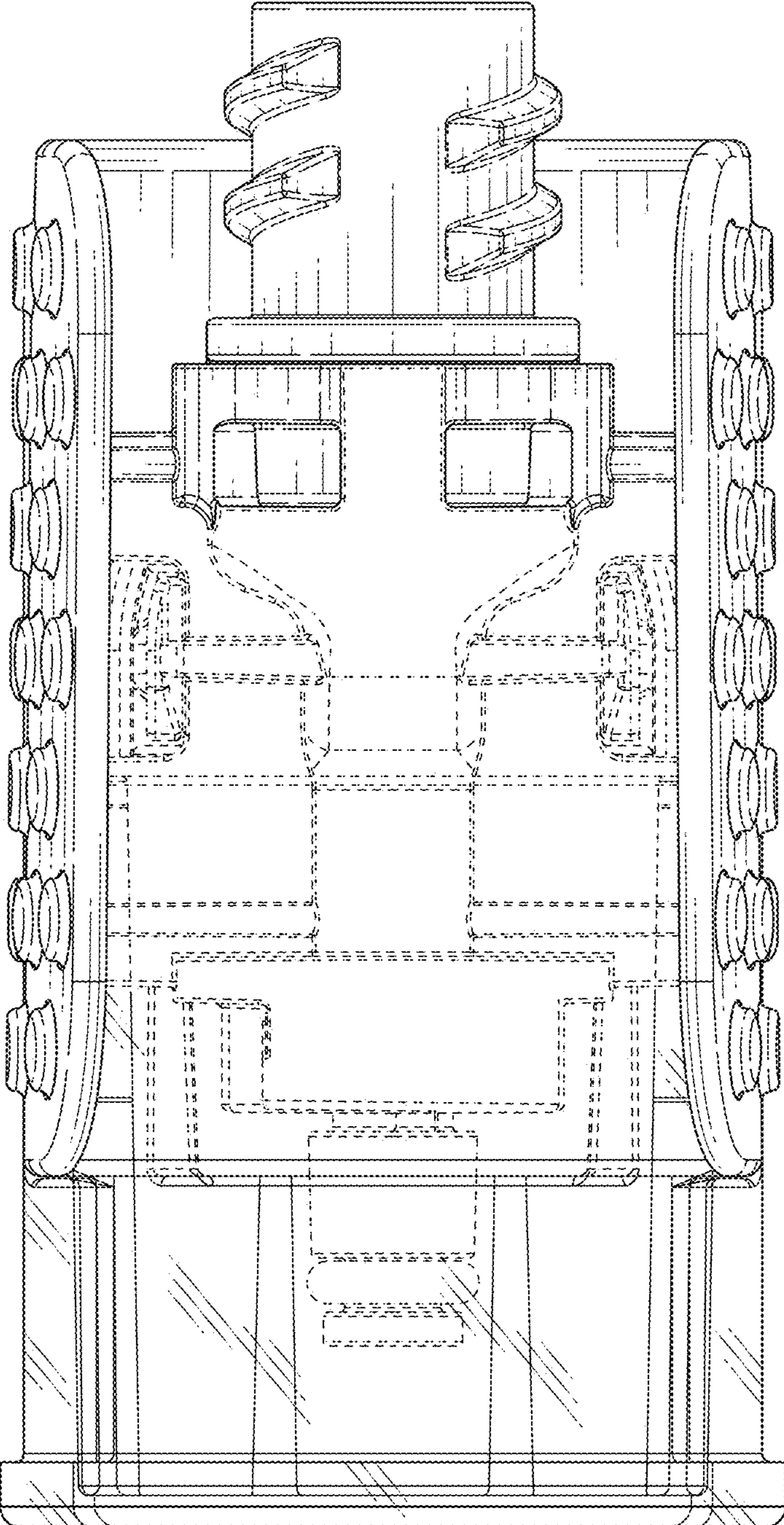


FIG. 8