



US00D980974S

(12) **United States Design Patent** (10) **Patent No.:** **US D980,974 S**
O'Donnell et al. (45) **Date of Patent:** **** Mar. 14, 2023**

(54) **SUPPORT APPARATUS WITH LIQUID CONTAINER**

FOREIGN PATENT DOCUMENTS

(71) Applicant: **Fisher & Paykel Healthcare Limited**, Auckland (NZ)

CN 101378810 3/2009
DE 10323754 12/2004

(Continued)

(72) Inventors: **Kevin Peter O'Donnell**, Auckland (NZ); **Andrew Paul Maxwell Salmon**, Auckland (NZ); **Andre Van Schalkwyk**, Auckland (NZ)

OTHER PUBLICATIONS

(73) Assignee: **Fisher & Paykel Healthcare Limited**, Auckland (NZ)

CPAP Hose Holder: Announced [Dec. 3, 2019 (online). Site visited [Apr. 7, 2022]. Availalbe from Internet URL: <https://www.amazon.com/Strong-Holding-Tangling-Accessories-Supplies/dp/B086QK26DK>.*

(**) Term: **15 Years**

(Continued)

(21) Appl. No.: **29/708,043**

(22) Filed: **Oct. 2, 2019**

Primary Examiner — Catherine S Posthauer

(51) **LOC (14) Cl.** **24-02**

(74) *Attorney, Agent, or Firm* — Knobbe Martens Olson & Bear LLP

(52) **U.S. Cl.**

USPC **D24/128**

(58) **Field of Classification Search**

USPC D24/112, 121, 127, 128, 162, 194, 196, D24/227, 185, 186; D9/414, 416, 417, D9/420, 434, 435, 443, 446, 455, 695, D9/696, 683, 688; D3/201, 203.1, 315, D3/202, 207, 208, 318; D7/300, 600, D7/600.1, 601, 602, 393, 401.1, 637, D7/701-708, 387, 396, 398, 401; D6/553, 512, 681, 682; D19/90; D23/366, 368; D8/349, 354, 373, 380, D8/381, 382, 383, 394; D12/400, 415, D12/417, 420, 187, 191, 223

CPC B65D 85/8064; B65D 85/8043; B65D 77/20; B65D 25/48; B65D 2543/00046; B65D 2543/00092; B65D 2585/56; B65D 2585/545; B65D 25/54; B65D 23/104;

(Continued)

(57) **CLAIM**

The ornamental design for a support apparatus with liquid container, as shown and described.

DESCRIPTION

FIG. 1 is a top, front, left side perspective view of a support apparatus with a liquid container, showing our new design; FIG. 2 is a front view thereof. FIG. 3 is a rear view thereof. FIG. 4 is a left side view thereof. FIG. 5 is a right side view thereof. FIG. 6 is a top view thereof; and, FIG. 7 is a bottom view thereof.

The evenly broken lines are shown for the purpose of illustrating parts of the article that form no part of the claim. The dot-dash lines represent the boundaries of the claim and form no part thereof.

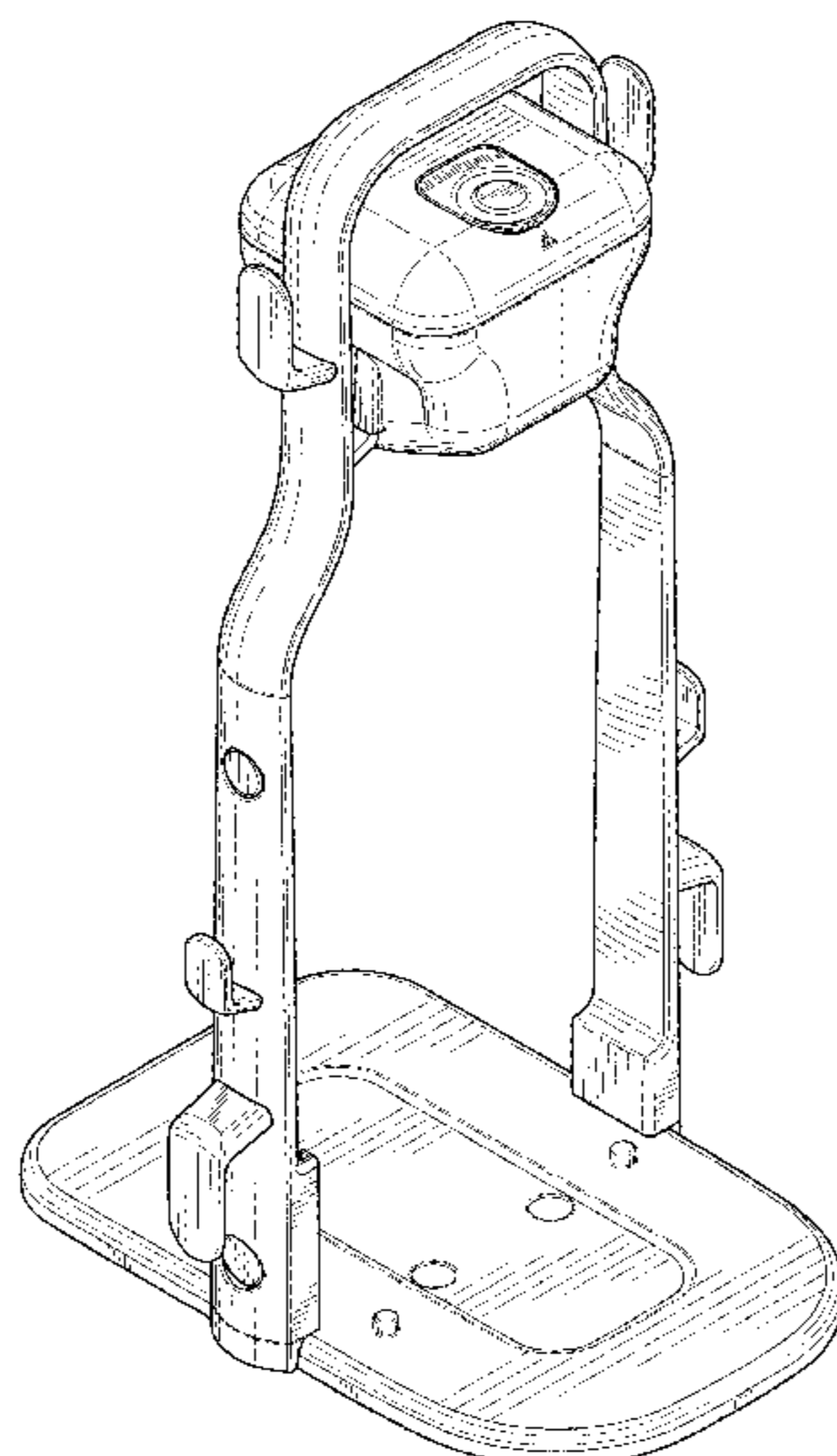
(56) **References Cited**

U.S. PATENT DOCUMENTS

3,040,741 A 6/1962 Carolan
3,599,635 A 8/1971 Ansite

(Continued)

1 Claim, 7 Drawing Sheets



(58) **Field of Classification Search**

CPC .. B65D 23/108; B65D 1/0246; B65D 1/0284;
 B65D 41/62; A47J 31/407; A47J 31/04;
 A47J 31/10; A47J 31/24; A47J 47/16;
 A47J 47/00; A23F 5/24; B05B 11/0032;
 B05B 11/0027; B05B 11/3004; B05B
 11/3015; B05B 11/306; B05B 11/3064;
 B05B 11/3059; B65B 29/06; A45D
 33/24; A45D 33/26; A45D 33/28; A45D
 40/00; A45D 40/02; A45D 40/06; A45D
 40/18; A45D 40/20; A45D 40/24; A45D
 40/262; A45D 34/00; A45D 34/04; A45D
 34/06; A45D 34/041; A47G 7/044; A47B
 81/04; A45F 3/16; A45F 5/00; A45F
 2200/0583

See application file for complete search history.

(56) **References Cited**

U.S. PATENT DOCUMENTS

4,571,245 A * 2/1986 Hubbard A61M 25/02
 604/179
 4,776,469 A * 10/1988 Geleziunas A47J 47/16
 211/41.11
 D357,824 S * 5/1995 Chan D6/682
 5,498,242 A * 3/1996 Cooke A61M 5/3213
 128/919
 D518,893 S * 4/2006 Ugent D24/128
 D599,012 S * 8/2009 Falbaum D24/121
 7,942,380 B2 5/2011 Bertinetti et al.
 8,316,848 B2 11/2012 Kwok et al.
 D714,900 S * 10/2014 Benson D23/206
 9,072,543 B2 7/2015 Miller et al.
 9,182,062 B2 11/2015 Kwok et al.
 D799,693 S * 10/2017 Mueller D24/128
 D802,757 S * 11/2017 Snyder A61M 37/0069
 D24/128
 D804,659 S * 12/2017 Hood D24/128
 9,872,703 B2 1/2018 Miller et al.
 D817,486 S * 5/2018 Corato A61M 25/02
 D24/128

10,058,666 B2 8/2018 Kwok et al.
 D853,557 S * 7/2019 Formica D24/128
 D873,589 S * 1/2020 Pilat D6/682.6
 D923,367 S * 6/2021 Hornbacher D6/672
 D925,001 S * 7/2021 Guy D23/208
 2007/0045152 A1 3/2007 Kwok et al.
 2010/0218764 A1 9/2010 Kwok et al.
 2011/0203587 A1 8/2011 Bertinetti et al.
 2016/0022935 A1 1/2016 Kwok et al.
 2016/0317392 A1 11/2016 Harris et al.
 2018/0132894 A1 5/2018 Miller et al.
 2018/0147374 A1 5/2018 Salmon
 2020/0282347 A1 * 9/2020 Guy B01D 35/306
 2022/0090741 A1 * 3/2022 Schaub F17C 13/084

FOREIGN PATENT DOCUMENTS

DE 102007026565 12/2007
 FR 2901998 12/2007
 WO WO2004084981 10/2004
 WO WO2007019624 2/2007
 WO WO 2010/066004 6/2010
 WO WO 2010/073142 7/2010

OTHER PUBLICATIONS

CPAP Hose Hanger: announced Nov. 12, 2021 (online). Site Visited (Apr. 7, 2022). Available from URL: https://www.amazon.com/Anti-Skid-Function%EF%BC%8CCPAP-Organizer-Headband-Combined/dp/B09LRFXXHH1/ref=pd_sbs_sccI_5/131-8039134-8767045?pd_rd_w=TD8nY&pf_rd_p=dfec2022-428d-4b18-a6d4-8f791333a139&pf_rd_r=FMHK4JCPKF7VfV12X54B&pd_rd_r=5c9da372-ac63-4e3b-a858-8ae987eefbfd&pd_rd_wg=36iJH&pd_rd_i=B09LRFXXHH1&psc=1.
 Fisher & Paykel Healthcare Limited, myAIRVO Compact Stand (900PT400) User Instructions (revision B), 2010, in 2 pages.
 China National Intellectual Property Administration, Notification of Fourth Office Action, Application No. 201710012091.4, dated Sep. 24, 2020, in 8 pages.

* cited by examiner

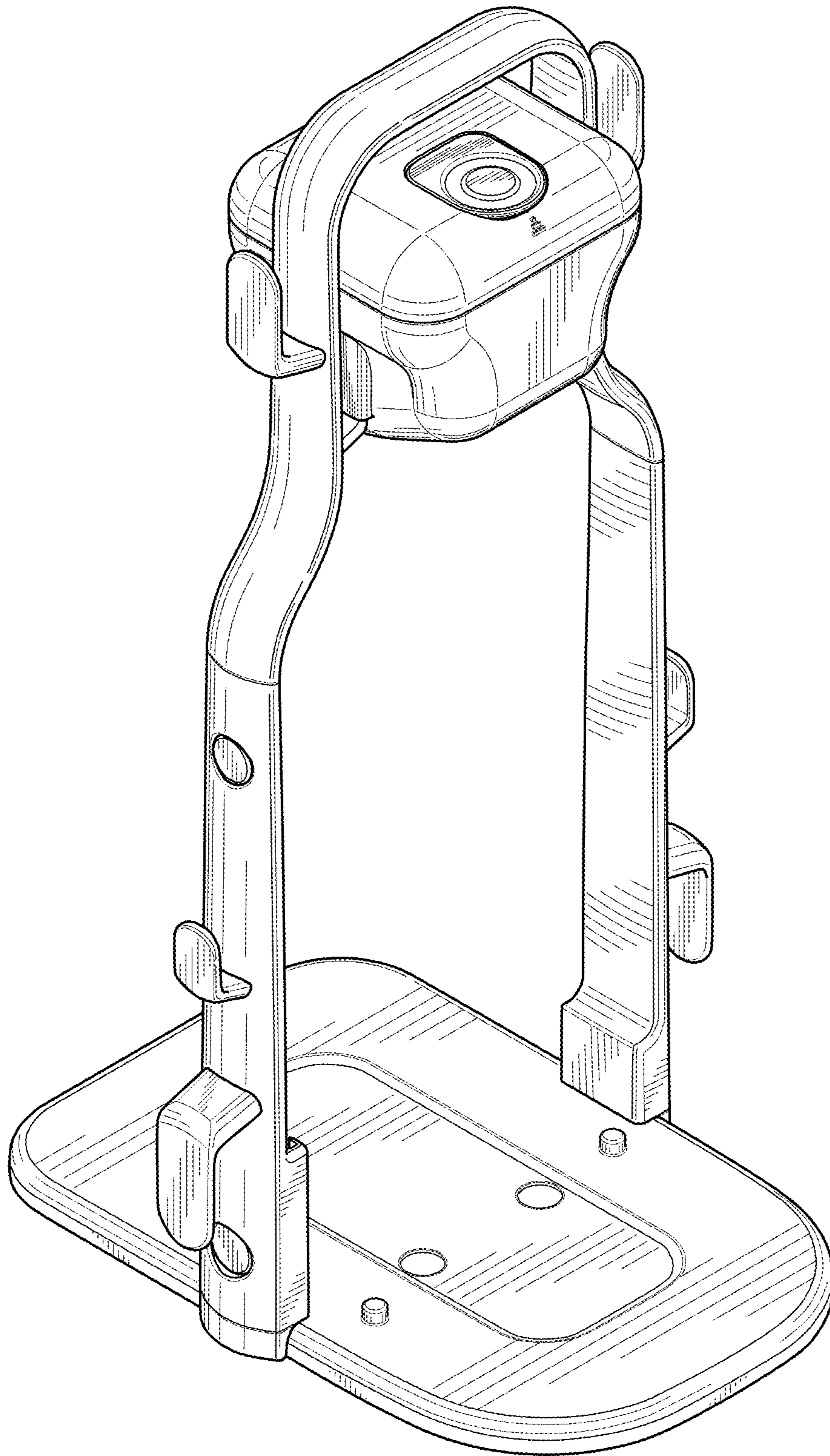


FIG. 1

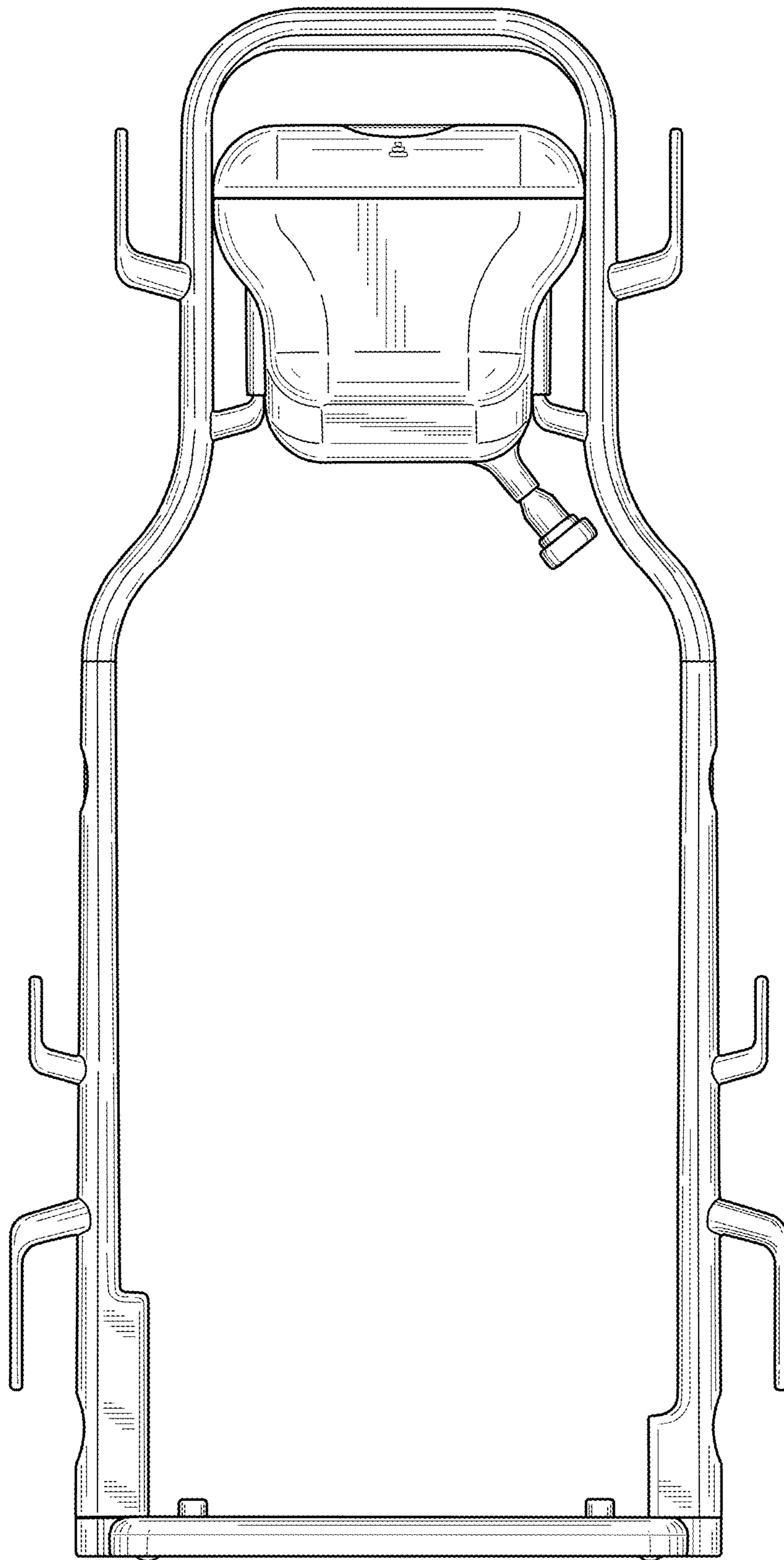


FIG. 2

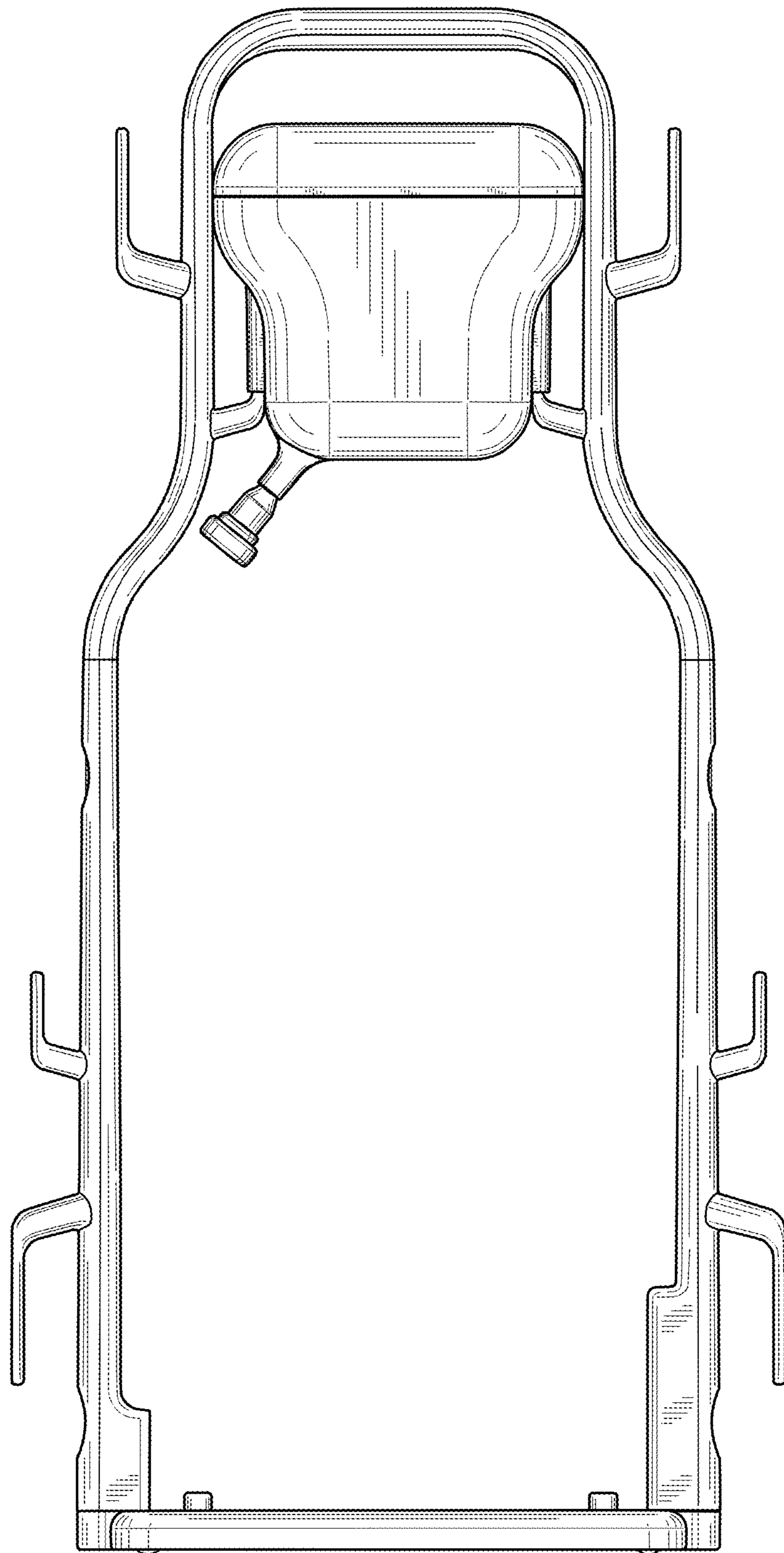


FIG. 3

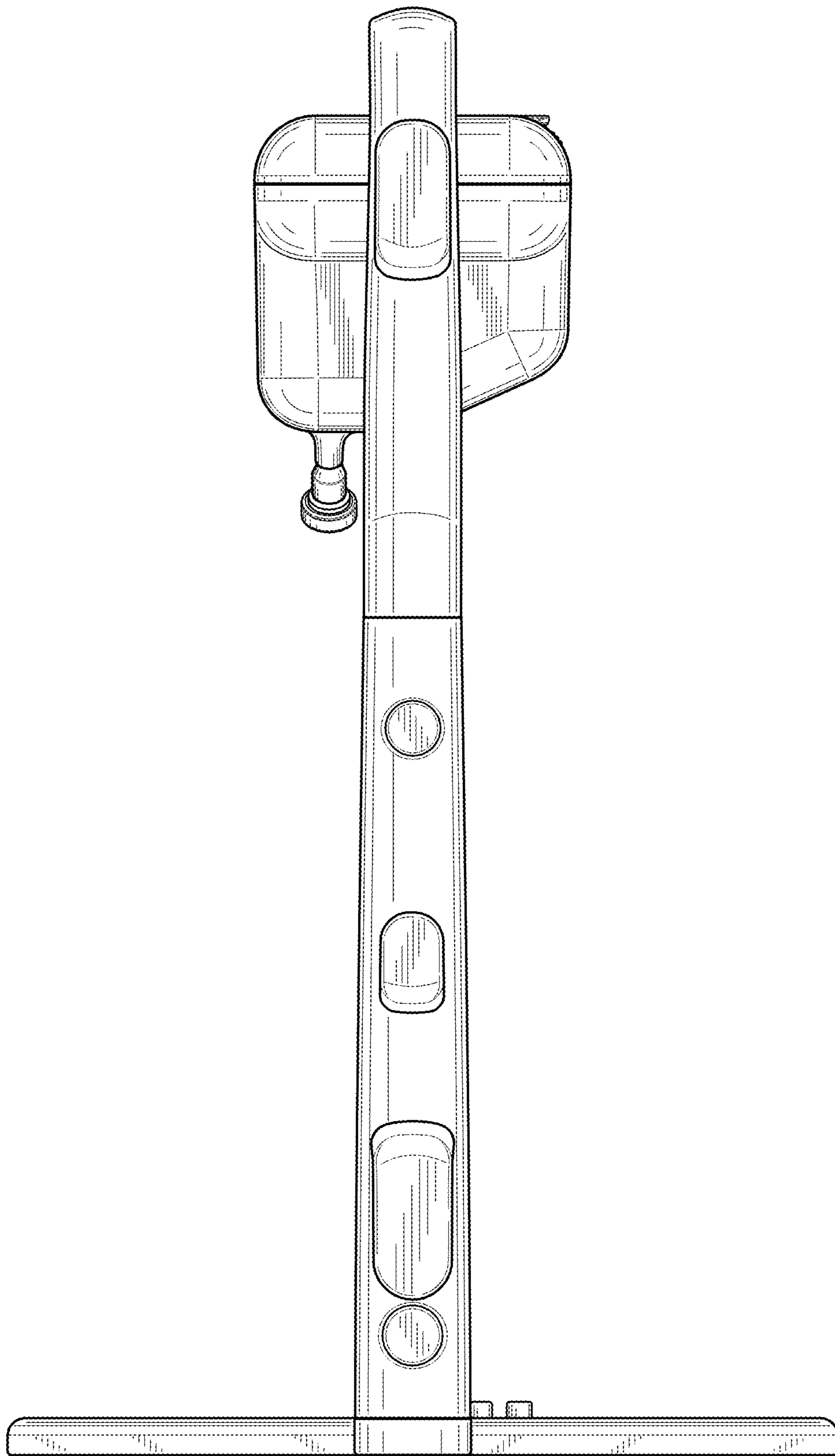


FIG. 4

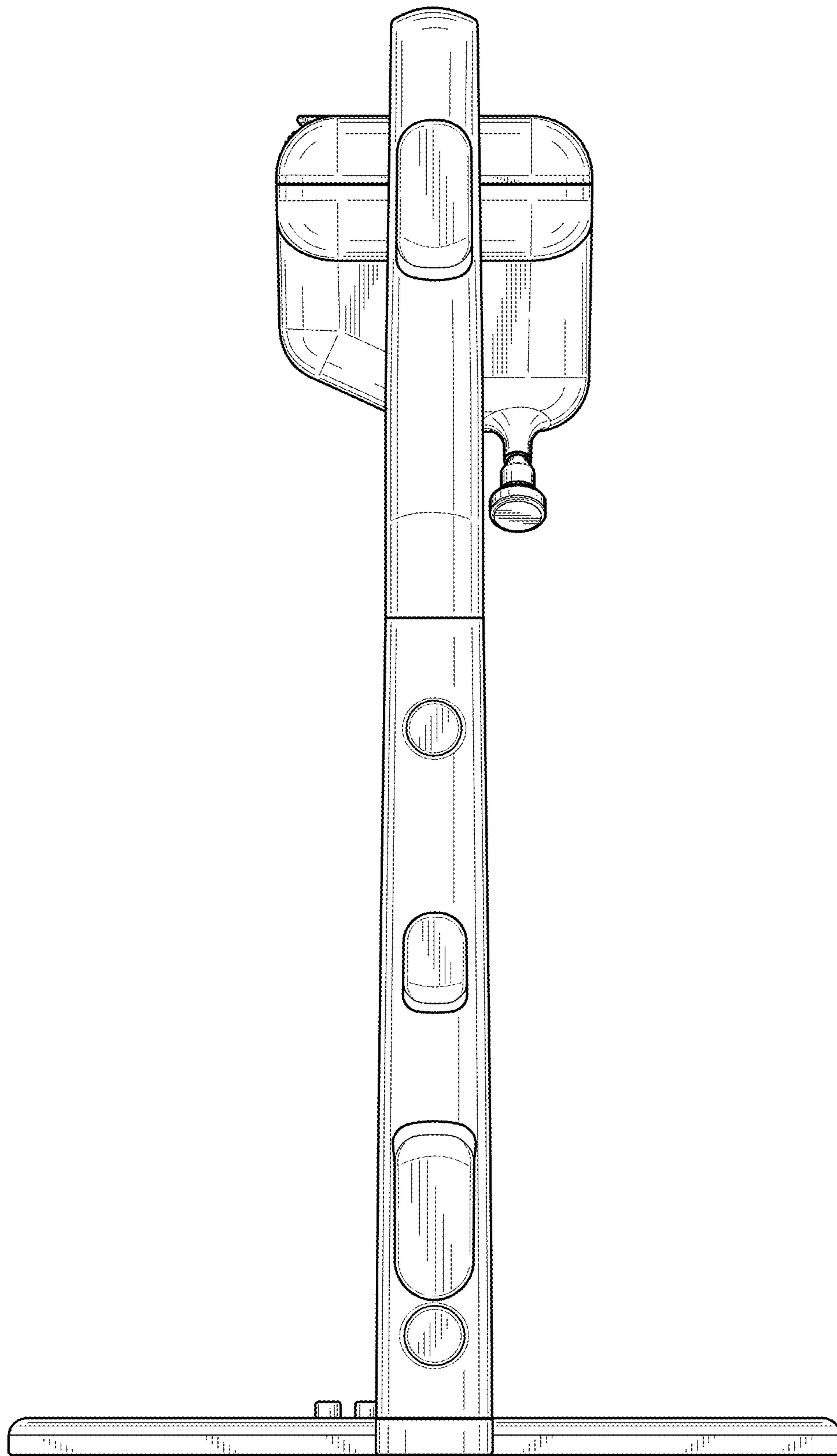


FIG. 5

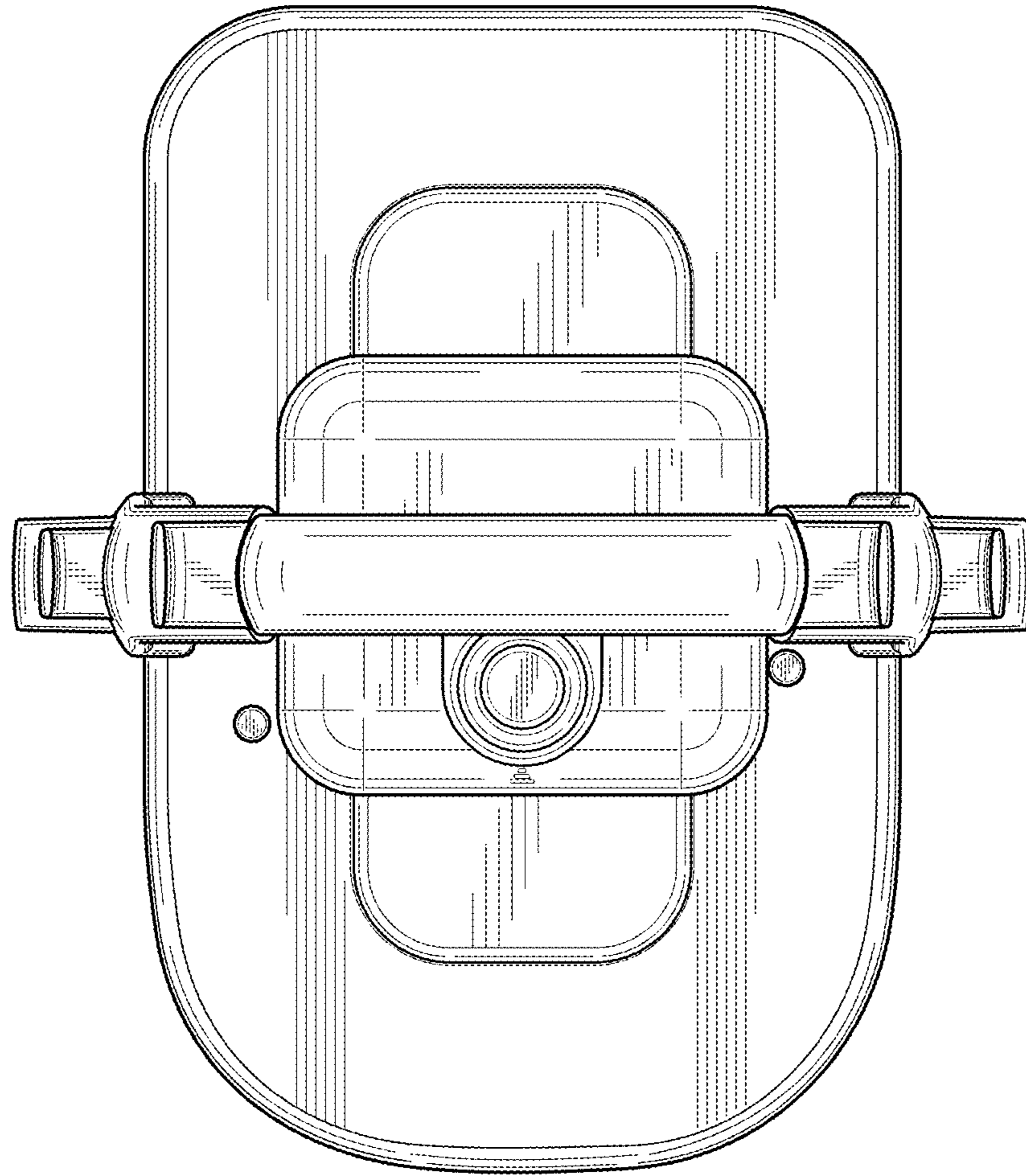


FIG. 6

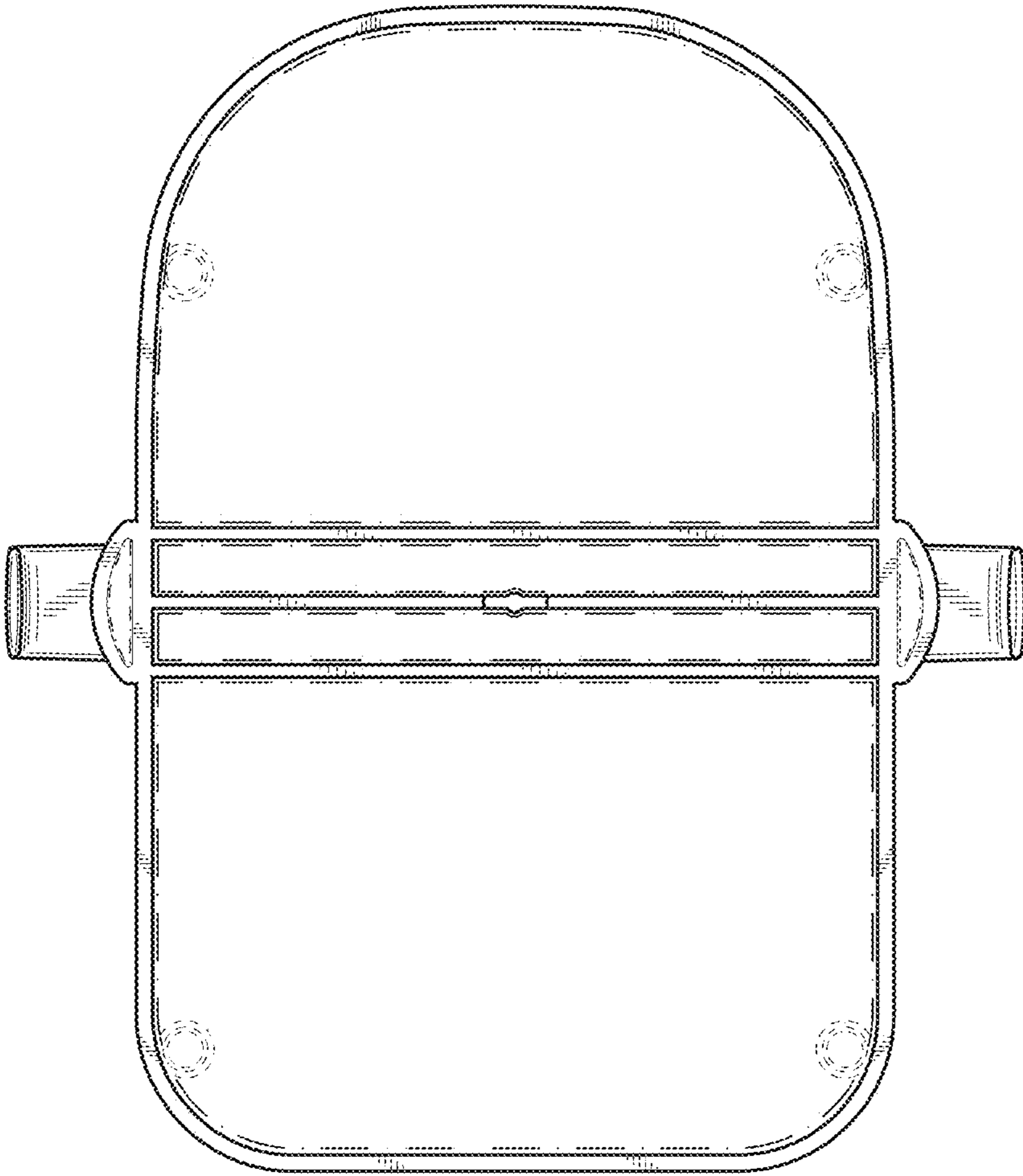


FIG. 7