



US00D980969S

(12) **United States Design Patent** (10) **Patent No.:** **US D980,969 S**  
**Yang** (45) **Date of Patent:** **\*\* Mar. 14, 2023**

(54) **WATER FLOSSER**  
(71) Applicant: **SHENZHEN JIANKE INDUSTRIAL CO., LTD**, Shenzhen (CN)  
(72) Inventor: **Jiaxin Yang**, Shenzhen (CN)  
(73) Assignee: **SHENZHEN JIANKE INDUSTRIAL CO., LTD**, Shenzhen (CN)

D809,650 S \* 2/2018 Kim ..... D24/111  
D822,825 S \* 7/2018 Au ..... D24/111  
D833,600 S \* 11/2018 Porter ..... D24/111  
D851,239 S \* 6/2019 Chen ..... D24/111  
D872,855 S \* 1/2020 Porter ..... D24/111  
D873,409 S \* 1/2020 Kim ..... D24/111  
D888,230 S \* 6/2020 Li ..... D24/111

(Continued)

(\*\*) Term: **15 Years**  
(21) Appl. No.: **29/760,520**

CN 305747647 \* 4/2020  
CN 306067036 \* 9/2020

**FOREIGN PATENT DOCUMENTS**

(22) Filed: **Dec. 2, 2020**

**OTHER PUBLICATIONS**

(30) **Foreign Application Priority Data**

How to Use the Waterpik® Ultra Water Flosser, Oct. 30, 2020, youtube.com [online], [site visited Jun. 17, 2022], Available from Internet, URL: <https://www.youtube.com/watch?v=6IWWbOqMhdQ> (Year: 2020).\*

Nov. 16, 2020 (CN) ..... 202030692365.1

(Continued)

(51) **LOC (14) Cl.** ..... **24-02**

(52) **U.S. Cl.**  
USPC ..... **D24/111**

*Primary Examiner* — Wendy L Arminio  
*Assistant Examiner* — Maheen Khurshid

(58) **Field of Classification Search**  
USPC ..... D24/108, 111–115, 117, 121, 152, 156, D24/176; D4/101, 102, 110, 111, 138  
CPC ... A61C 17/0202; A61C 17/028; A61C 17/02; A61C 17/0211; A61C 17/36; A61C 1/0015; A61C 17/16; A61C 17/34; A61C 15/00; A61C 15/041; A61C 1/0061; A61C 17/3481; A61C 15/046; A61C 15/04; A61C 17/0205; A61C 17/024  
See application file for complete search history.

(57) **CLAIM**

The ornamental design for a water flosser, as shown and described.

**DESCRIPTION**

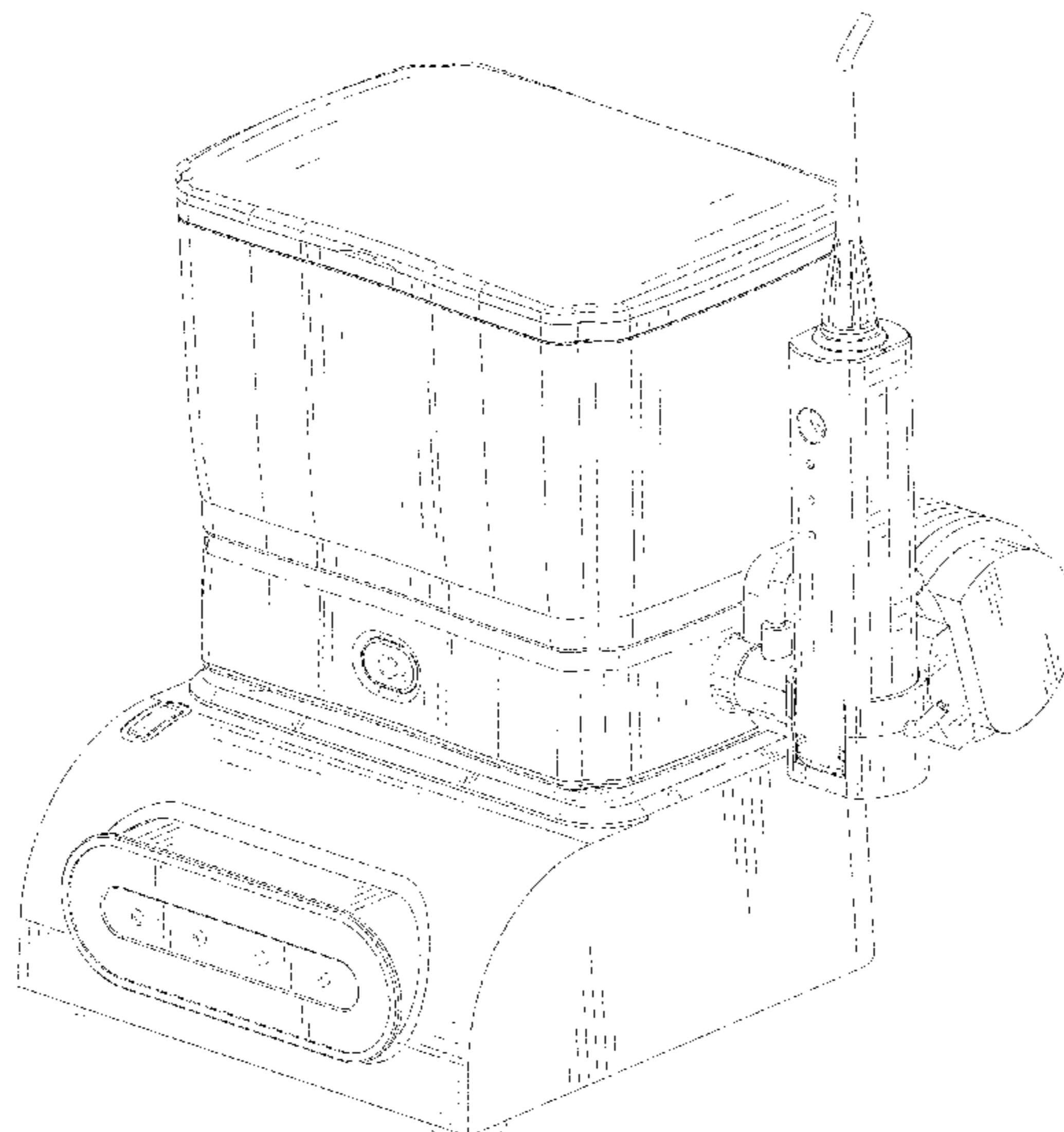
(56) **References Cited**

**U.S. PATENT DOCUMENTS**

D270,000 S \* 8/1983 Ketler ..... D24/111  
D388,612 S \* 1/1998 Stutzer ..... D24/111  
D437,049 S \* 1/2001 Hartwein ..... D24/111  
D484,971 S \* 1/2004 Hartwein ..... D24/111  
D740,936 S \* 10/2015 Kim ..... D24/111  
D764,051 S \* 8/2016 Wang ..... D24/111  
D766,423 S \* 9/2016 Kim ..... D24/111

FIG. 1 is a perspective view of a water flosser showing my new design;  
FIG. 2 is another perspective view thereof;  
FIG. 3 is a front elevational view thereof;  
FIG. 4 is a rear elevational view thereof;  
FIG. 5 is a left side elevational view thereof;  
FIG. 6 is a right side elevational view thereof;  
FIG. 7 is a top plan view thereof; and,  
FIG. 8 is a bottom plan view thereof.  
The broken lines in the drawings depict portions of the water flosser that form no part of the claimed design.

**1 Claim, 8 Drawing Sheets**



(56)

**References Cited**

U.S. PATENT DOCUMENTS

D912,241	S	*	3/2021	Senff	.....	D24/111
D936,210	S	*	11/2021	Yu	.....	D24/111
D945,600	S	*	3/2022	Li	.....	D24/111
D947,367	S	*	3/2022	Senff	.....	D24/111
D948,031	S	*	4/2022	Senff	.....	D24/111
2012/0045730	A1	*	2/2012	Sayder	.....	A61L 2/0047 433/29
2017/0049530	A1	*	2/2017	Cacka	.....	A61H 13/005
2018/0263742	A1	*	9/2018	Taylor	.....	A61Q 11/00
2020/0268494	A1	*	8/2020	Senff	.....	A61C 17/0205
2020/0337816	A1	*	10/2020	Hung	.....	A61C 17/0205

OTHER PUBLICATIONS

FC166 Countertop Sidekick Water Flosser, Jan. 21, 2019, youtube.com [online], [site visited Jun. 17, 2022], Available from Internet, URL: <<https://www.youtube.com/watch?v=eXw-64r2GGM>> (Year: 2019).\*

4M Dental Implant Center—The Correct Way to Use a Water Pick, Jan. 16, 2019, youtube.com [online], [site visited Jun. 17, 2022], Available from Internet, URL: <<https://www.youtube.com/watch?v=b-NSKNcFNE8>> (Year: 2019).\*

\* cited by examiner

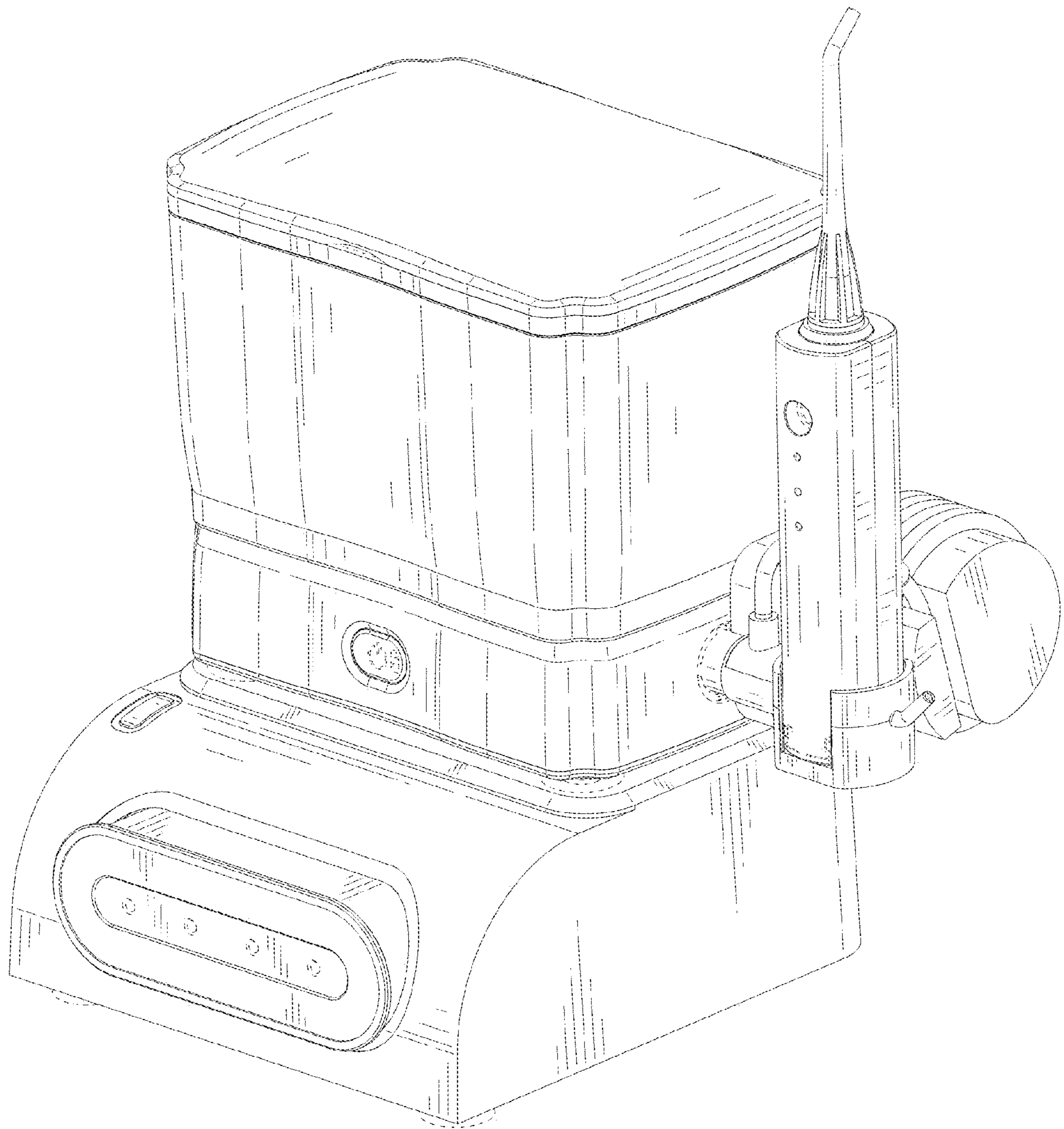


FIG. 1

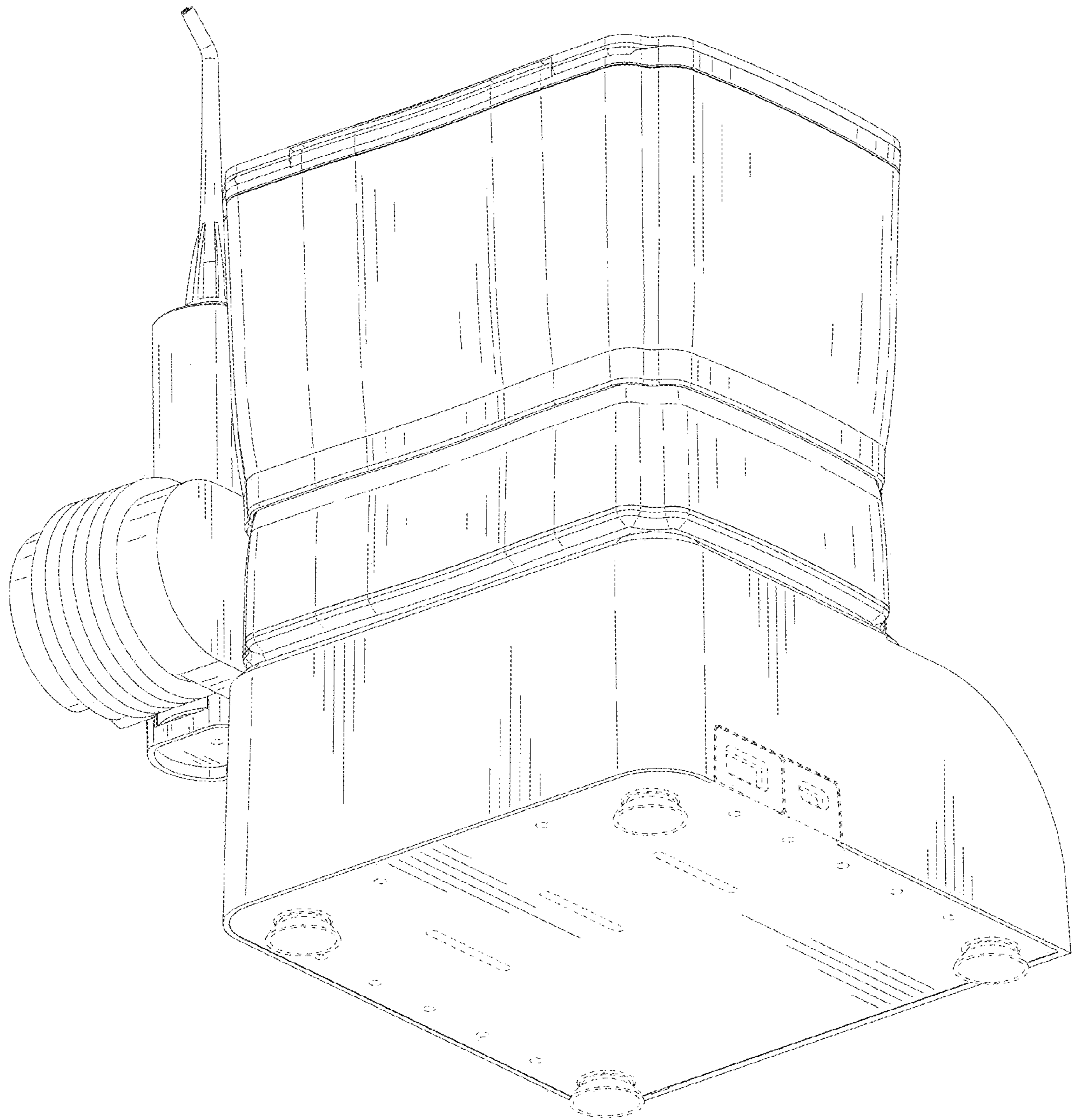


FIG. 2

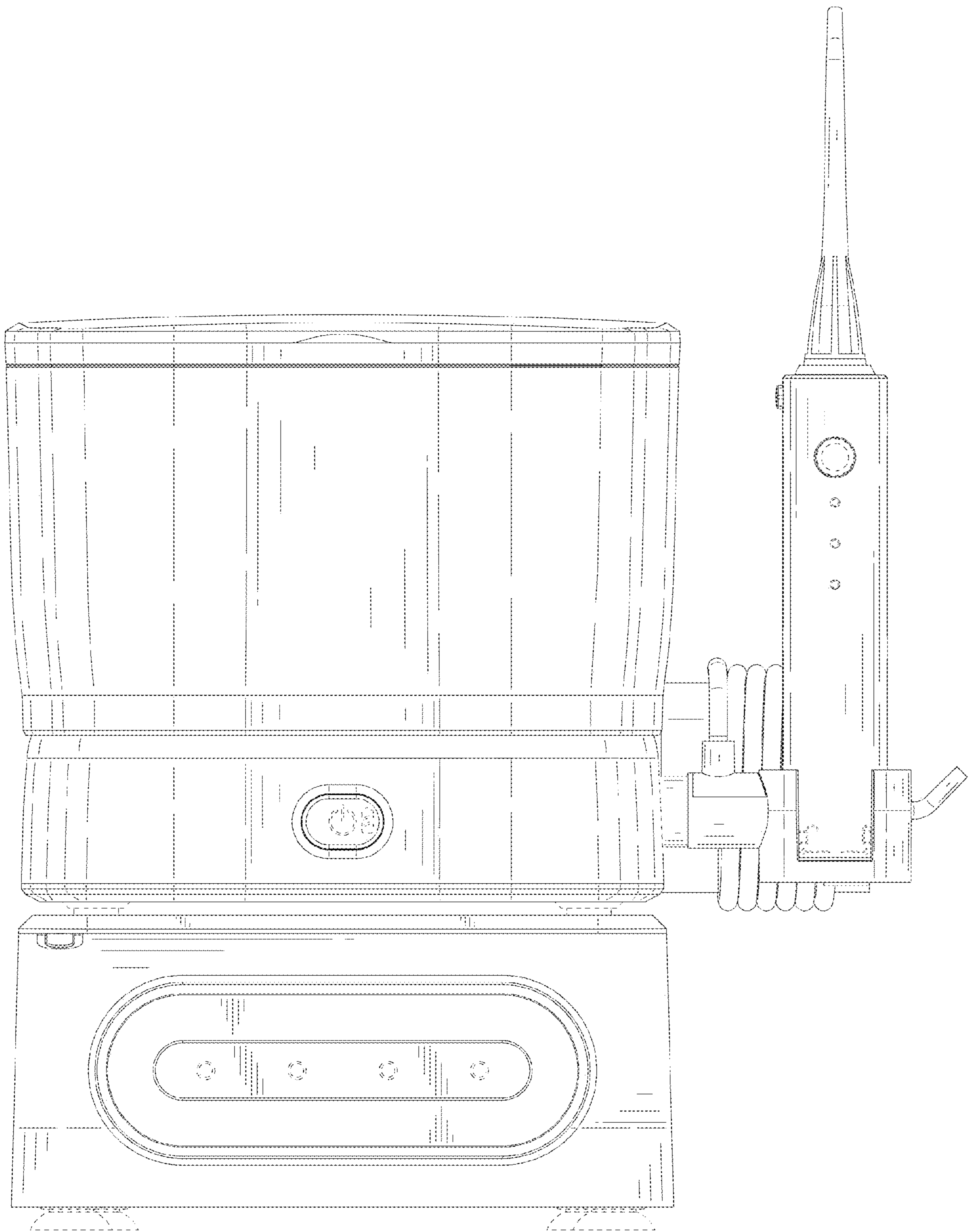


FIG. 3

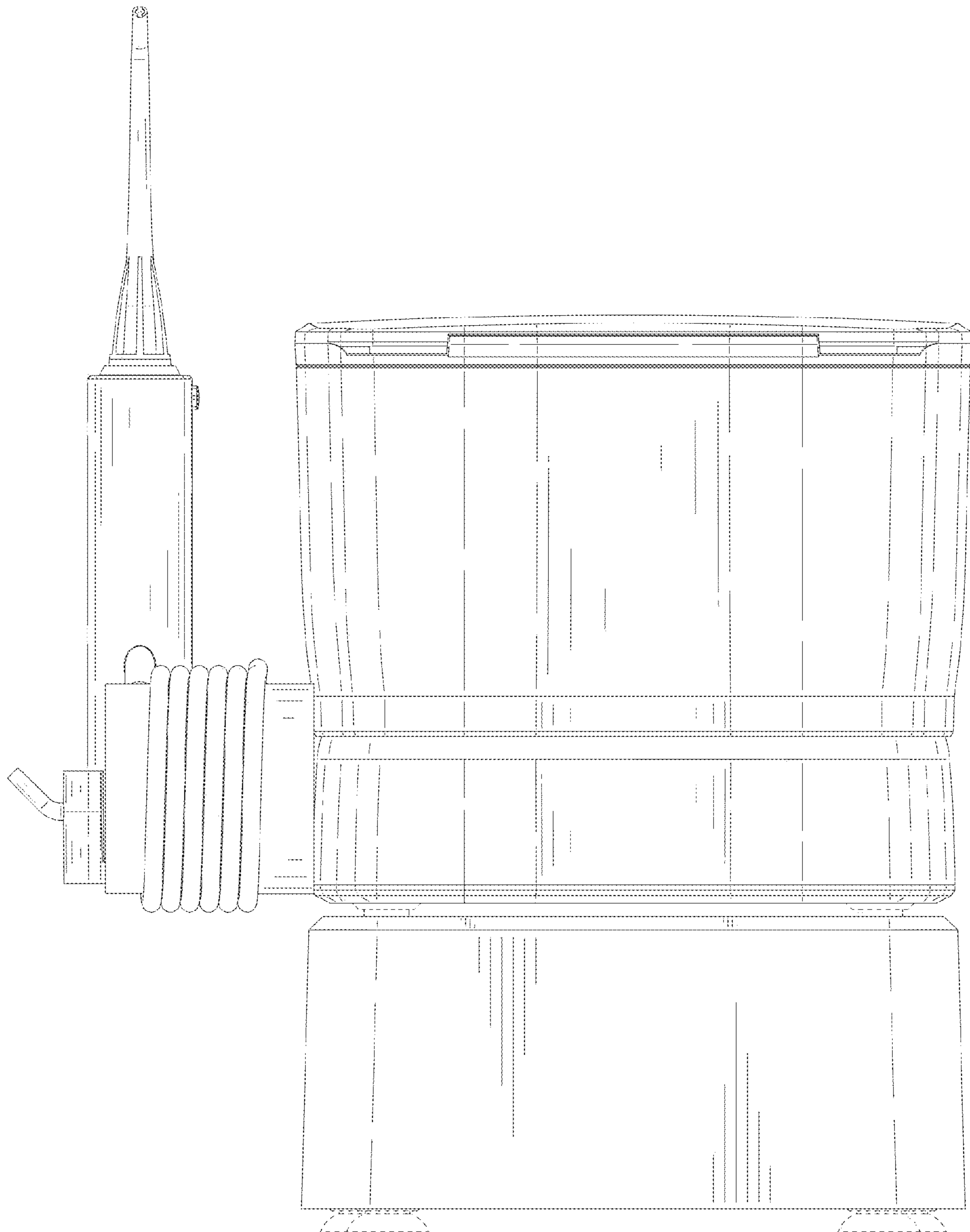


FIG. 4

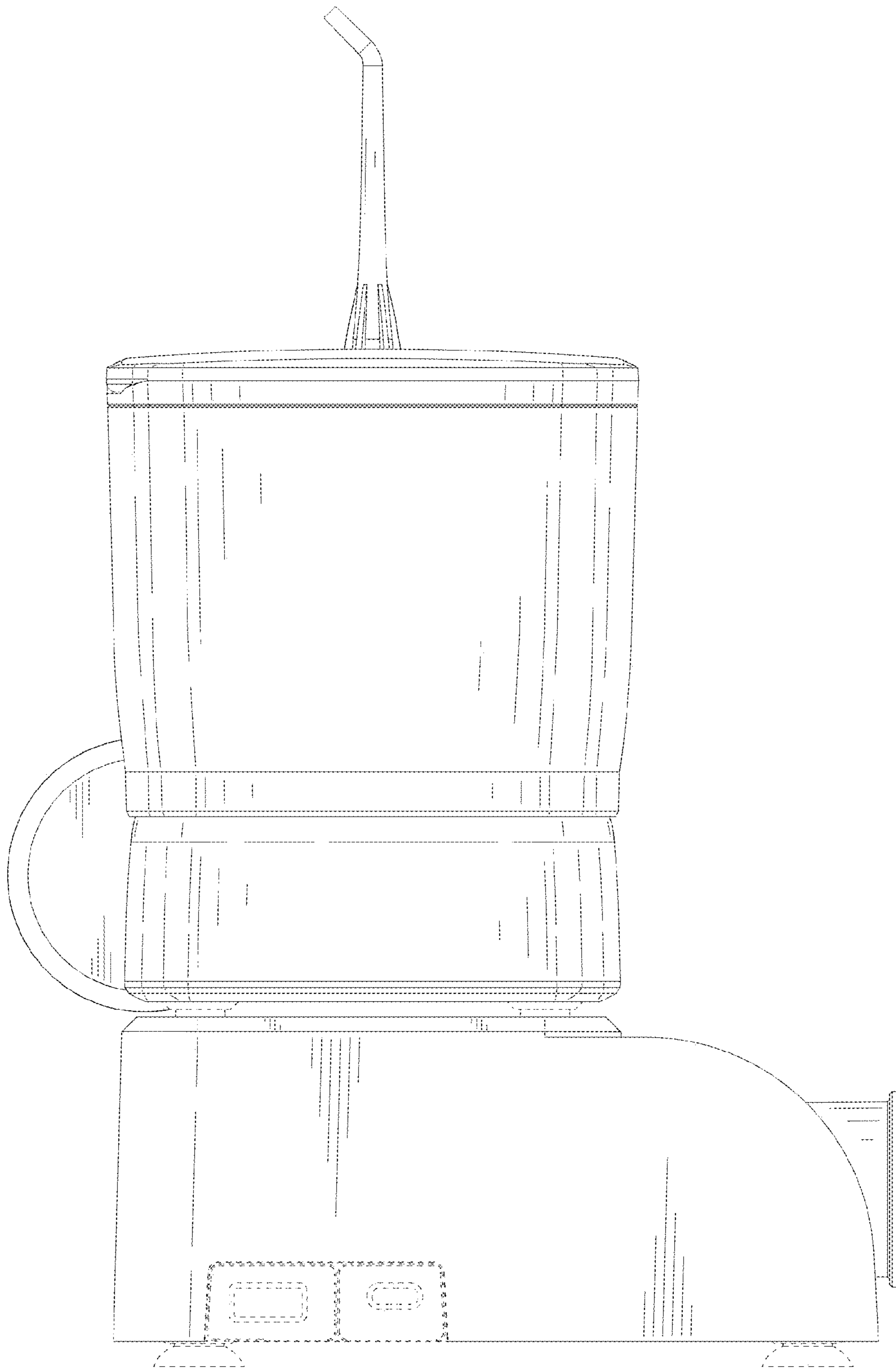


FIG. 5

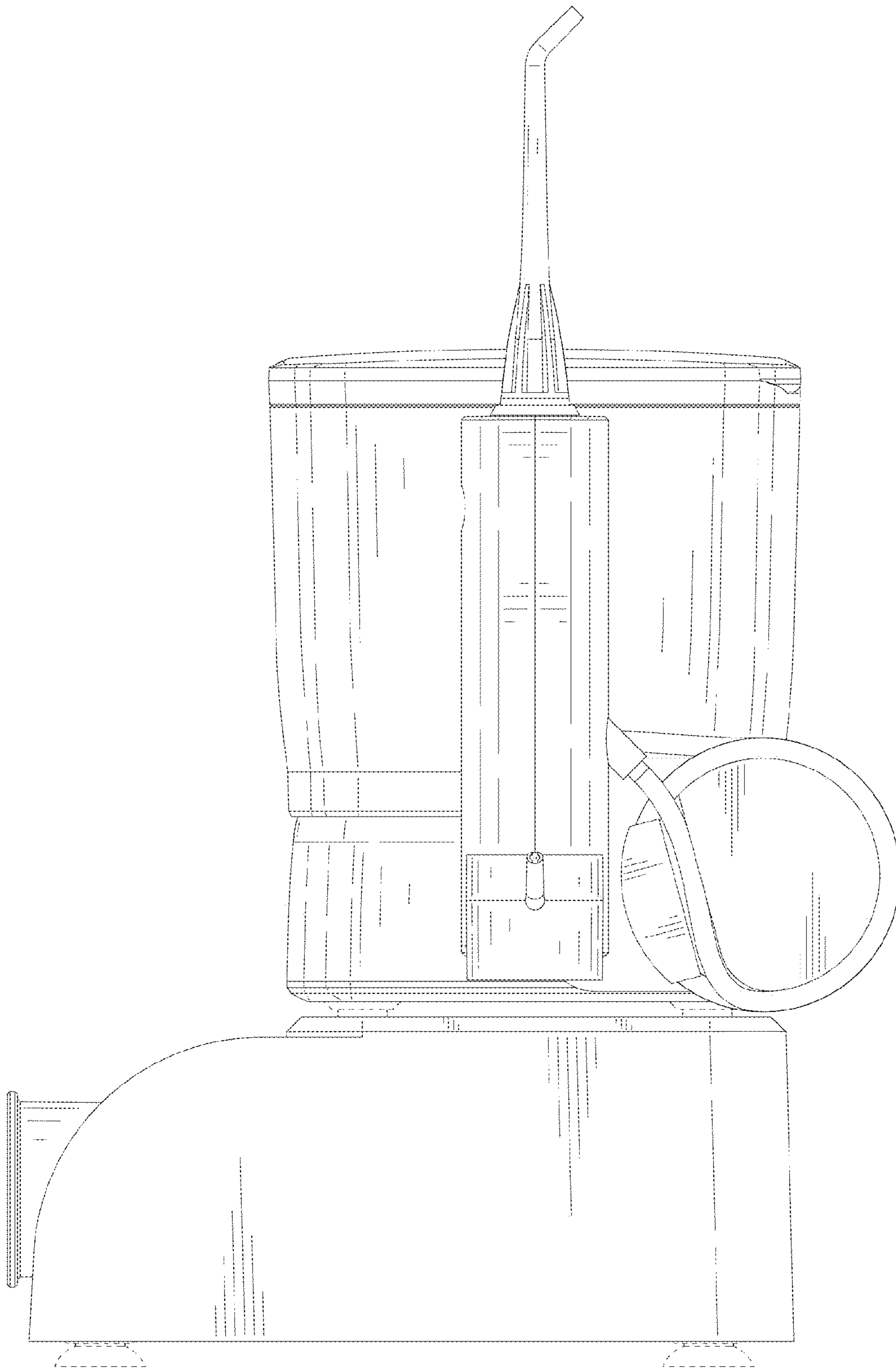


FIG. 6



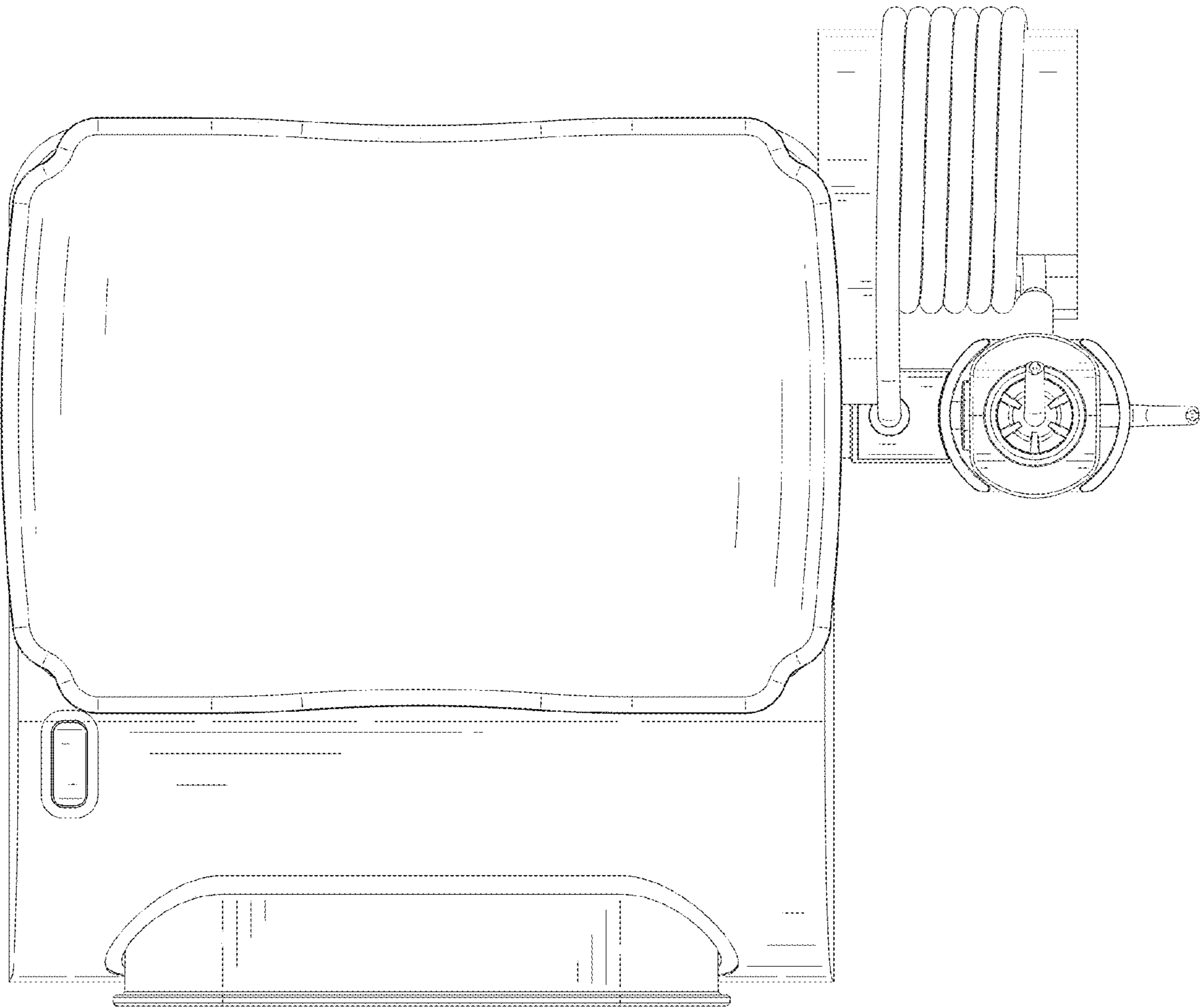


FIG. 7

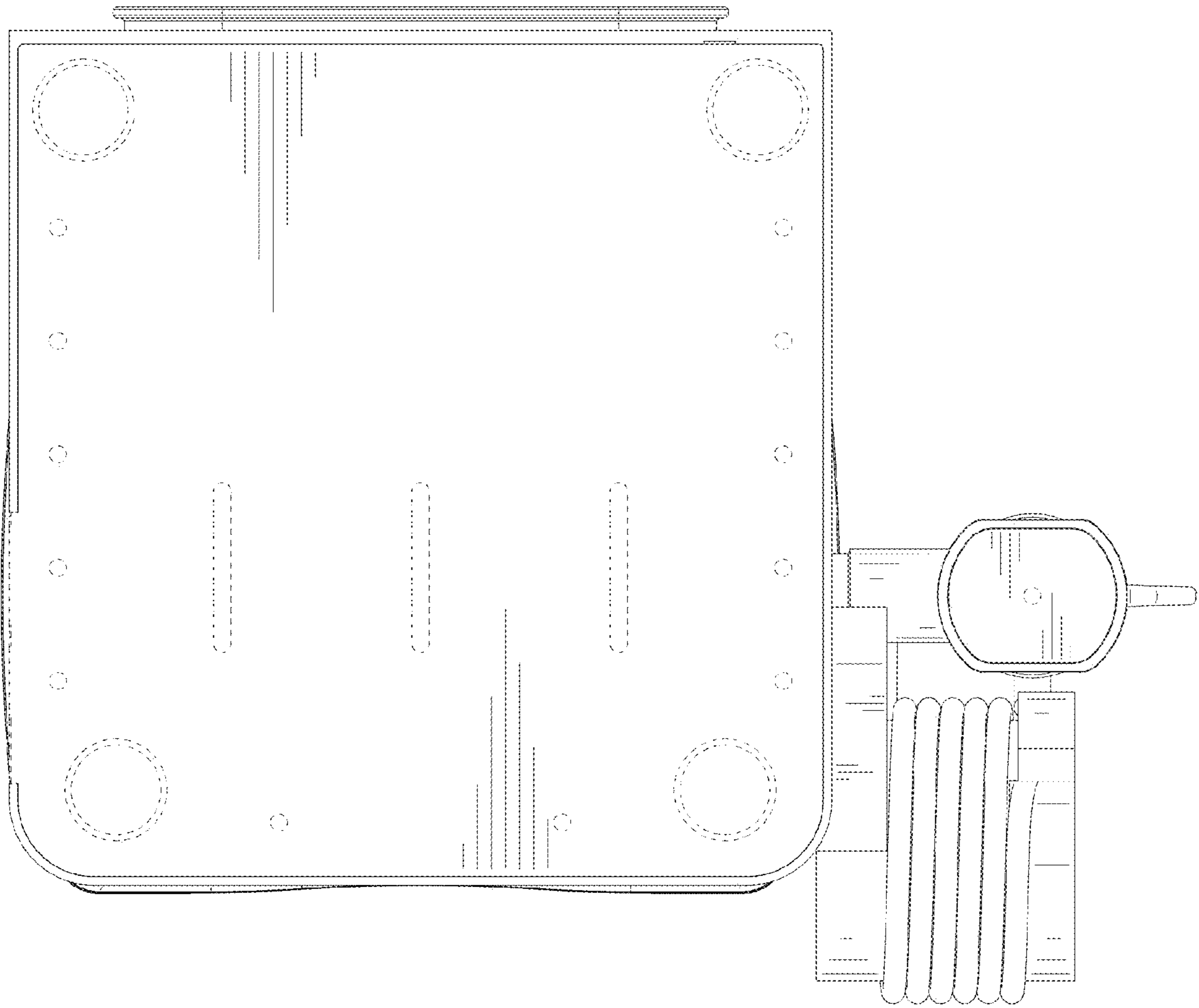


FIG. 8