



US00D980966S

(12) **United States Design Patent**  
**Hu et al.**

(10) **Patent No.:** **US D980,966 S**  
(45) **Date of Patent:** **\*\* Mar. 14, 2023**

- (54) **NOISE REDUCTION EARPLUG**
- (71) Applicant: **Sha Huang**, Shenzhen (CN)
- (72) Inventors: **Hao Hu**, Shenzhen (CN); **Keqiang Deng**, Shenzhen (CN); **Feng Cui**, Shenzhen (CN); **Xiangen Zhao**, Shenzhen (CN)
- (73) Assignee: **Sha Huang**, Shenzhen (CN)
- (\*\*) Term: **15 Years**
- (21) Appl. No.: **29/813,968**
- (22) Filed: **Nov. 2, 2021**
- (51) **LOC (14) Cl.** ..... **24-04**
- (52) **U.S. Cl.**  
USPC ..... **D24/106**
- (58) **Field of Classification Search**  
USPC ..... D24/106, 173, 174; D14/223, 205, 224, D14/225, 226, 429; D29/112  
CPC .. A61F 11/08; A61F 11/085; H04R 2225/025; H04R 25/00; H04R 25/02; H04R 25/60; H04R 25/67; H04R 25/602; H04R 25/604; H04R 25/608; H04R 1/1016; H04R 1/105; H04R 1/1083  
See application file for complete search history.

- D872,062 S \* 1/2020 Cui ..... D14/223
- D873,248 S \* 1/2020 Weicheng ..... D14/223
- D875,719 S \* 2/2020 Wen ..... D14/223
- D877,721 S \* 3/2020 Jung ..... D14/223
- D881,164 S \* 4/2020 Luo ..... D14/223
- D883,491 S \* 5/2020 Ponti ..... D24/174
- D890,727 S \* 7/2020 Park ..... D14/223
- D892,087 S \* 8/2020 Briggs ..... D14/223
- D892,302 S \* 8/2020 Gu ..... D24/106
- D894,160 S \* 8/2020 Andrevski ..... D14/223
- D895,580 S \* 9/2020 Yu ..... D14/223
- D897,522 S \* 9/2020 O ..... D24/106

(Continued)

**OTHER PUBLICATIONS**

Fita Earplugs, [site visited Aug. 18, 2022]. Available from Internet. URL: [https://www.amazon.com/dp/B09M2YY41D/ref=sspa\\_dk\\_detail\\_5?pd\\_rd\\_i=B09M2YY41D&pd\\_rd\\_w=MwTDC&content-id=amzn1.sym.3481f441-61a...](https://www.amazon.com/dp/B09M2YY41D/ref=sspa_dk_detail_5?pd_rd_i=B09M2YY41D&pd_rd_w=MwTDC&content-id=amzn1.sym.3481f441-61a...) (Year: 2022).\*

*Primary Examiner* — T Chase Nelson  
*Assistant Examiner* — Kelly L Gross

(57) **CLAIM**

The ornamental design for a noise reduction earplug, as shown and described.

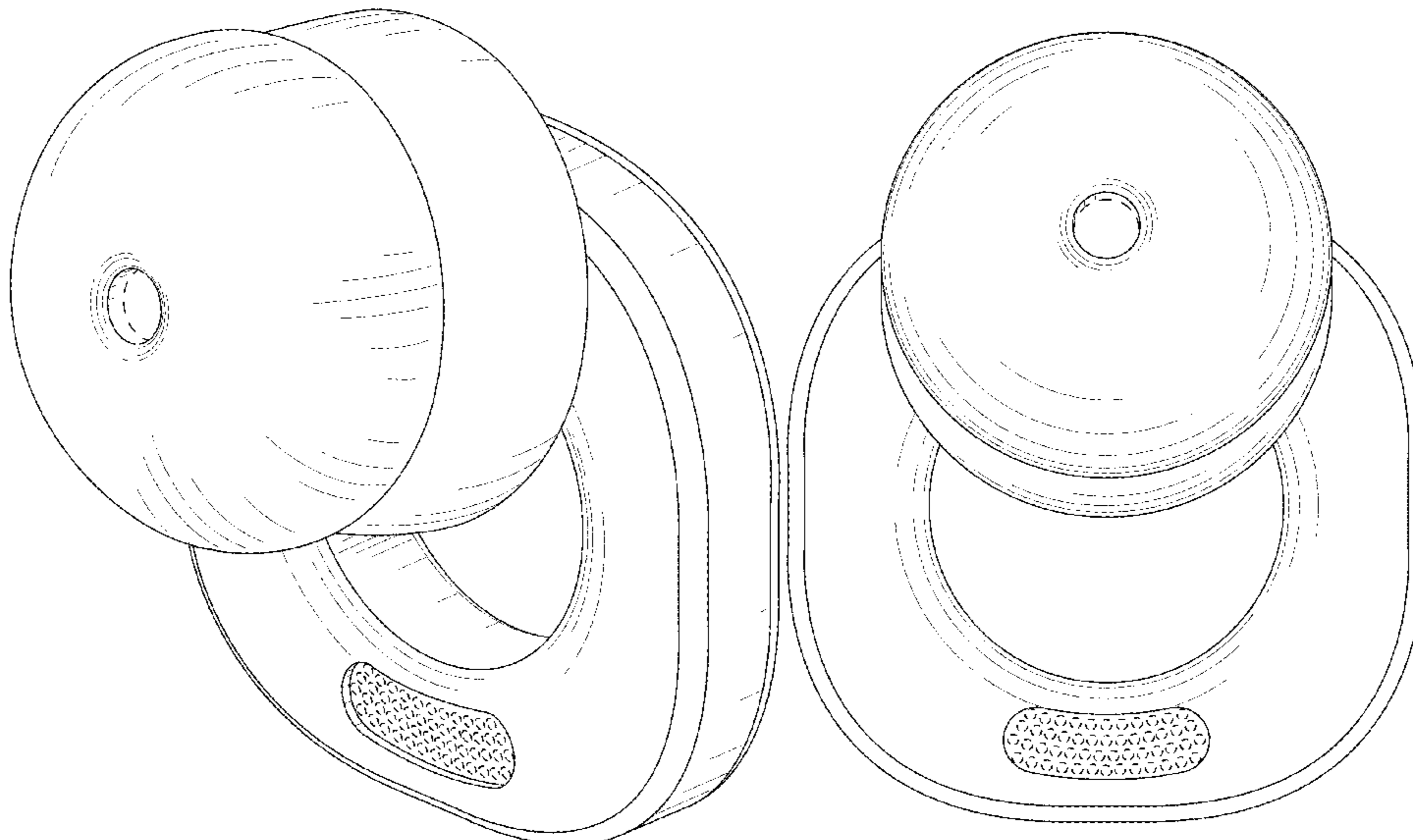
**DESCRIPTION**

FIG. 1 is a top, front and right perspective view of a noise reduction earplug showing my new design; FIG. 2 is a bottom, rear and left perspective view thereof; FIG. 3 is a front view thereof; FIG. 4 is a rear view thereof; FIG. 5 is a left side view thereof; FIG. 6 is a right side view thereof; FIG. 7 is a top plan view thereof; and, FIG. 8 is a bottom plan view thereof. The broken lines in the figures illustrate portions of the noise reduction earplug that form no part of the claimed design.

**1 Claim, 8 Drawing Sheets**

(56) **References Cited**  
U.S. PATENT DOCUMENTS

- D543,972 S \* 6/2007 Taylor ..... D14/223
- D640,670 S \* 6/2011 Rye ..... D14/223
- D701,196 S 3/2014 Kelly et al.
- D743,948 S \* 11/2015 Crawford ..... D14/223
- D794,611 S \* 8/2017 Valenzuela ..... D14/223
- D797,079 S \* 9/2017 Houle ..... D14/223
- D835,259 S \* 12/2018 Heikkila ..... A61F 11/08 D24/106
- D857,667 S \* 8/2019 Willis ..... D14/223
- D862,424 S \* 10/2019 You ..... D14/223
- D863,261 S 10/2019 Zhu



(56)

References Cited

U.S. PATENT DOCUMENTS

D899,405 S \* 10/2020 Vaclavik ..... D14/223  
 D900,995 S \* 11/2020 Fu ..... D24/106  
 D901,456 S \* 11/2020 Huang ..... D14/223  
 D902,182 S \* 11/2020 Wang ..... D14/223  
 D904,352 S \* 12/2020 Park ..... H04R 1/1016  
 D14/223  
 D906,296 S \* 12/2020 Zheng ..... D14/223  
 D908,203 S \* 1/2021 Schumaier ..... D24/106  
 D910,602 S \* 2/2021 Feng ..... D14/223  
 D912,647 S \* 3/2021 Williamson ..... D14/223  
 D916,054 S \* 4/2021 Sretovic ..... D14/223  
 D920,288 S \* 5/2021 Vautour ..... D14/223  
 D923,610 S \* 6/2021 Bonahoom ..... D14/223  
 D924,207 S \* 7/2021 Li ..... D14/223  
 D924,850 S \* 7/2021 Takubo ..... D14/223  
 D930,616 S \* 9/2021 Schoeck ..... D14/223  
 D930,618 S \* 9/2021 Lindenberger ..... D14/223  
 D931,256 S \* 9/2021 Lu ..... D14/223  
 D934,840 S \* 11/2021 Takubo ..... D14/223  
 D938,574 S \* 12/2021 Guo ..... D24/106  
 D938,941 S \* 12/2021 Iwahori ..... D14/223

D939,478 S \* 12/2021 Wu ..... D14/223  
 D940,112 S \* 1/2022 Yi ..... D14/223  
 D941,275 S \* 1/2022 Liu ..... D14/223  
 D943,556 S \* 2/2022 Herbst ..... D14/223  
 D944,778 S \* 3/2022 Chih ..... D14/223  
 D945,404 S \* 3/2022 Birger ..... D14/223  
 D945,405 S \* 3/2022 Rose ..... D14/223  
 D947,817 S \* 4/2022 Nakamura ..... D14/223  
 D948,481 S \* 4/2022 Czaniecki ..... D14/223  
 D948,483 S \* 4/2022 Yoneyama ..... D14/223  
 D949,130 S \* 4/2022 Loermann ..... D14/223  
 D951,236 S \* 5/2022 Laffon de Mazieres .... D14/223  
 D954,026 S \* 6/2022 Sasaki ..... D14/223  
 D954,027 S \* 6/2022 Chen ..... D14/223  
 D954,682 S \* 6/2022 Ai ..... A61F 11/08  
 D14/223  
 D954,683 S \* 6/2022 Huang ..... D14/223  
 D954,684 S \* 6/2022 Laffon de Mazieres .... D14/223  
 D956,018 S \* 6/2022 Reimann ..... D14/223  
 D956,019 S \* 6/2022 Reimann ..... D14/223  
 D956,020 S \* 6/2022 Reimann ..... D14/223  
 D960,131 S \* 8/2022 Zhu ..... D14/223  
 2021/0045926 A1 \* 2/2021 Clark ..... A61F 11/08

\* cited by examiner

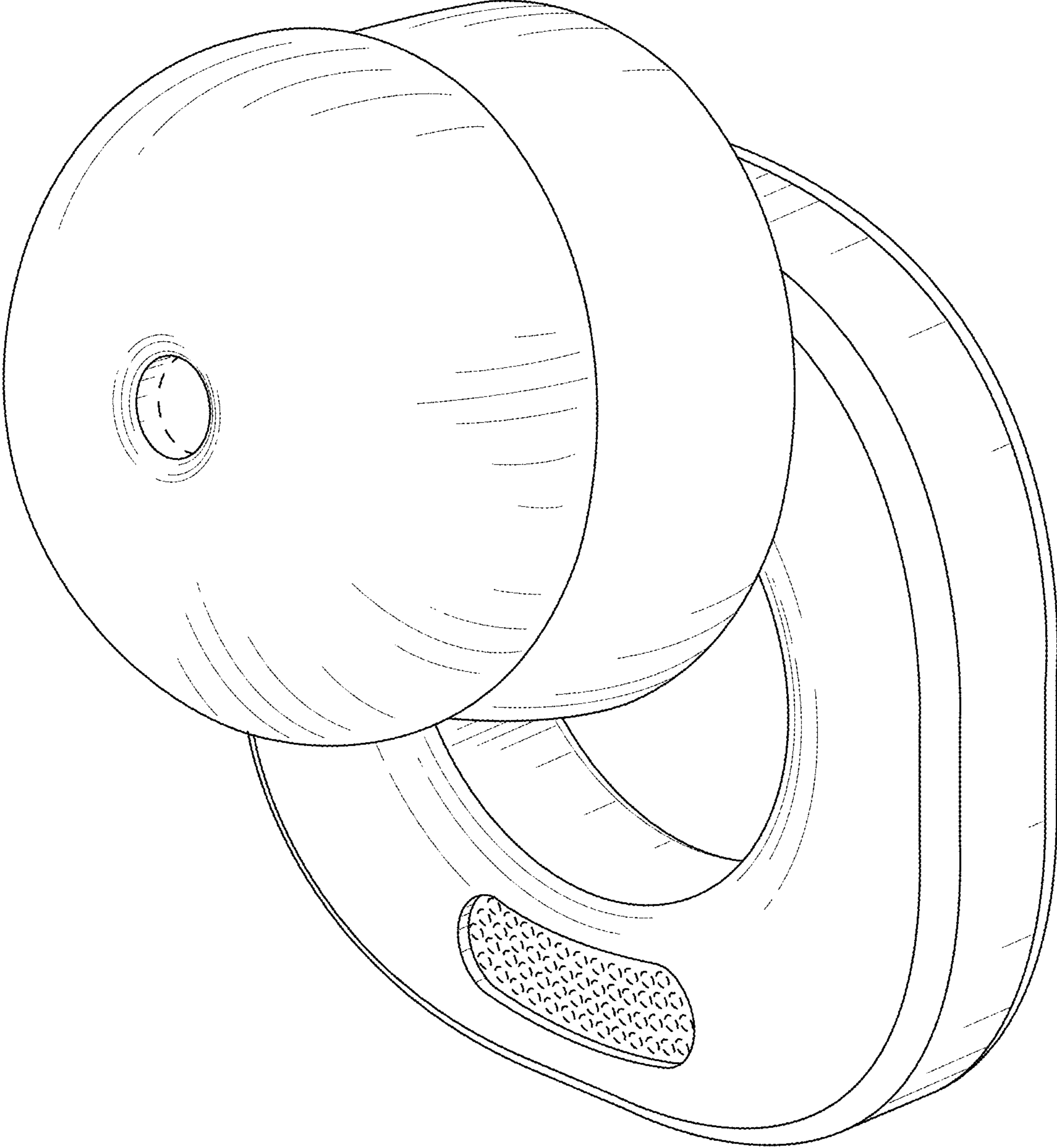


FIG. 1

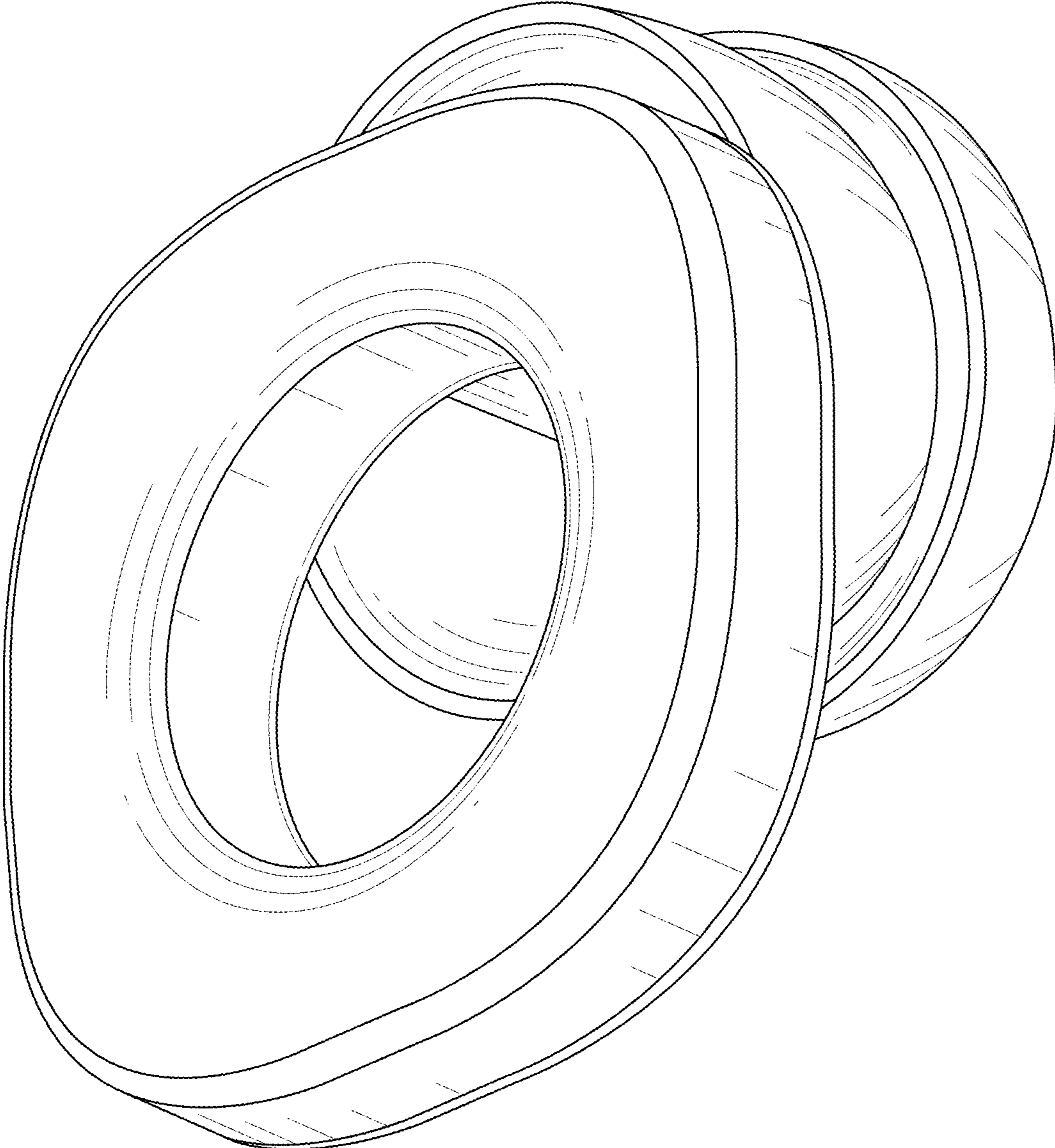


FIG. 2

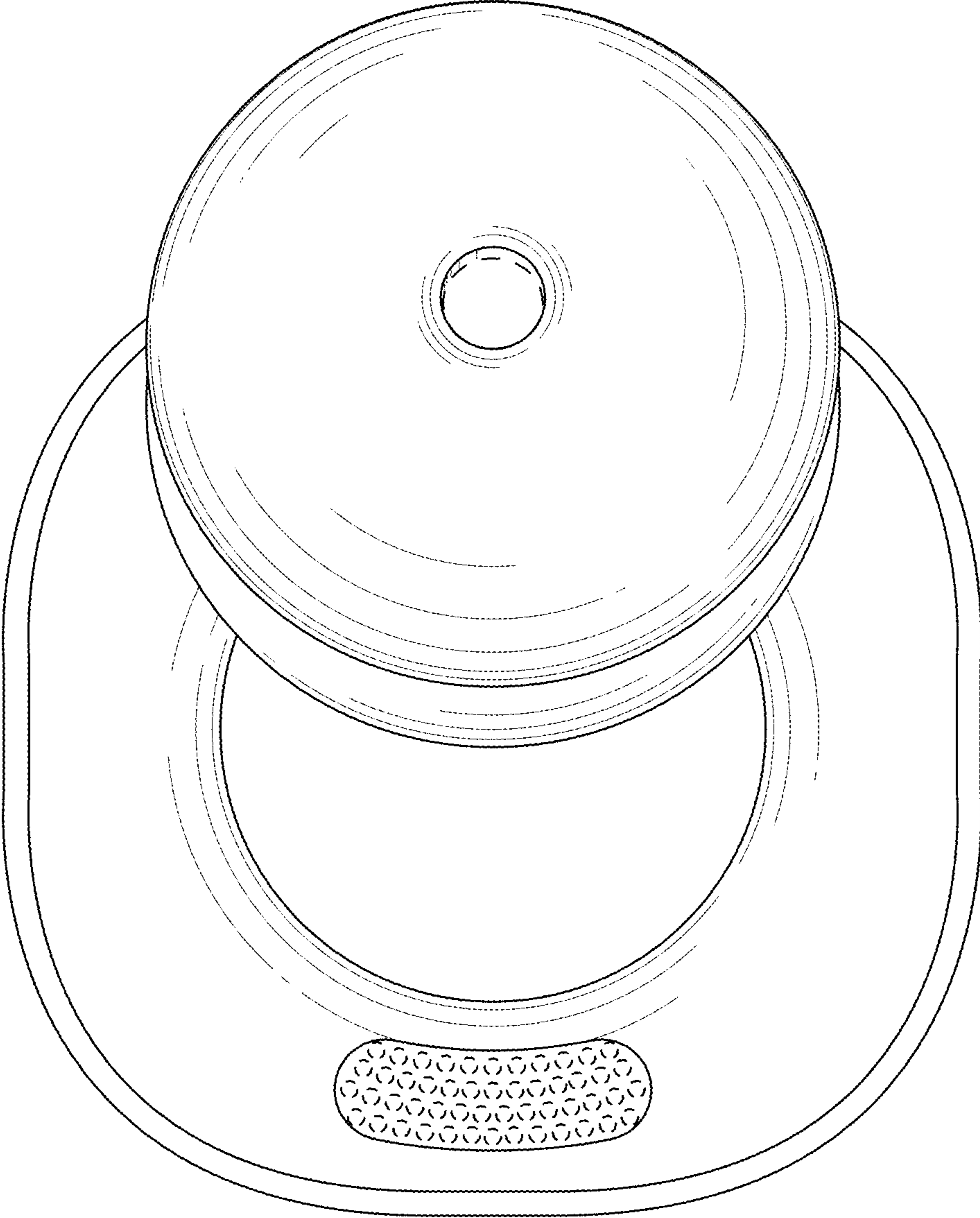


FIG. 3

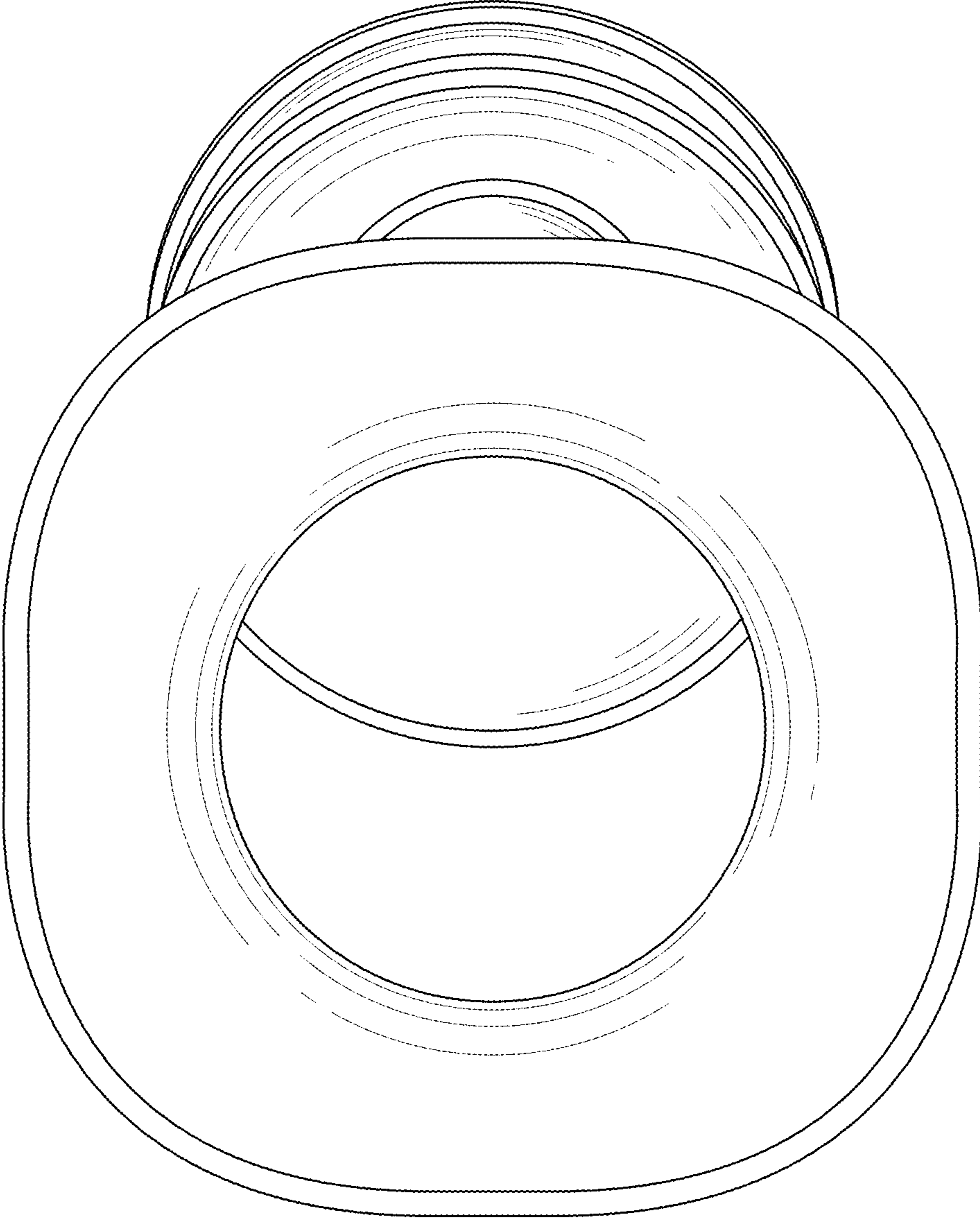


FIG. 4

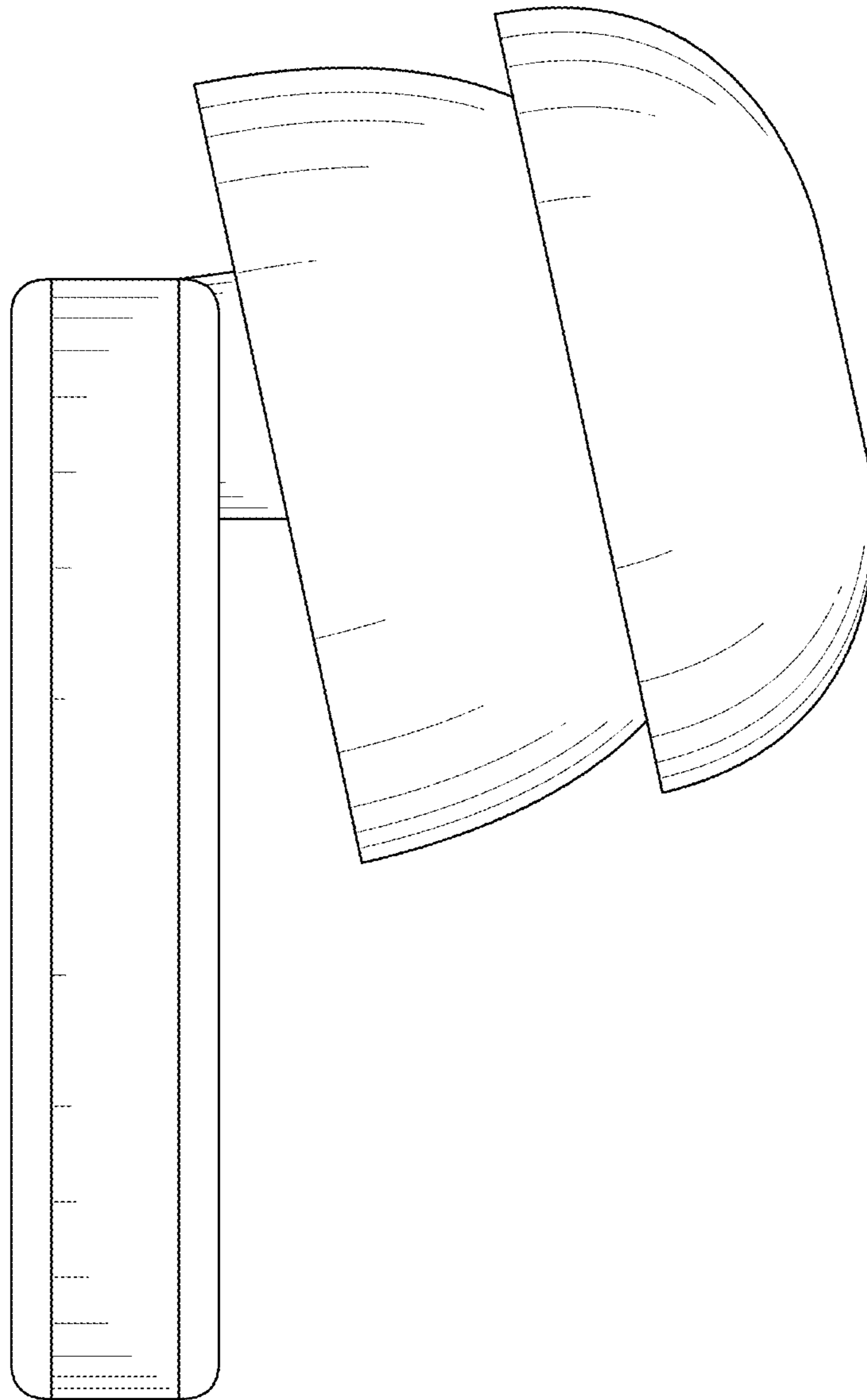


FIG. 5

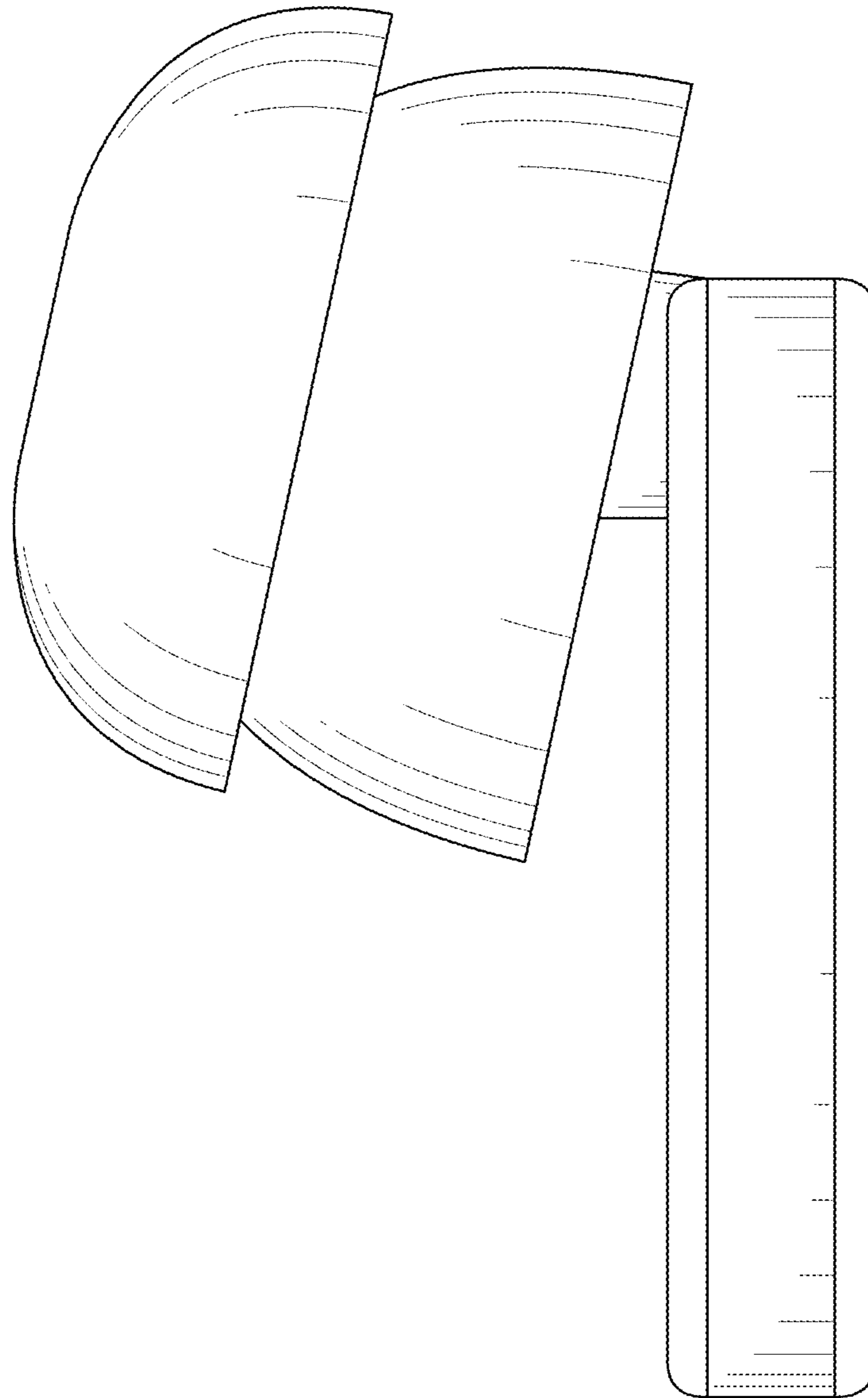


FIG. 6



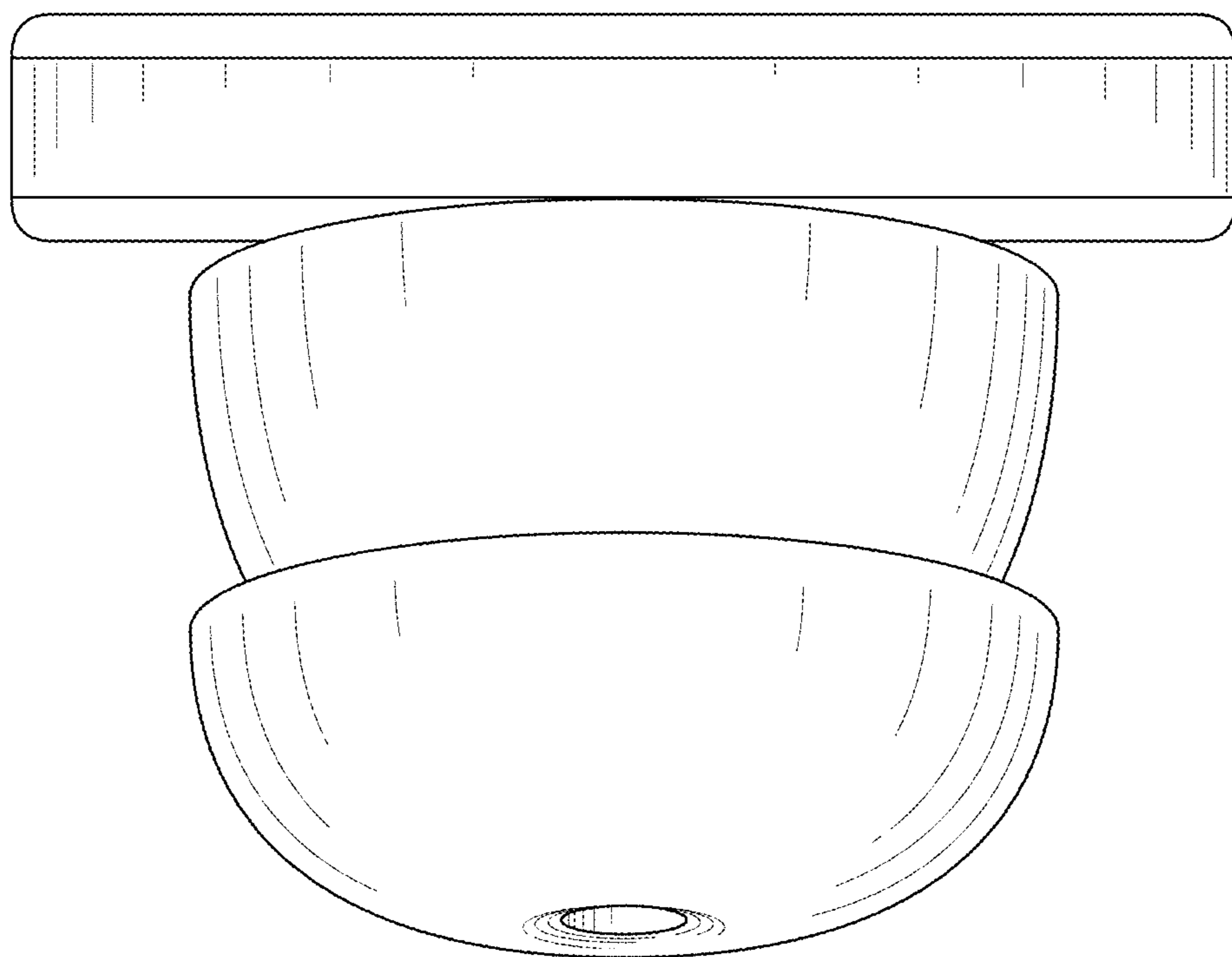


FIG. 7

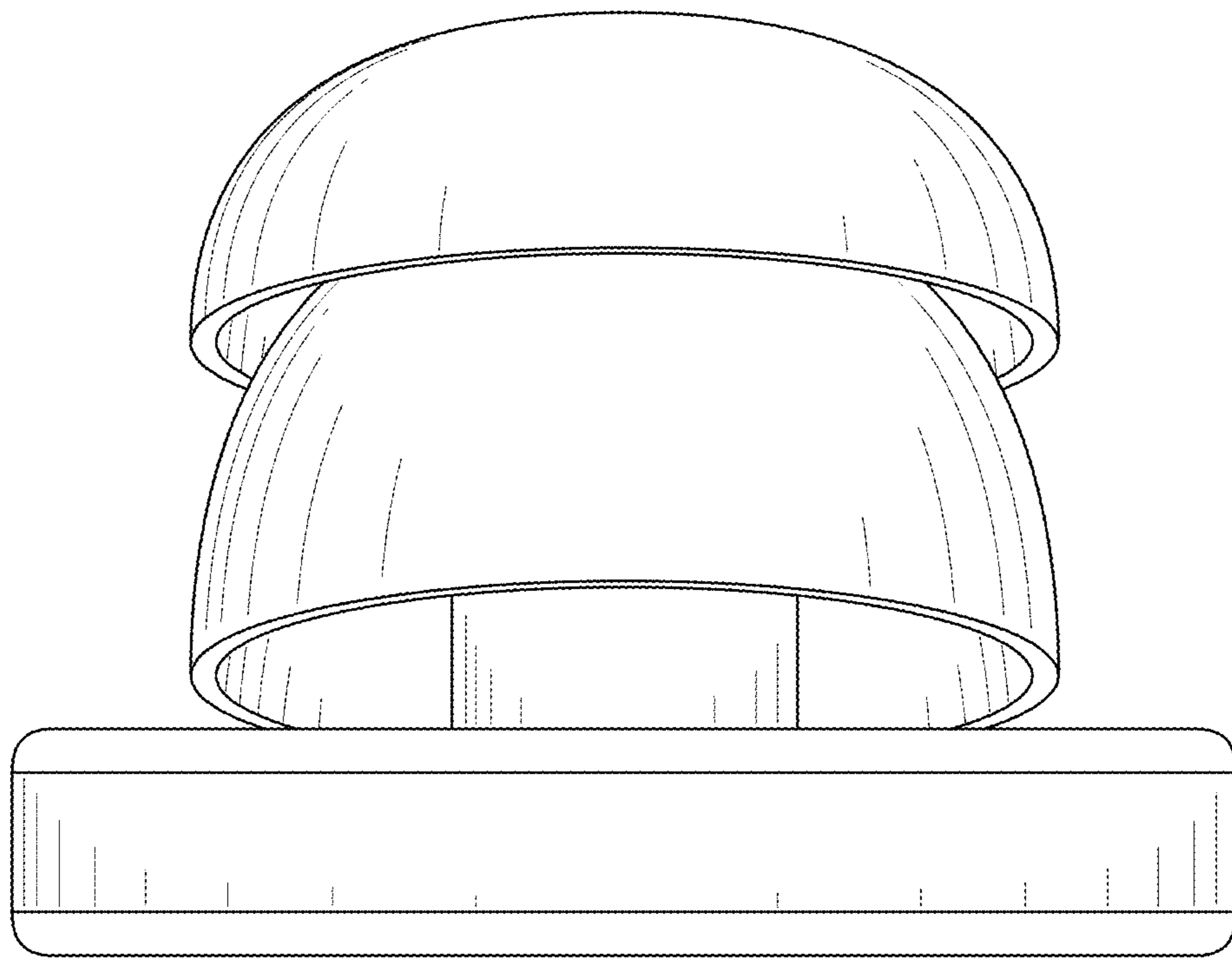


FIG. 8