



US00D980959S

(12) **United States Design Patent**
Huang et al.

(10) **Patent No.: US D980,959 S**
(45) **Date of Patent: ** Mar. 14, 2023**

(54) **JOINT FOR ABOVE GROUND POOL FRAME**

FOREIGN PATENT DOCUMENTS

(71) Applicant: **Intex Marketing Ltd.**, Tortola (VG)

CN 2195595 Y 4/1995
CN 2480479 Y 3/2002

(72) Inventors: **Zhi Xiong Huang**, Xiamen (CN); **Ai Ming Tan**, Xiamen (CN)

(Continued)

(73) Assignee: **Intex Marketing Ltd.**, Tortola (VG)

OTHER PUBLICATIONS

(**) Term: **15 Years**

(21) Appl. No.: **29/768,906**

PlumbingSupply.com, "Incredible Selection of PVC Fittings, Sch. 40 PVC fittings and Sch.80 PVC Adapters," The Wayback Machine—<https://web.archive.org/web/20180701150048/https://www.plumbingsupply.com>, © 1995-2018 PlumbingSupply.com, 127 pages.

(22) Filed: **Feb. 2, 2021**

(Continued)

Related U.S. Application Data

(62) Division of application No. 29/708,749, filed on Oct. 9, 2019, now Pat. No. Des. 930,802.

Primary Examiner — Karen S Acker

Assistant Examiner — Jonathan E Fiencke

(74) *Attorney, Agent, or Firm* — Faegre Drinker Biddle & Reath LLP

(30) **Foreign Application Priority Data**

Apr. 12, 2019 (CN) 201920498611.1
Sep. 10, 2019 (CN) 201930497969.8

(57) **CLAIM**

(51) **LOC (14) Cl.** **23-04**

The ornamental design for a joint for above ground pool frame, as shown and described.

(52) **U.S. Cl.**
USPC **D23/363**

(58) **Field of Classification Search**
USPC D8/382; D23/230, 233–234, 262–266, D23/301; D25/2, 38.1, 41.1, 43–44, 61, D25/122–126, 133–134
CPC E04H 4/0056; E04H 4/14; E04H 4/148; F21V 21/088; F21V 27/00; F21S 8/00; F21W 2131/401
See application file for complete search history.

DESCRIPTION

FIG. 1 is a front perspective view of a joint for above ground pool frame showing our new design; FIG. 2 is a front elevational view thereof; FIG. 3 is a rear elevational view thereof; FIG. 4 is a left side elevational view thereof; FIG. 5 is a right side elevational view thereof; FIG. 6 is a top plan view thereof; and, FIG. 7 is a bottom plan view thereof. The long-short broken lines within the openings depict boundaries that form no part of the claimed design. The evenly-sized broken lines depict portions of the joint for above ground pool frame that form no part of the claimed design.

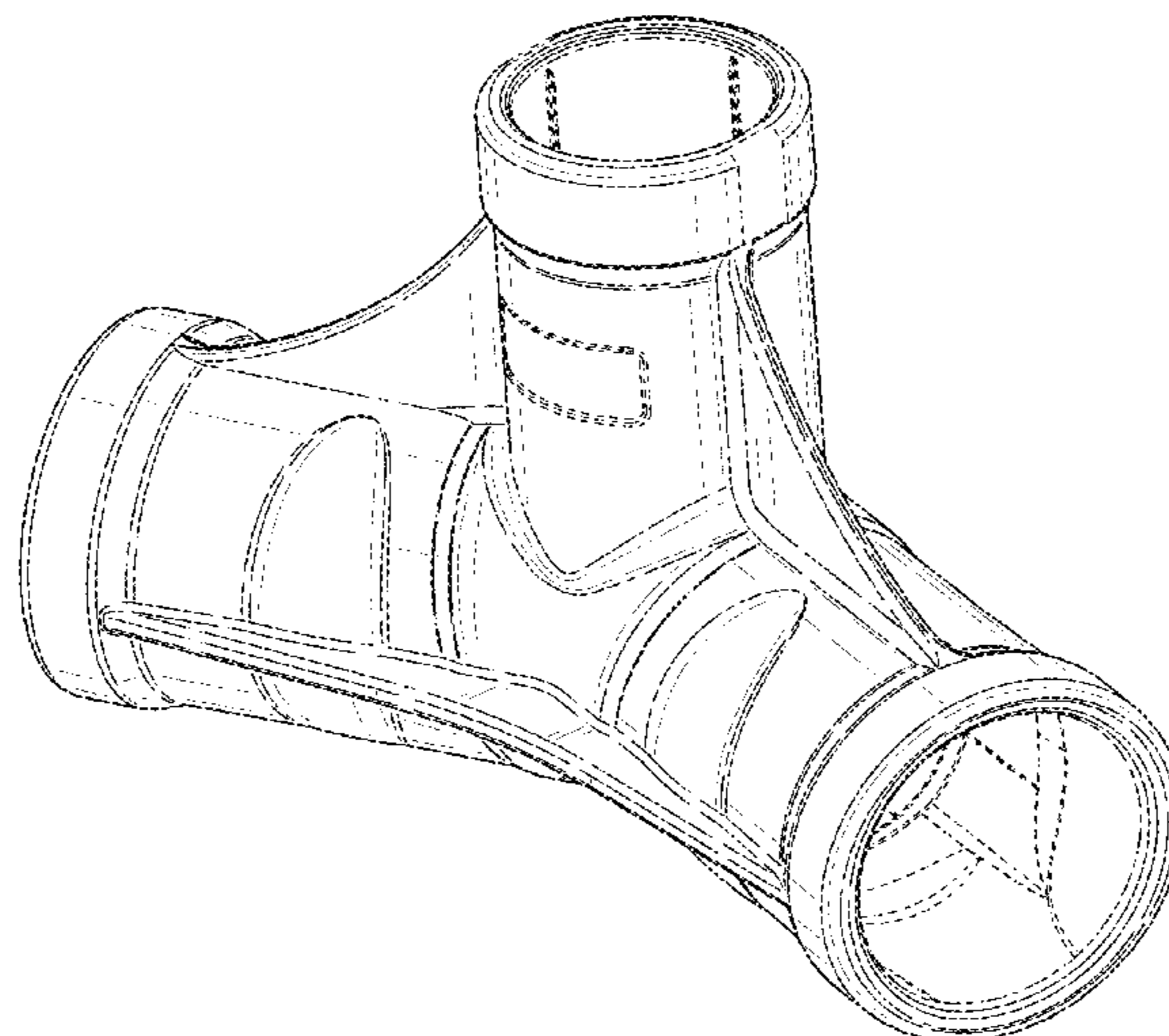
(56) **References Cited**

U.S. PATENT DOCUMENTS

1,786,613 A 12/1930 Hooper
1,884,410 A 10/1932 Vincent
D174,950 S 6/1955 Frishberg
3,225,362 A 12/1965 Barrera
3,424,178 A 1/1969 Yazaki

(Continued)

1 Claim, 7 Drawing Sheets



(56)

References Cited

U.S. PATENT DOCUMENTS

3,595,180 A 7/1971 Swoyer
 3,654,640 A 4/1972 Katzman
 3,864,048 A 2/1975 Parker
 3,874,132 A 4/1975 Mendelow et al.
 3,877,491 A 4/1975 Thastrup
 4,323,319 A 4/1982 Adams
 4,356,933 A 11/1982 Connolly
 D304,486 S 11/1989 Elder et al.
 4,890,343 A 1/1990 Schlags
 5,054,135 A 10/1991 Dallaire et al.
 5,083,327 A 1/1992 Gillebaard
 5,143,476 A 9/1992 Pruis
 D343,889 S 2/1994 Stonecypher
 D348,723 S 7/1994 Carroll
 D361,847 S 8/1995 Cetrulo
 5,927,363 A 7/1999 Olsen
 D417,918 S 12/1999 Mussa
 D420,145 S 2/2000 Mussa
 D420,146 S 2/2000 Mussa
 6,079,894 A 6/2000 Obitts
 6,272,696 B1 8/2001 Sobel et al.
 D453,553 S * 2/2002 Maerz D23/263
 D454,205 S * 3/2002 Spicer D25/2
 D454,940 S 3/2002 Hoenig
 D455,950 S 4/2002 Unwin
 6,477,721 B2 11/2002 Lee
 D472,648 S 4/2003 Linsley
 6,595,713 B1 7/2003 Wilson
 6,604,250 B1 8/2003 Lee
 D481,110 S * 10/2003 Snyder, Sr. D23/263
 D495,434 S 8/2004 Cooper
 6,803,007 B2 10/2004 Meggiolan
 D504,523 S 4/2005 Gimpel et al.
 D567,394 S 4/2008 Pena
 D580,530 S 11/2008 McAlpine
 D592,492 S * 5/2009 Werschmidt D8/382
 D599,446 S * 9/2009 Price D23/262
 D626,405 S 11/2010 Goad
 D654,353 S 2/2012 Tabler
 D676,942 S * 2/2013 Kluss D23/262
 D707,366 S 6/2014 Rowland
 D718,853 S * 12/2014 Lee D23/365
 D755,940 S 5/2016 Schulze
 D759,889 S 6/2016 Seehof et al.
 D760,425 S 6/2016 Seehof et al.
 D770,599 S 11/2016 Daughters
 D771,779 S * 11/2016 Scifres D23/263
 D805,165 S * 12/2017 Dean D23/262
 D815,300 S 4/2018 Lin et al.
 D874,021 S * 1/2020 Huang E04H 4/0056
 D25/2
 D900,286 S 10/2020 Daughters
 D905,832 S * 12/2020 Gray D23/266
 D908,849 S 1/2021 Decaria
 D925,011 S 7/2021 Parihar
 D926,295 S * 7/2021 Zhang D23/262
 D930,802 S 9/2021 Huang et al.
 11,225,805 B2 * 1/2022 Huang E04H 4/0056
 D943,715 S * 2/2022 Kwak D23/263
 D945,871 S 3/2022 MacDonald
 D946,129 S * 3/2022 Luo D23/249
 D956,267 S * 6/2022 Zhang D21/815
 D957,241 S * 7/2022 Deng D8/382
 D959,617 S * 8/2022 Meng D23/262
 D963,812 S * 9/2022 Cherry E04H 4/0056
 D23/262

D965,117 S * 9/2022 Hanson D23/263
 2001/0037620 A1 * 11/2001 Choi E04H 4/0056
 52/719
 2002/0042948 A1 4/2002 Lee
 2002/0064420 A1 5/2002 Lin
 2004/0118844 A1 6/2004 Bennett et al.
 2007/0068584 A1 3/2007 Murdock et al.
 2008/0314466 A1 12/2008 Cimberio et al.
 2009/0205121 A1 8/2009 Cheng
 2010/0083437 A1 4/2010 Hui
 2014/0325751 A1 11/2014 Hake
 2015/0115186 A1 4/2015 Borland et al.
 2016/0201348 A1 7/2016 Liu
 2016/0222686 A1 8/2016 Liu
 2017/0009475 A1 1/2017 Liu
 2017/0089085 A1 3/2017 Liu
 2017/0356206 A1 * 12/2017 Huang E04H 4/0056
 2019/0032796 A1 1/2019 Di Monte
 2019/0178275 A1 6/2019 Lin et al.
 2020/0141143 A1 * 5/2020 Huang E04H 4/0056
 2020/0332544 A1 * 10/2020 Huang E04H 4/0056
 2021/0324648 A1 * 10/2021 Huang E04H 4/0056
 2021/0348409 A1 * 11/2021 Chen E04H 4/0056
 2022/0034113 A1 2/2022 Huang et al.
 2022/0275661 A1 9/2022 Huang et al.

FOREIGN PATENT DOCUMENTS

CN 2766083 Y 3/2006
 CN 200968073 Y 10/2007
 CN 101787807 A 7/2010
 CN 202745430 U 2/2013
 CN 204475913 U 7/2015
 CN 204475914 U 7/2015
 CN 204531509 U 8/2015
 CN 205777703 U 12/2016
 CN 206477627 U 9/2017
 CN 207673066 U 7/2018
 CN 209040623 U 6/2019
 CN 209130364 U 7/2019
 DE 8810857 U1 10/1988
 DE 19904335 A1 8/1999
 FR 2774416 A1 8/1999

OTHER PUBLICATIONS

Best Way https://www.amazon.com/Steel-Pro-Frame-Pool-Set/dp/BOOHZAM07U/ref=sr_1_24?dchild=1&keywords=above+ground+frame+pool&qid=1605540738&sr=8-24 (Year: 2017).
<http://hardware-store-online.com/berater/intex-ultra-frame-pool-horizontal-beam#more-infos> Retrieved Jul. 31, 2017.
 International Search Report and Written Opinion received for PCT Patent Application No. PCT/IB2019/057831, dated Dec. 20, 2019, 9 pages.
 Intex, 2013 Above Ground Pools Catalogue, Copyright 2012, 13 pages.
 Intex, Ultra Frame Pool Owner's Manual, May 13, 2015, 17 pages, available at https://www.poolcenter.com/images/PDFs/IntexUltraFrameRound_manual.pdf.
 Kitlife Pool Cart <https://www.amazon.com/KITLIFE-Storage-Resistant-Cracking-Included/dp/B08B46LM5N/> (Year: 2018).
 Summer <https://www.amazon.com/Summer-Waves-Premium-Swimming-Accessory/dp/B07BXC85HG/> (Year: 2018).
 European Search Report issued by the European Patent Office dated Apr. 26, 2022, for European Patent Application No. 19862486.8, dated Apr. 26, 2022; 7 pages.

* cited by examiner

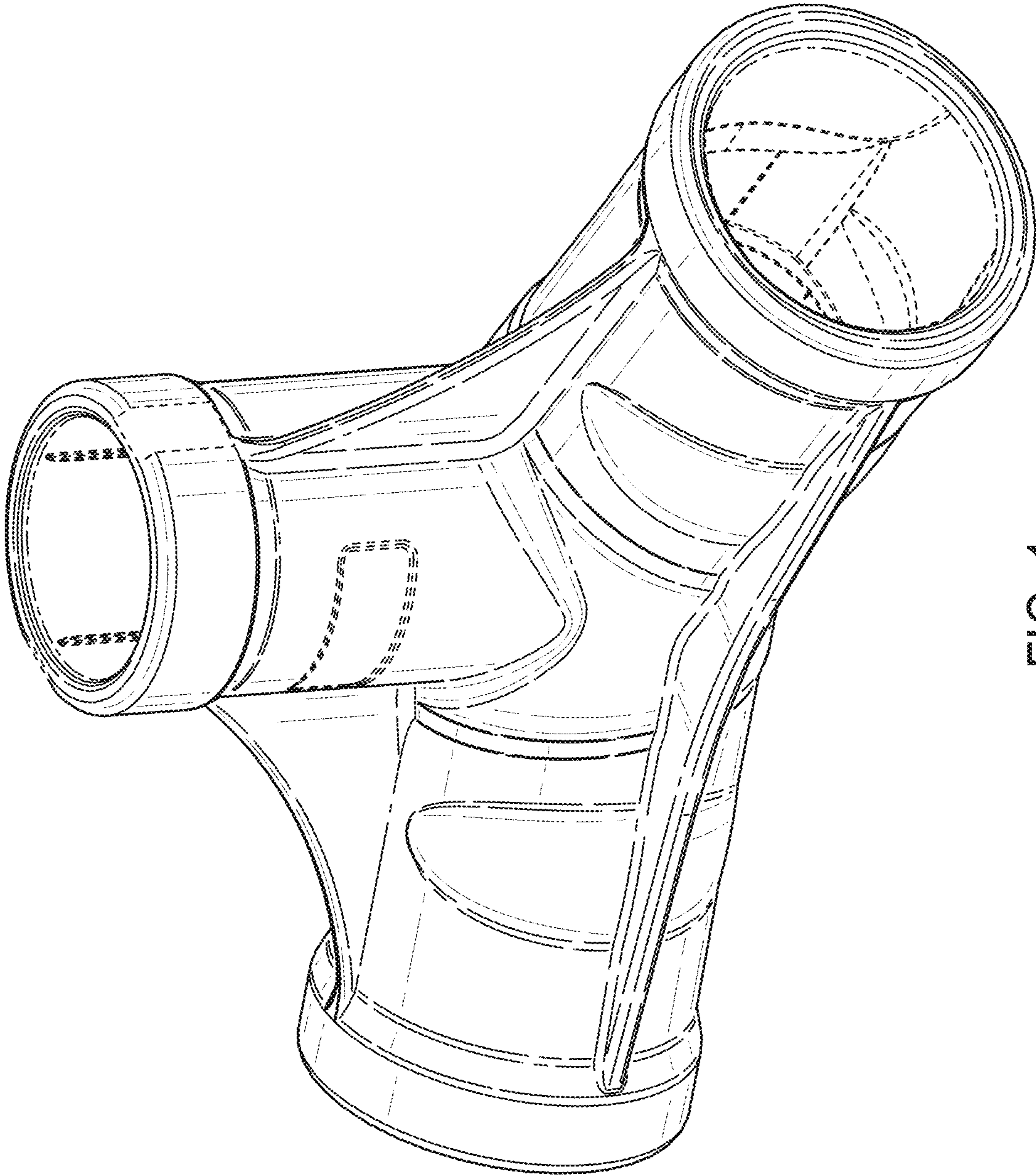


FIG. 1

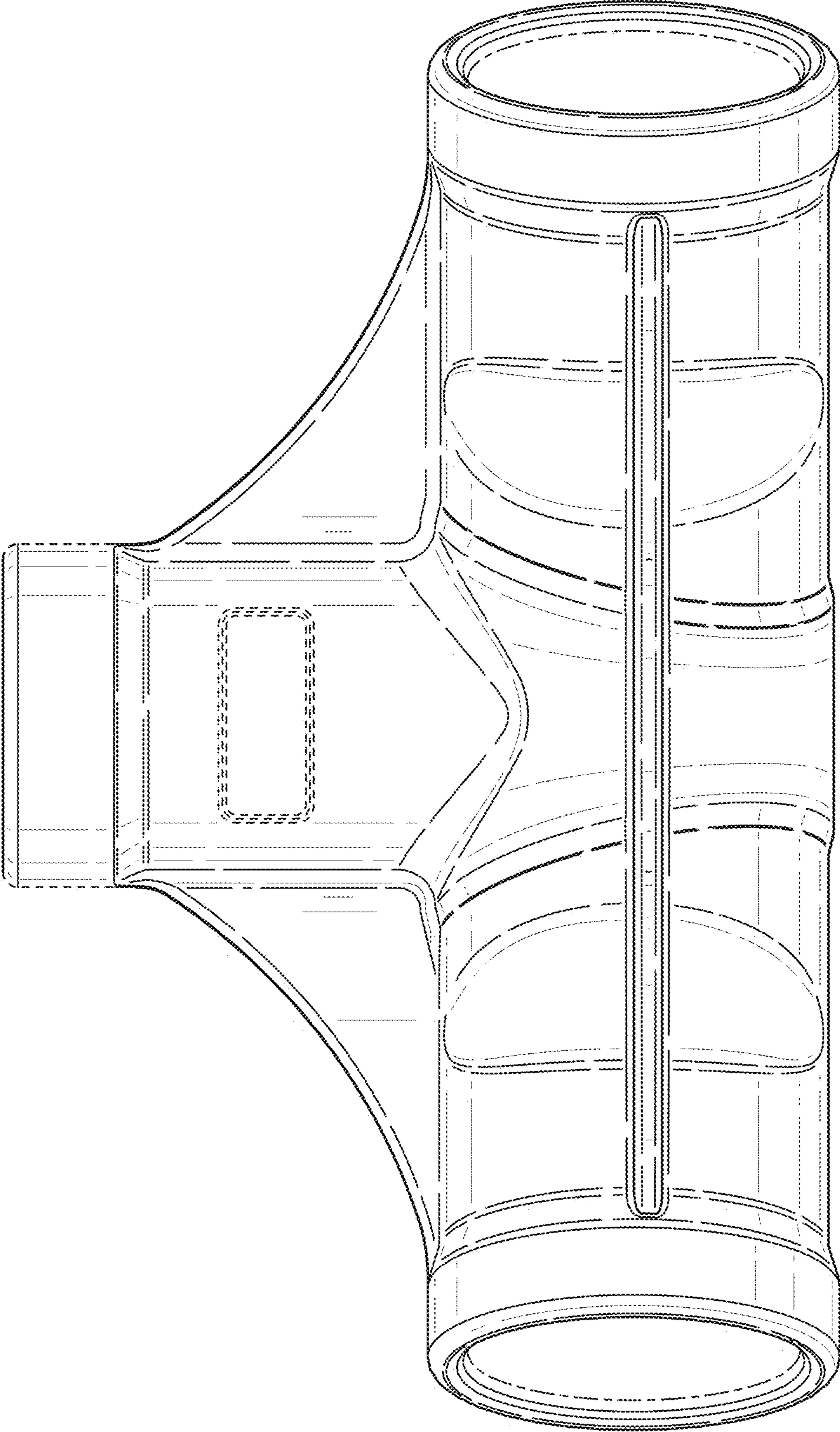


FIG. 2

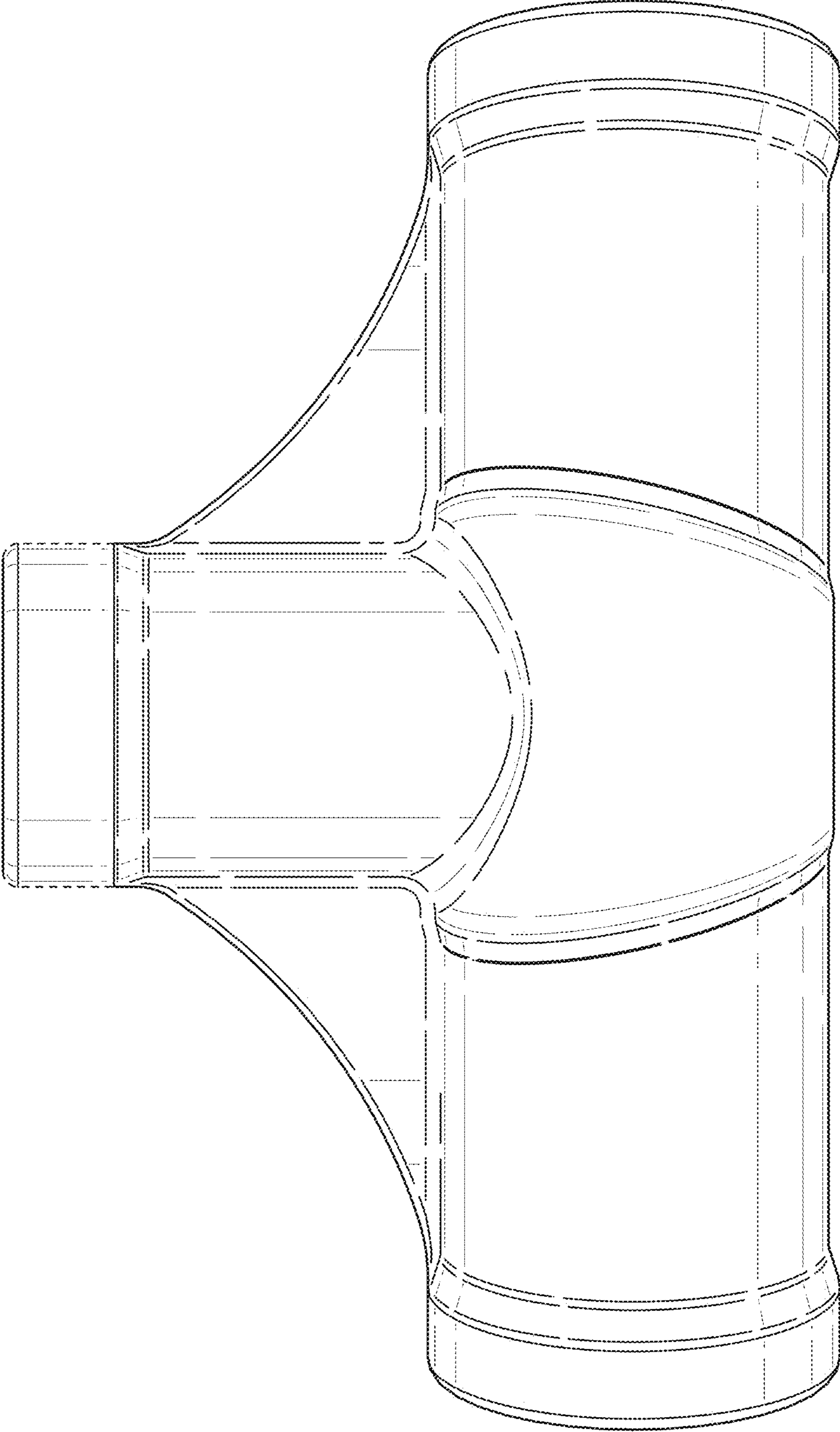


FIG. 3

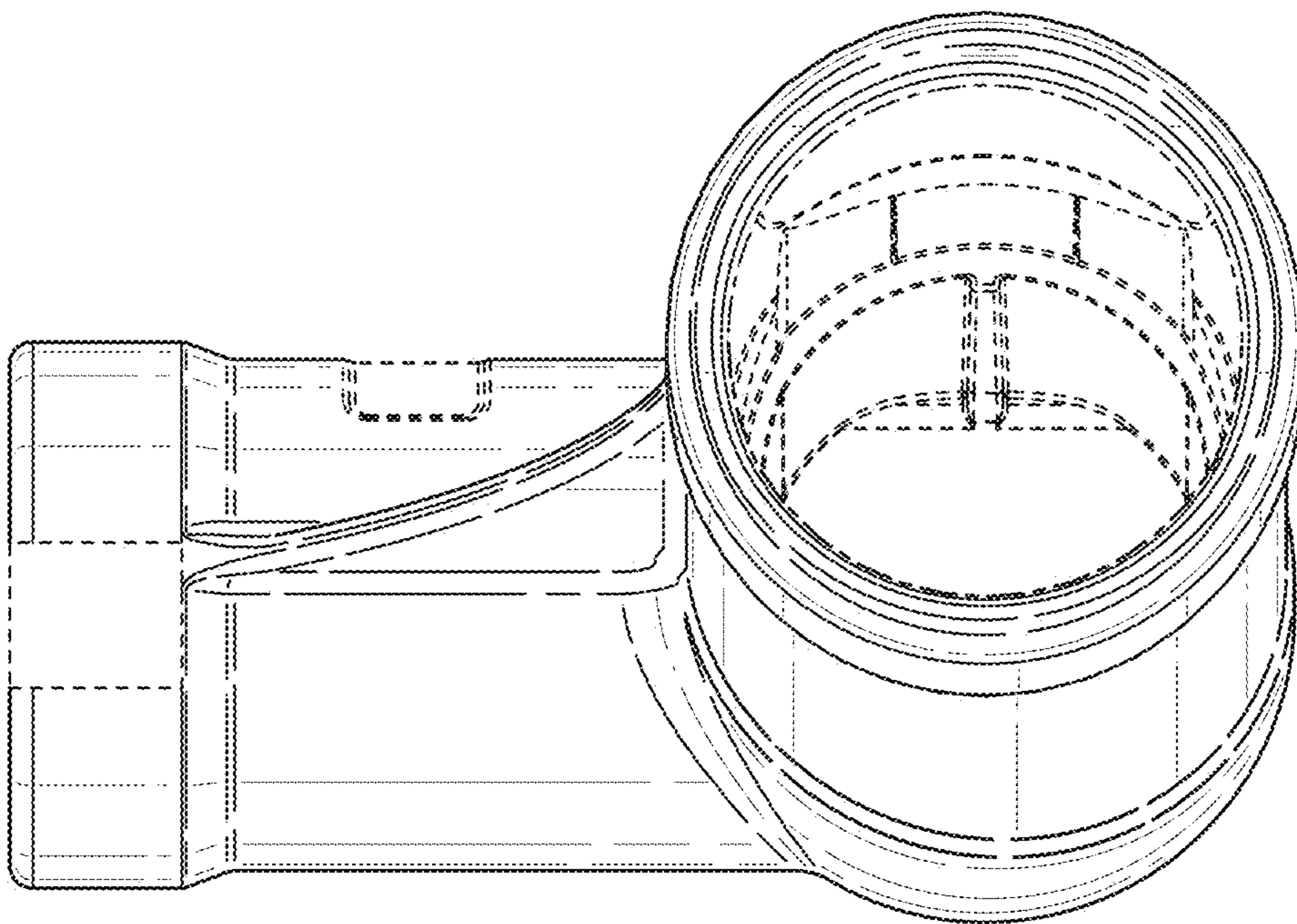


FIG. 4

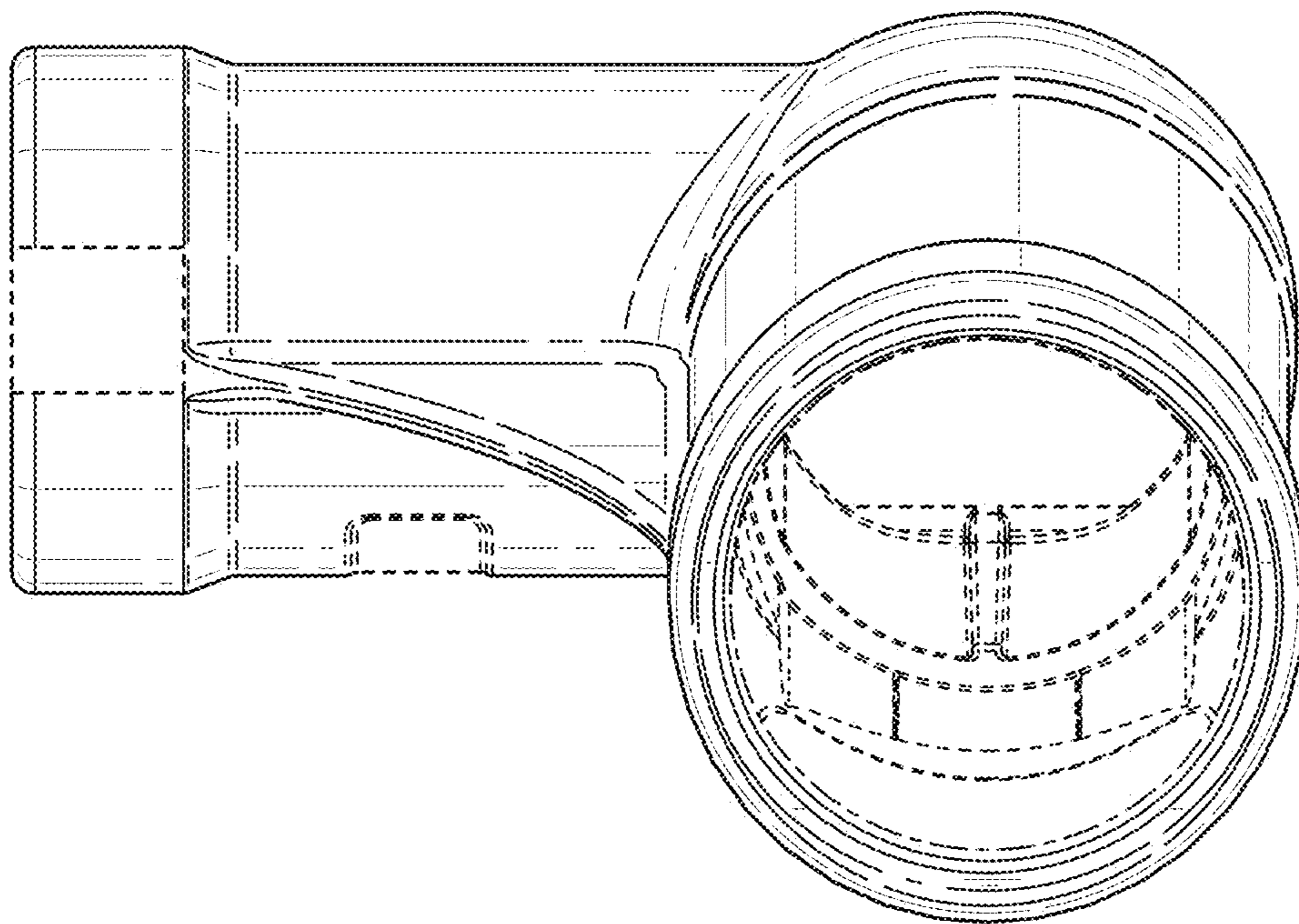


FIG. 5

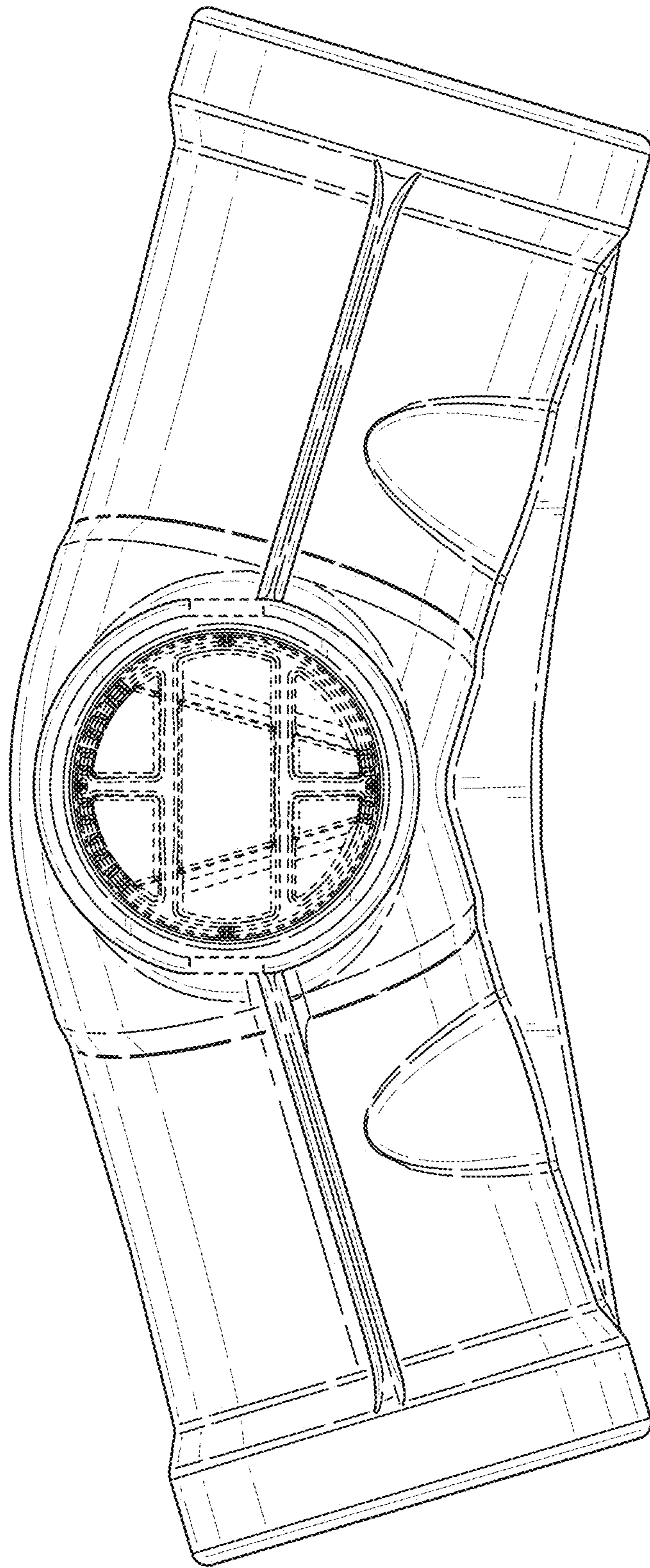


FIG. 6

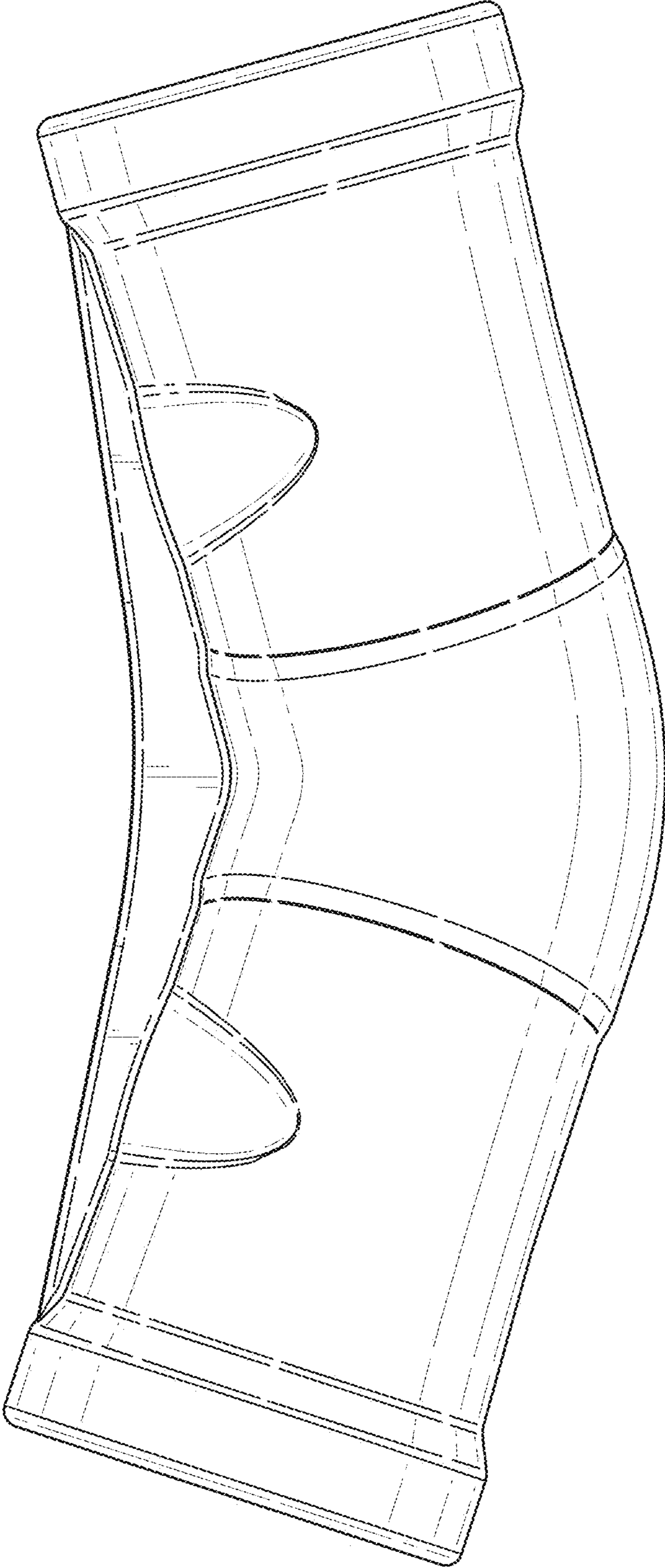


FIG. 7