



US00D980958S

(12) **United States Design Patent**  
**Lin**

(10) **Patent No.:** **US D980,958 S**  
(45) **Date of Patent:** **\*\* Mar. 14, 2023**

- (54) **HUMIDIFIER**
- (71) Applicant: **SHENZHEN JINLINGMA TECHNOLOGY CO., LTD.**, Shenzhen (CN)
- (72) Inventor: **Shuai Lin**, Shenzhen (CN)
- (73) Assignee: **SHENZHEN JINLINGMA TECHNOLOGY CO., LTD.**, Shenzhen (CN)
- (\*\*) Term: **15 Years**
- (21) Appl. No.: **29/797,710**
- (22) Filed: **Jul. 2, 2021**
- (51) **LOC (14) Cl.** ..... **23-04**
- (52) **U.S. Cl.**  
USPC ..... **D23/356**
- (58) **Field of Classification Search**  
USPC ..... D23/355-366, 352, 369, 332, 333, 335, D23/336, 342, 351  
CPC .. A61L 9/16; A61L 9/22; B01D 47/00; B01D 47/027; B01D 2221/02; B01D 2259/4508; B03C 3/155; B03C 3/368; F24F 3/16; F24F 13/20; F24F 13/28  
See application file for complete search history.

D572,810 S *	7/2008	Chiu	.....	D23/333
D593,663 S *	6/2009	Chiu	.....	D23/333
D898,887 S *	10/2020	Xiao	.....	D23/356
D939,069 S *	12/2021	Yang	.....	D23/356
D943,075 S *	2/2022	Chiu	.....	D23/359
D943,720 S *	2/2022	Pease	.....	D23/335
D950,696 S *	5/2022	Xie	.....	D23/359
D960,337 S *	8/2022	Sun	.....	D23/356
D960,340 S *	8/2022	Li	.....	D23/364
D965,125 S *	9/2022	Zhang	.....	D23/356

\* cited by examiner

*Primary Examiner* — David G Muller

(57) **CLAIM**

The ornamental design for a humidifier, as shown and described.

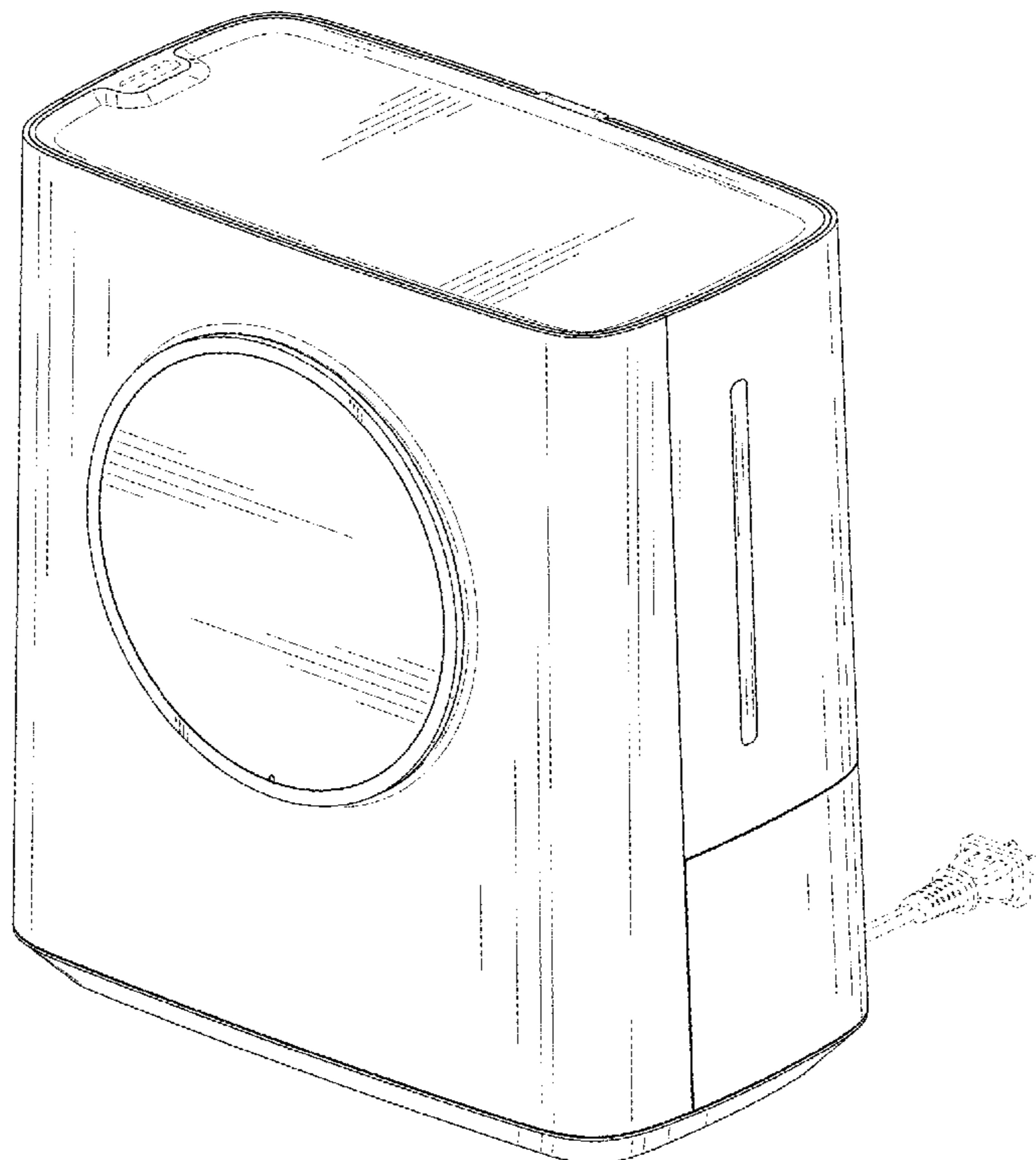
**DESCRIPTION**

FIG. 1 is a perspective view of a humidifier showing my new design;  
 FIG. 2 is another perspective view thereof;  
 FIG. 3 is a front elevational view thereof;  
 FIG. 4 is a rear elevational view thereof;  
 FIG. 5 is a left side elevational view thereof;  
 FIG. 6 is a right side elevational view thereof;  
 FIG. 7 is a top plan view thereof;  
 FIG. 8 is a bottom plan view thereof; and,  
 FIG. 9 is an enlarged view of portion 9 shown in FIG. 2.  
 The dash dot lines in FIGS. 2 and 9 represent the area shown in detail. The dashed lines in the figures illustrate the portions of the design that form no part of the claimed design. None of the broken lines form any part of the claimed design.

**1 Claim, 9 Drawing Sheets**

(56) **References Cited**  
U.S. PATENT DOCUMENTS

D371,833 S *	7/1996	Jane	.....	D23/335
D389,235 S *	1/1998	Jane	.....	D23/382



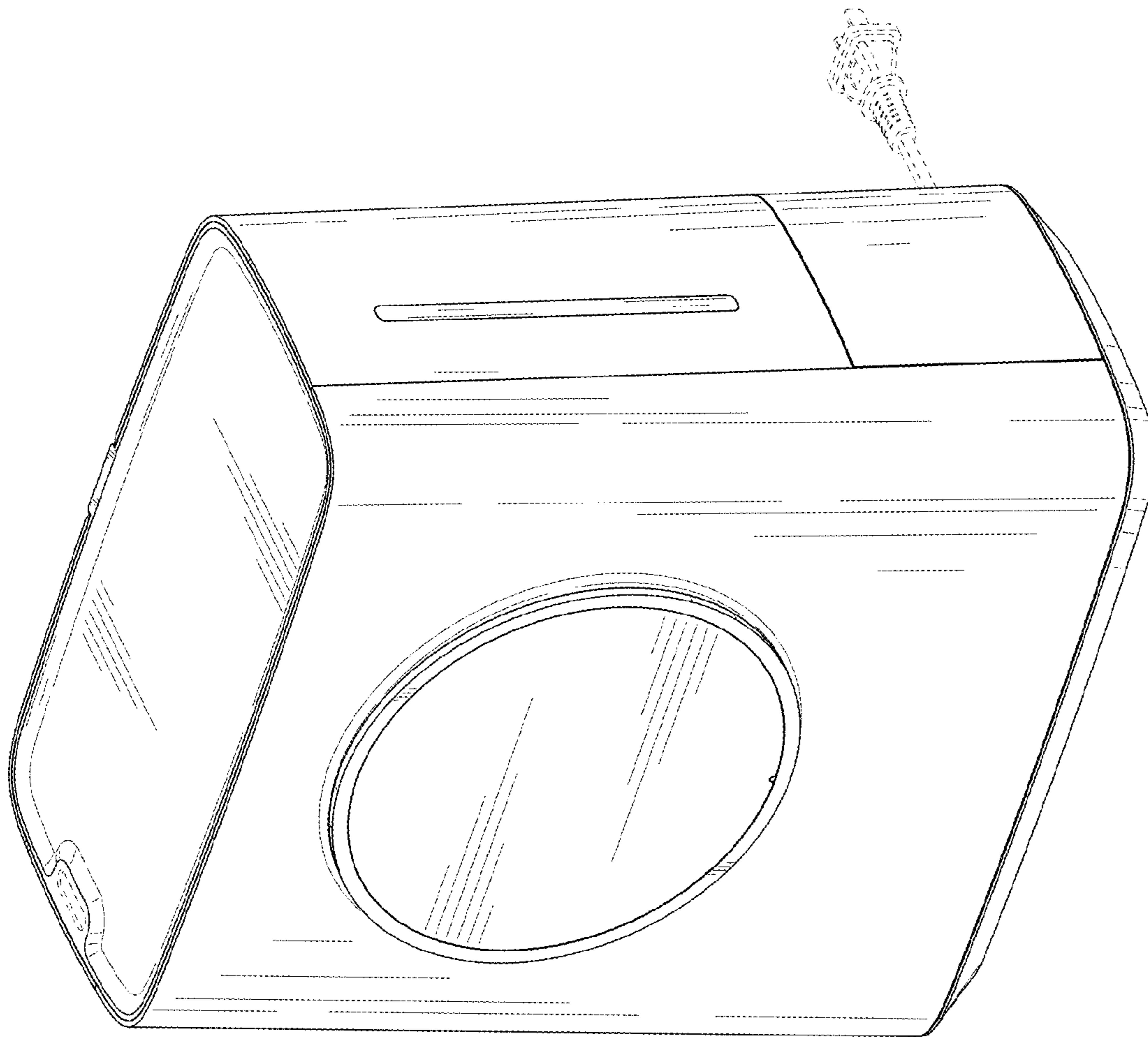


FIG. 1

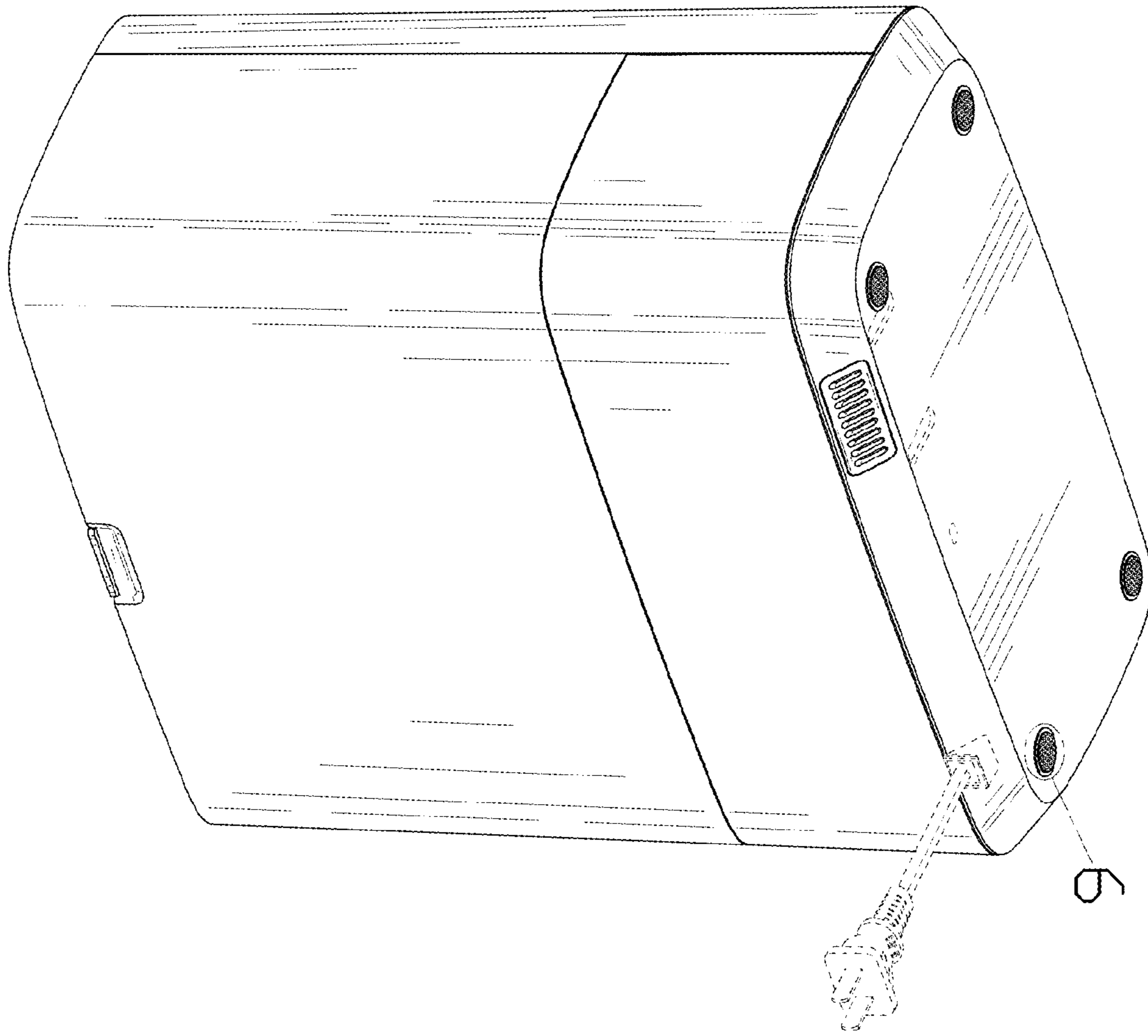


FIG. 2

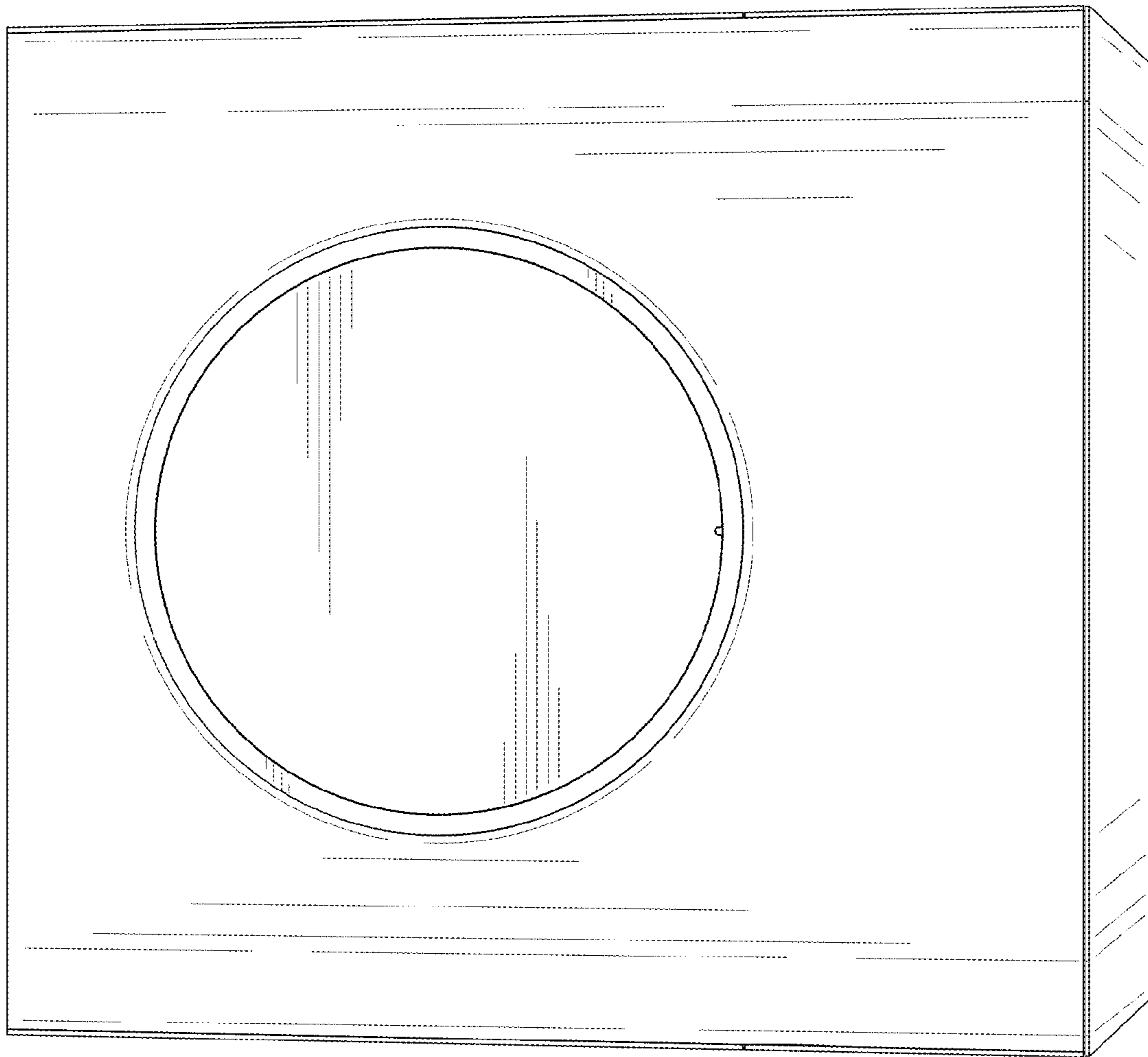


FIG. 3

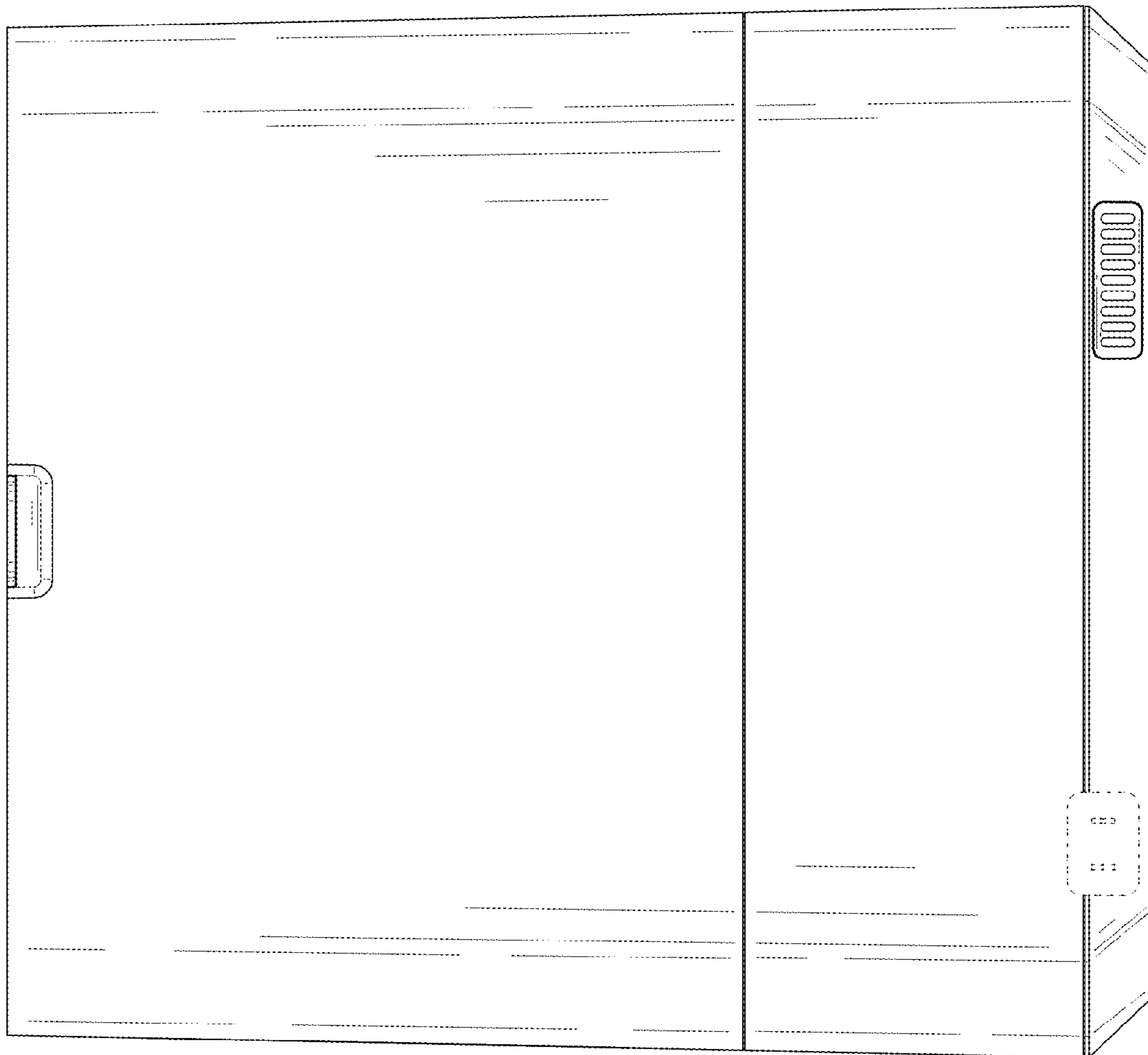


FIG. 4

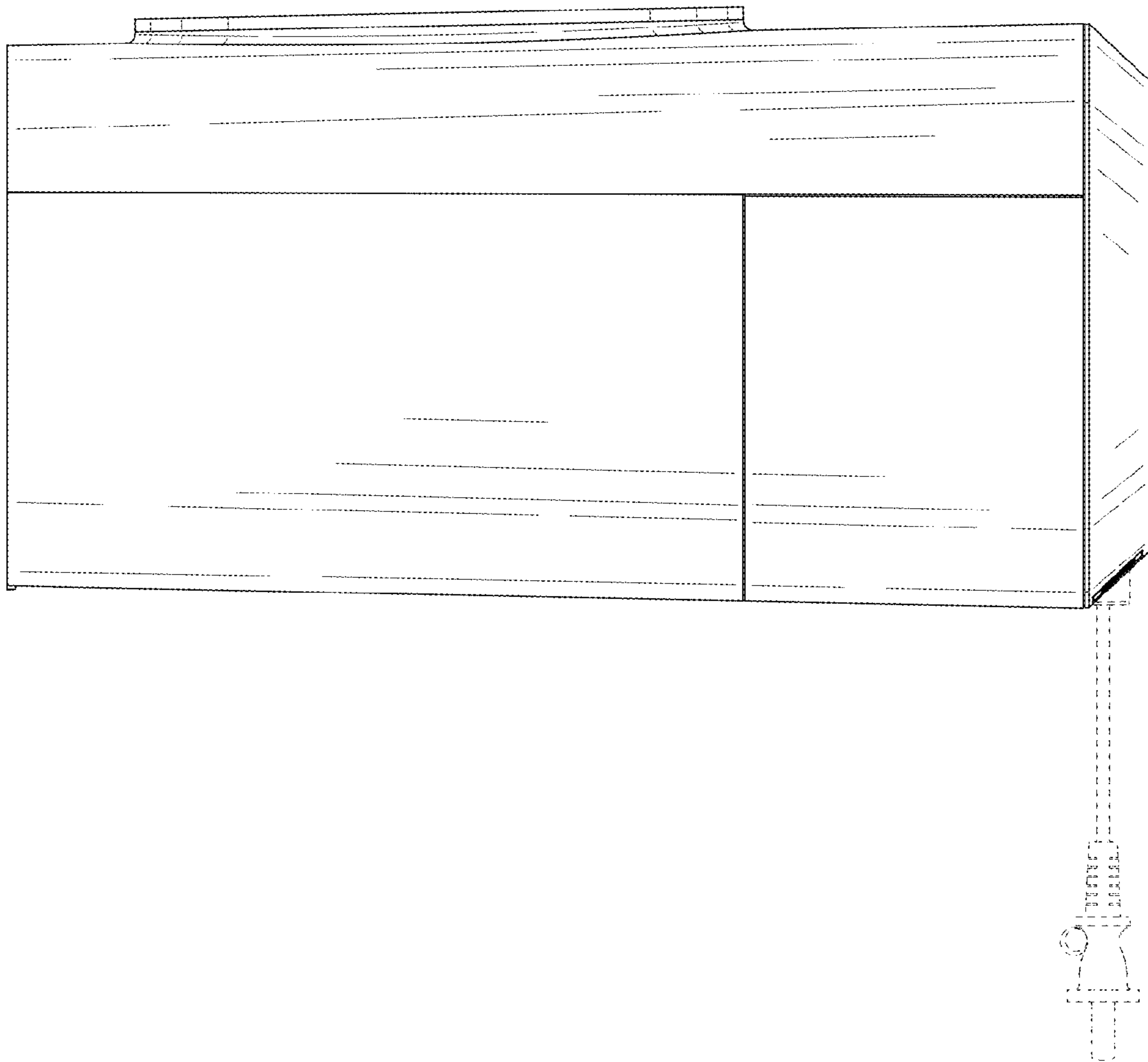


FIG. 5

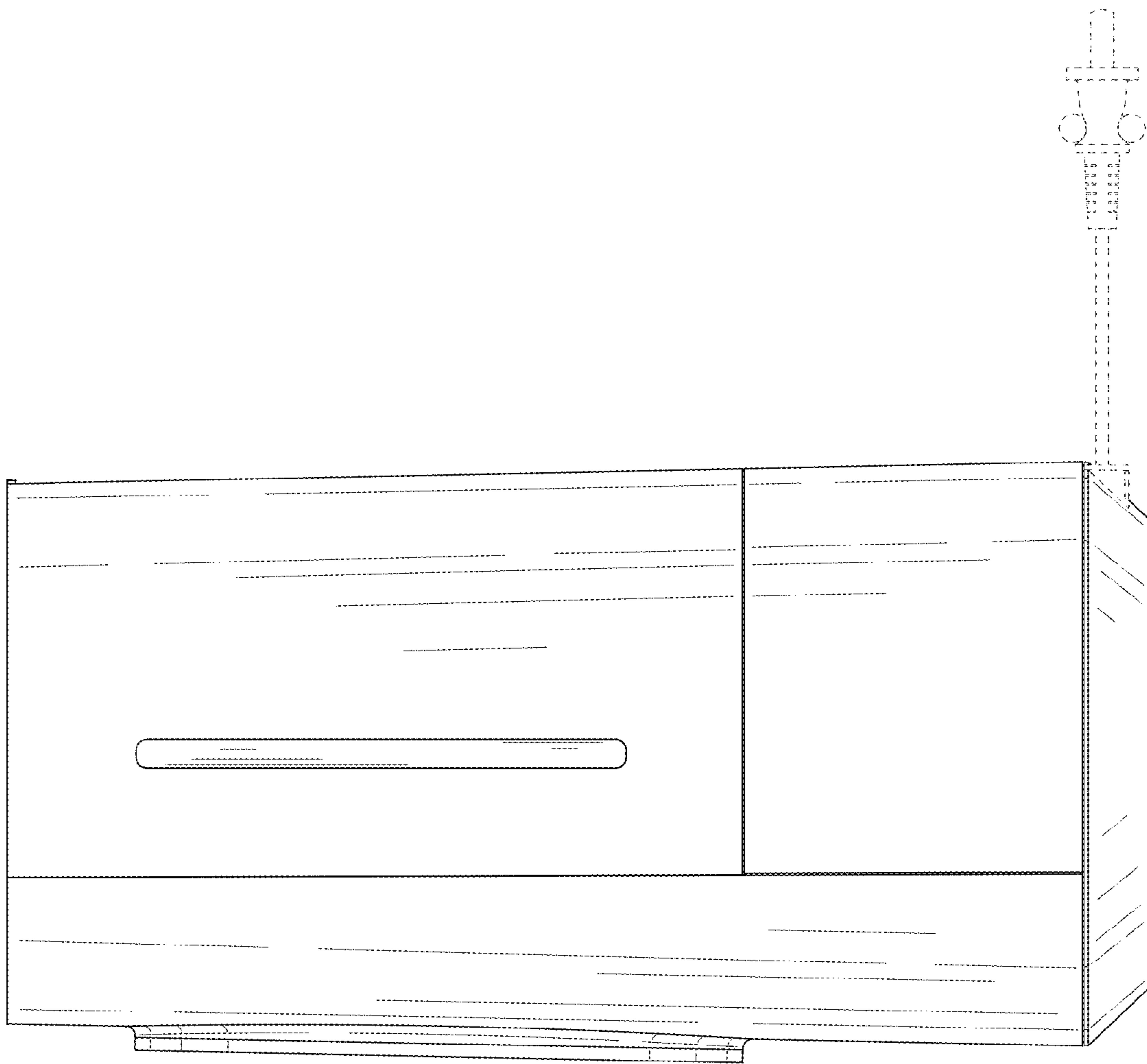


FIG. 6

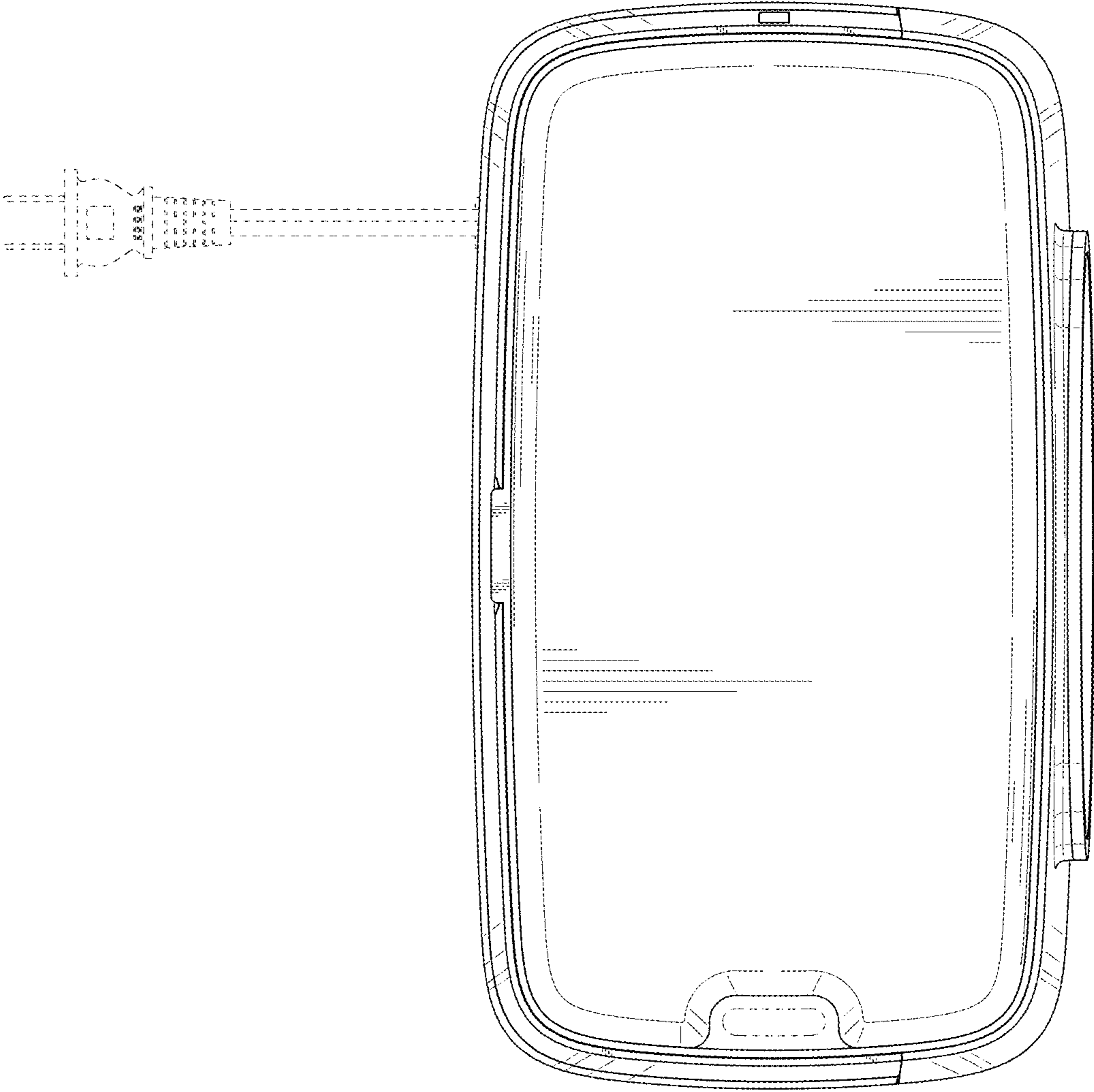


FIG. 7



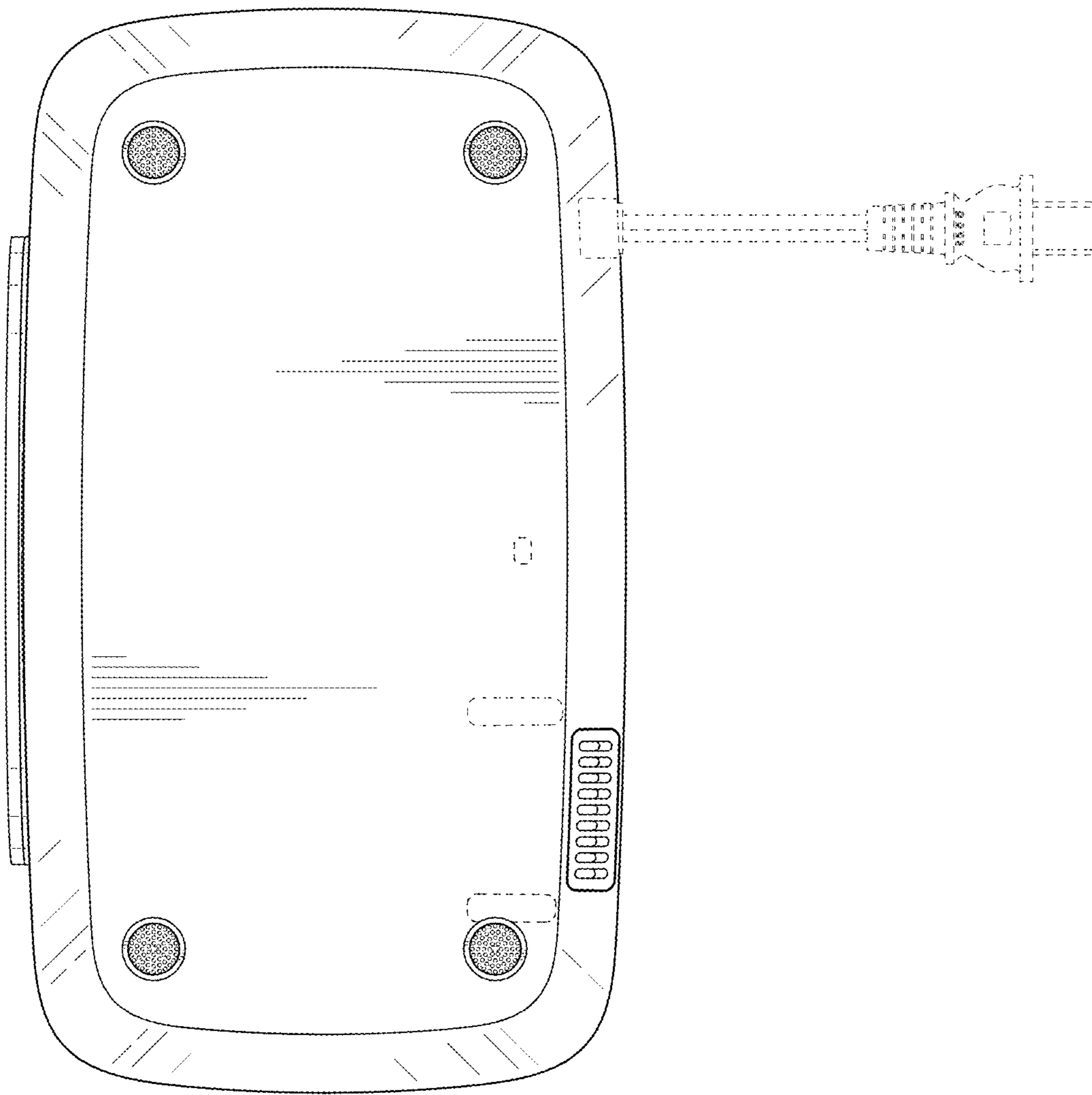


FIG. 8

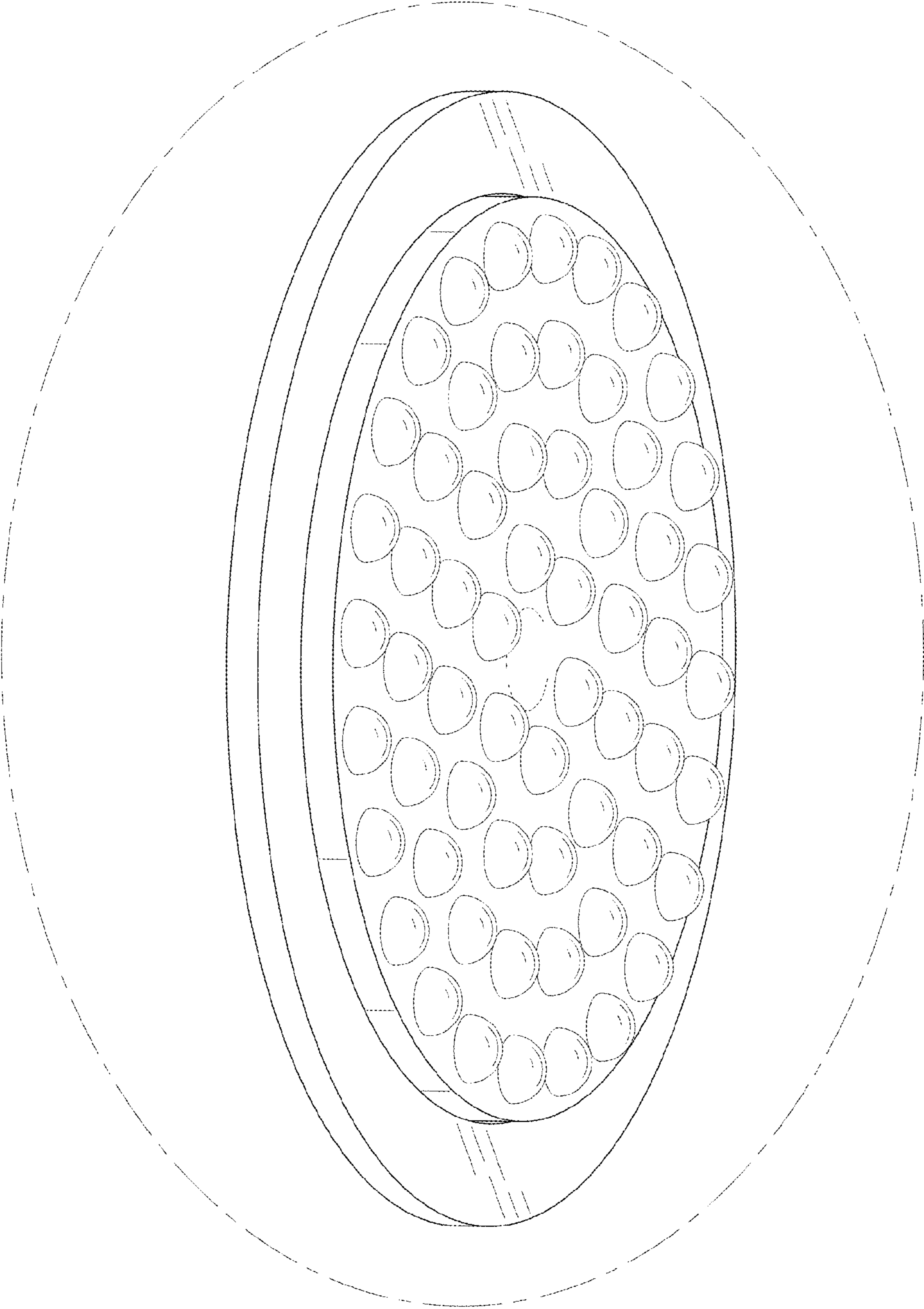


FIG. 9