



US00D980955S

(12) **United States Design Patent**  
**Martinez**

(10) **Patent No.:** **US D980,955 S**  
(45) **Date of Patent:** **\*\* Mar. 14, 2023**

(54) **GAS SEDIMENT TRAP**

(71) Applicant: **Jonathan A. Martinez**, Hanahan, SC  
(US)

(72) Inventor: **Jonathan A. Martinez**, Hanahan, SC  
(US)

(\*\*) Term: **15 Years**

(21) Appl. No.: **29/860,514**

(22) Filed: **Nov. 19, 2022**

(51) **LOC (14) Cl.** ..... **23-01**

(52) **U.S. Cl.**  
USPC ..... **D23/268**

(58) **Field of Classification Search**  
USPC ..... D23/259, 262-263, 266, 268  
CPC ..... B01D 45/02; F16L 41/021; F16L 55/24;  
F16K 11/105; F16K 11/14; E03C 1/122;  
E03C 1/284  
See application file for complete search history.

(56) **References Cited**

**U.S. PATENT DOCUMENTS**

- D25,977 S \* 8/1896 Horton ..... D23/255
- D30,487 S \* 4/1899 Hanrahan ..... D23/263
- 2,993,654 A \* 7/1961 Norton ..... F16K 7/07
- 3,416,818 A \* 12/1968 Conlin ..... F16L 15/08
- 3,486,771 A 12/1969 Conlin ..... 285/133.4
- 3,831,983 A 8/1974 Stickler
- D245,508 S \* 8/1977 Crow ..... D23/255
- 4,811,431 A 3/1989 Kraverath
- 5,104,150 A \* 4/1992 Bard ..... F16L 41/02
- 5,135,267 A \* 8/1992 Wilson ..... F16L 33/2076
- 5,213,375 A \* 5/1993 Wu ..... F16L 19/062
- 5,293,903 A 3/1994 Appelwick ..... 285/38

- D470,577 S 2/2003 Knight et al.
  - D522,616 S 6/2006 Minnick et al.
  - 7,156,425 B2 1/2007 Atkinson
  - D545,406 S \* 6/2007 Surinak ..... D23/266
  - D580,530 S 11/2008 McAlpine
  - D595,391 S 6/2009 Weltman
- (Continued)

**FOREIGN PATENT DOCUMENTS**

- CN 303720225 \* 6/2016
- KR 301106011.0000 \* 4/2021

**OTHER PUBLICATIONS**

Beduan Stainless Steel Pipe Fittings, first available Jun. 11, 2019[online], [site visited Jan. 19, 2023]. Available from internet, URL:<https://www.amazon.com/dp/B07SX7B6PS> (Year: 2019).\*

(Continued)

*Primary Examiner* — David G Muller  
*Assistant Examiner* — Jamaal Rasheed  
(74) *Attorney, Agent, or Firm* — Gregory Finch; Finch Paolino, LLC

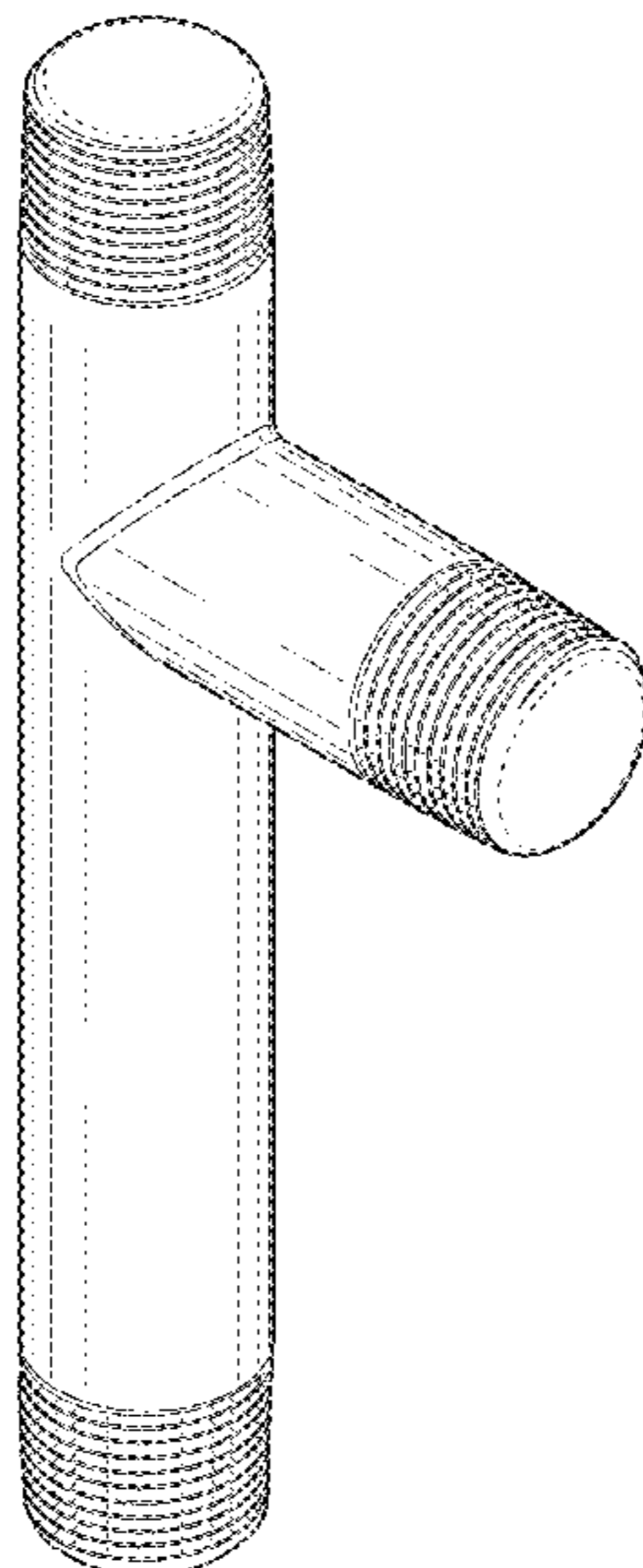
(57) **CLAIM**

The ornamental design for a gas sediment trap, as shown and described.

**DESCRIPTION**

FIG. 1 is an isometric view of the gas sediment trap, embodying the claimed design; FIG. 2 is a left elevation view thereof; FIG. 3 is a right elevation view thereof; FIG. 4 is a front elevation view thereof; FIG. 5 is a rear elevation view thereof; FIG. 6 is a top plan view thereof; and, FIG. 7 is a bottom plan view thereof. The broken lines shown in the drawings illustrate portions of the gas sediment trap that form no part of the claim.

**1 Claim, 7 Drawing Sheets**



(56)

References Cited

U.S. PATENT DOCUMENTS

7,621,295 B2 11/2009 Reck  
 7,644,730 B2 1/2010 Reck  
 7,882,851 B2 2/2011 Weltman  
 9,061,223 B2 6/2015 Winborn  
 D755,940 S 5/2016 Schulze  
 D773,658 S 12/2016 Bow  
 D802,101 S \* 11/2017 Kirar ..... D23/257  
 D856,859 S \* 8/2019 Siegel ..... D12/162  
 D892,280 S 8/2020 Lee et al.  
 D892,281 S 8/2020 Lee et al.  
 D892,282 S 8/2020 Desilets  
 D915,563 S \* 4/2021 Seum ..... D23/257  
 D924,375 S 7/2021 Decaria et al.  
 D956,179 S \* 6/2022 Anastasiades ..... D23/238  
 11,408,153 B1 \* 8/2022 Mason ..... E03F 3/04  
 D967,354 S 10/2022 Martinez  
 2005/0104371 A1 5/2005 Atkinson  
 2007/0209707 A1 9/2007 Weltman  
 2008/0142086 A1 6/2008 Reck  
 2008/0142103 A1 6/2008 Reck  
 2015/0034185 A1 2/2015 Winborn  
 2016/0076677 A1 \* 3/2016 Conrad ..... B29C 66/81455  
 285/294.1  
 2016/0076688 A1 \* 3/2016 Chan ..... F16L 25/14  
 285/133.11

2019/0170264 A1 6/2019 Roy, Jr. et al.  
 2020/0355310 A1 \* 11/2020 Wu ..... F16L 41/021  
 2021/0131576 A1 5/2021 Roy, Jr. et al.  
 2021/0202121 A1 \* 7/2021 Bezlepkin ..... G21C 15/22  
 2022/0128184 A1 \* 4/2022 Hess ..... F16L 41/021  
 2022/0228353 A1 6/2022 Mason  
 2022/0233974 A1 \* 7/2022 Stern ..... B01D 21/34

OTHER PUBLICATIONS

Pipe Décor Black Steel Pipe, first available Oct. 12, 2020[online], [site visited Jan. 20, 2023]. Available from internet, URL:<<https://www.amazon.com/dp/B08L445V4>> (Year: 2020).\*

Gas Sediment Trap Full Port Gas Ball Valve w 3" Tee fitting & Cap; Earliest review date Dec. 2021; [https://www.supplyhouse.com/Webstone-H-22442-1-2-Gas-Sediment-Trap-Full-Port-Gas-Ball-Valve-w-3-Tee-Fitting-Cap?utm\\_source=google\\_ad&utm\\_medium=Shopping\\_withoutdata&utm\\_campaign=Shopping\\_Without\\_PLTV\\_data&gclid=EAIALQobChM1gouEuf7I-QIVGr3ICh2FsAPfEAQYAiABEgJ7evD\\_BwE](https://www.supplyhouse.com/Webstone-H-22442-1-2-Gas-Sediment-Trap-Full-Port-Gas-Ball-Valve-w-3-Tee-Fitting-Cap?utm_source=google_ad&utm_medium=Shopping_withoutdata&utm_campaign=Shopping_Without_PLTV_data&gclid=EAIALQobChM1gouEuf7I-QIVGr3ICh2FsAPfEAQYAiABEgJ7evD_BwE) (Year: 2021).

“What is a Sediment Trap?” article Published Online Dec. 2018; <https://jmcinspections.com/what-is-a-sediment-trap/> (Year: 2018).

Drip Leg—Standard Sediment Trap; Tarantin Industries Website Copyright Date 2020; <https://www.tarantin.com/items/DRIP-LEG3/8> (Year: 2020).

\* cited by examiner

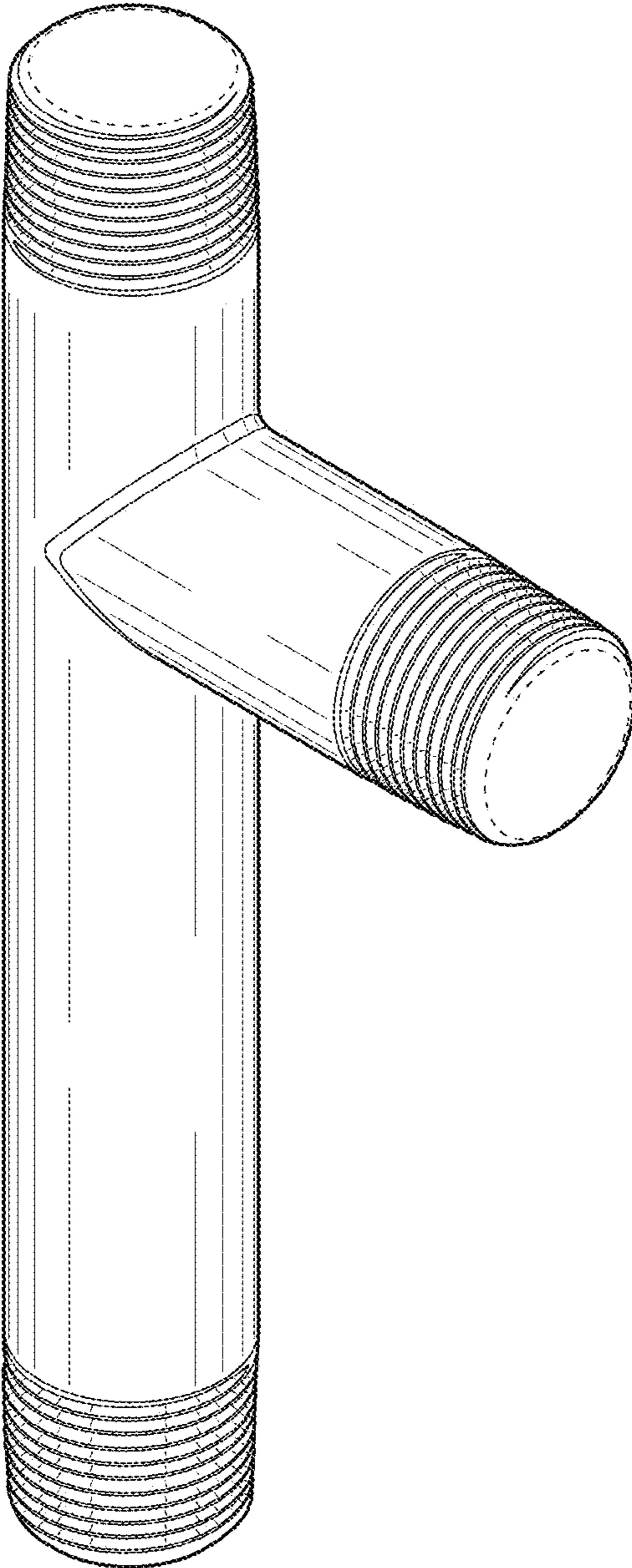


Fig. 1

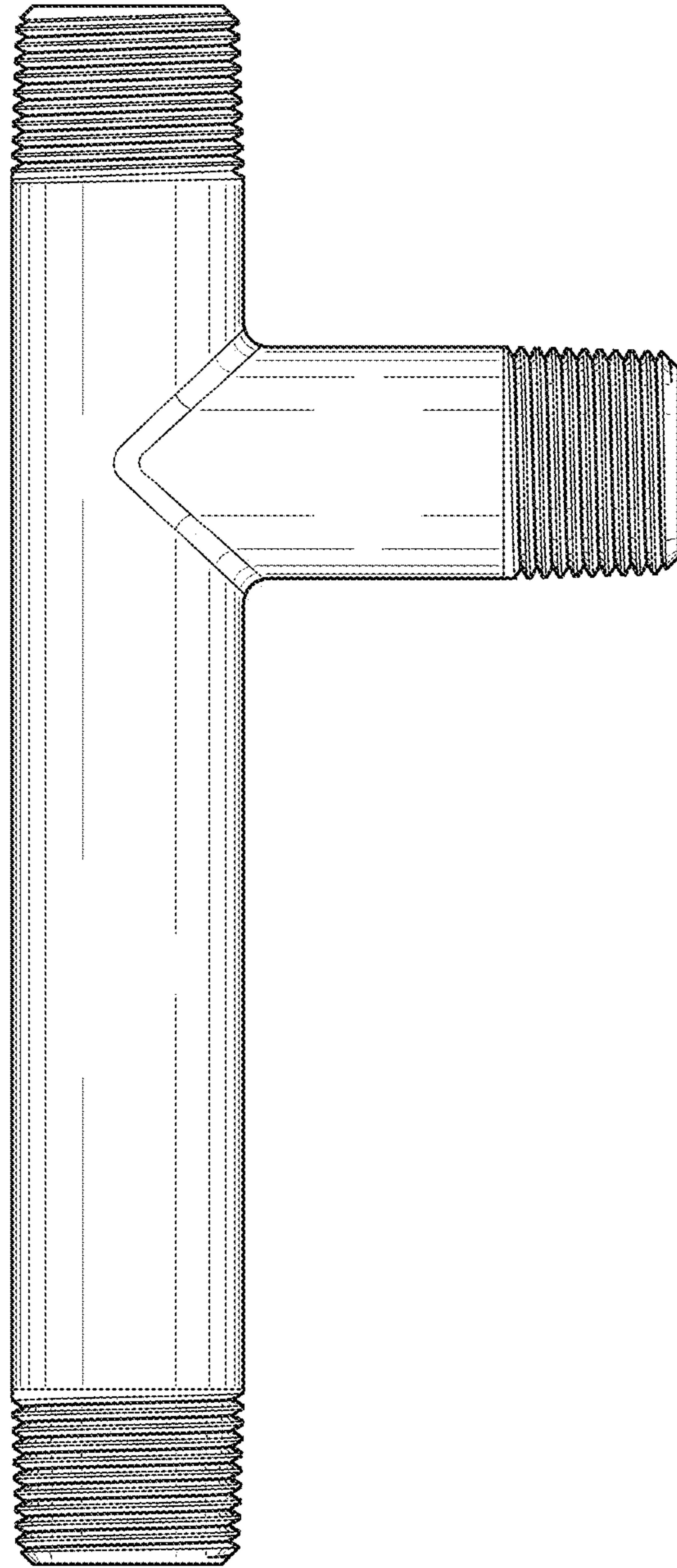


Fig. 2

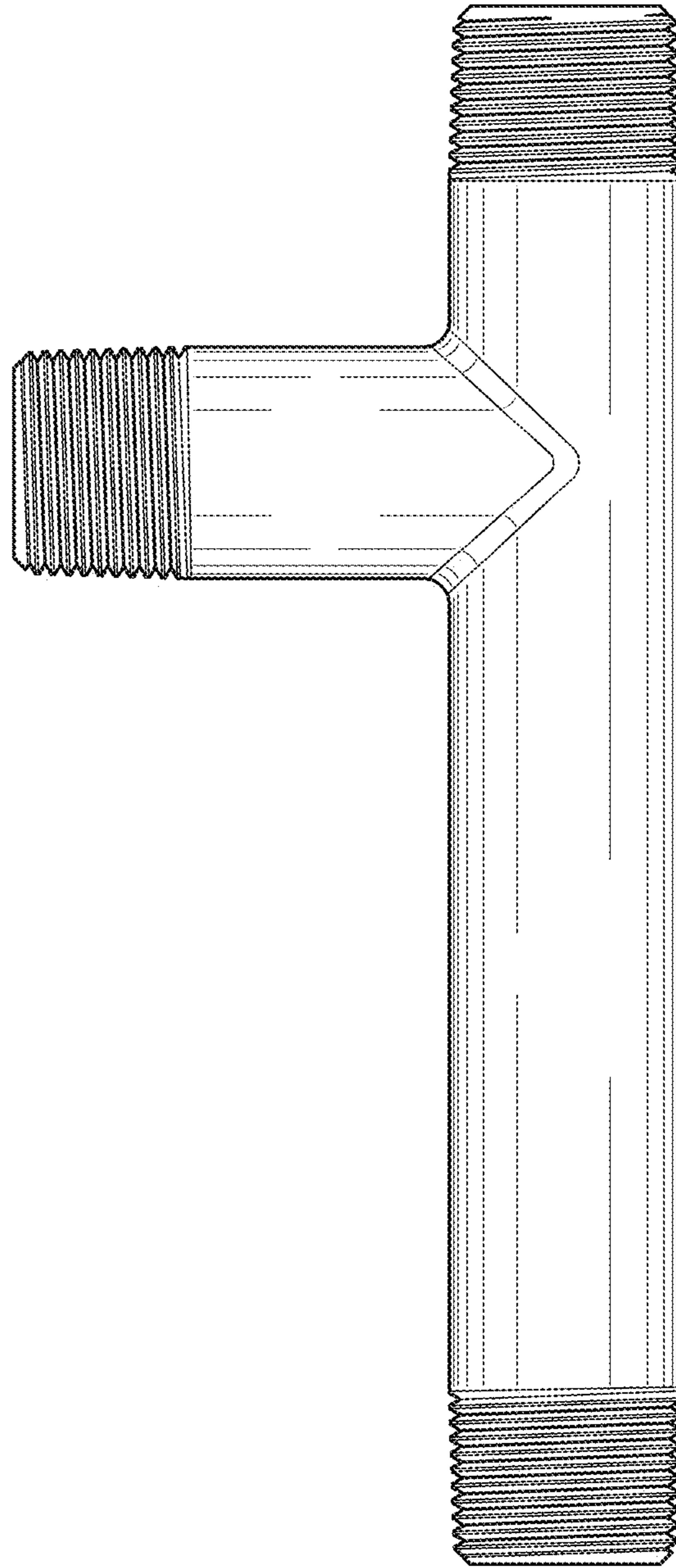


Fig. 3

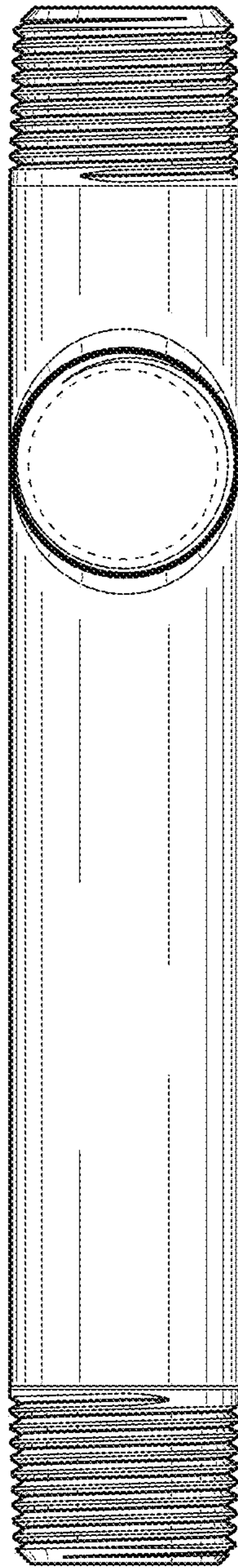


Fig. 4

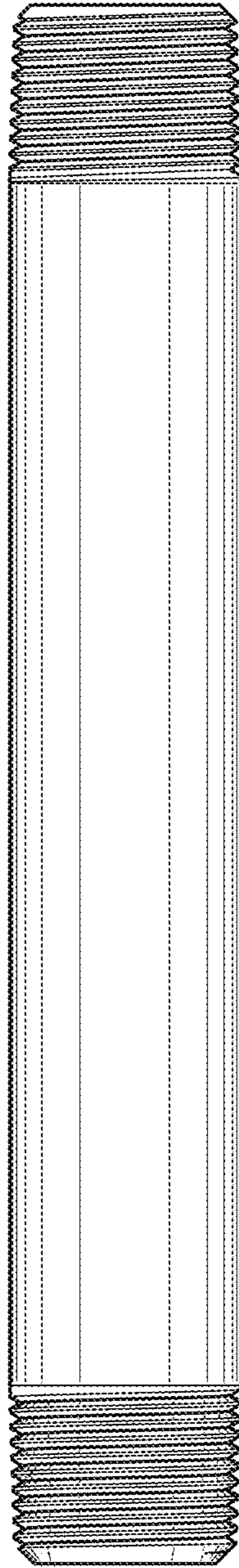


Fig. 5

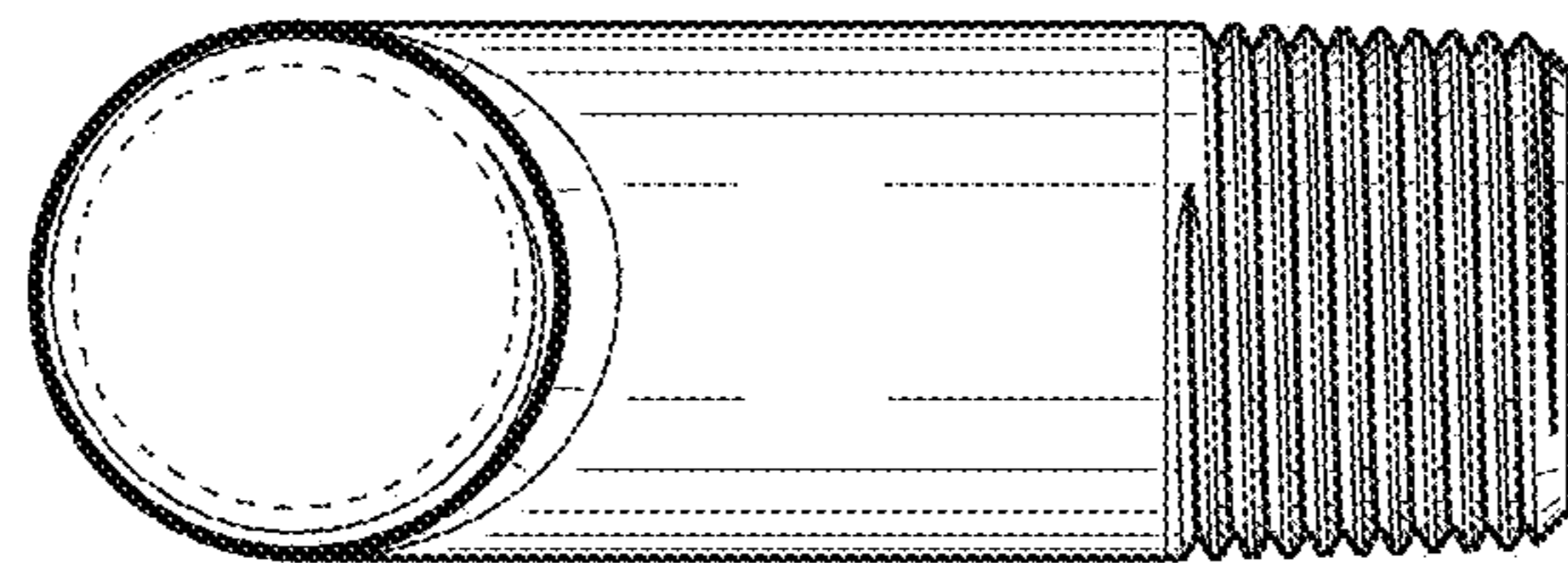


Fig. 6



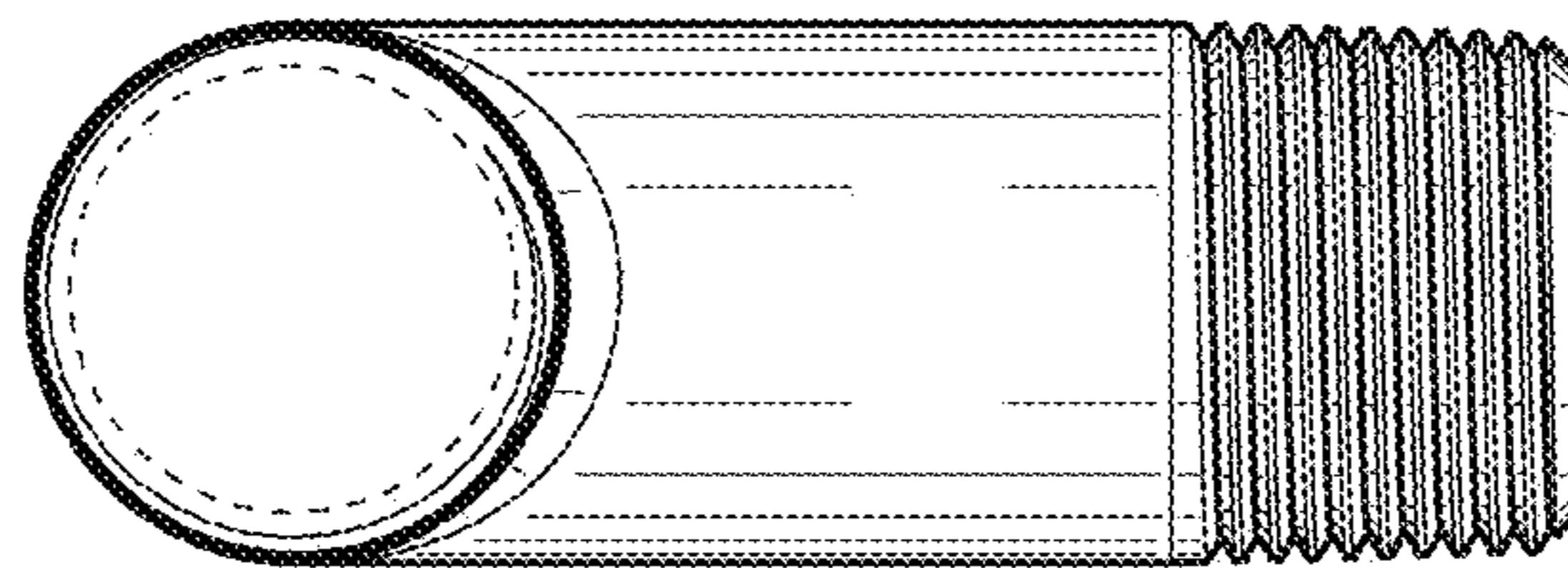


Fig. 7