



US00D980953S

(12) **United States Design Patent**  
**Shi**

(10) **Patent No.:** **US D980,953 S**  
(45) **Date of Patent:** **\*\* Mar. 14, 2023**

- (54) **FAUCET**
- (71) Applicant: **Tianxing Shi**, Gansu (CN)
- (72) Inventor: **Tianxing Shi**, Gansu (CN)
- (\*\*) Term: **15 Years**
- (21) Appl. No.: **29/845,964**
- (22) Filed: **Jul. 12, 2022**
- (51) **LOC (14) Cl.** ..... **23-01**
- (52) **U.S. Cl.**  
USPC ..... **D23/255**
- (58) **Field of Classification Search**  
USPC ..... D23/238, 241–243, 249–250, 252, 254;  
D8/307–308, 352  
See application file for complete search history.

D930,793 S	9/2021	Kim et al.	
D941,960 S *	1/2022	Zeff .....	D23/242
D954,200 S *	6/2022	Williams .....	D23/238
D954,201 S	6/2022	Garland	
D956,182 S	6/2022	Abramson	
2022/0136224 A1*	5/2022	Yan .....	E03C 1/0404 4/623

\* cited by examiner

*Primary Examiner* — Robert A Delehanty

(57) **CLAIM**

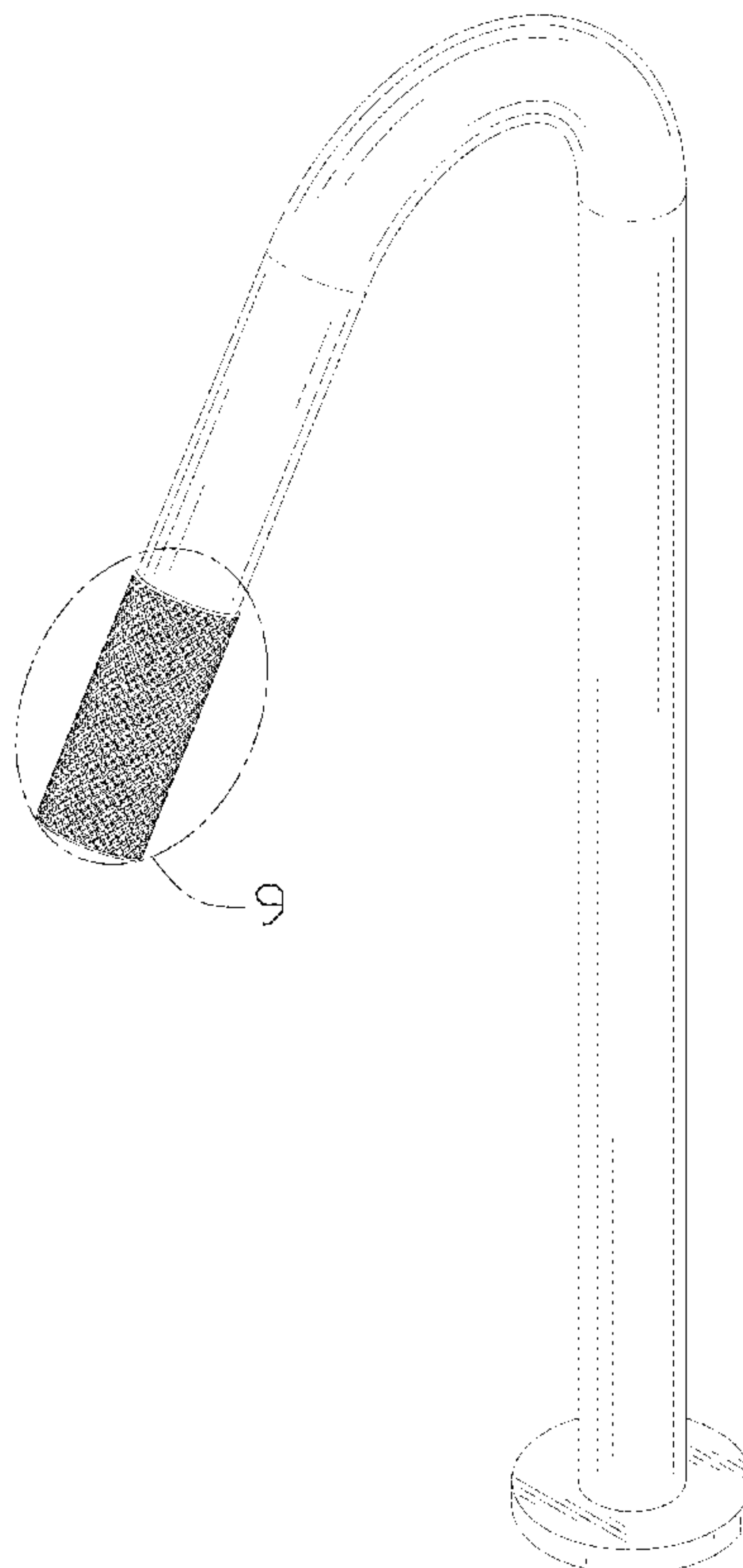
The ornamental design for a faucet, as shown and described.

**DESCRIPTION**

FIG. 1 is a perspective view of a faucet showing my new design.  
 FIG. 2 is another perspective view of a faucet.  
 FIG. 3 is a front view of a faucet.  
 FIG. 4 is a rear view of a faucet.  
 FIG. 5 is a left side view of a faucet.  
 FIG. 6 is a right side view of a faucet.  
 FIG. 7 is a top view of a faucet.  
 FIG. 8 is a bottom view of a faucet; and,  
 FIG. 9 is an enlarged view of a faucet taken from the part in FIG. 1.  
 The broken lines illustrate portions of the faucet that form no part of the claimed design.

**1 Claim, 9 Drawing Sheets**

- (56) **References Cited**  
U.S. PATENT DOCUMENTS
- |                 |         |               |             |
|-----------------|---------|---------------|-------------|
| D832,981 S *    | 11/2018 | Andrew .....  | D23/238     |
| 10,174,487 B2 * | 1/2019  | Hong .....    | E03C 1/0404 |
| D867,536 S *    | 11/2019 | Soulier ..... | D23/241     |
| D873,964 S *    | 1/2020  | Soulier ..... | D23/238     |
| 10,753,501 B2 * | 8/2020  | Hong .....    | E03C 1/0412 |
| D914,148 S      | 3/2021  | Flaig et al.  |             |
| D914,150 S      | 3/2021  | He            |             |
| D914,847 S      | 3/2021  | Zhang         |             |
| D921,159 S      | 6/2021  | Yang          |             |
| D924,368 S      | 7/2021  | Diefenbach    |             |
| D926,936 S      | 8/2021  | Williams      |             |
| D926,940 S      | 8/2021  | Bosio         |             |



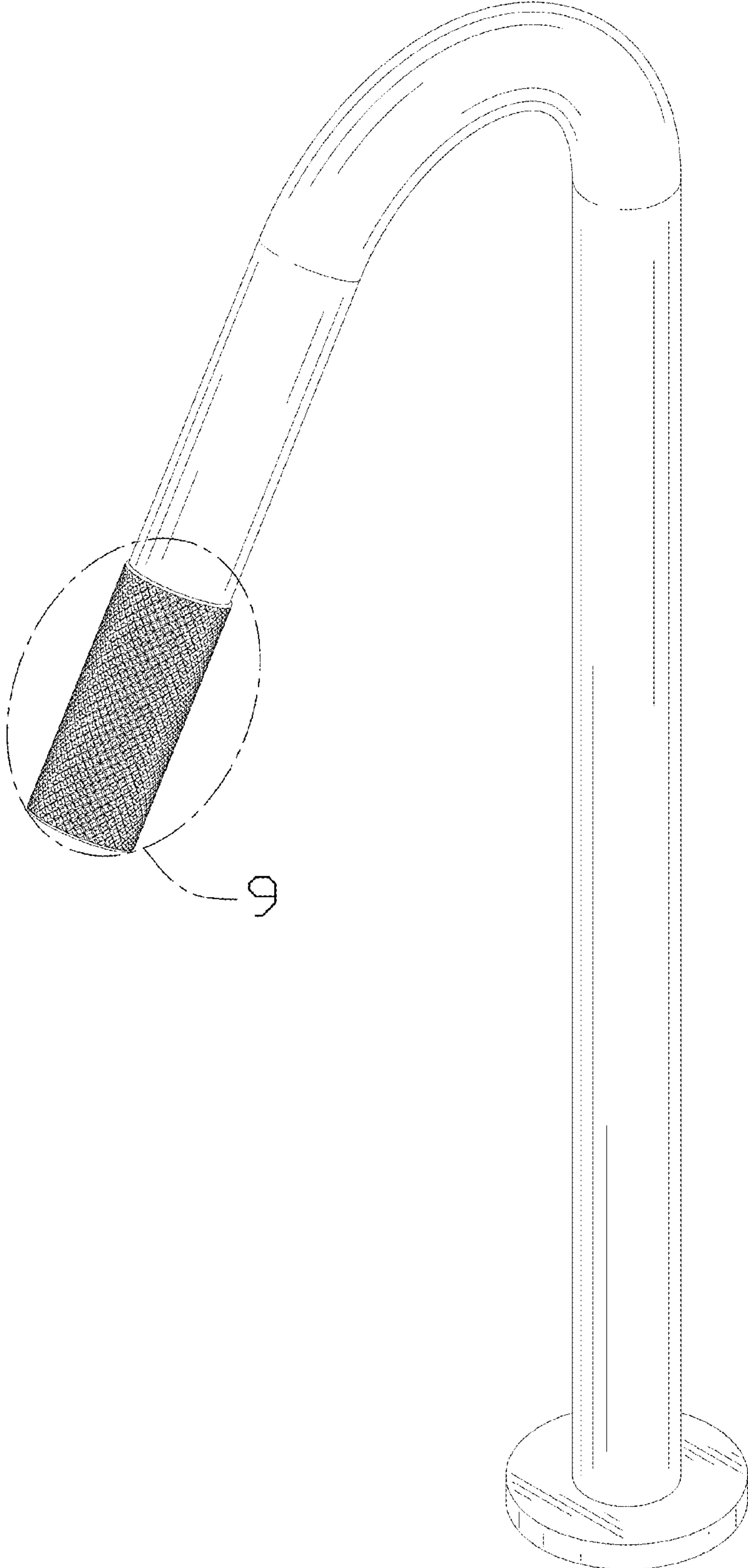


FIG. 1

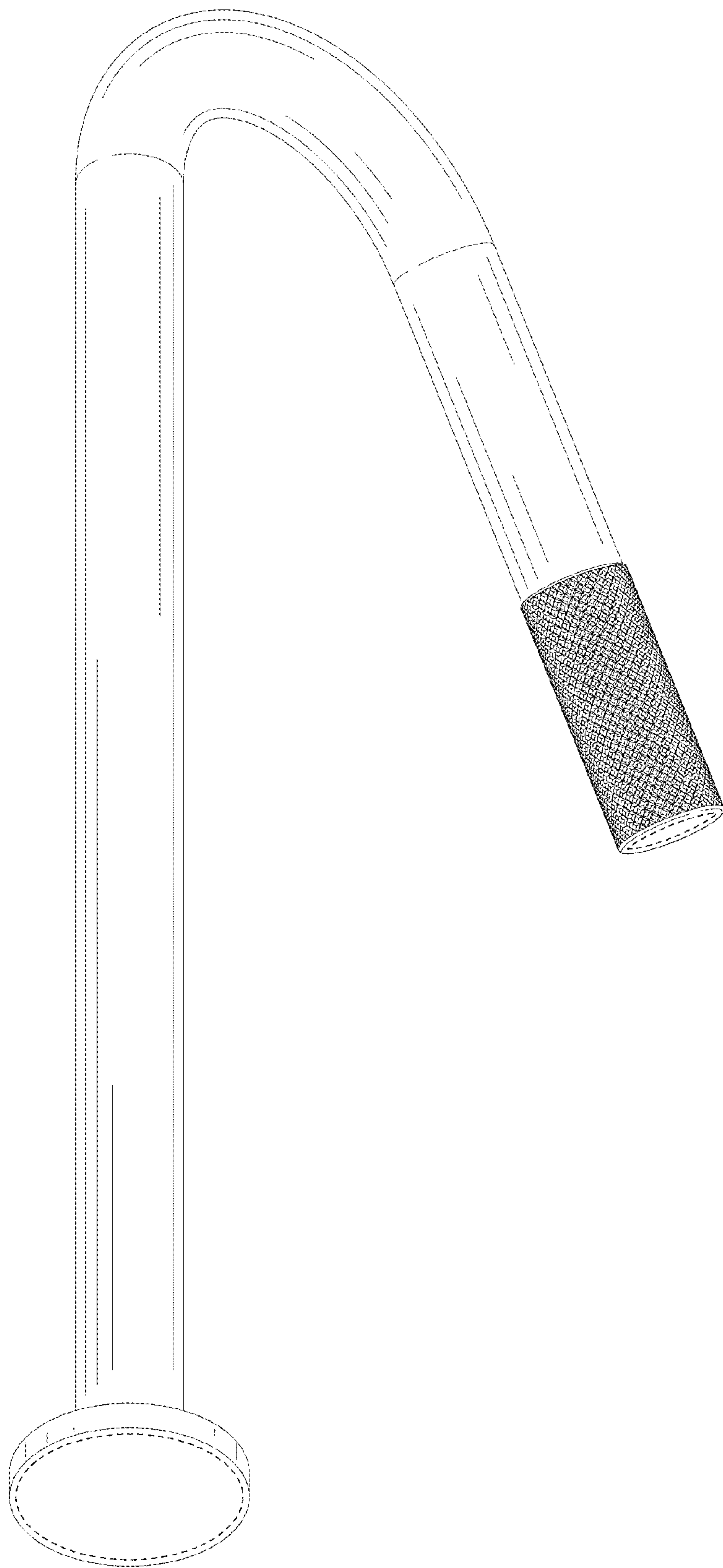


FIG. 2

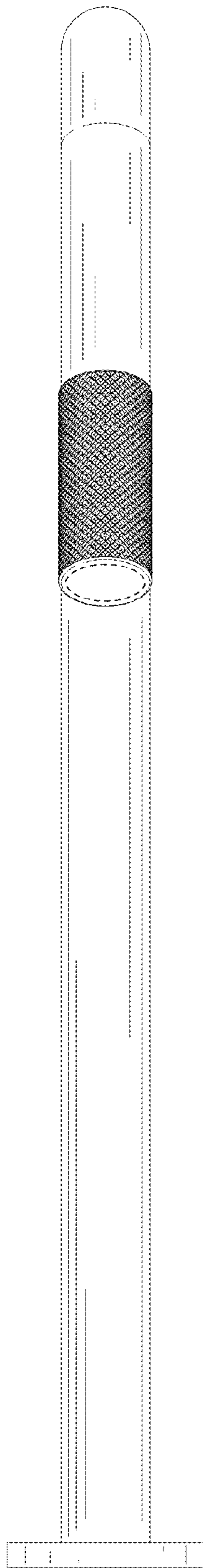


FIG. 3

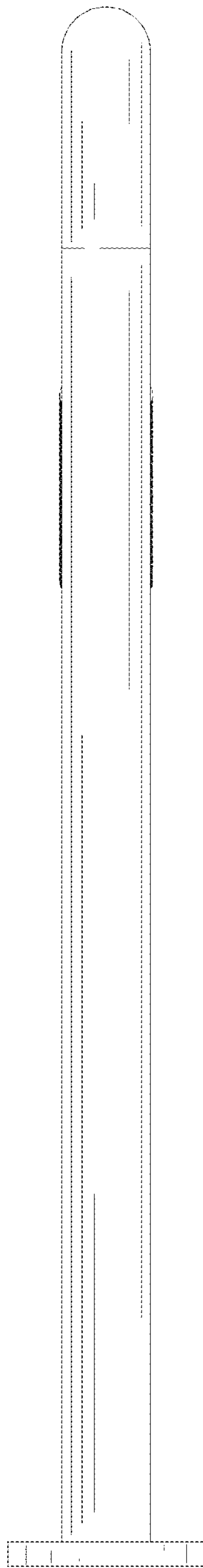


FIG. 4

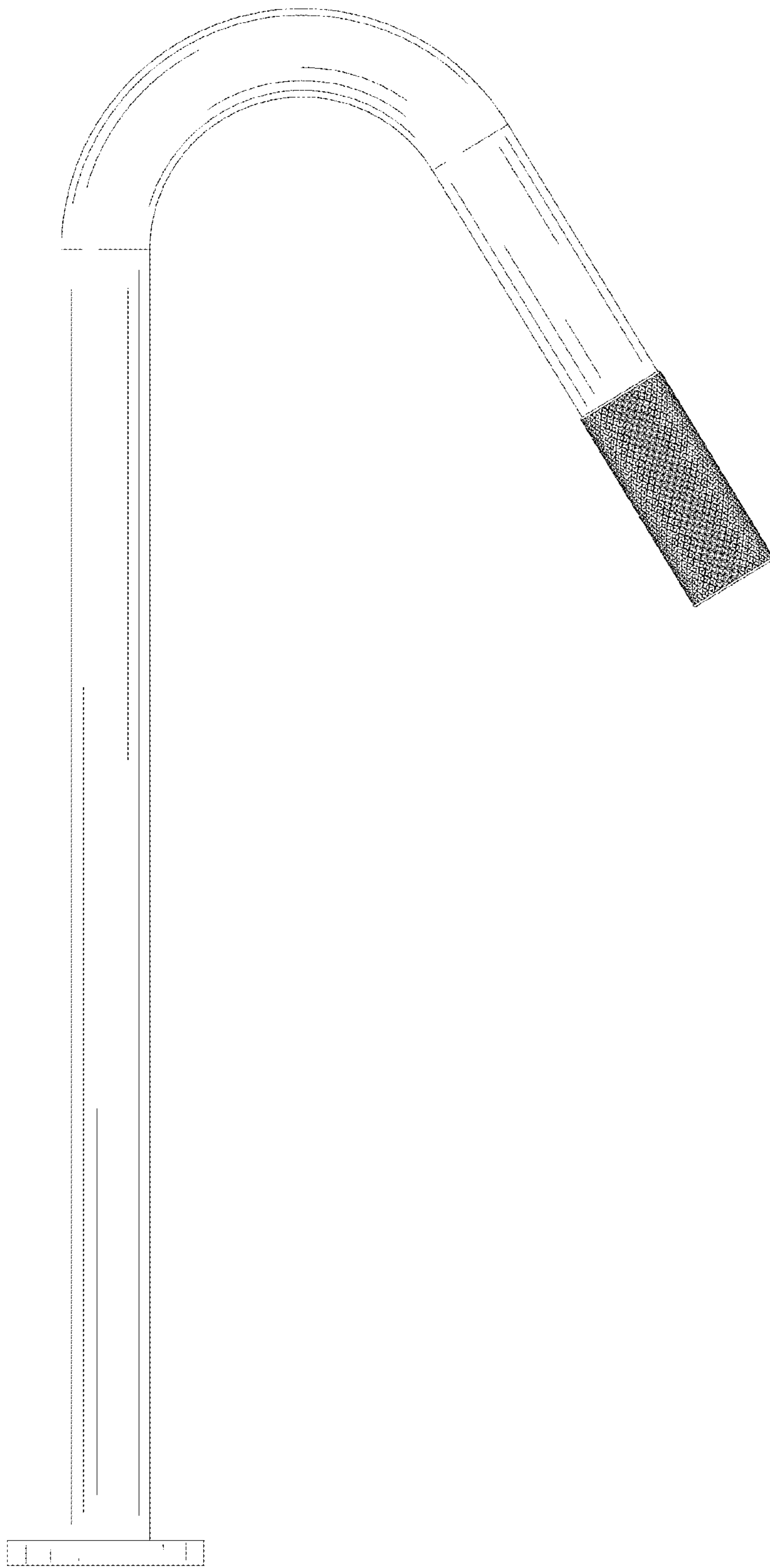


FIG. 5



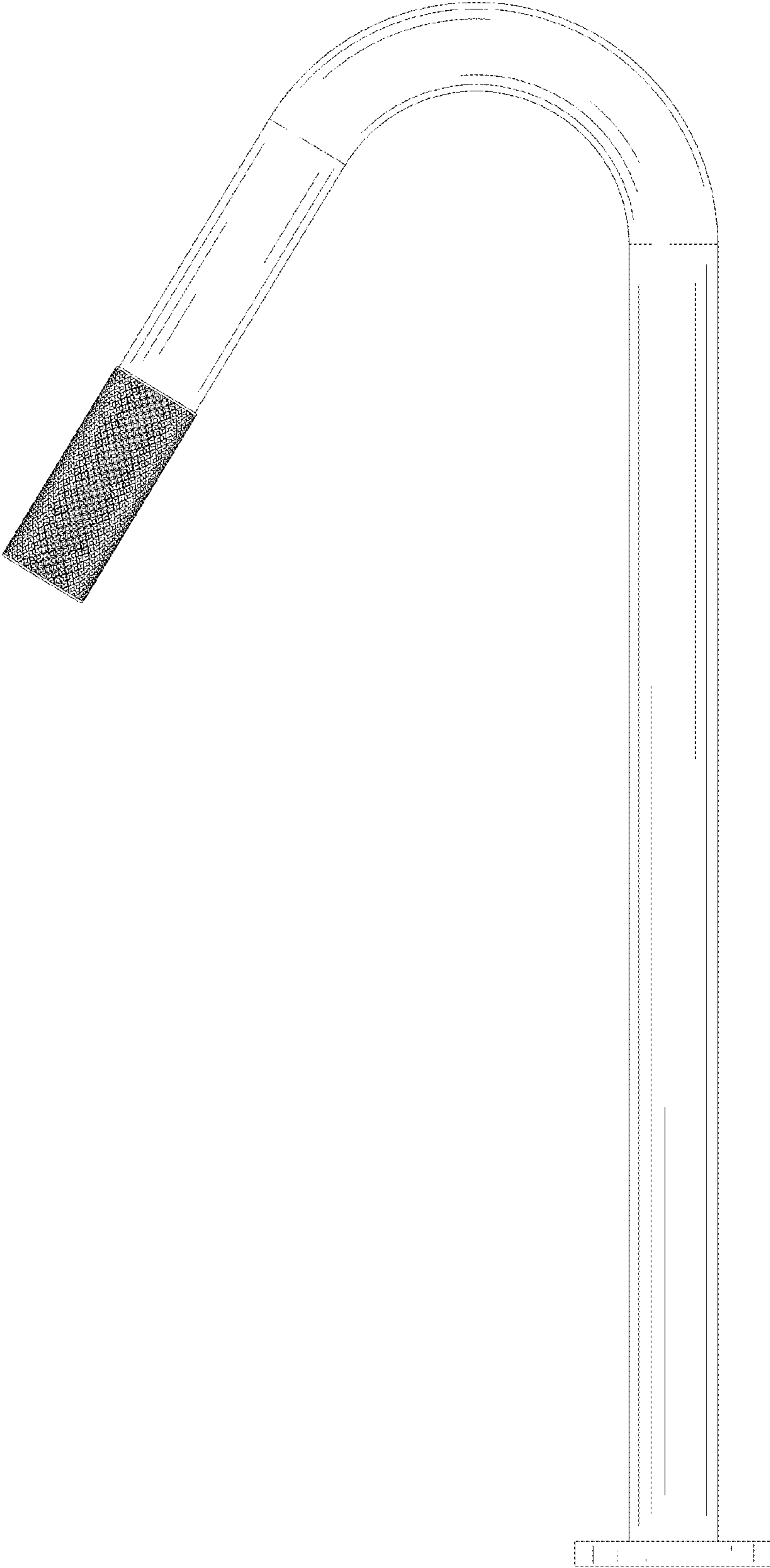


FIG. 6

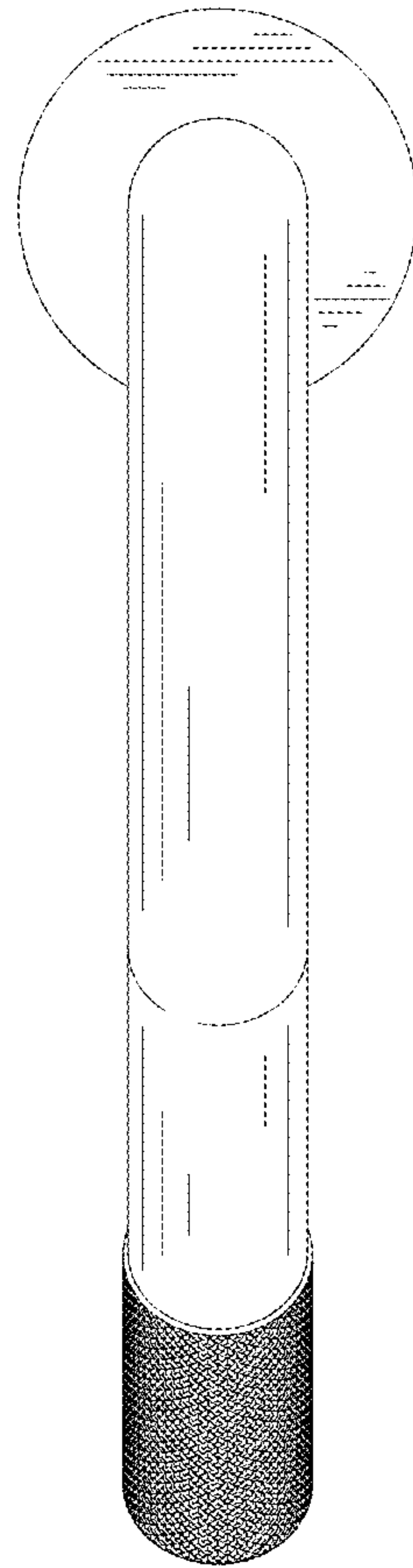


FIG. 7



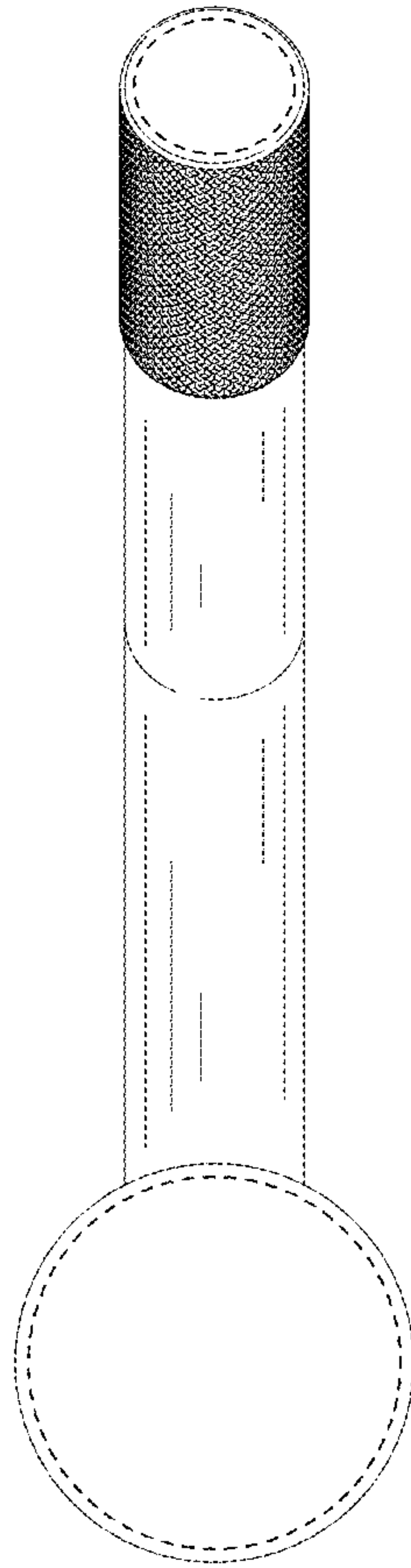


FIG. 8

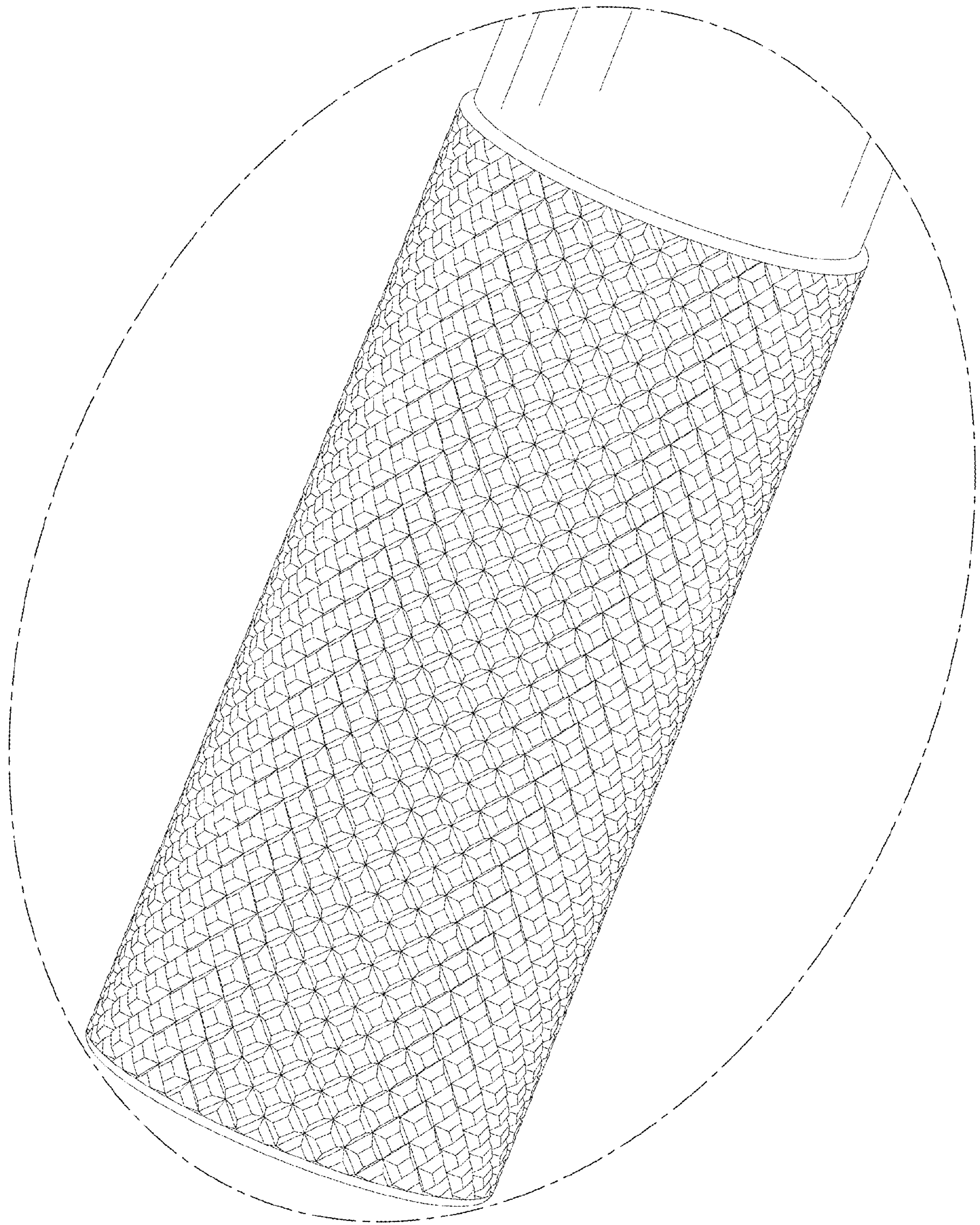


FIG. 9