



US00D980952S

(12) **United States Design Patent**  
**Chen**

(10) **Patent No.:** **US D980,952 S**

(45) **Date of Patent:** **\*\* Mar. 14, 2023**

(54) **FAUCET**

(71) Applicant: **Yuanbo Chen**, Wenzhou (CN)

(72) Inventor: **Yuanbo Chen**, Wenzhou (CN)

(\*\*) Term: **15 Years**

(21) Appl. No.: **29/813,700**

(22) Filed: **Nov. 1, 2021**

(51) **LOC (14) Cl.** ..... **23-01**

(52) **U.S. Cl.**  
USPC ..... **D23/238**

(58) **Field of Classification Search**  
USPC ..... D23/238-243, 250, 252, 254-255, 257;  
D8/307-308

See application file for complete search history.

(56) **References Cited**

**U.S. PATENT DOCUMENTS**

D304,609 S	*	11/1989	Lathrop	.....	D23/238
D663,803 S	*	7/2012	Tang	.....	D23/238
D855,769 S		8/2019	Eads		
D874,614 S		2/2020	Lazarini		
D946,120 S	*	3/2022	Zhang	.....	D23/238

**OTHER PUBLICATIONS**

Sweethome: single handle waterfall faucet solid brass creative hollow design faucet, [https://www.sweethome247.com/products/single-handle-waterfall-faucet-solid-brass-creative-hollow-design-faucet?gclid=EAIaIQobChMI7eHQ3Kvx-AIVNvbjBx1HCgm8EAQYDSABEGl7qvD\\_BwE](https://www.sweethome247.com/products/single-handle-waterfall-faucet-solid-brass-creative-hollow-design-faucet?gclid=EAIaIQobChMI7eHQ3Kvx-AIVNvbjBx1HCgm8EAQYDSABEGl7qvD_BwE) (Year: 2022).\*

\* cited by examiner

*Primary Examiner* — Robert A Delehanty

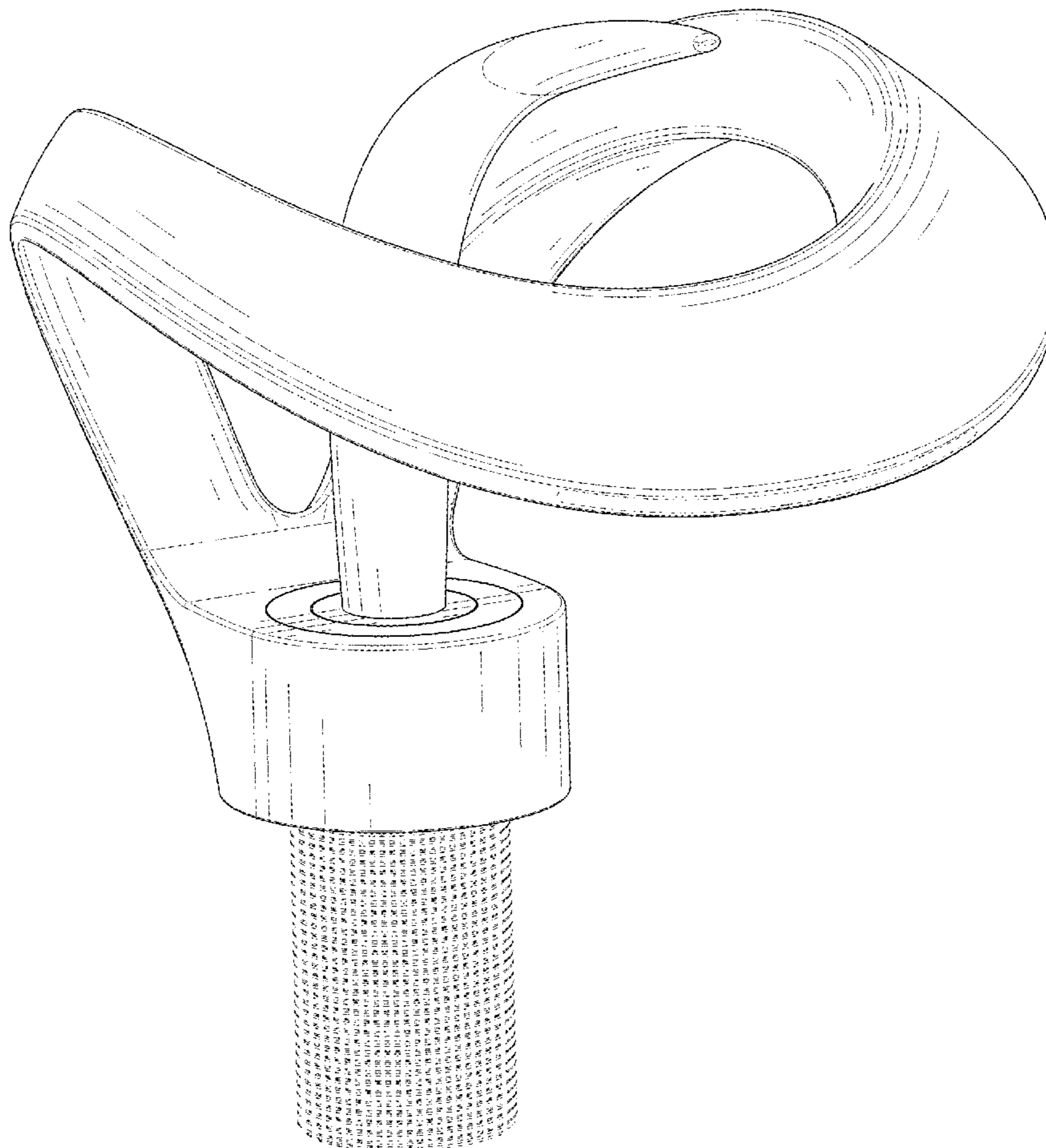
(57) **CLAIM**

The ornamental design for a faucet, as shown and described.

**DESCRIPTION**

FIG. 1 is a perspective view of a faucet showing my new design;  
FIG. 2 is another perspective view thereof;  
FIG. 3 is a front elevational view thereof;  
FIG. 4 is a rear elevational view thereof;  
FIG. 5 is a left side elevational view thereof;  
FIG. 6 is a right side elevational view thereof;  
FIG. 7 is a top plan view thereof; and,  
FIG. 8 is a bottom plan view thereof.  
The broken lines in the drawings depict portions of the faucet that form no part of the claimed design.

**1 Claim, 8 Drawing Sheets**



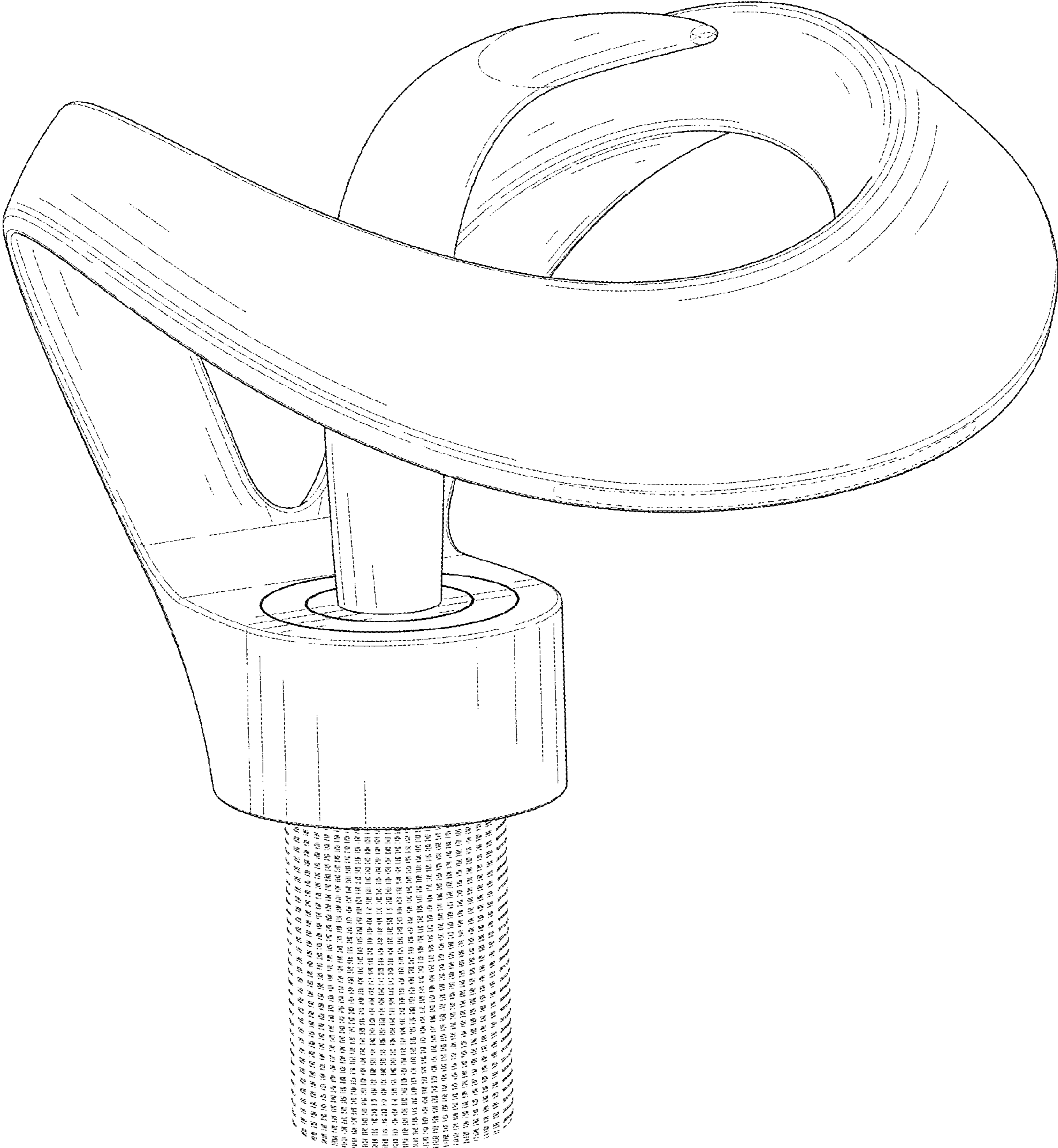


FIG. 1

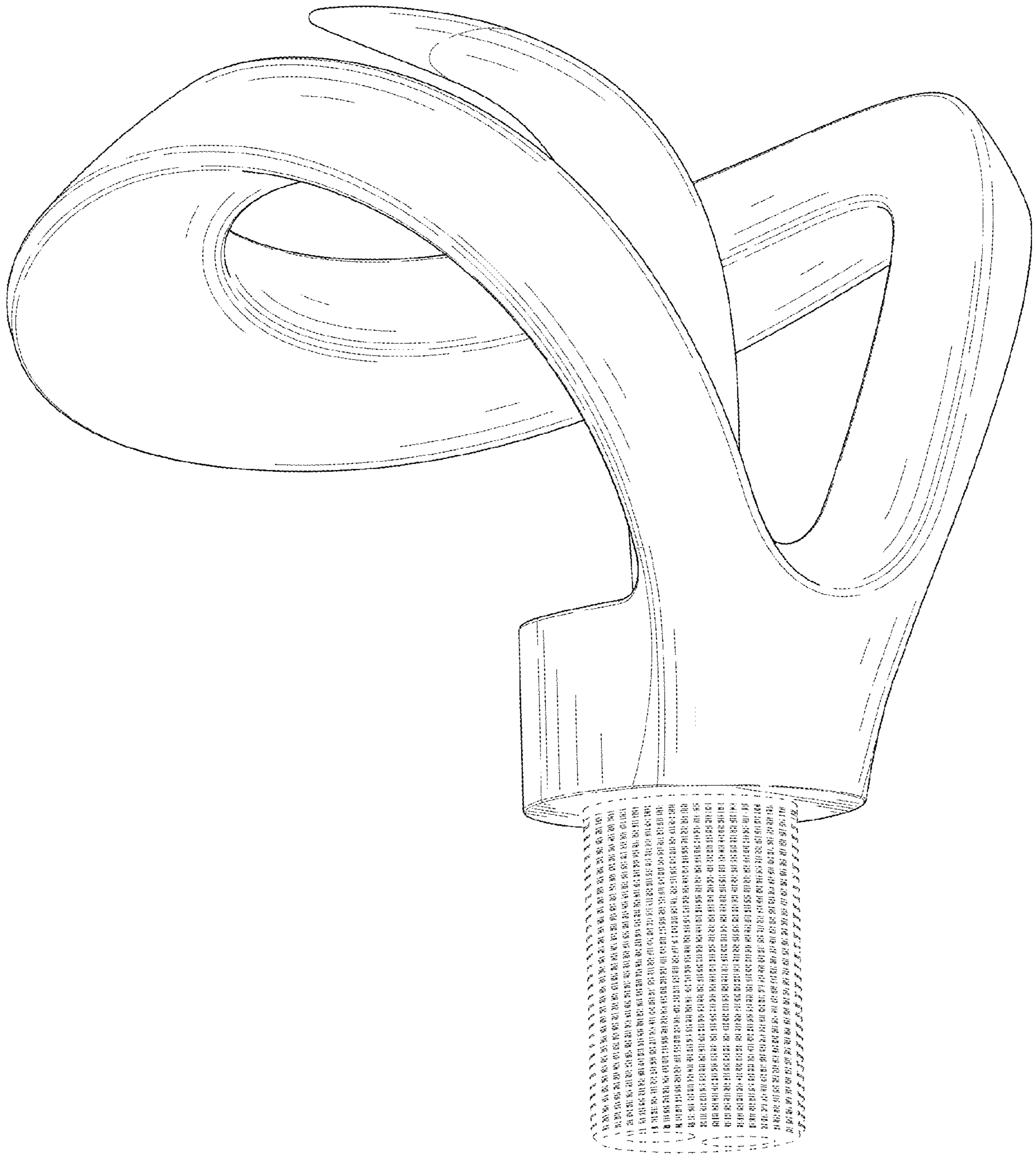


FIG. 2



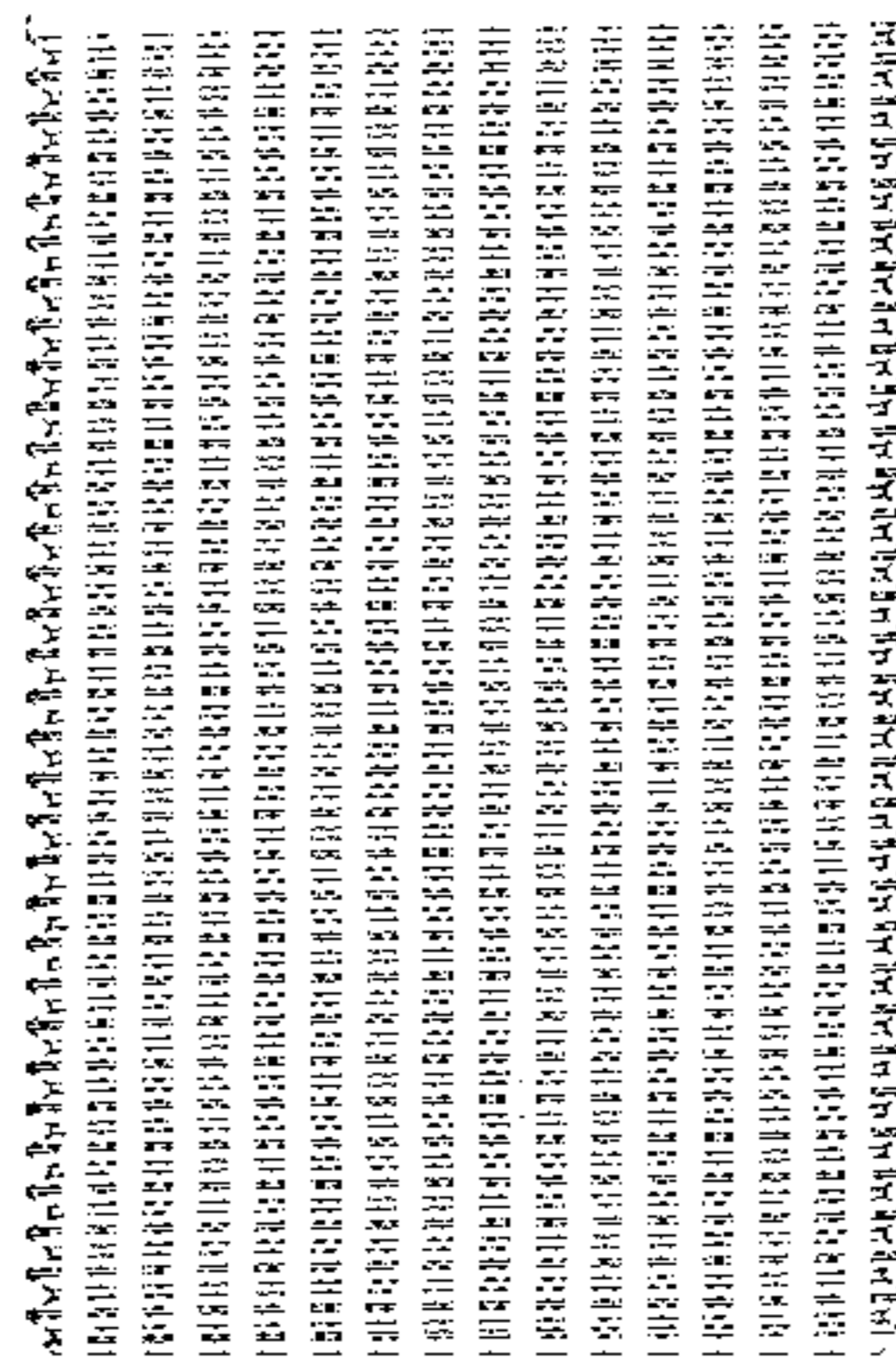
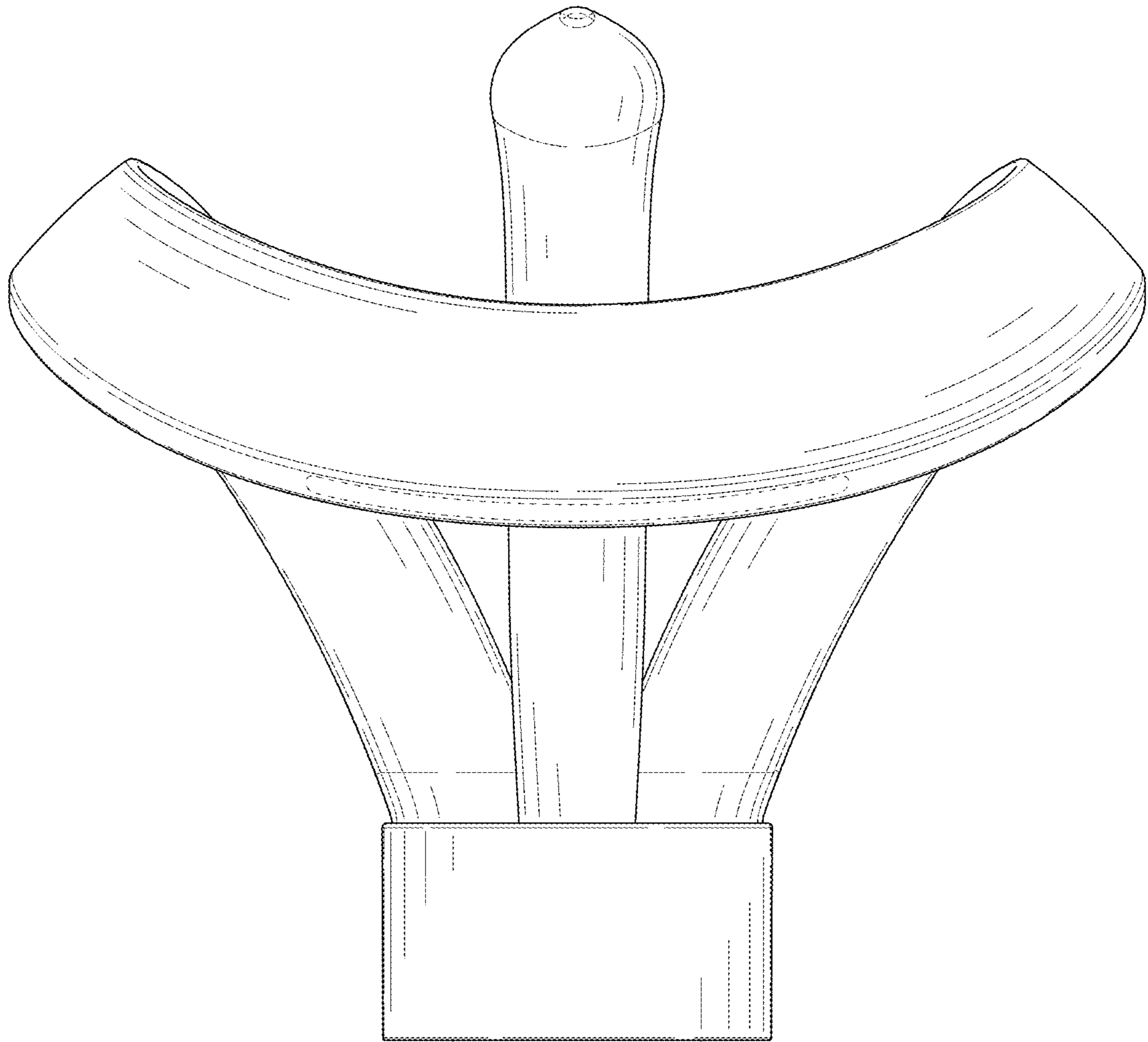


FIG. 3

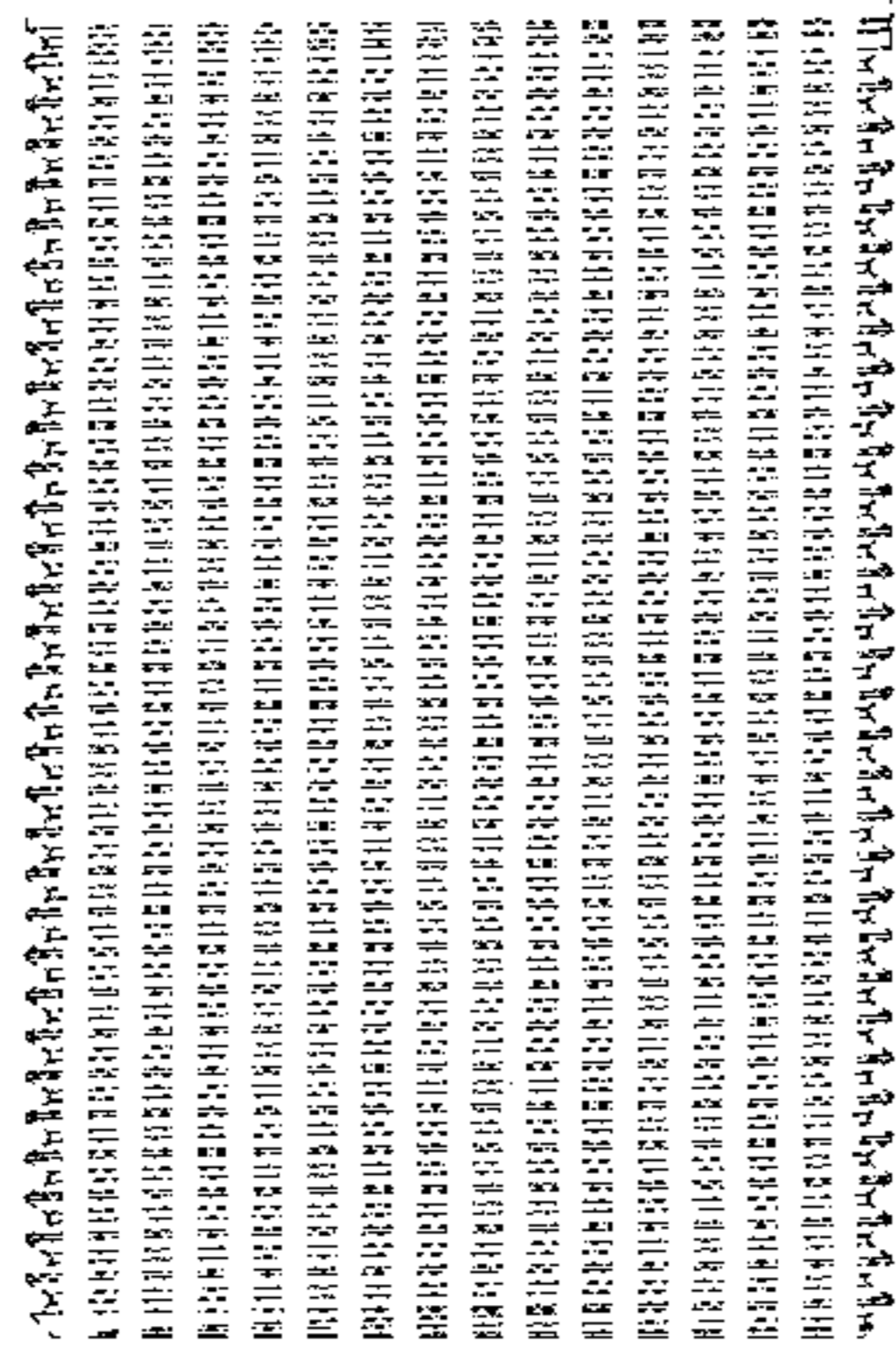
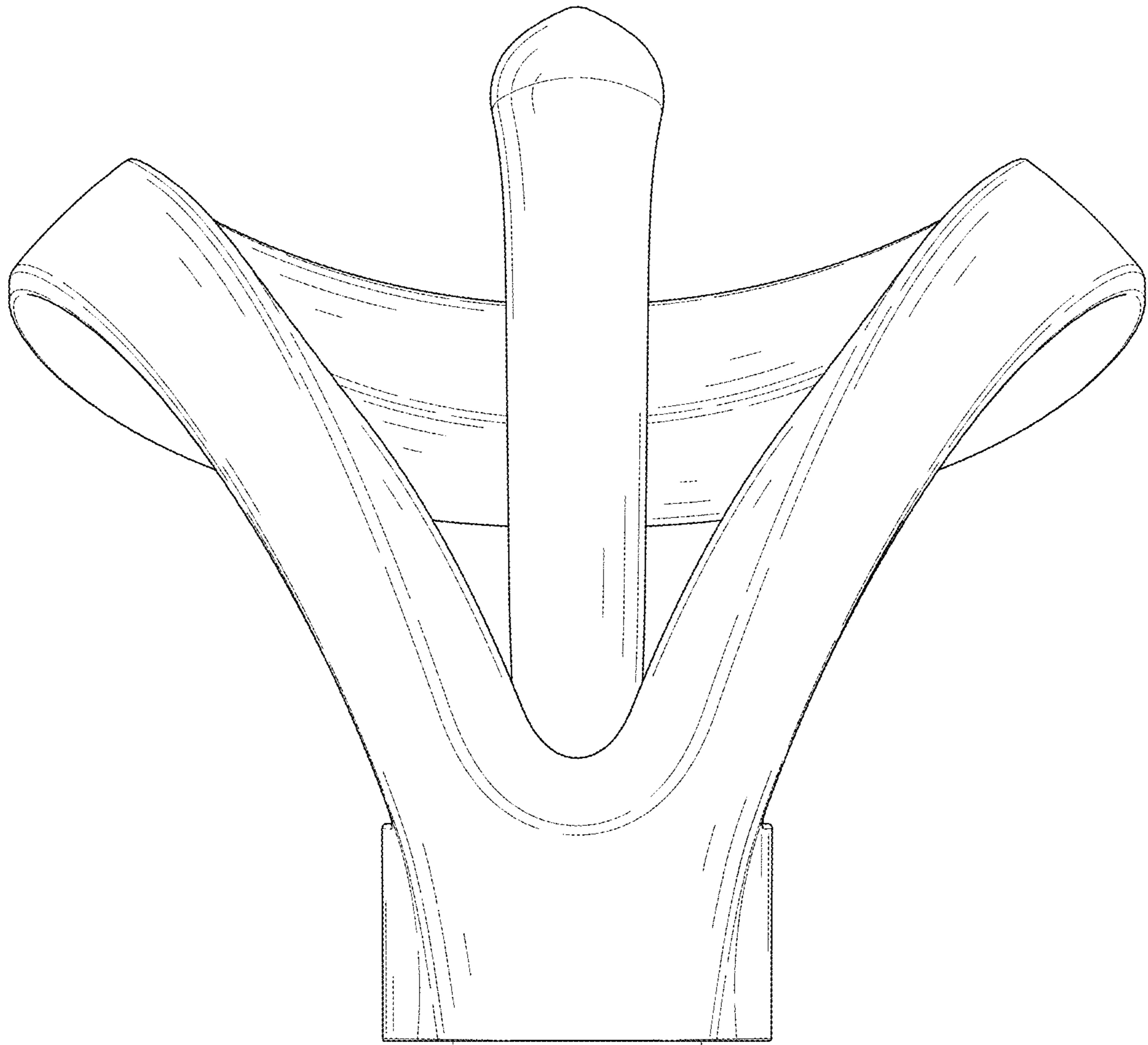


FIG. 4

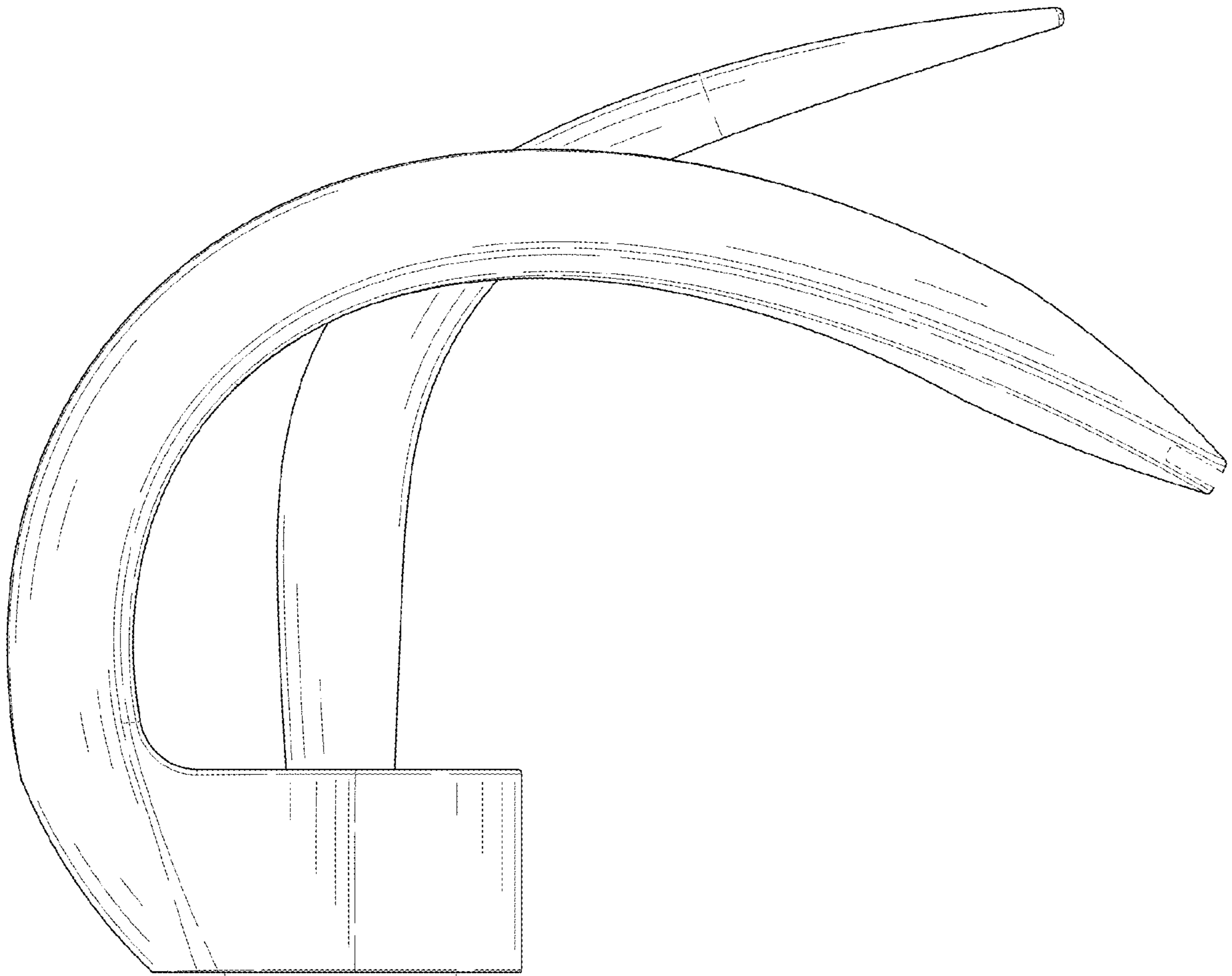


FIG. 5

FIG. 5

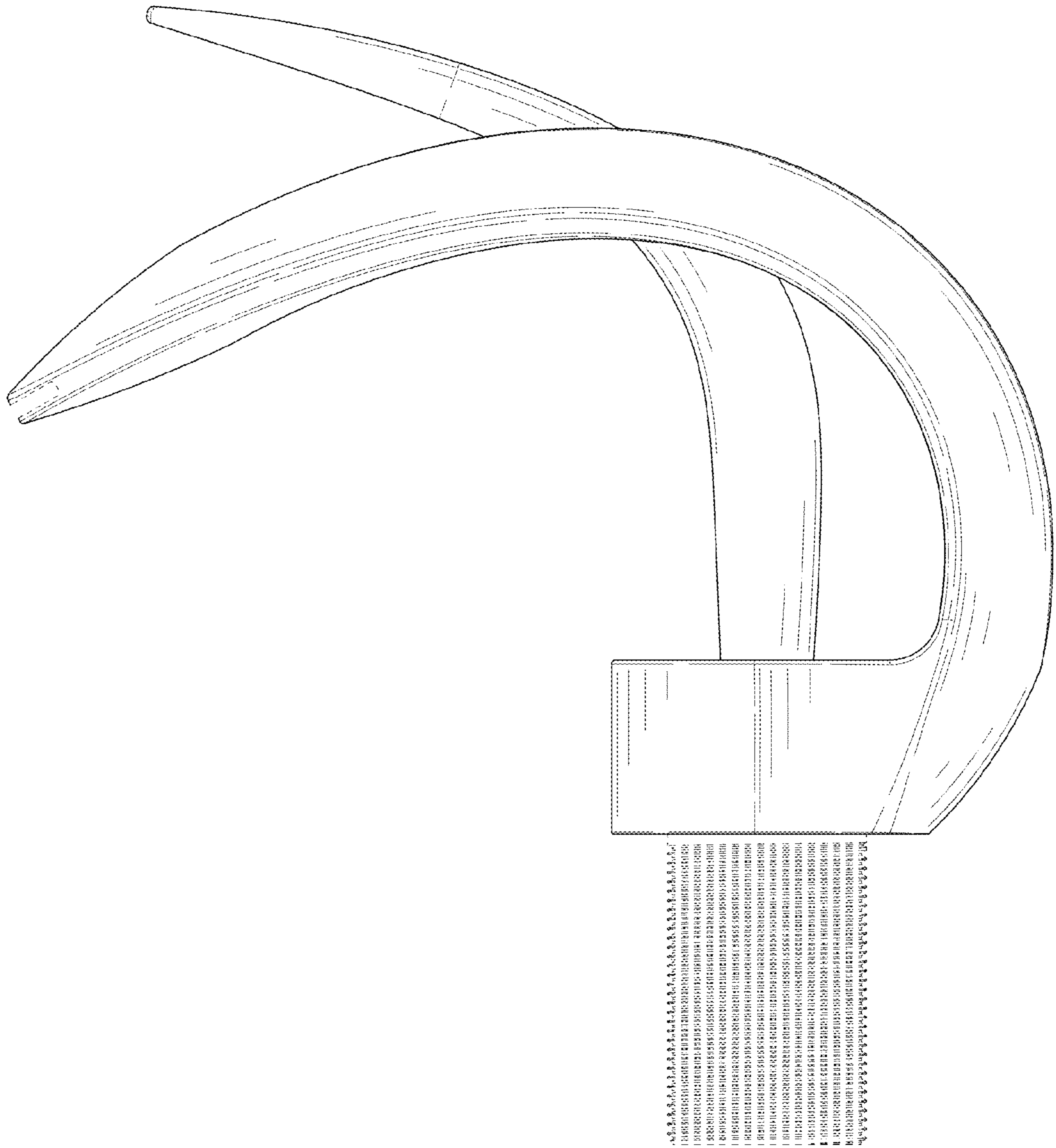


FIG. 6



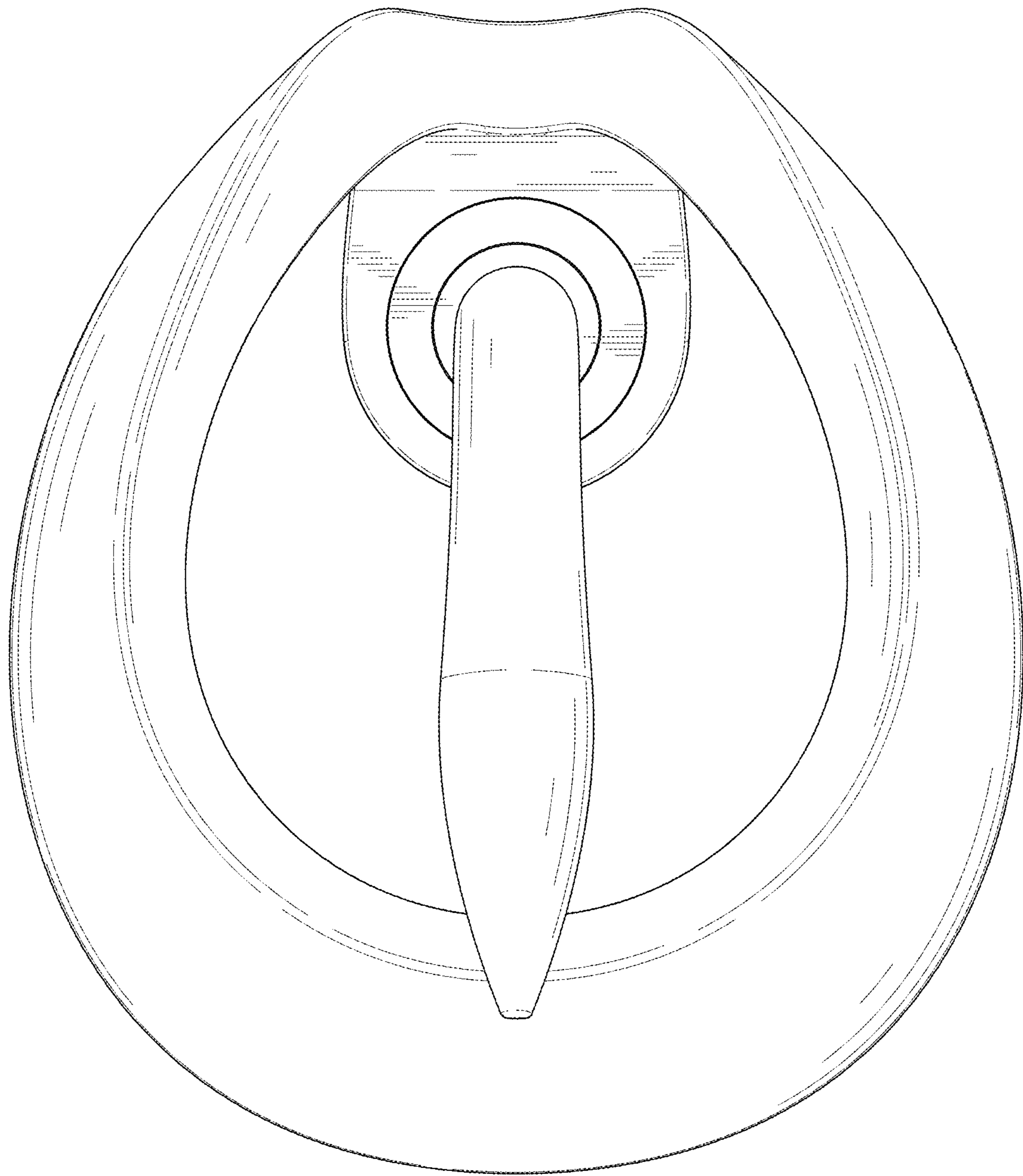


FIG. 7





FIG. 8