



US00D980950S

(12) **United States Design Patent**
Crv et al.

(10) **Patent No.: US D980,950 S**

(45) **Date of Patent: ** Mar. 14, 2023**

(54) **PRESSURE WASHER**

(71) Applicant: **Kolektor Mobility d.o.o.**, Idrija (SI)

(72) Inventors: **Matija Crv**, Idrija (SI); **Jure Marinko**, Logatec (SI); **Klemen Petric**, Idrija (SI); **Andrej Vehar**, Logatec (SI)

(**) Term: **15 Years**

(21) Appl. No.: **35/512,948**

(22) Filed: **May 18, 2021**

(80) **Hague Agreement Data**

Int. Filing Date: **May 18, 2021**

Int. Reg. No.: **DM/214724**

Int. Reg. Date: **May 18, 2021**

Int. Reg. Pub. Date: **Nov. 19, 2021**

(51) **LOC (14) Cl.** **23-01**

(52) **U.S. Cl.**
USPC **D23/226**

(58) **Field of Classification Search**
USPC D23/207, 213, 214, 215, 223, 224, 225, D23/226, 229, 230
CPC A61H 9/0021; A61H 33/00; B05B 1/00; B05B 1/14; B05B 1/185; B05B 1/08; B05B 1/02; B05B 1/26; B05B 12/002; B05B 1/18; B05B 9/01

See application file for complete search history.

(56) **References Cited**

U.S. PATENT DOCUMENTS

D291,113 S *	7/1987	Bauer	D23/226
D495,400 S *	8/2004	Hopper	D23/225
D498,817 S *	11/2004	Amaduzzi	D23/226
D501,536 S *	2/2005	Amaduzzi	D23/226
D503,215 S *	3/2005	Stevens	D23/225
D518,873 S *	4/2006	Carpanese	D23/223
D519,603 S *	4/2006	Schumann	D23/225
D555,767 S *	11/2007	Carpanese	D23/226

D571,434 S *	6/2008	Renner	D23/223
D573,691 S *	7/2008	Busschaert	D23/226
D582,513 S *	12/2008	Zingoni	D23/226
D645,542 S *	9/2011	Miller	D23/225
D692,095 S *	10/2013	Hines	D23/225
D713,500 S *	9/2014	Muhl	D23/225
D729,902 S *	5/2015	Hollinger	D23/223
D753,265 S *	4/2016	Burchard	D23/226
D759,199 S *	6/2016	Wrobel	D23/225
D768,263 S *	10/2016	Laber	D23/226
D844,106 S *	3/2019	Dawson	D23/225
D857,162 S *	8/2019	Dawson	D23/225
D857,312 S *	8/2019	Chavana, Jr.	D32/17

(Continued)

OTHER PUBLICATIONS

Canpump Replacement Trigger Gun for Stainless Steel Surface Cleaner Pressure Washer, Oct. 14, 2020, amazon.com, Sep. 20, 2022, URL: <https://www.amazon.com/CANPUMP-Replacement-Trigger-Stainless-Pressure/dp/B081K51V57> (Year: 2020).*

(Continued)

Primary Examiner — Keith J Wilson

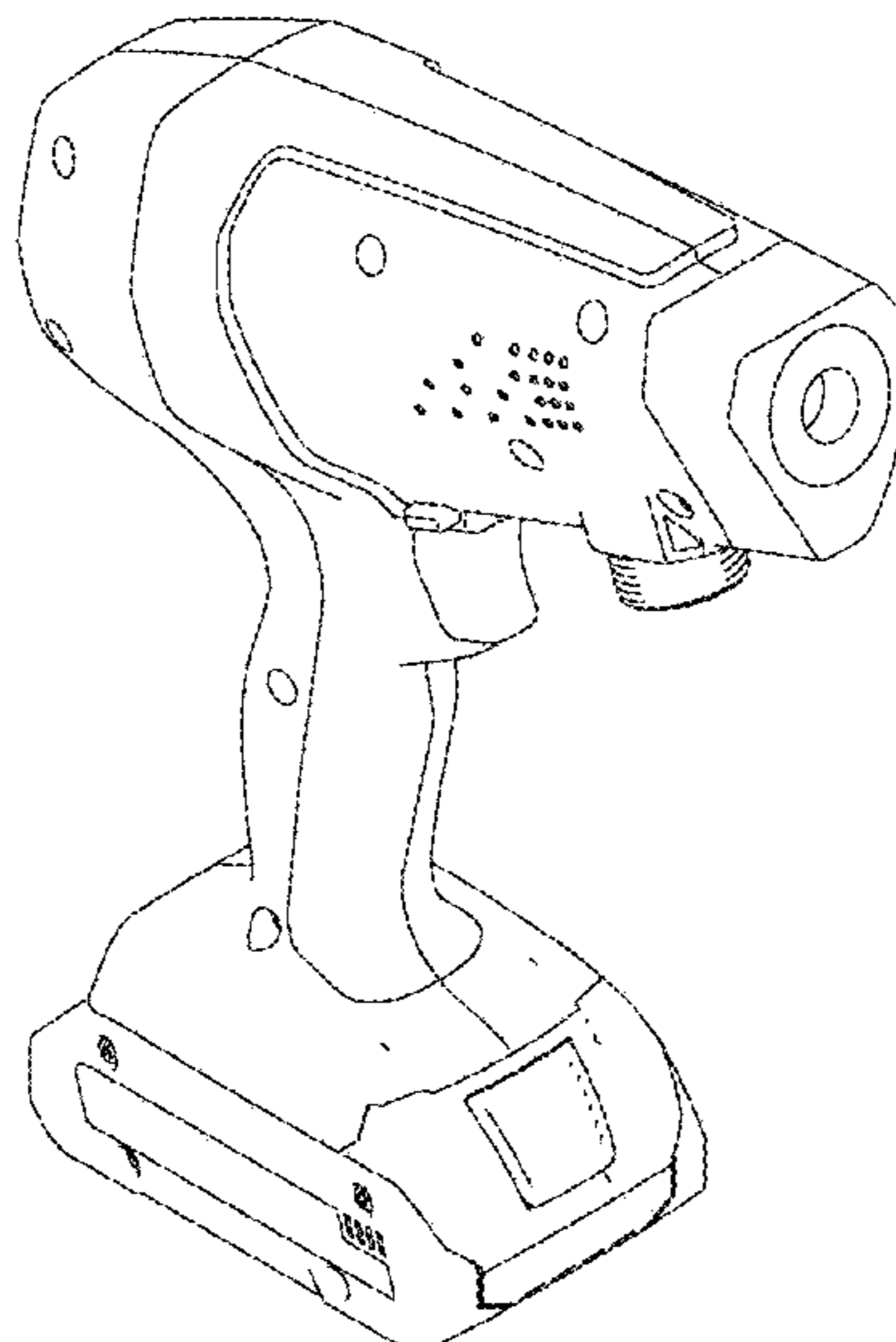
(57) **CLAIM**

The ornamental design for a pressure washer, as shown and described.

DESCRIPTION

1. Pressure washer
1.1 With regard to all four designs, the respective depiction 1.1 is a perspective view of a pressure washer.
1.2 Depiction 1.2 is a front view of the pressure washer.
1.3 Depiction 1.3 is a right view of the pressure washer.
1.4 Depiction 1.4 is a left view of the pressure washer.
1.5 Depiction 1.5 is a rear view of the pressure washer.
1.6 Depiction 1.6 is a top view of the pressure washer.
1.7 Depiction 1.7 is a bottom view of the pressure washer.
All broken lines show portions of the products which form no part of the respective claimed design.

1 Claim, 7 Drawing Sheets



(56)

References Cited

U.S. PATENT DOCUMENTS

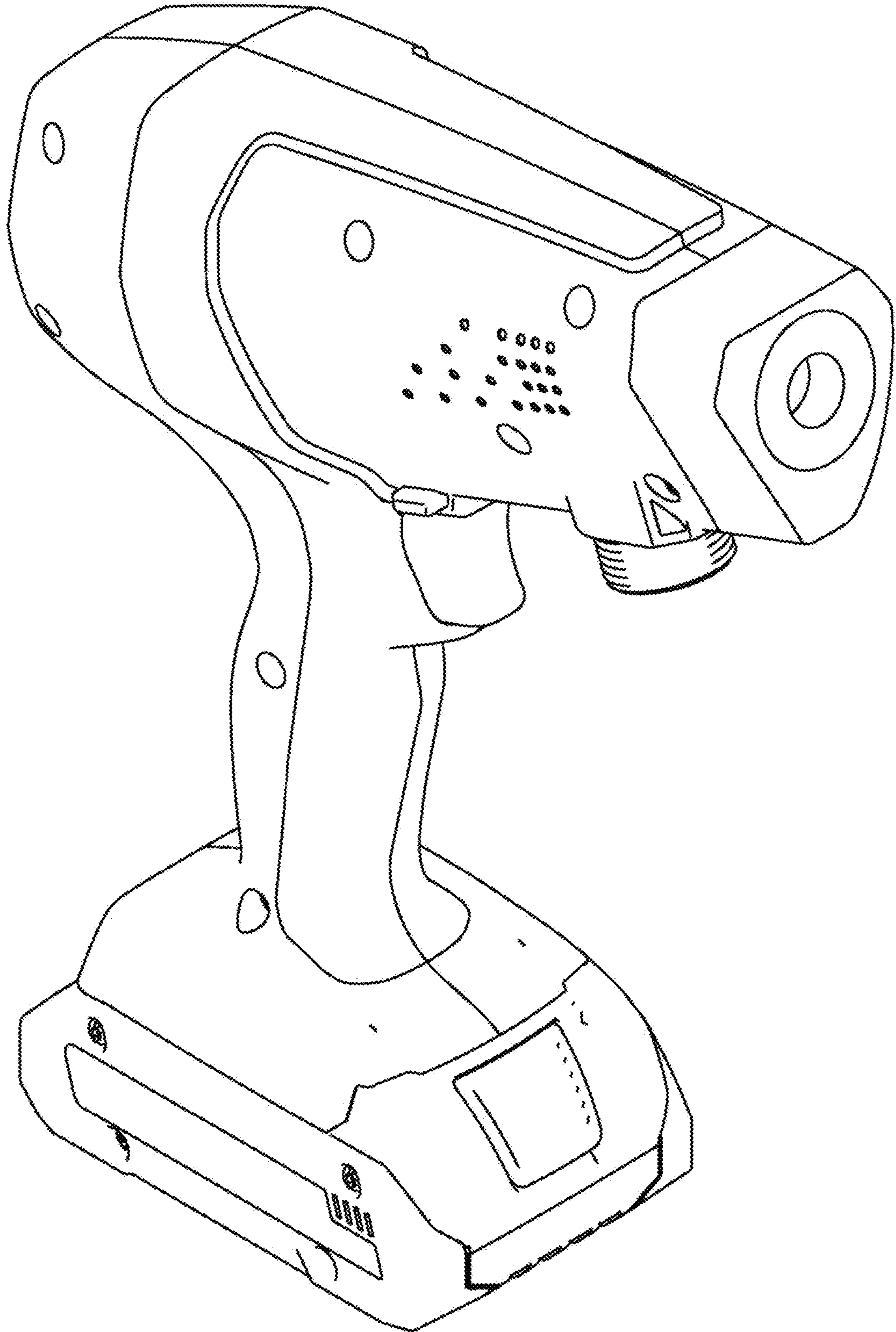
D891,382 S * 7/2020 Koppa D13/182
D905,821 S * 12/2020 Ciura D23/223
10,870,120 B2 * 12/2020 Ruda B05B 7/2435
10,913,079 B2 * 2/2021 Wenzel B05B 1/34
2020/0338578 A1 * 10/2020 Hanson B05B 7/1245

OTHER PUBLICATIONS

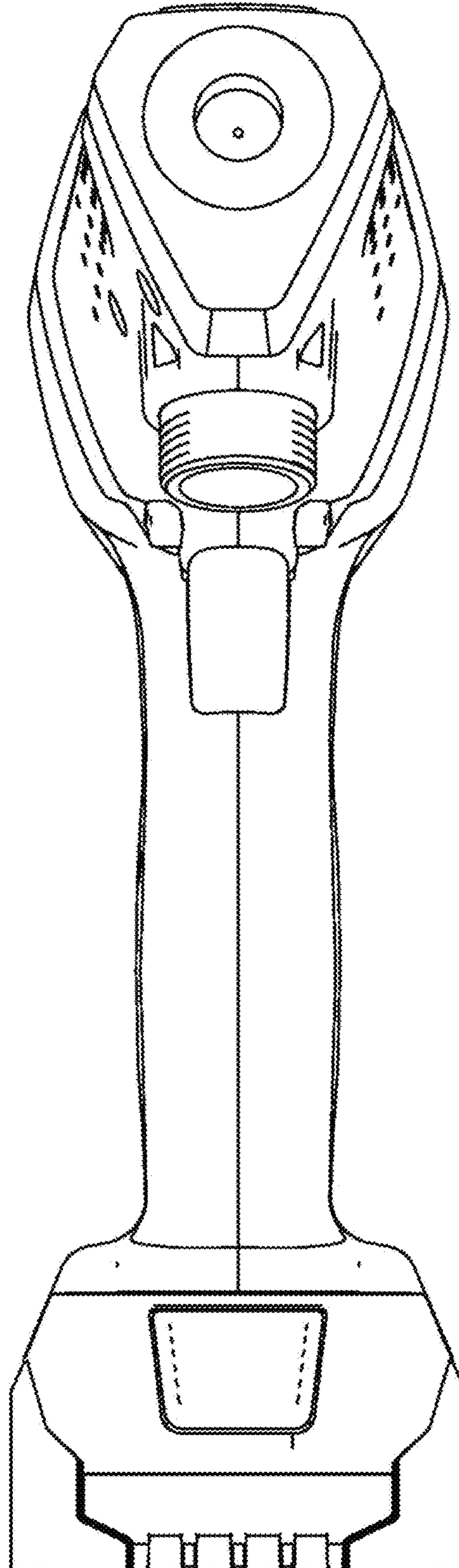
Stone Banks High Pressure Washer Gun, Dec. 19, 2020, amazon.com, Sep. 20, 2022, URL: <https://www.amazon.co.uk/StoneBanks-Pressure-Nozzles-Cleaning-Connector/dp/B08R1J6GGB/> (Year: 2020).*

* cited by examiner

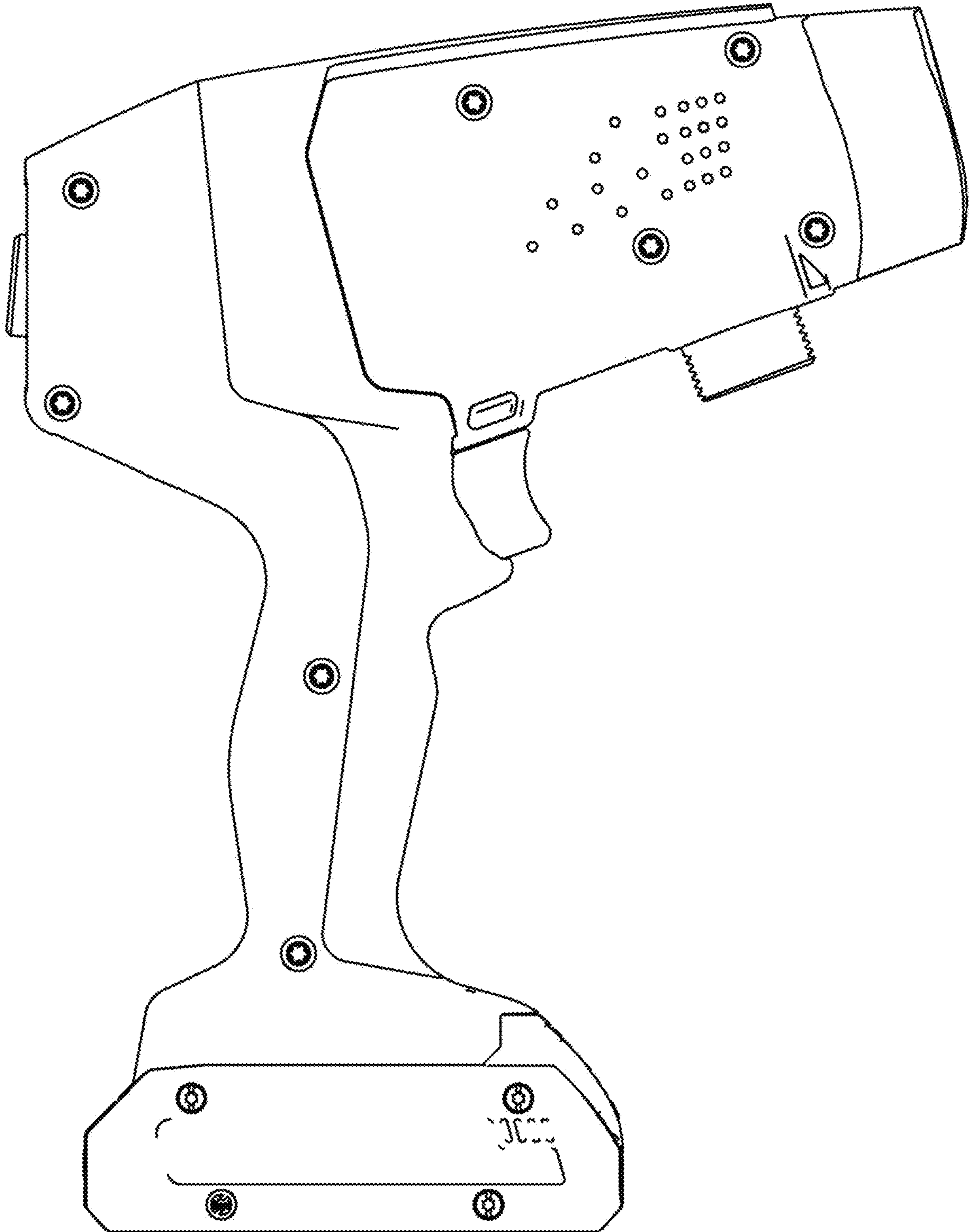
1.1



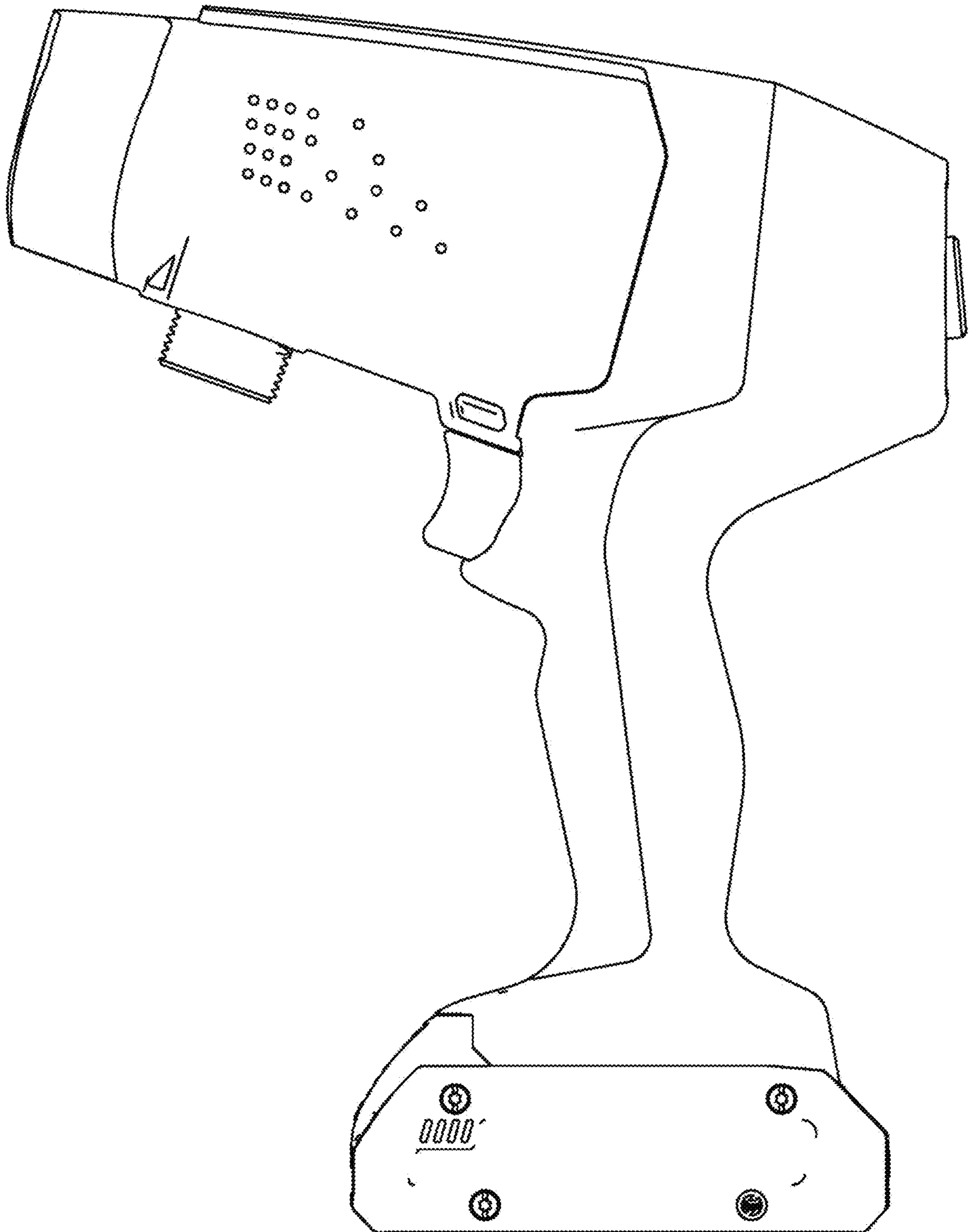
1.2



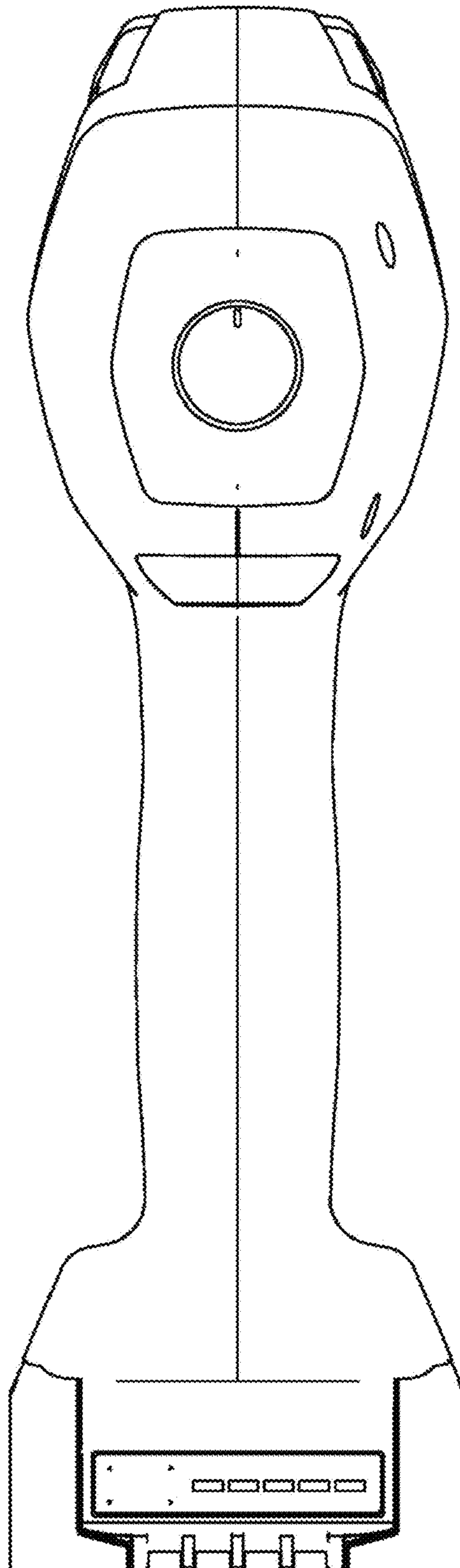
1.3



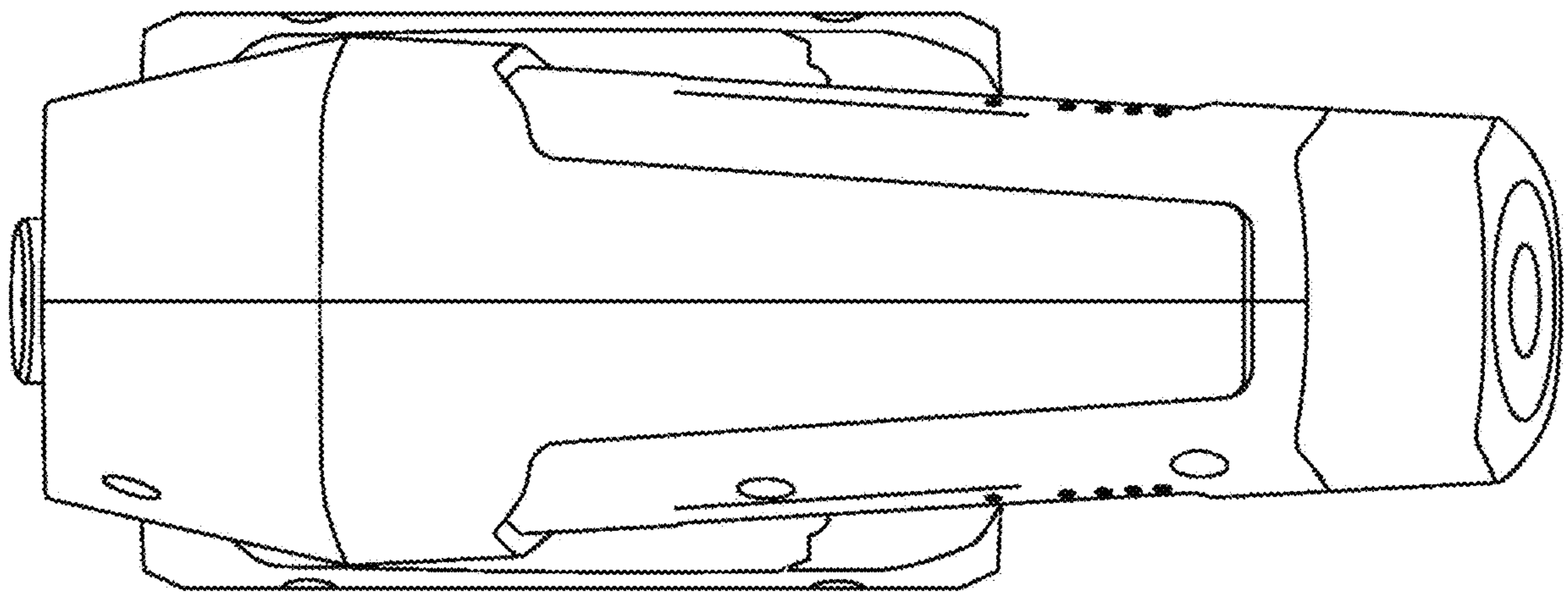
1.4



1.5



1.6



1.7

