



US00D980949S

(12) **United States Design Patent**
Schneider

(10) **Patent No.:** **US D980,949 S**

(45) **Date of Patent:** **** Mar. 14, 2023**

(54) **FOAM SPRAYER**

(71) Applicant: **SMART, INC.**, Gardena, CA (US)

(72) Inventor: **Paul Schneider**, Gardena, CA (US)

(73) Assignee: **SMART, LLC**, Gardena, CA (US)

(**) Term: **15 Years**

(21) Appl. No.: **29/763,479**

(22) Filed: **Dec. 22, 2020**

(51) **LOC (14) Cl.** **23-01**

(52) **U.S. Cl.**
USPC **D23/225**

(58) **Field of Classification Search**
USPC D23/213, 223, 225, 226
CPC B05B 1/16; B05B 1/1618; B05B 7/0018;
B05B 7/02; B05B 7/24; B05B 7/2408;
B05B 7/2478; B05B 9/01; B05B 9/0894;
B05B 12/002

See application file for complete search history.

(56) **References Cited**

U.S. PATENT DOCUMENTS

3,770,205	A	*	11/1973	Proctor	B01F 25/316
						239/317
D235,063	S	*	5/1975	Gunzel	D23/225
D298,848	S	*	12/1988	Chow	D23/213
D300,453	S	*	3/1989	Proctor	D23/223
D322,838	S	*	12/1991	Hagedorn	D23/225
D368,129	S	*	3/1996	Peeples	D23/225
D431,068	S	*	9/2000	Beaver	D23/213
D432,208	S	*	10/2000	Beaver	D23/225
D559,350	S	*	1/2008	Huang	D23/213
D709,988	S	*	7/2014	Ford	D23/213
D761,937	S	*	7/2016	Popek	D23/225
D774,163	S	*	12/2016	Solakian	D23/263
D821,541	S	*	6/2018	McDonnell	D23/213
D825,030	S	*	8/2018	McDonnell	D23/213
D827,773	S	*	9/2018	Schneider	D23/225

D827,775	S	*	9/2018	Schneider	D23/225
D827,776	S	*	9/2018	Schneider	D23/225
D856,480	S	*	8/2019	Andrews	D23/233
D937,386	S	*	11/2021	Thompson	D23/225
D942,722	S	*	2/2022	Lin	D32/25
D944,924	S	*	3/2022	McDonnell	D23/226
2003/0192964	A1	*	10/2003	Foster	B05B 7/2443
						239/525

(Continued)

OTHER PUBLICATIONS

Chemical Guys EQP324 Big Mouth, Apr. 1, 2021, Amazon, site visited Mar. 21, 2022: <https://www.amazon.com/dp/B091KLW5Y8/> (Year: 2021).*

(Continued)

Primary Examiner — Eric L Goodman
Assistant Examiner — Bobby W Jones, II
(74) *Attorney, Agent, or Firm* — Orbit IP, LLP

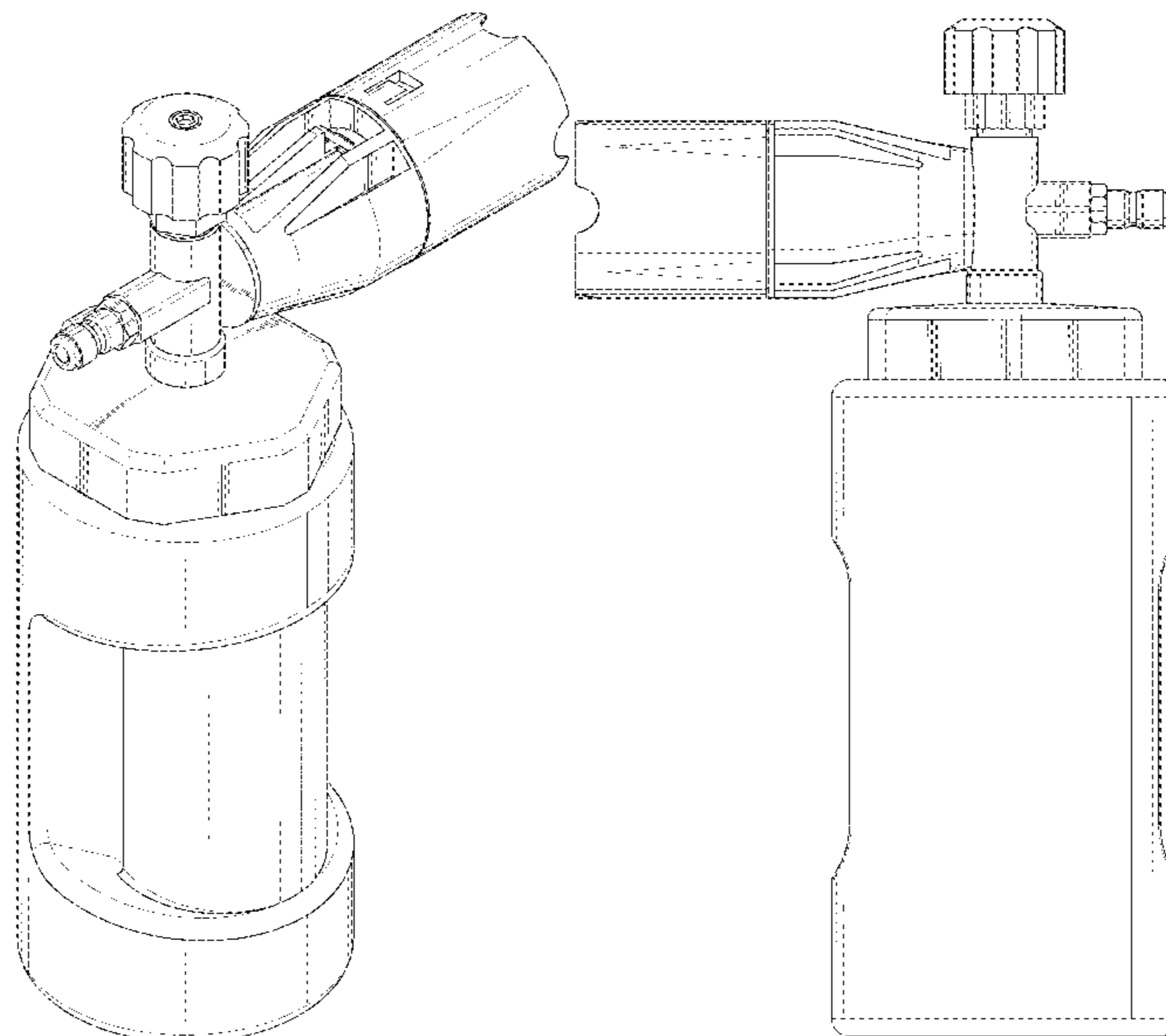
(57) **CLAIM**

The ornamental design for a foam sprayer, as shown and described.

DESCRIPTION

FIG. 1 is a rear perspective view of a foam sprayer showing my new design;
FIG. 2 is a top plan view thereof;
FIG. 3 is a bottom plan view thereof;
FIG. 4 is a right-side elevation view thereof;
FIG. 5 is a left-side elevation view thereof;
FIG. 6 is a back elevation view thereof; and,
FIG. 7 is a front elevation view thereof.
All surfaces and all sides not shown form no part of the claimed design.
The broken line showing of a foam sprayer is include for the purpose of illustrating portions of the article and forms no part of the claimed design.

1 Claim, 7 Drawing Sheets



(56)

References Cited

U.S. PATENT DOCUMENTS

2009/0224072 A1* 9/2009 Clarke B05B 7/2408
239/581.1
2010/0025437 A1* 2/2010 Oshimo B65D 83/24
222/402.15
2017/0216858 A1* 8/2017 McBride, Jr. B05B 11/00
2018/0250694 A1* 9/2018 McDonnell B05B 12/1409

OTHER PUBLICATIONS

Dusichin DUS-218 Foam Cannon, Sep. 6, 2020, Amazon, site visited Mar. 21, 2022: <https://www.amazon.com/dp/B0893Z6GYW/> (Year: 2020).*

Takavu Foam Cannon, Dec. 4, 2019, Amazon, site visited Mar. 21, 2022: <https://www.amazon.com/dp/B082B2N6GS/> (Year: 2019).*

Adams Premium Foam Cannon, Nov. 7, 2020, Amazon, site visited Mar. 21, 2022: <https://www.amazon.ca/dp/B08LFMY1DM/> (Year: 2020).*

* cited by examiner

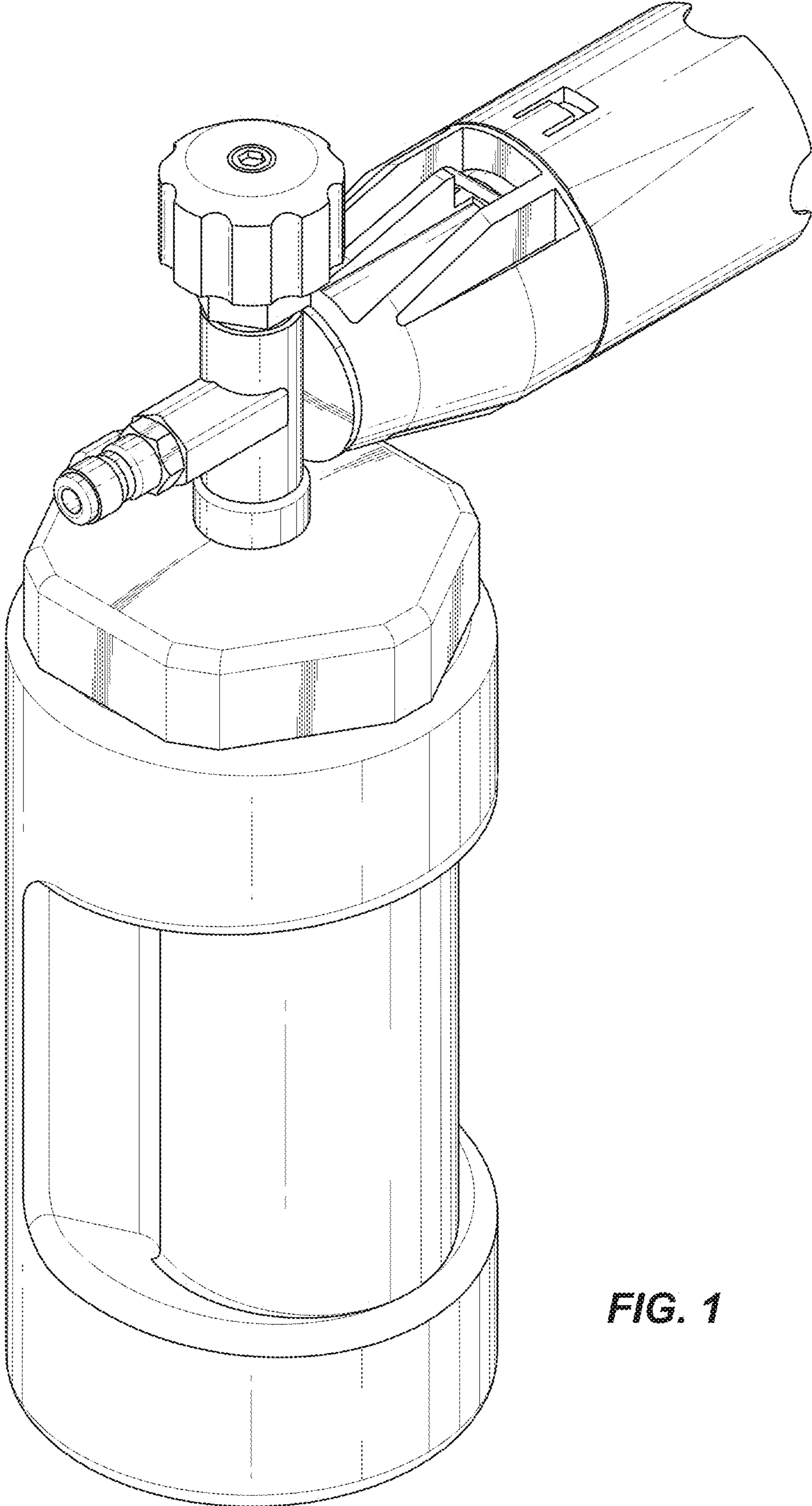


FIG. 1

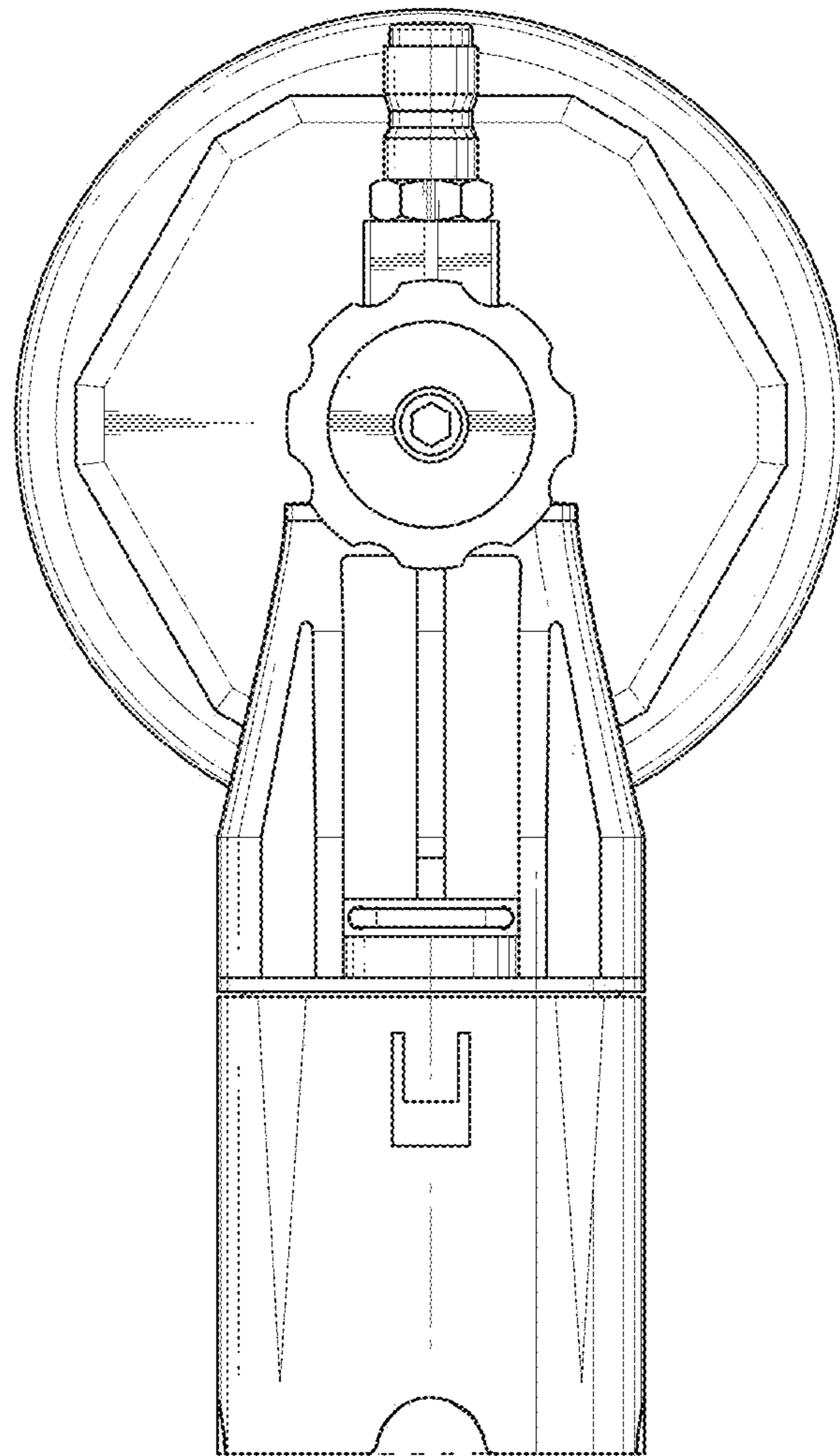


FIG. 2

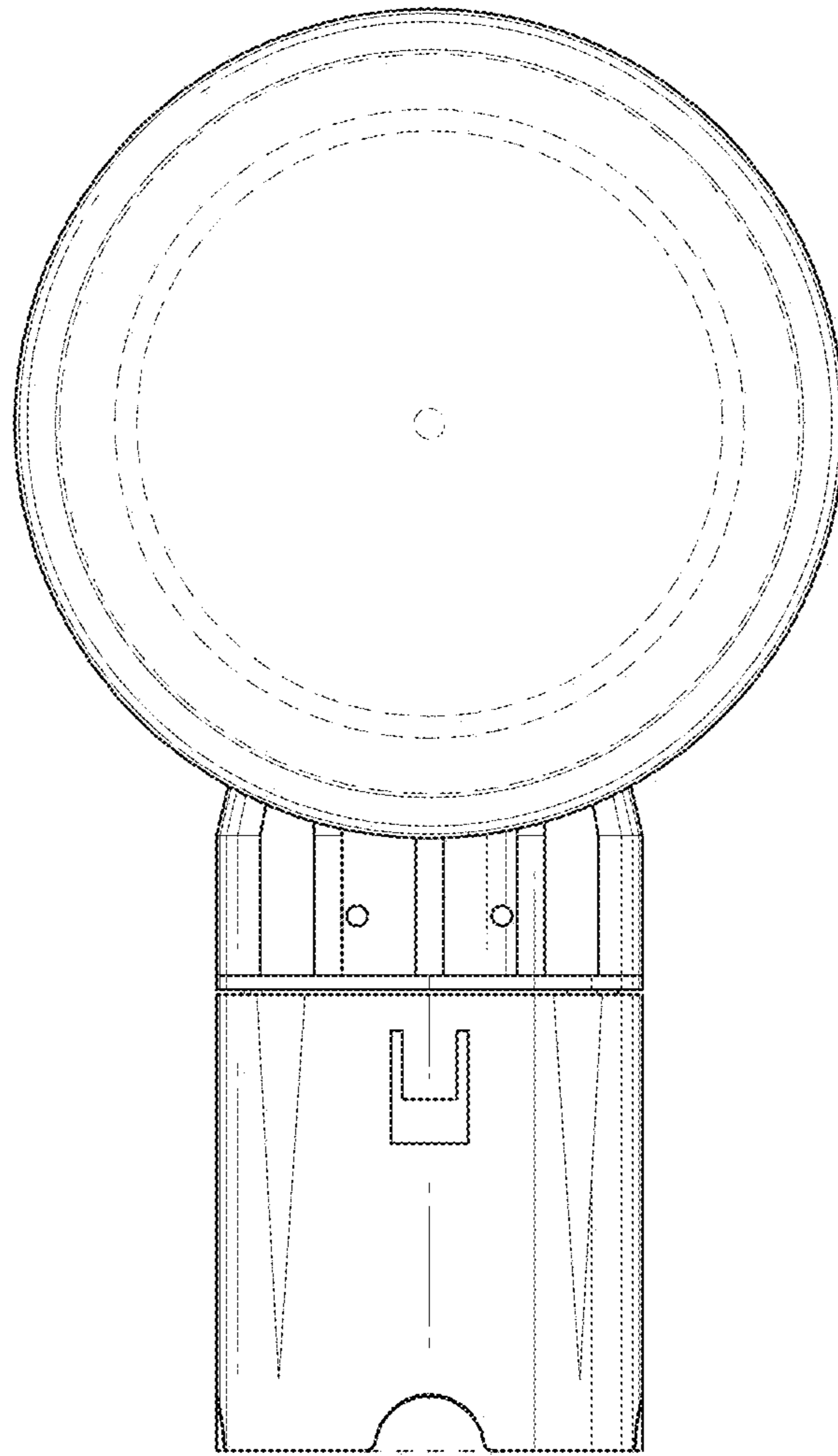


FIG. 3

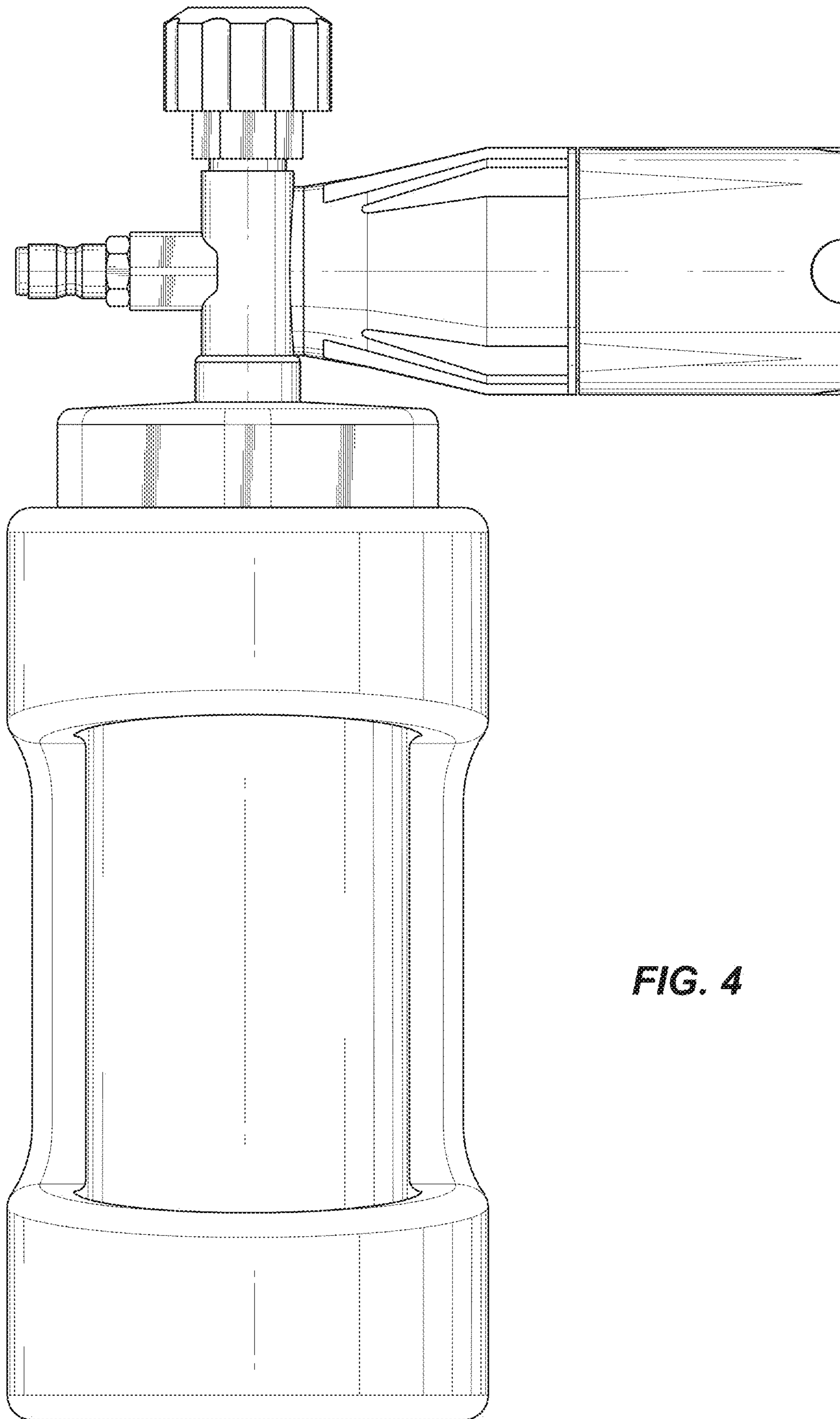


FIG. 4

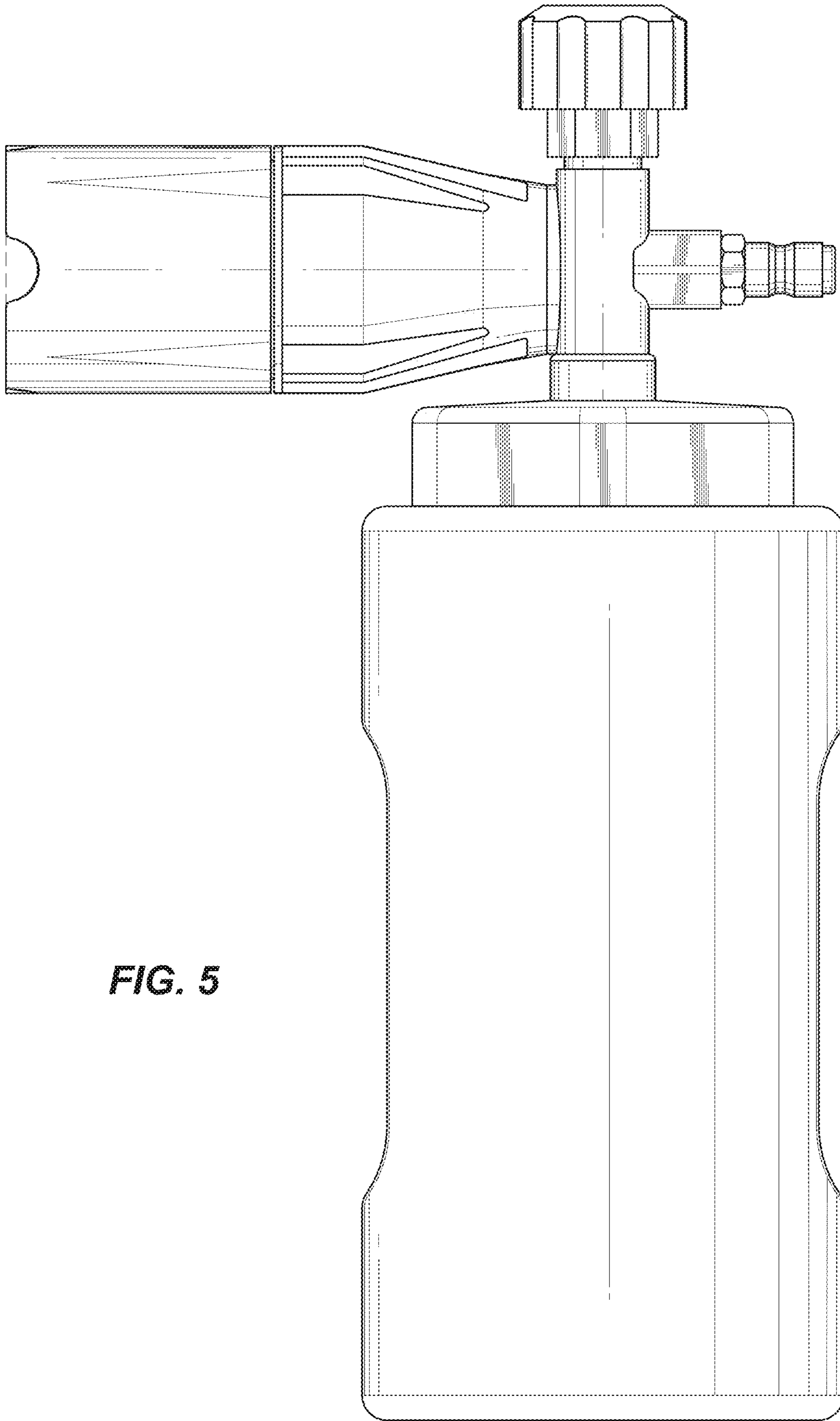


FIG. 5

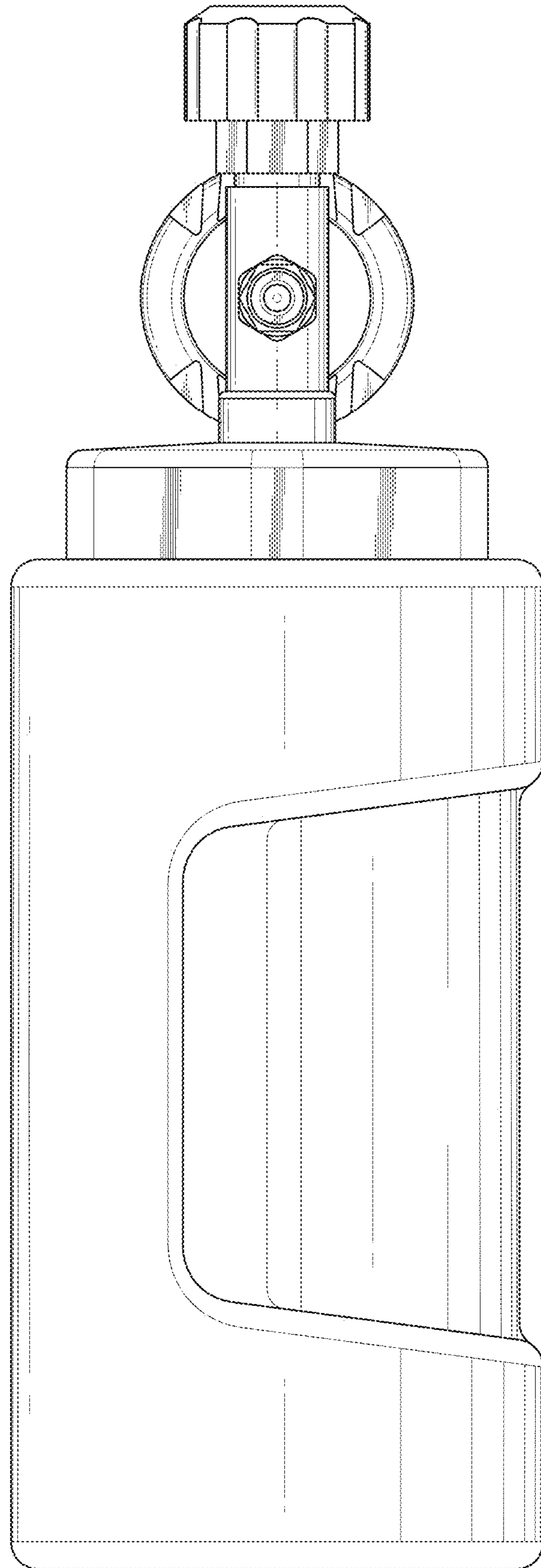


FIG. 6

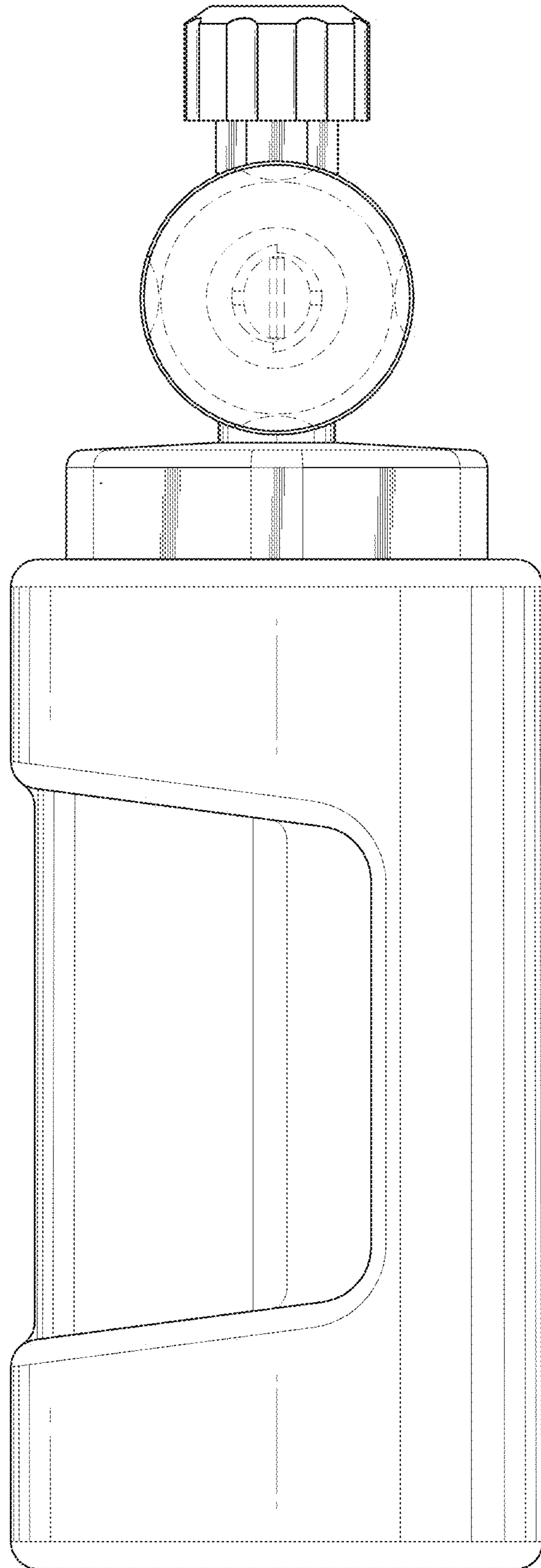


FIG. 7