



US00D980947S

(12) **United States Design Patent** (10) **Patent No.:** **US D980,947 S**
Kim (45) **Date of Patent:** **** Mar. 14, 2023**

(54) CERAMIC HEATER	8,590,806 B2 * 11/2013 Drechsel B05B 3/0486 239/222.17
(71) Applicant: Jung Gyu Kim , Seoul (KR)	9,511,383 B2 * 12/2016 Drechsel B05B 3/008 D882,039 S * 4/2020 Sesser D23/214
(72) Inventor: Sung Woo Kim , Goyang-si (KR)	D882,040 S * 4/2020 Sesser D23/214 D882,041 S * 4/2020 Sesser D23/214 D882,042 S * 4/2020 Sesser D23/214
(73) Assignee: Jung Gyu Kim , Seoul (KR)	D889,601 S * 7/2020 Sesser D23/214 2006/0108445 A1 * 5/2006 Pinch B05B 3/0486 239/222.21
(**) Term: 15 Years	2006/0249594 A1 * 11/2006 Pinch B05B 3/0486 239/222.21
(21) Appl. No.: 29/776,638	2011/0198420 A1 * 8/2011 Lawyer B05B 7/0425 239/589
(22) Filed: Mar. 31, 2021	2017/0333924 A1 * 11/2017 Sesser B05B 1/3026 2019/0054481 A1 * 2/2019 Sesser B05B 3/0486

(30) **Foreign Application Priority Data**

Oct. 26, 2020 (KR) 30-2020-0051099

(51) **LOC (14) Cl.** **23-01**

(52) **U.S. Cl.**
USPC **D23/214**

(58) **Field of Classification Search**
USPC D23/213–215, 223, 224, 225, 226, 229,
D23/230

CPC A61H 9/0021; A61H 33/00; B05B 1/00;
B05B 1/14; B05B 1/185; B05B 1/08;
B05B 1/02; B05B 1/26; B05B 12/002;
B05B 1/18; B05B 9/01

See application file for complete search history.

(56) **References Cited**

U.S. PATENT DOCUMENTS

D253,364 S *	11/1979	McFadden	239/222.21
D260,169 S *	8/1981	Vikre	D23/214
6,899,287 B2 *	5/2005	Pinch	B05B 3/005 239/214.13
D567,329 S *	4/2008	Holmes	D23/214

* cited by examiner

Primary Examiner — Keith J Wilson

(74) *Attorney, Agent, or Firm* — Sughrue Mion, PLLC

(57) **CLAIM**

The ornamental design for a ceramic heater, as shown and described.

DESCRIPTION

FIG. 1 is a perspective view of the overall shape of a ceramic heater showing my new design, FIG. 2 is a front view thereof, FIG. 3 is a rear view thereof, FIG. 4 is a left side view thereof, FIG. 5 is a right side view thereof, FIG. 6 is a top plan view thereof, FIG. 7 is a bottom plan view thereof; and, FIG. 8 is a reference view thereof, showing the state of use.

1 Claim, 8 Drawing Sheets

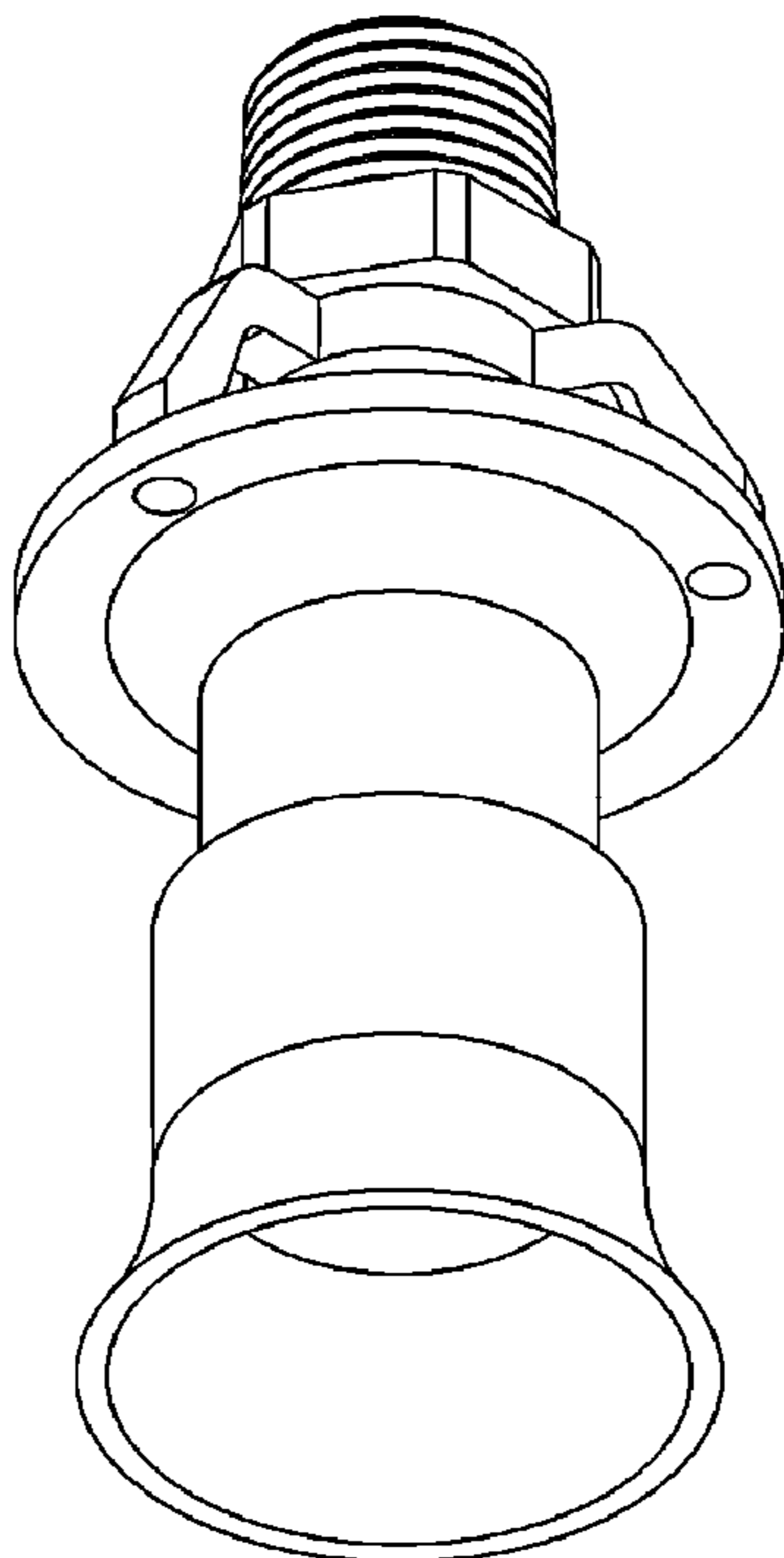


FIG. 1

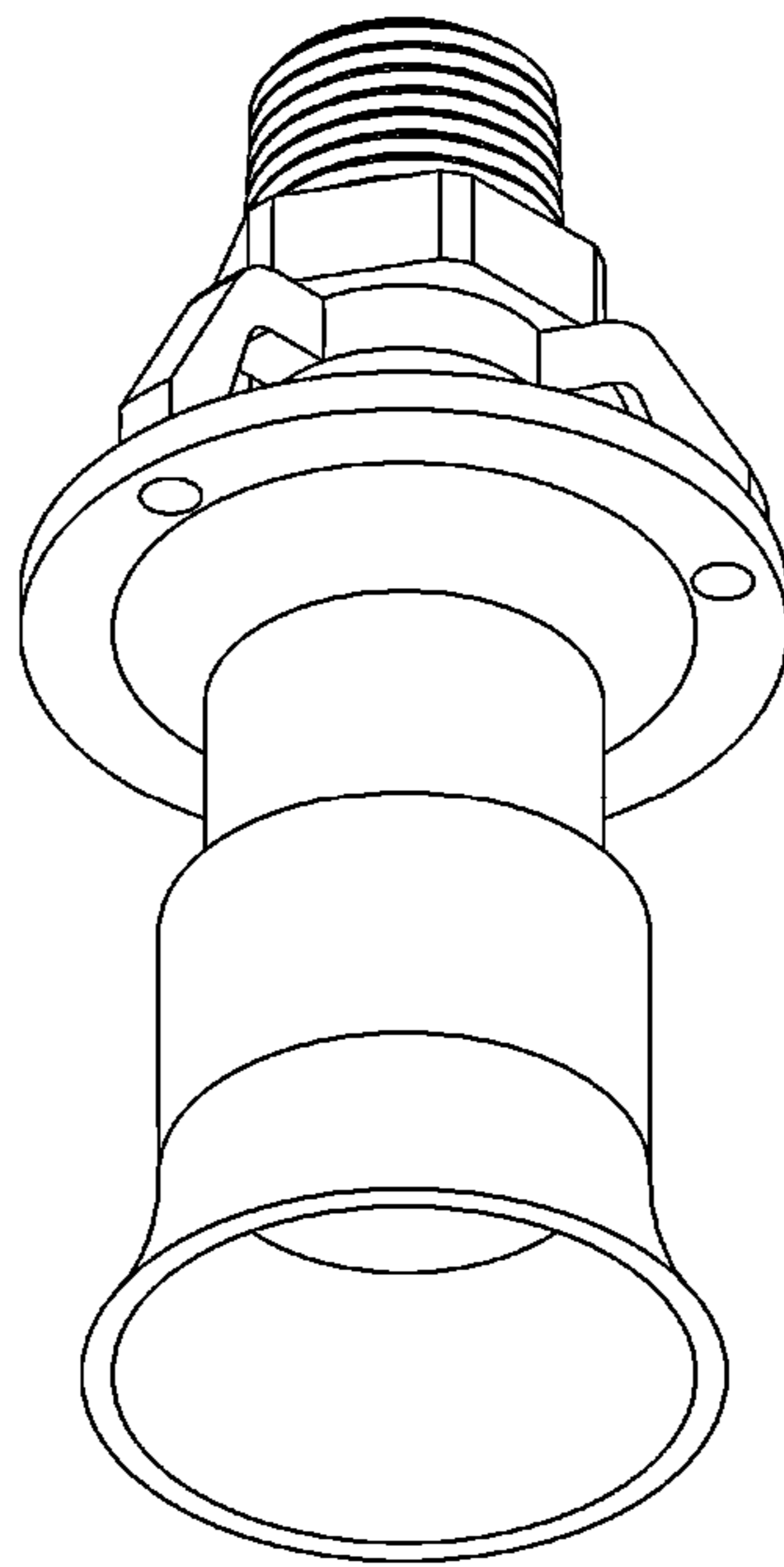


FIG. 2

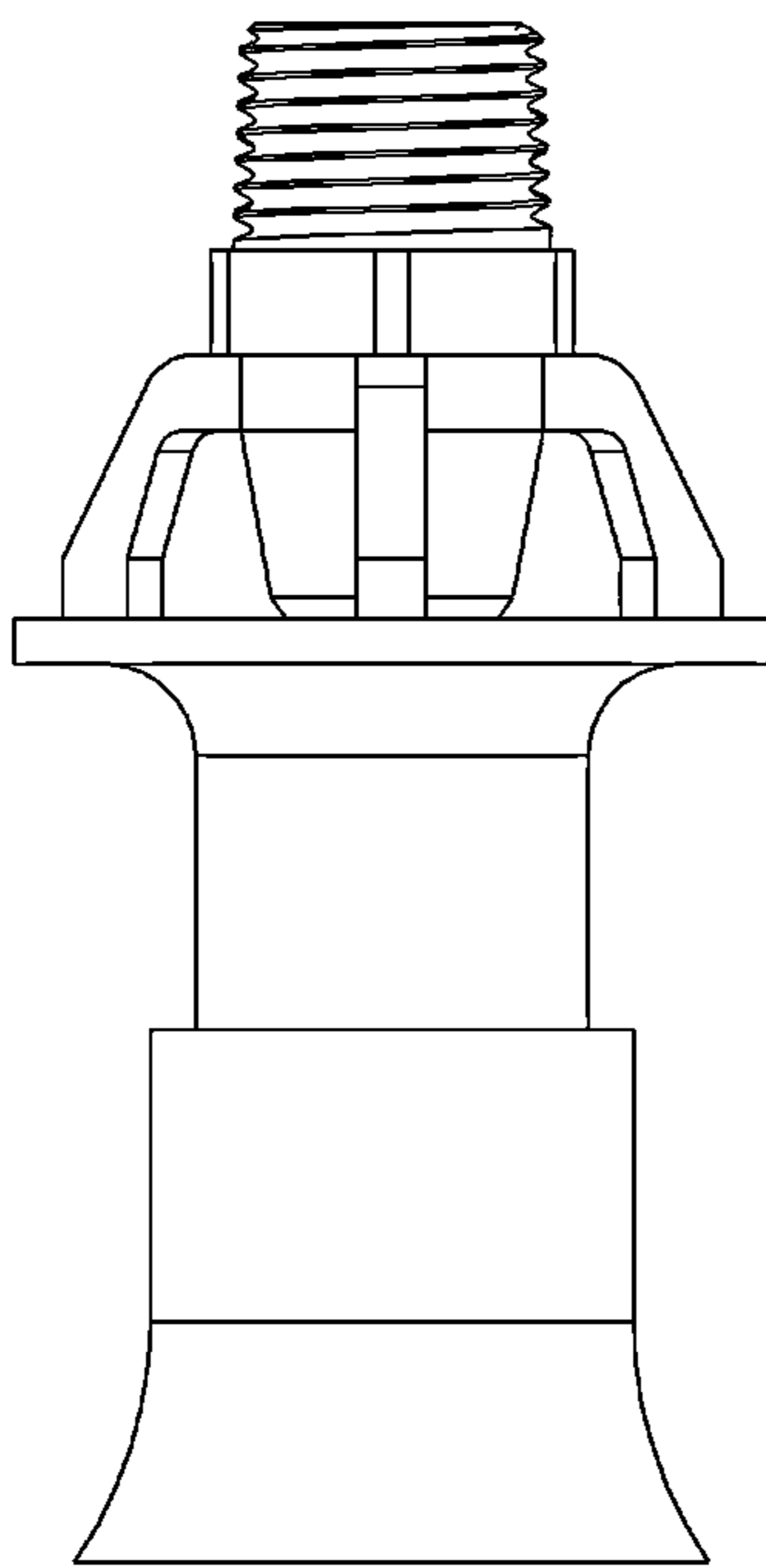


FIG. 3

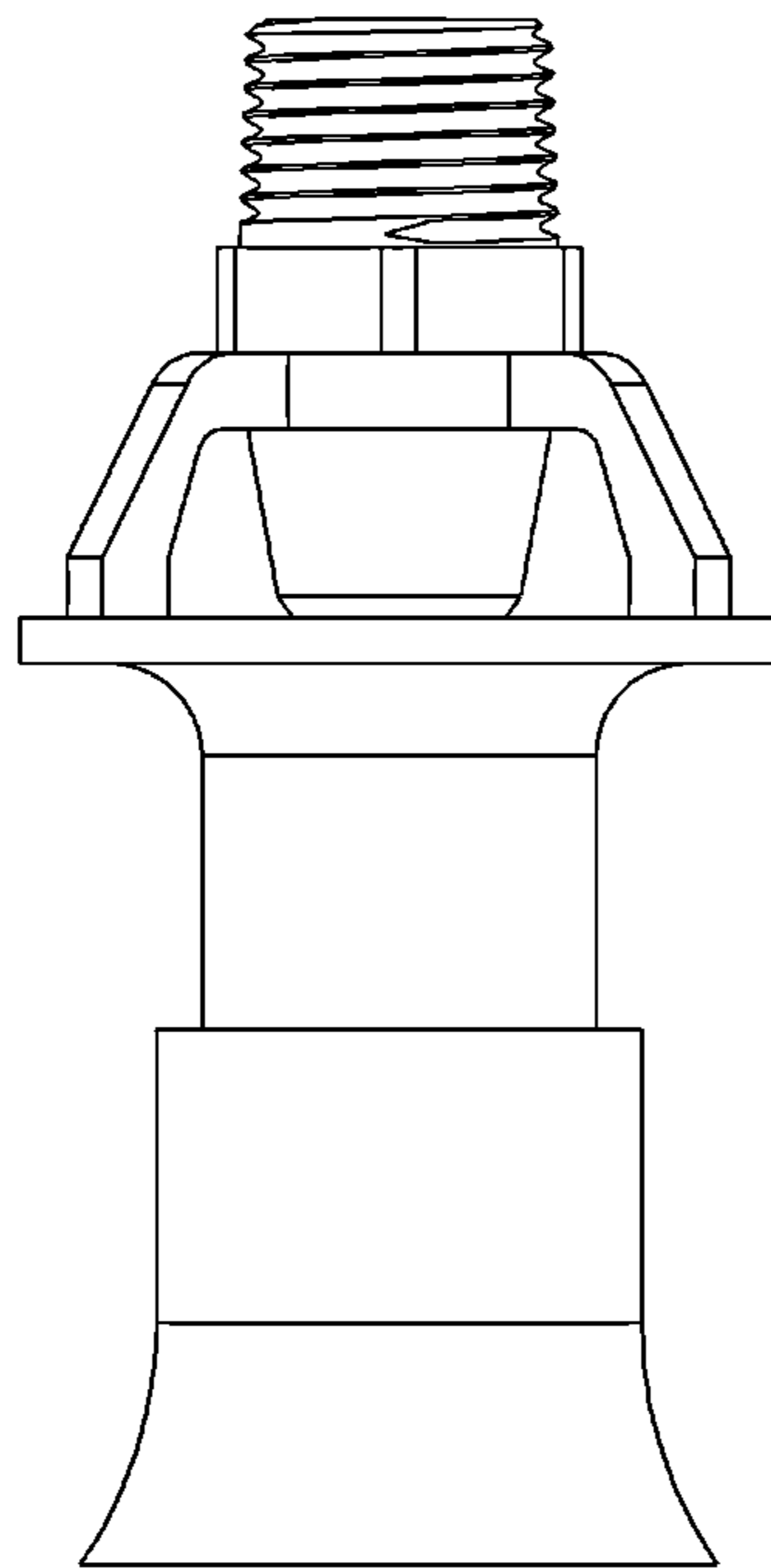


FIG. 4

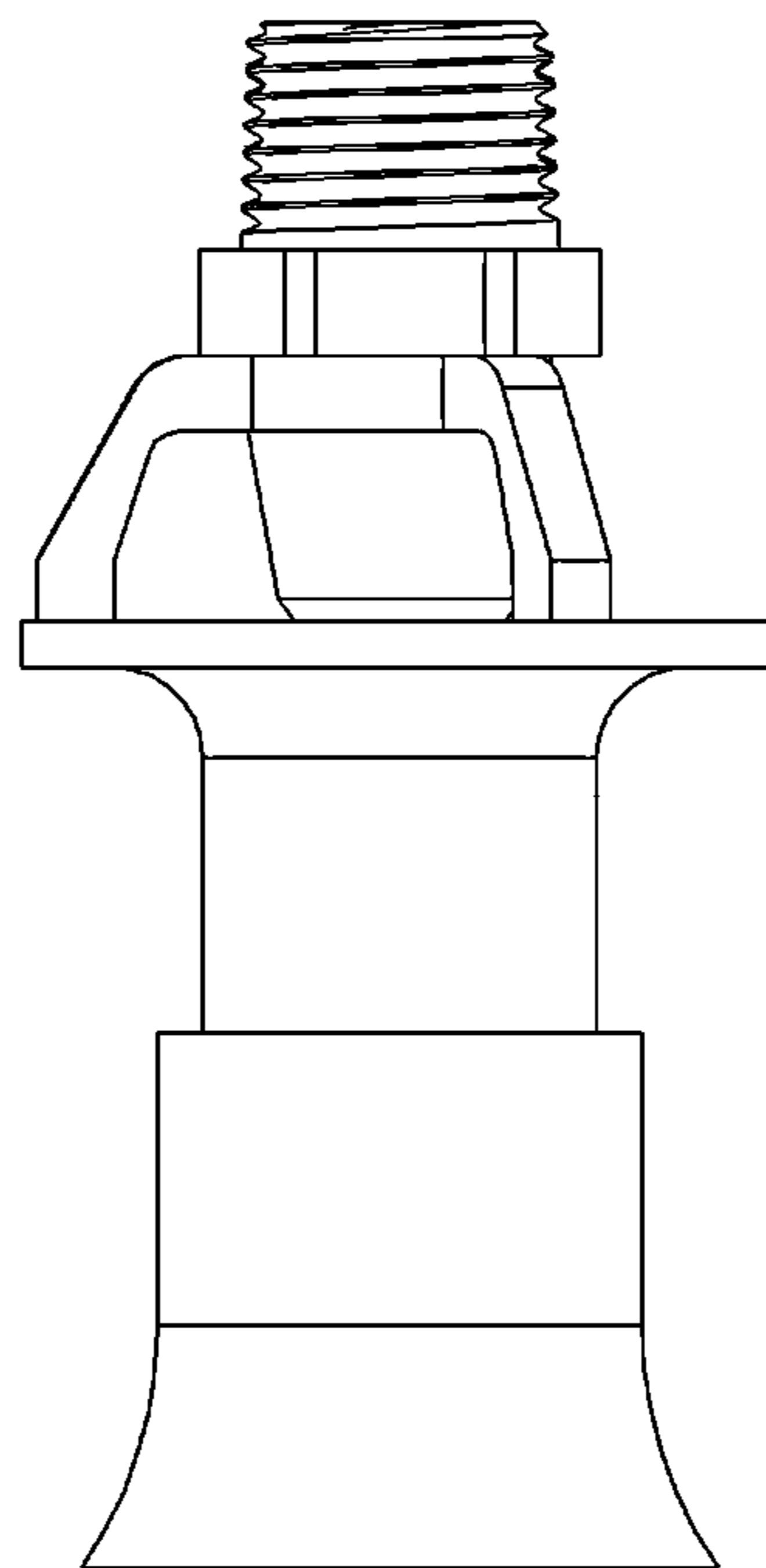


FIG. 5

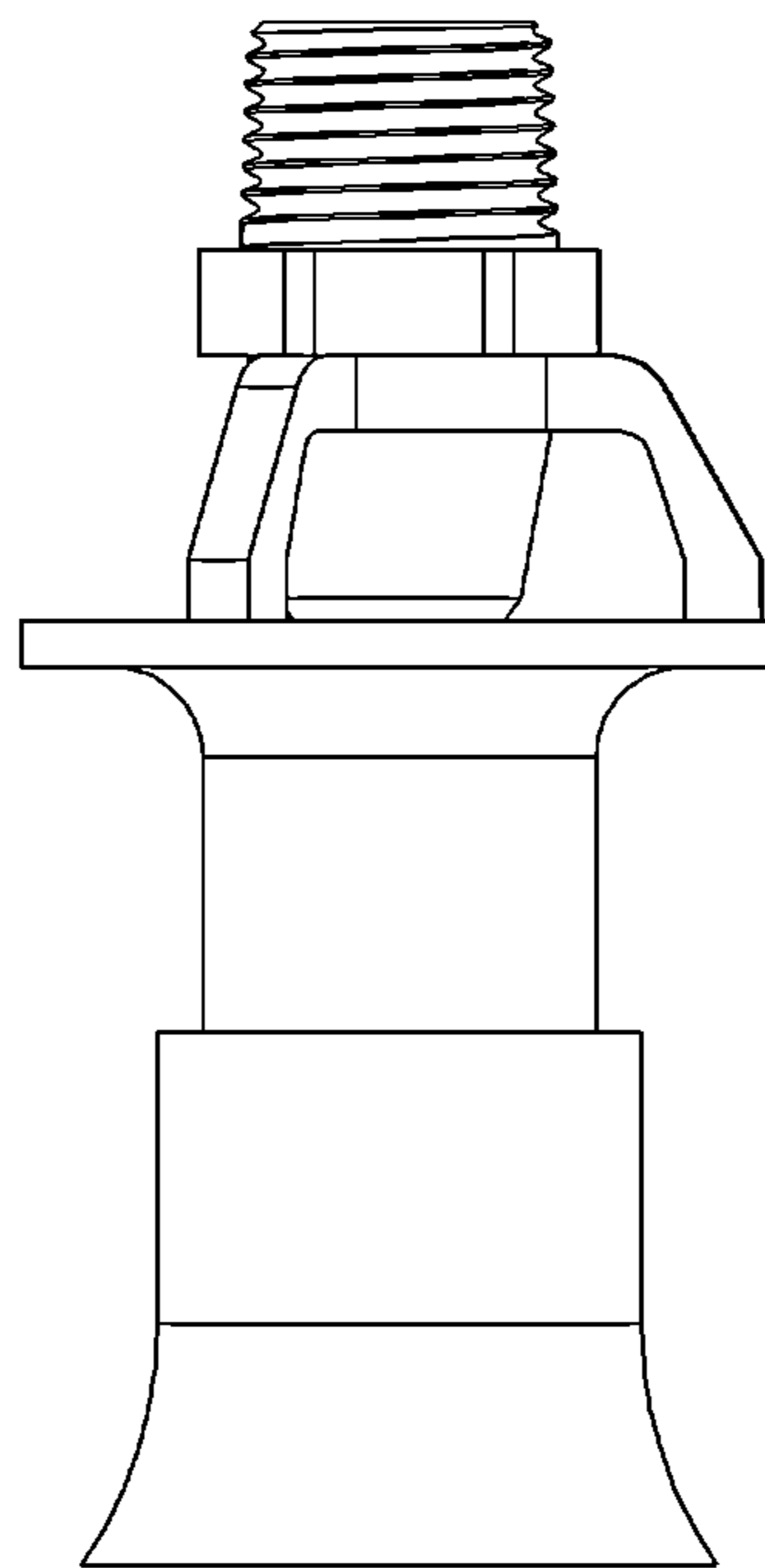


FIG. 6

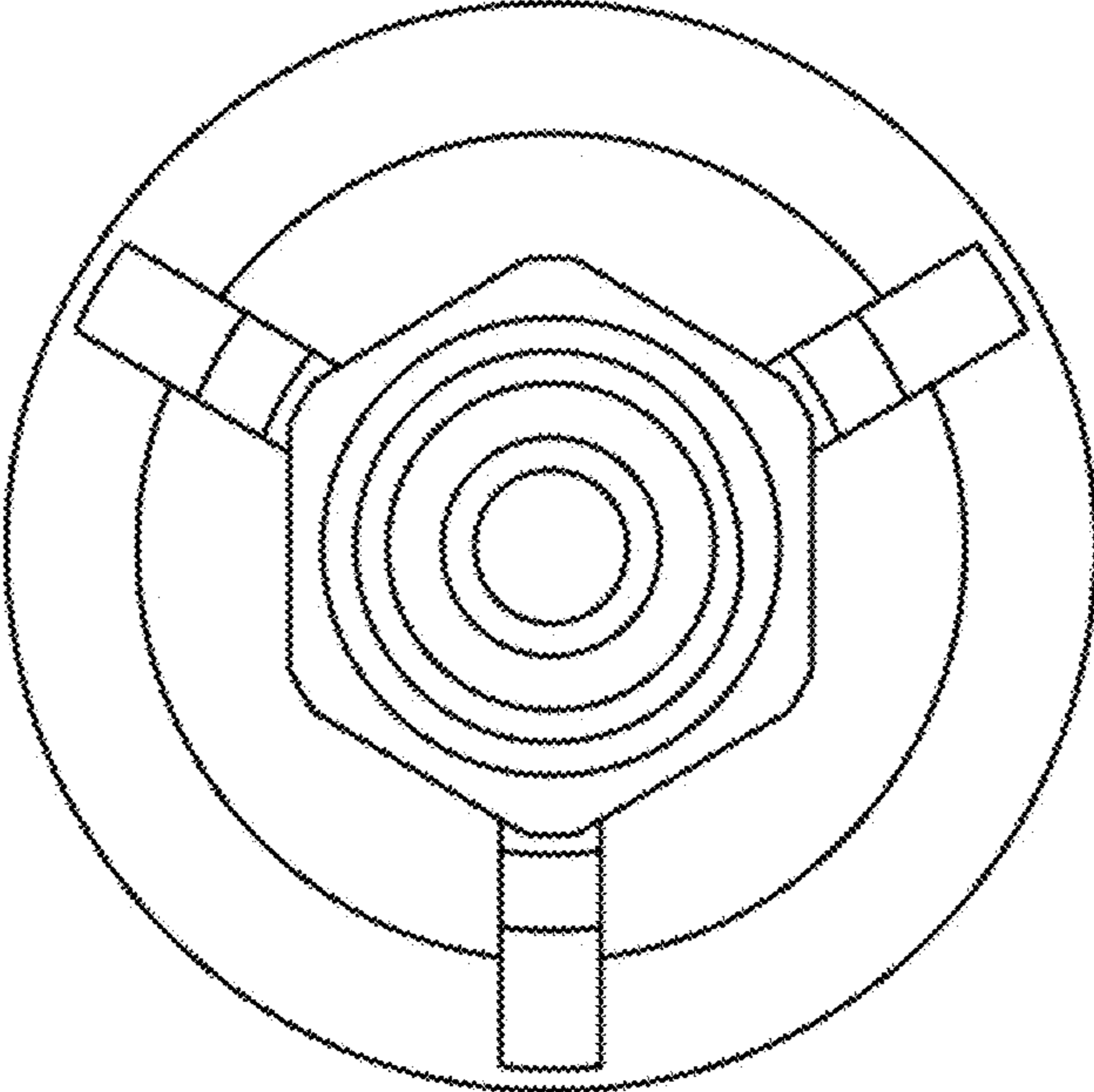


FIG. 7

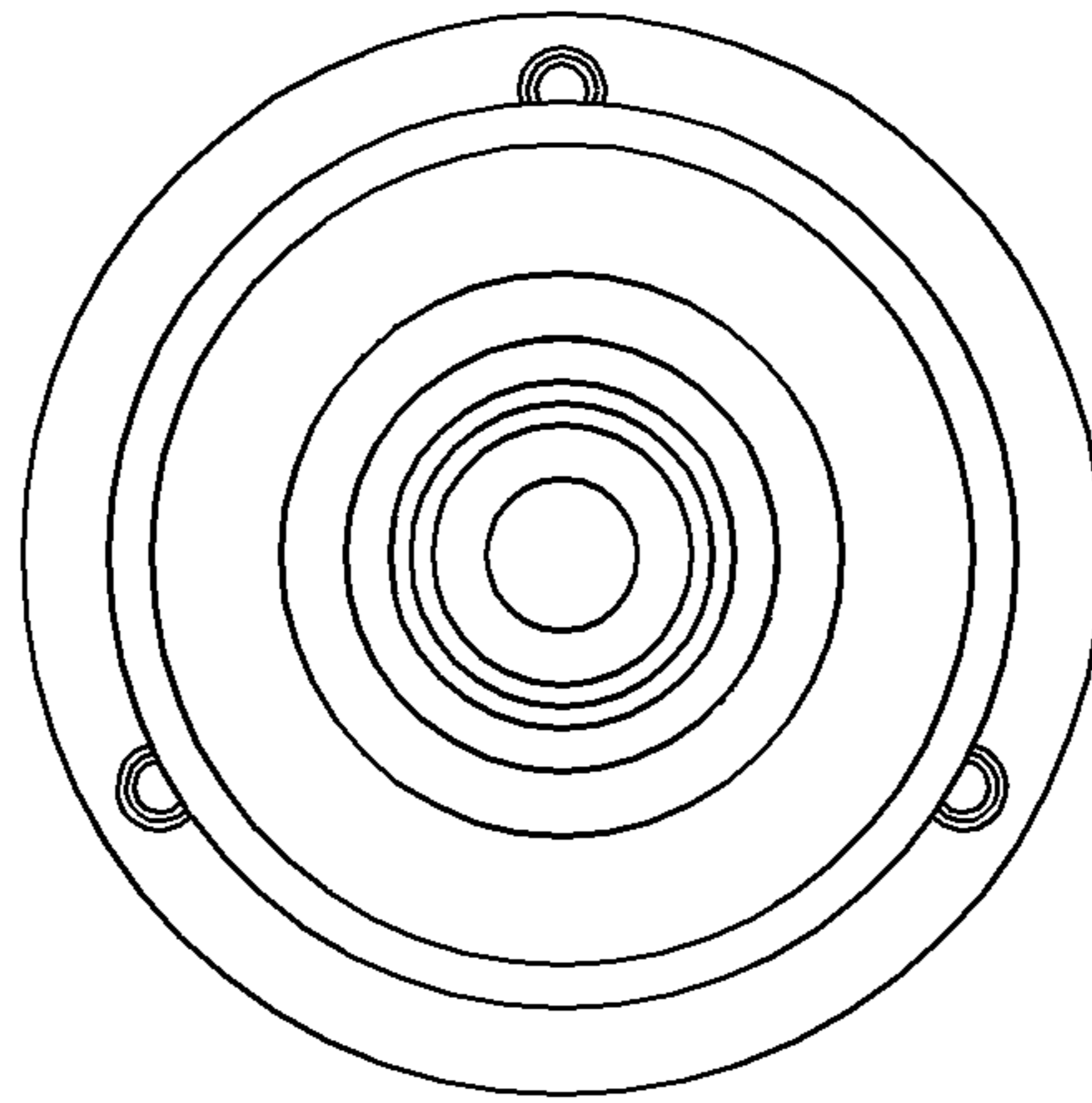


FIG. 8

