



US00D980945S

(12) **United States Design Patent**  
**Schlenker**

(10) **Patent No.:** **US D980,945 S**  
(45) **Date of Patent:** **\*\* Mar. 14, 2023**

(54) **WATER CAN**

(71) Applicant: **Pressol—Schmiergeräte Gesellschaft mit beschränkter Haftung,**  
Heitersheim (DE)

(72) Inventor: **Rudolf Schlenker,** Weggis (CH)

(73) Assignee: **Pressol—Schmiergeräte Gesellschaft mit beschränkter Haftung,**  
Heitersheim (DE)

(\*\*) Term: **15 Years**

(21) Appl. No.: **35/512,178**

(22) Filed: **May 17, 2021**

(80) **Hague Agreement Data**

Int. Filing Date: **May 17, 2021**

Int. Reg. No.: **DM/215191**

Int. Reg. Date: **May 17, 2021**

Int. Reg. Pub. Date: **Jul. 16, 2021**

(51) **LOC (14) Cl.** ..... **08-05**

(52) **U.S. Cl.**  
USPC ..... **D23/212; D9/527**

(58) **Field of Classification Search**  
USPC ..... D9/500, 502, 516, 530, 537, 539, 542,  
D9/549, 763–783, 434, 435, 446,  
D9/452–454, 523, 524, 526–528;  
D23/211.1, 211.2, 212  
CPC ..... B21D 51/26; B21D 51/383; B29C 66/71;  
B65D 1/00; B65D 1/02; B65D 1/12;  
B65D 1/14; B65D 1/40; B65D 1/44;  
B65D 1/023; B65D 1/0223; B65D 1/165;  
B65D 1/238; B65D 1/246; B65D 1/253;  
B65D 7/04;

(Continued)

(56) **References Cited**

**U.S. PATENT DOCUMENTS**

D241,032 S \* 8/1976 Burke ..... D23/212  
D248,370 S \* 7/1978 Beekenkamp ..... D9/527

(Continued)

*Primary Examiner* — Keli L Hill

(74) *Attorney, Agent, or Firm* — Volpe Koenig

(57) **CLAIM**

The ornamental design for a water can, as shown and described.

**DESCRIPTION**

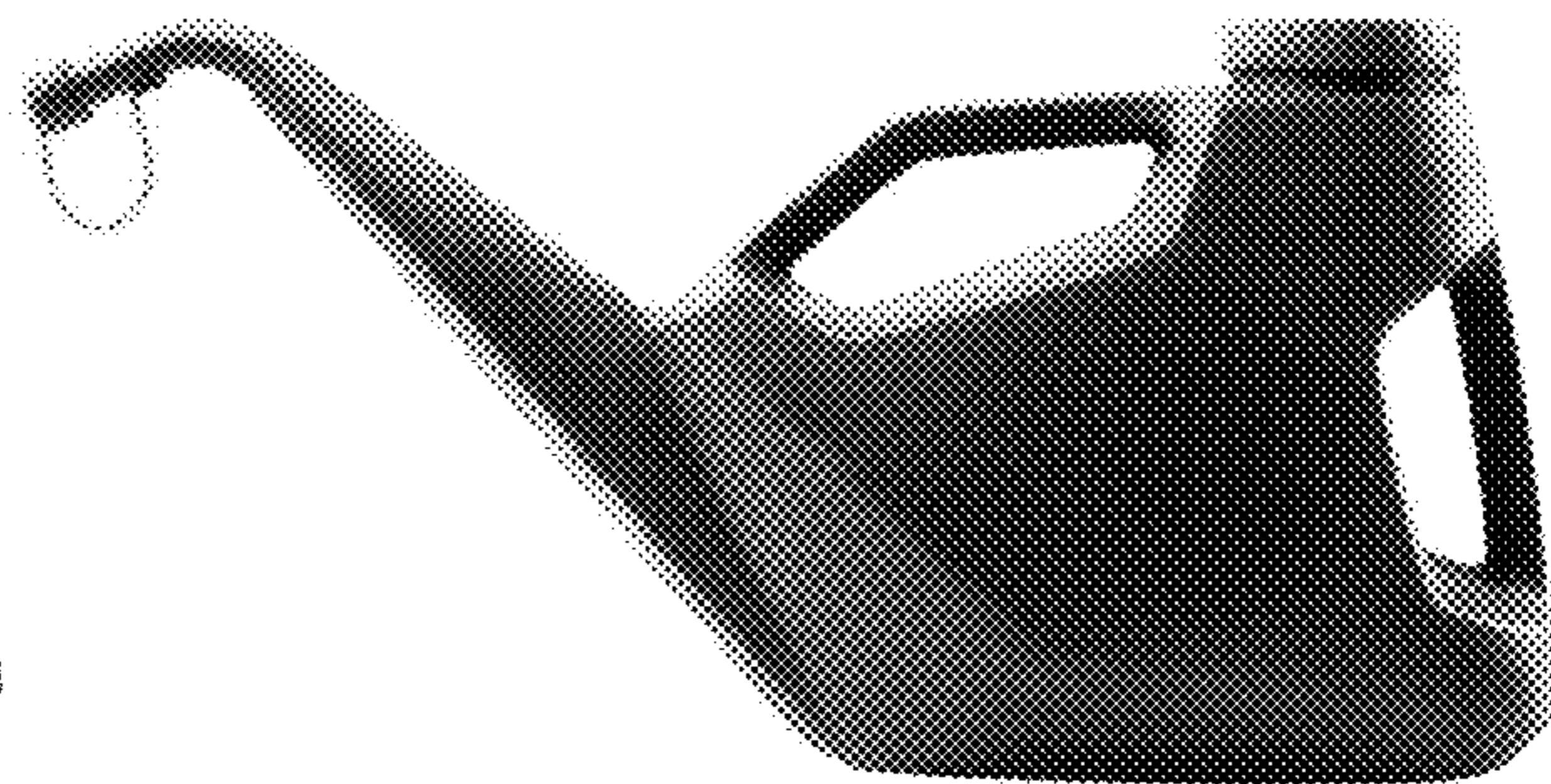
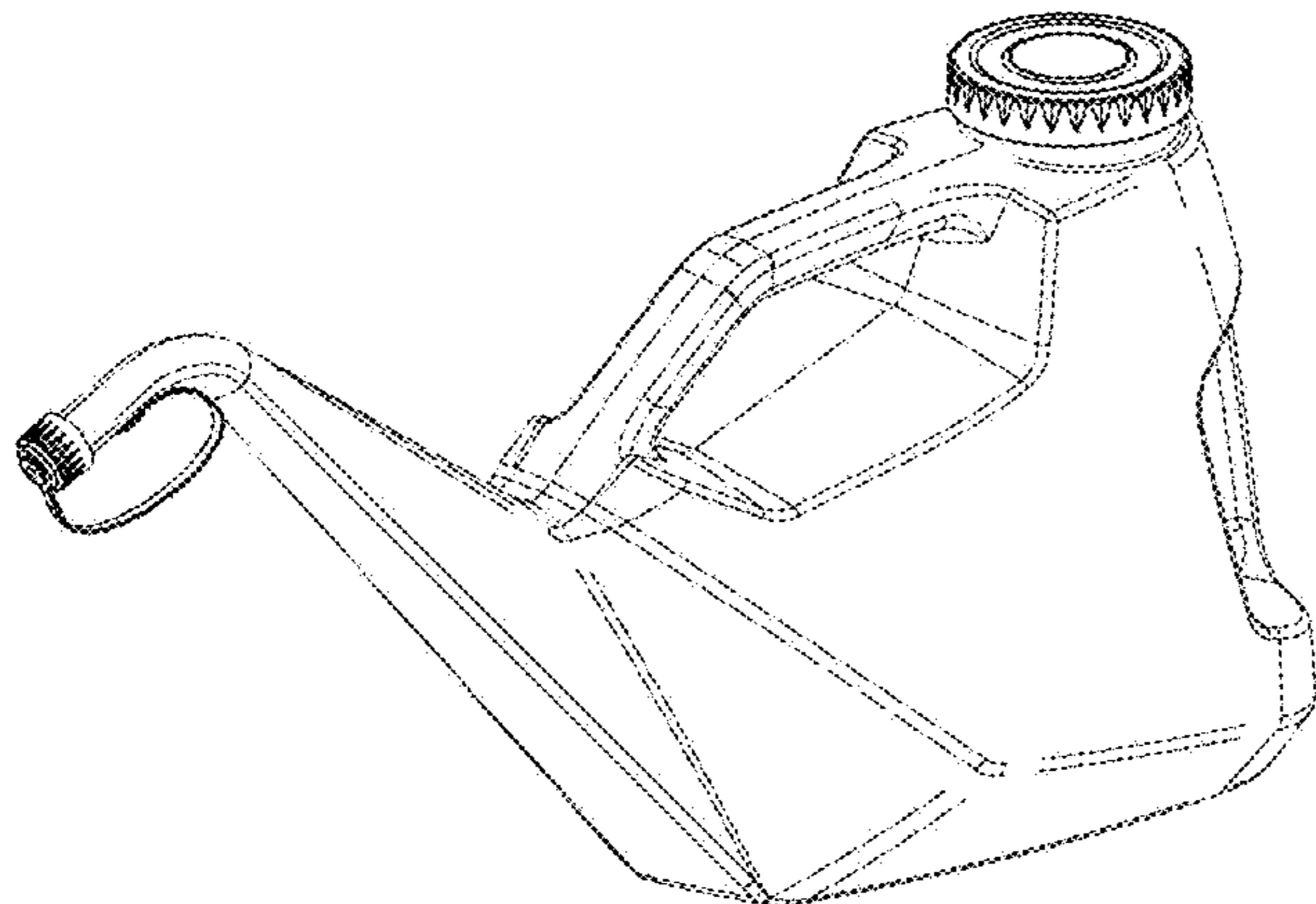
The file of this patent contains at least one drawing/photograph executed in color. Copies of this patent with color drawing(s)/photograph(s) will be provided by the Office upon request and payment of the necessary fee.

- 1. Water can
- 2. Water can
- 3. Water can
- 1.1 : Back
- 1.2 : Left
- 1.3 : Front
- 1.4 : Right
- 1.5 : Bottom
- 1.6 : Top
- 1.7 : Perspective
- 2.1 : Back
- 2.2 : Left
- 2.3 : Front
- 2.4 : Right
- 2.5 : Bottom
- 2.6 : Top
- 2.7 : Perspective
- 3.1 : Back
- 3.2 : Left
- 3.3 : Front
- 3.4 Top

The area encompassed by the dot-dash boundary line in Figure 1.5 forms no part of the claimed design.

The broken lines in Figure 2.5 represent portions of the water can in which the design is embodied that form no part of the claimed design.

**1 Claim, 18 Drawing Sheets**  
**(11 of 18 Drawing Sheet(s) Filed in Color)**



(58) **Field of Classification Search**

CPC ..... B65D 21/0209; B65D 21/0233; B65D  
25/00; B65D 25/28; B65D 41/0457;  
B65D 41/17; B65D 53/06; B65D 75/56;  
B65D 79/005; B65D 2501/0036; B65D  
2543/00064; B65D 2543/00074; B65D  
2543/00083; B65D 2543/00092; B65D  
2543/00101; B65D 2543/00111; Y10T  
29/49826

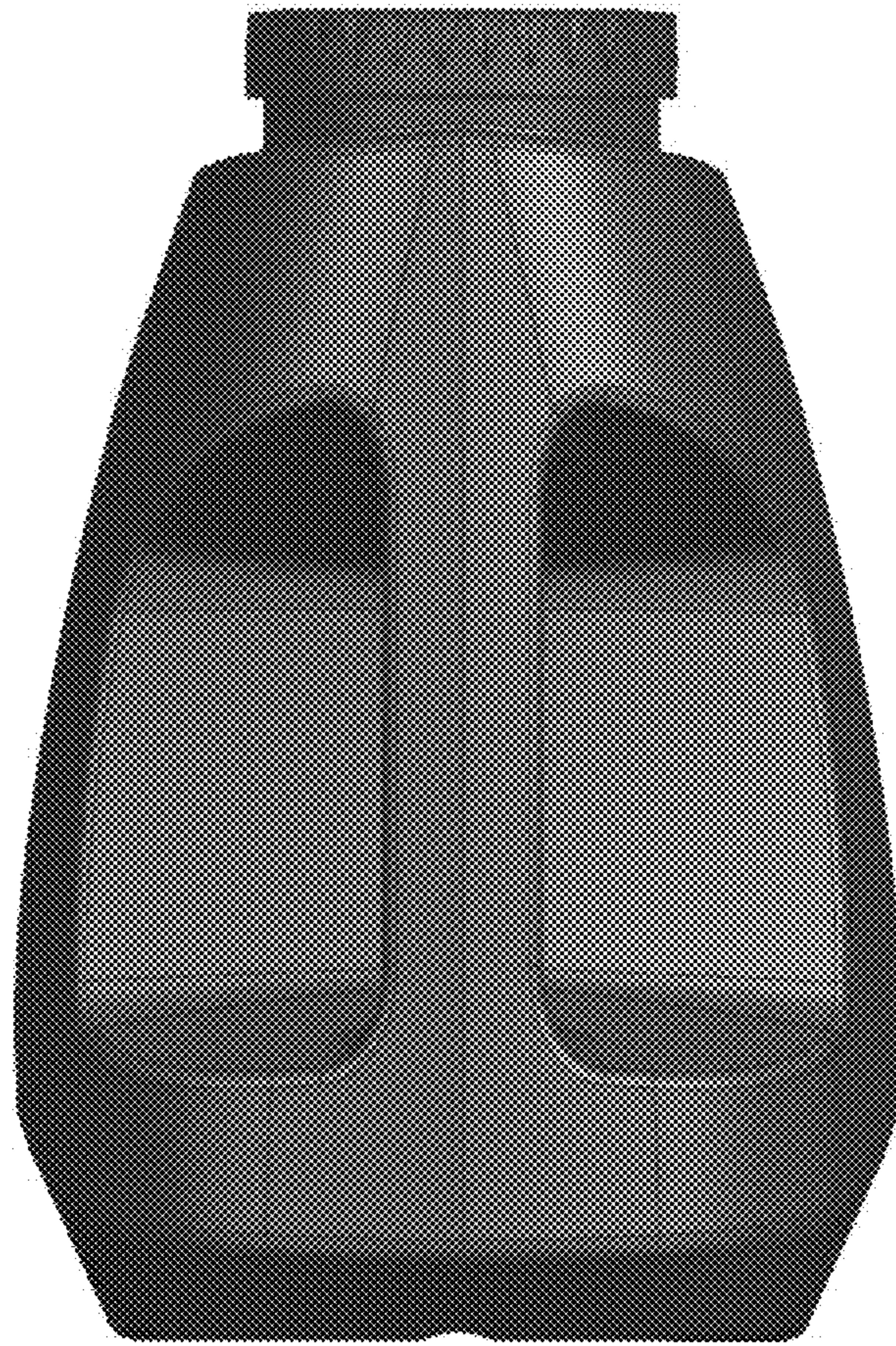
See application file for complete search history.

(56) **References Cited**

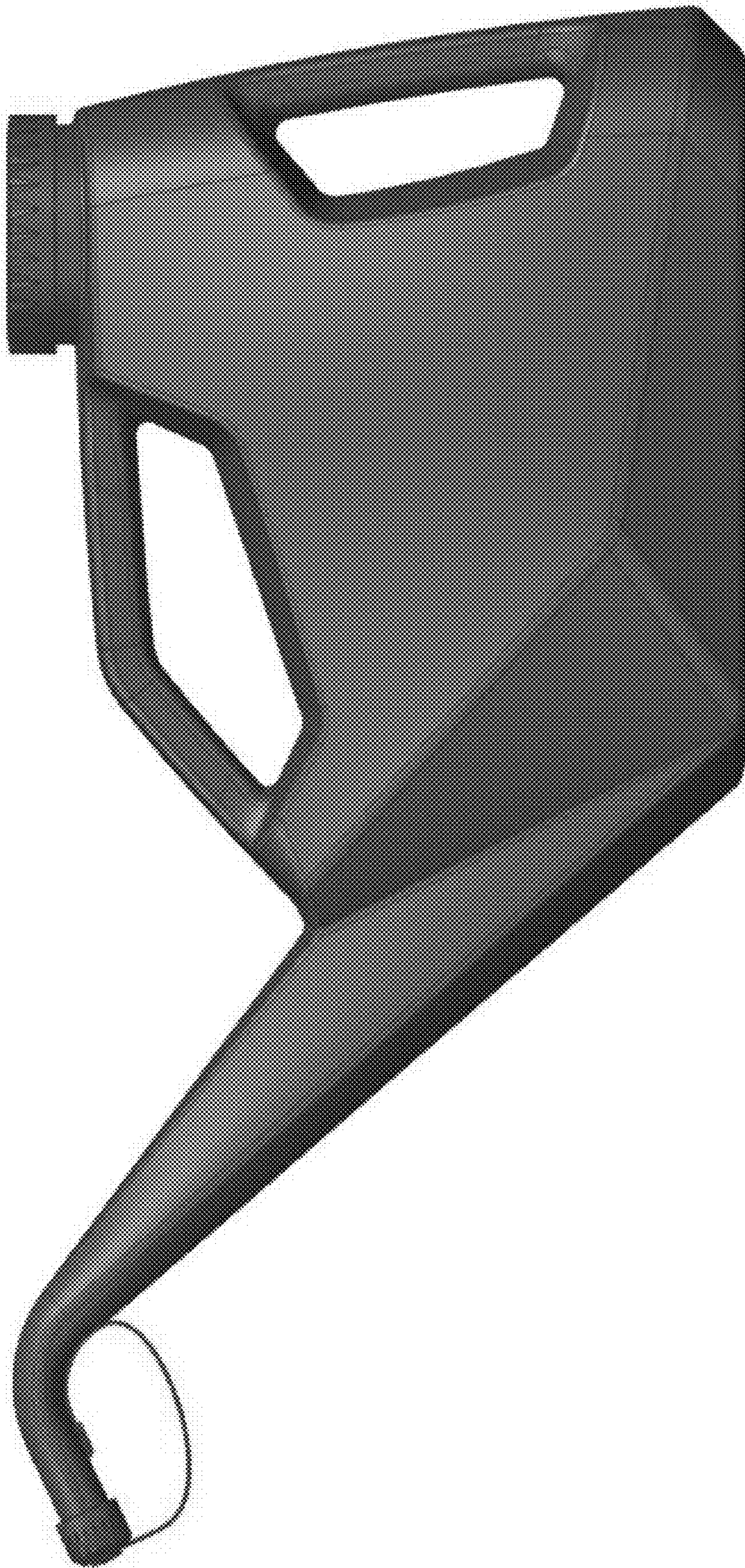
U.S. PATENT DOCUMENTS

D266,018	S	*	8/1982	Dilyard	.....	D23/212
D279,210	S	*	6/1985	Carlson	.....	D23/212
D323,544	S	*	1/1992	Davis	.....	D23/212
D326,050	S	*	5/1992	Stockstill	.....	D23/211.2
D356,871	S	*	3/1995	Dunn	.....	D24/197
D478,005	S	*	8/2003	Sali	.....	D9/449
D497,313	S	*	10/2004	Glover	.....	D9/527
D505,182	S	*	5/2005	Durant	.....	D23/212
D516,434	S	*	3/2006	McGuire	.....	D9/524
D525,340	S	*	7/2006	Durant	.....	D23/212
D528,423	S	*	9/2006	Glover	.....	D9/524
D574,708	S	*	8/2008	Reed	.....	D9/453
D732,393	S	*	6/2015	Senus	.....	D9/528
D764,022	S	*	8/2016	Lai	.....	D23/211.2

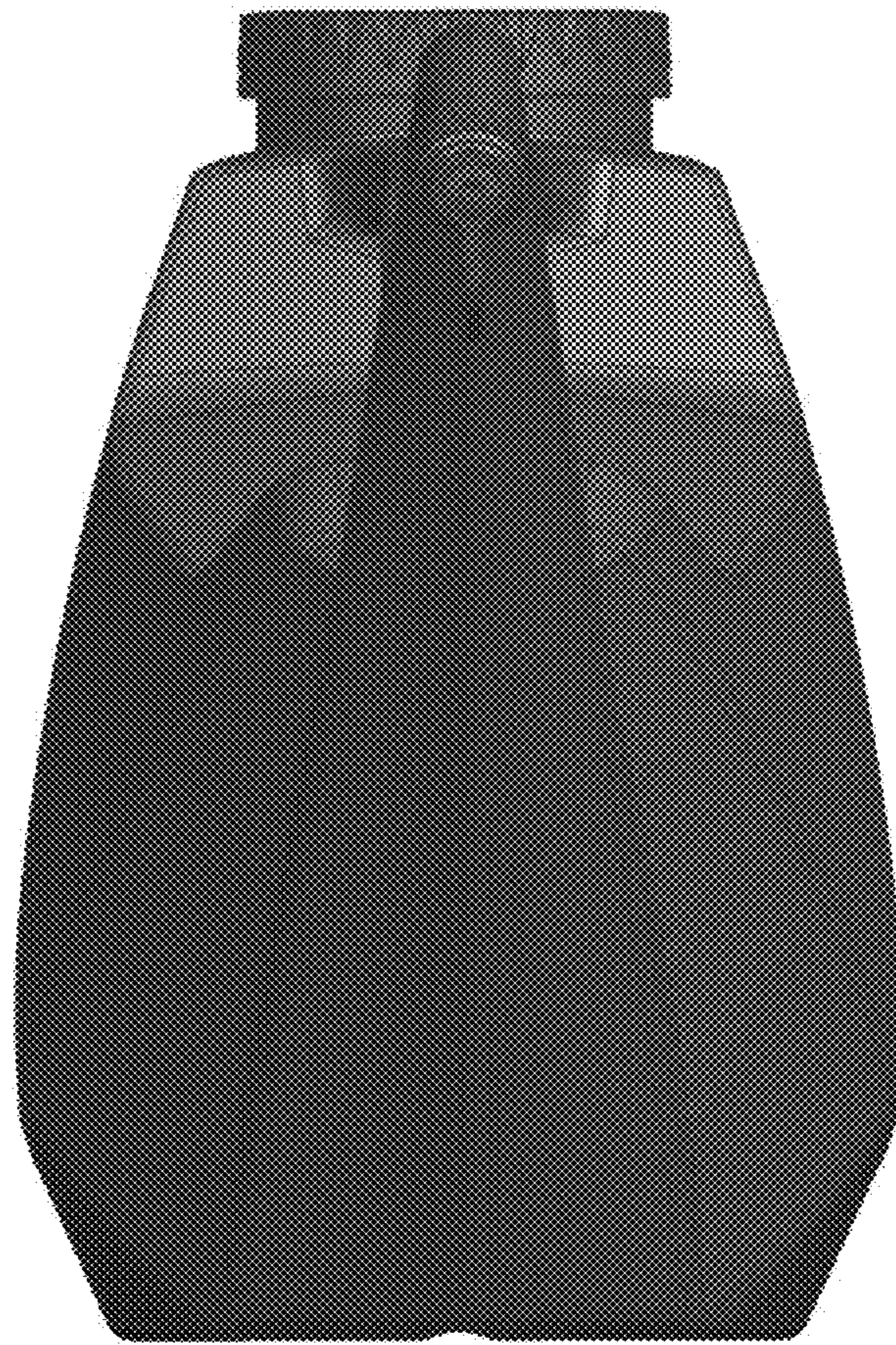
\* cited by examiner



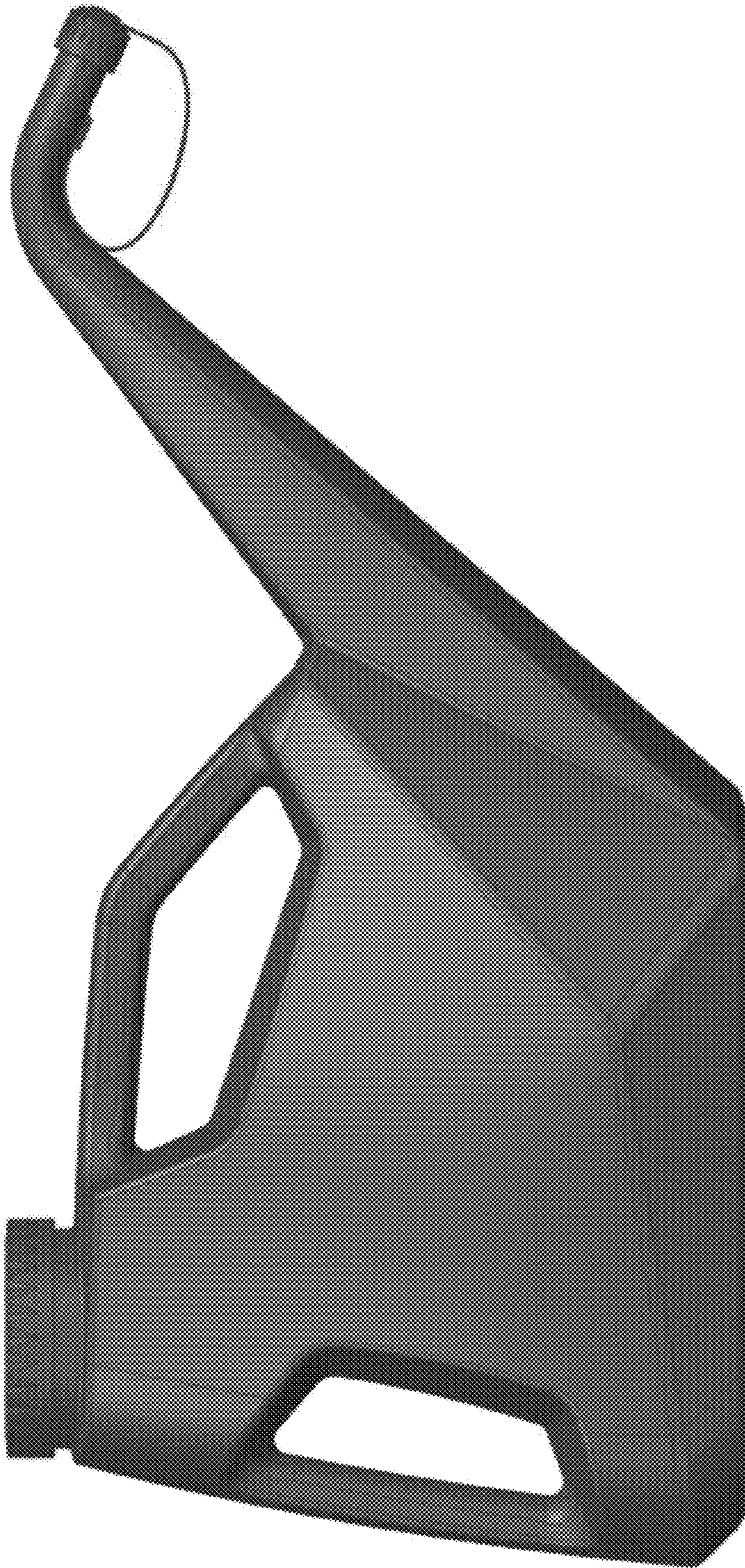
1.1



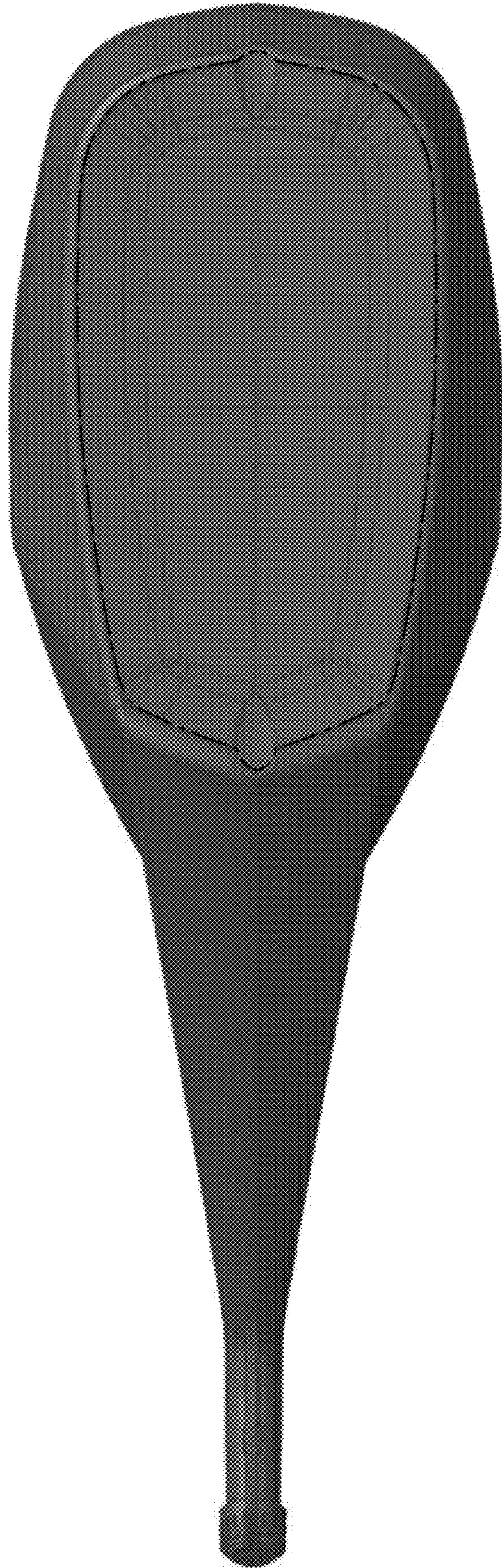
1.2



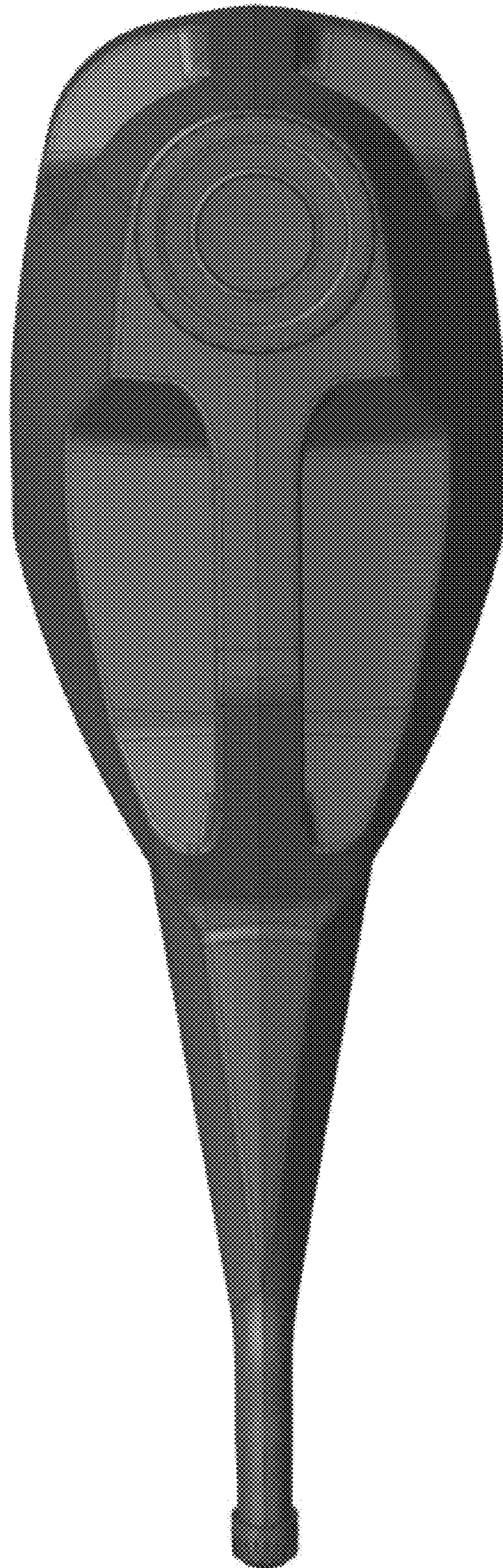
1.3



1.4

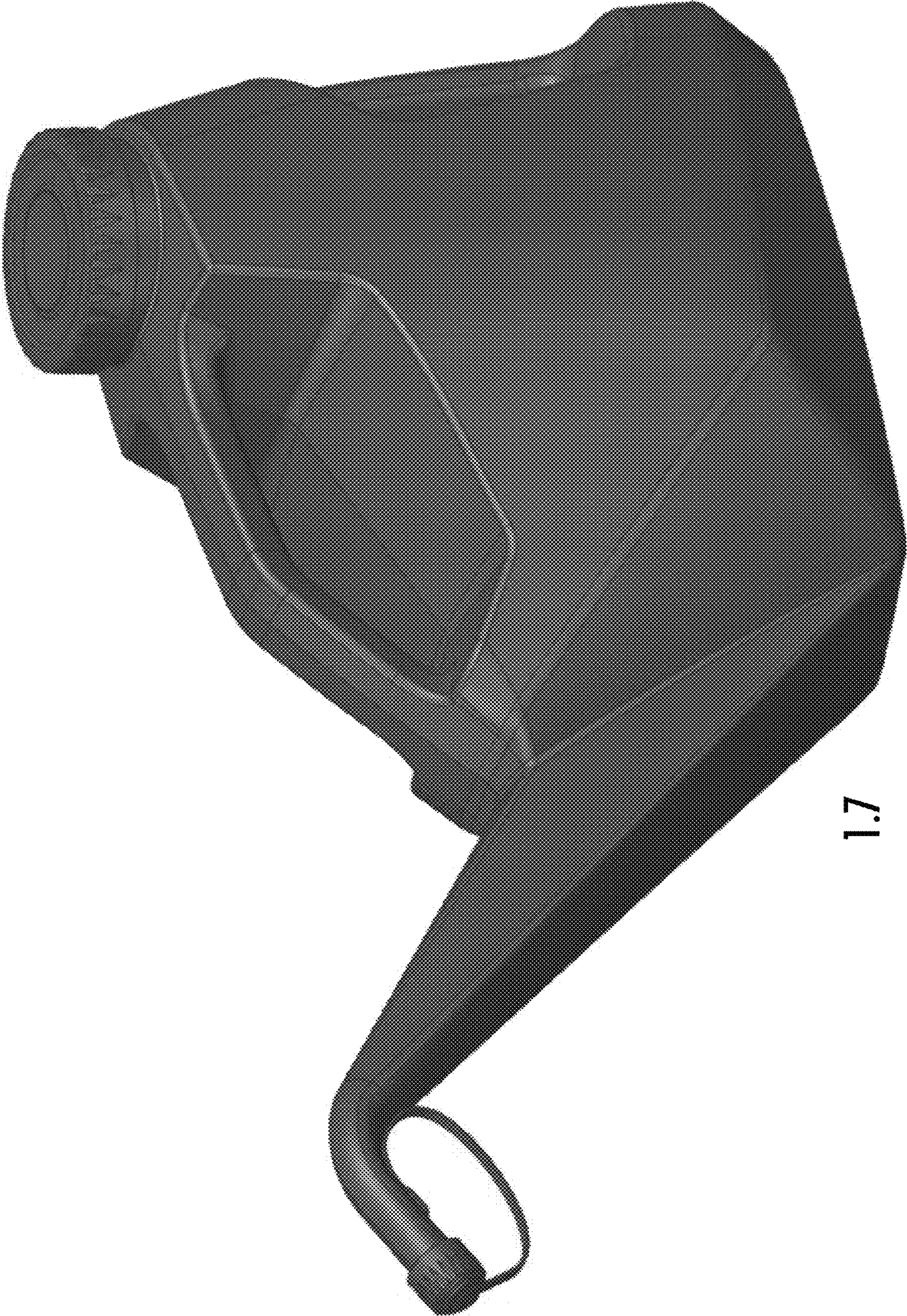


1.5

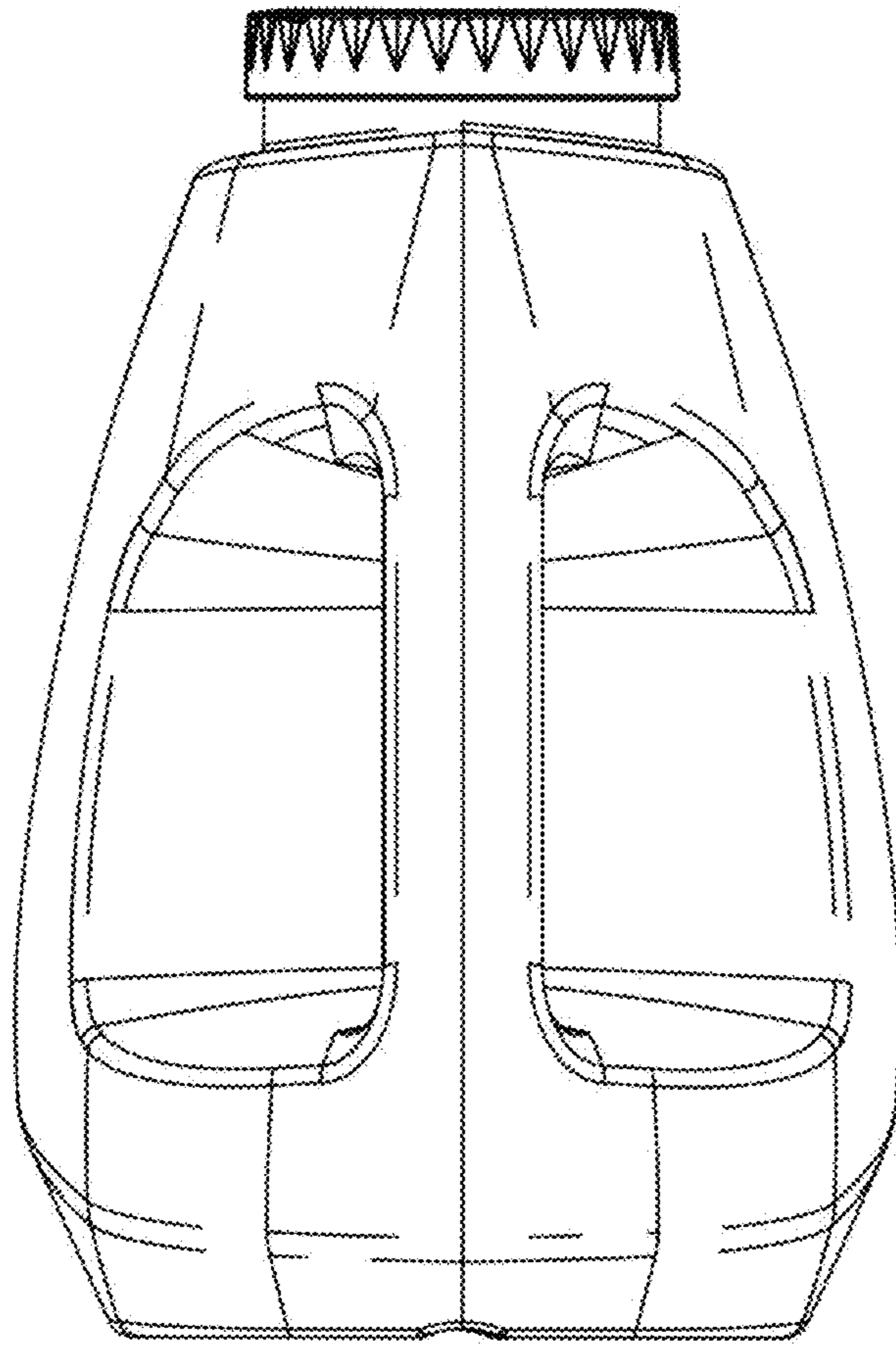


1.6

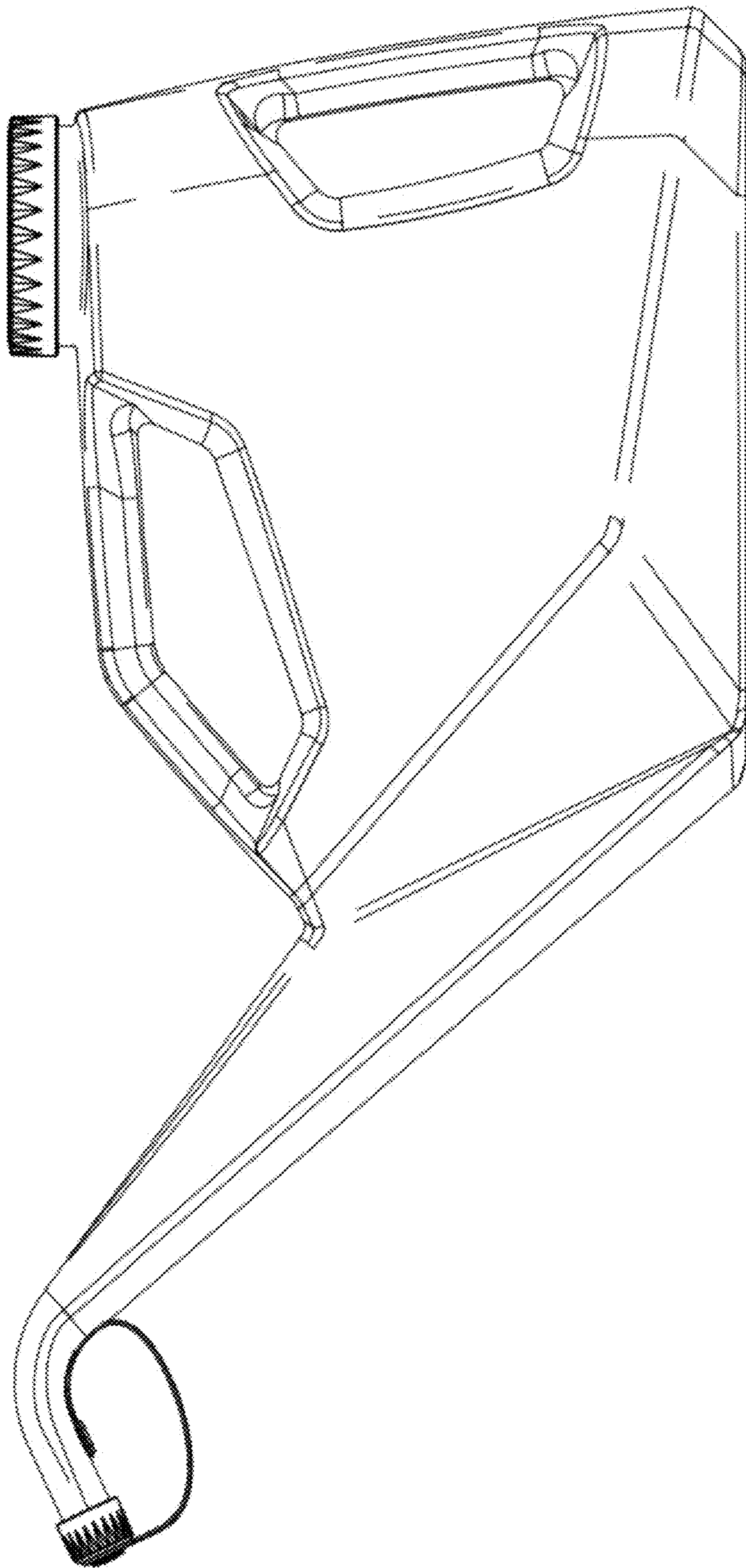




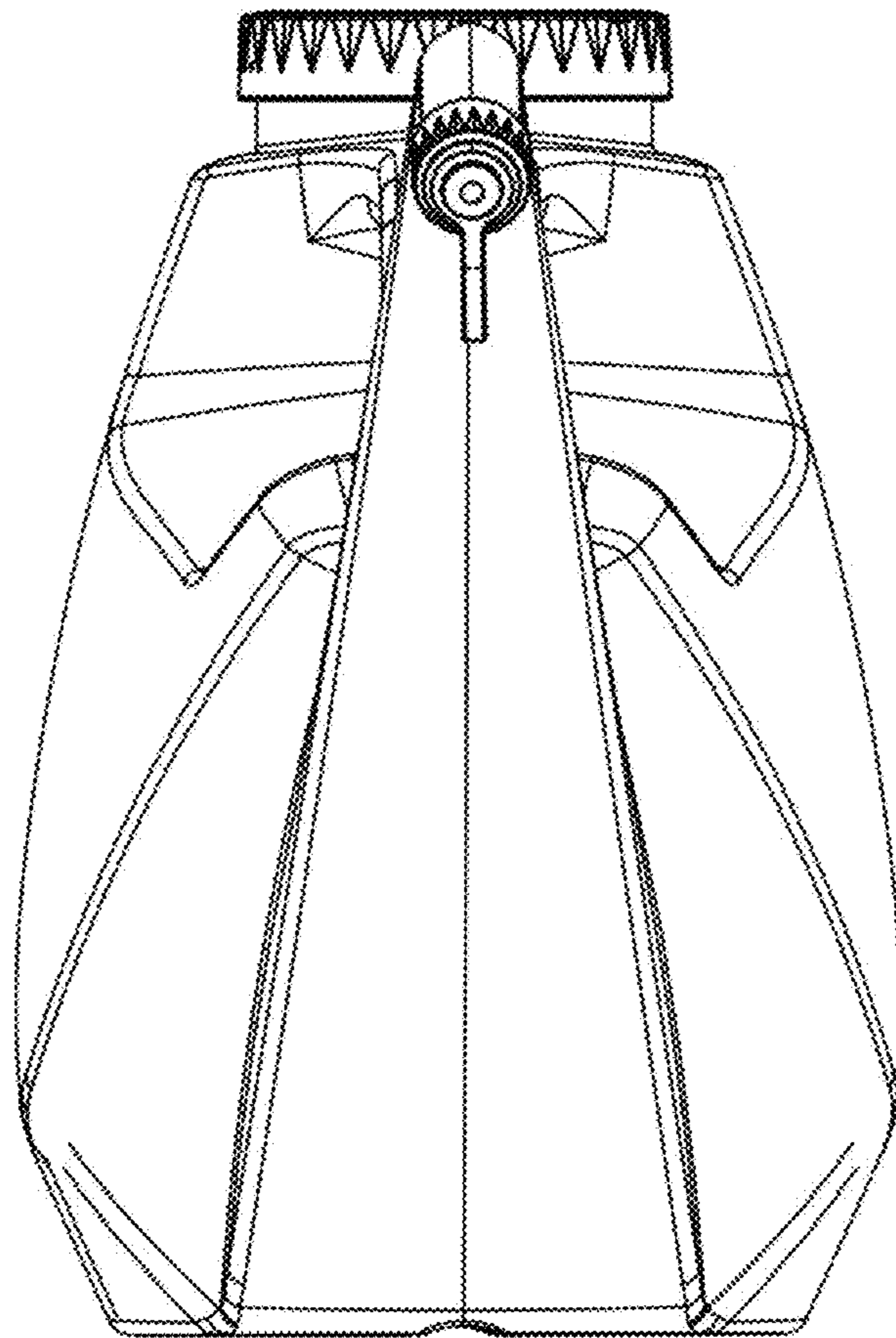
1.7



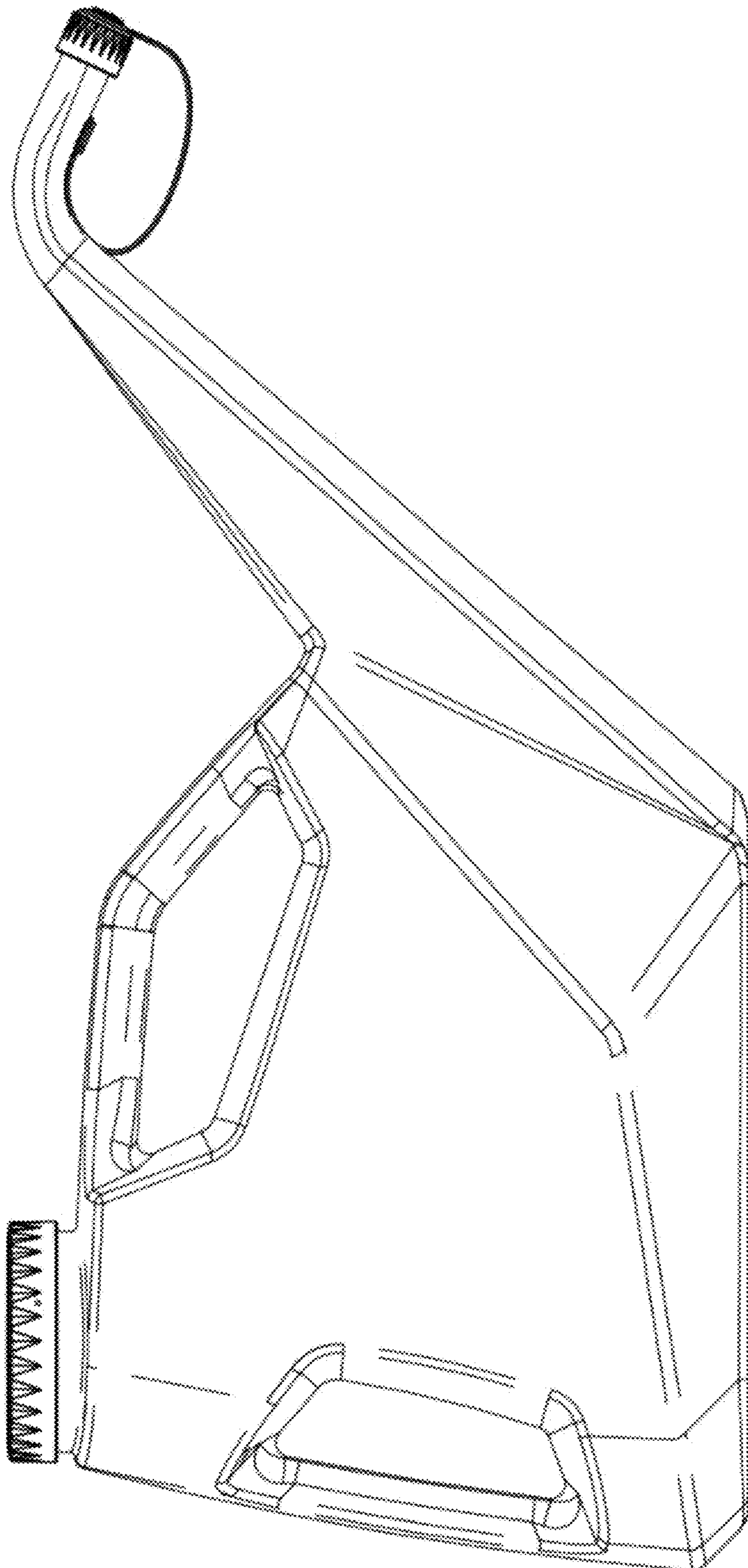
2.1



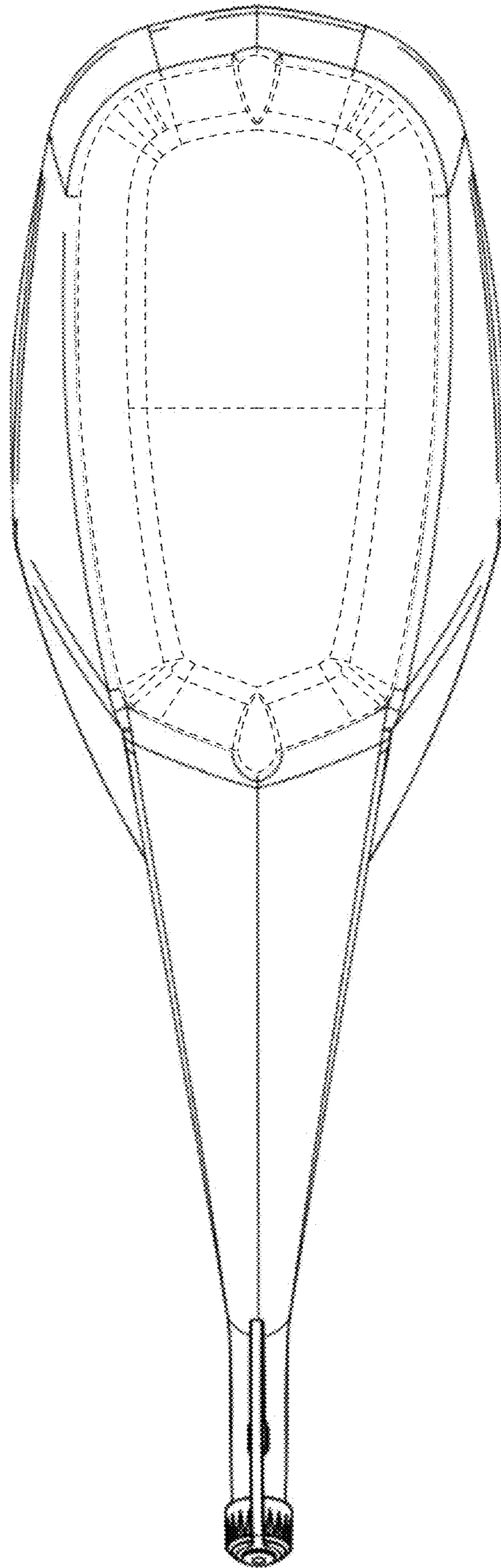
2.2



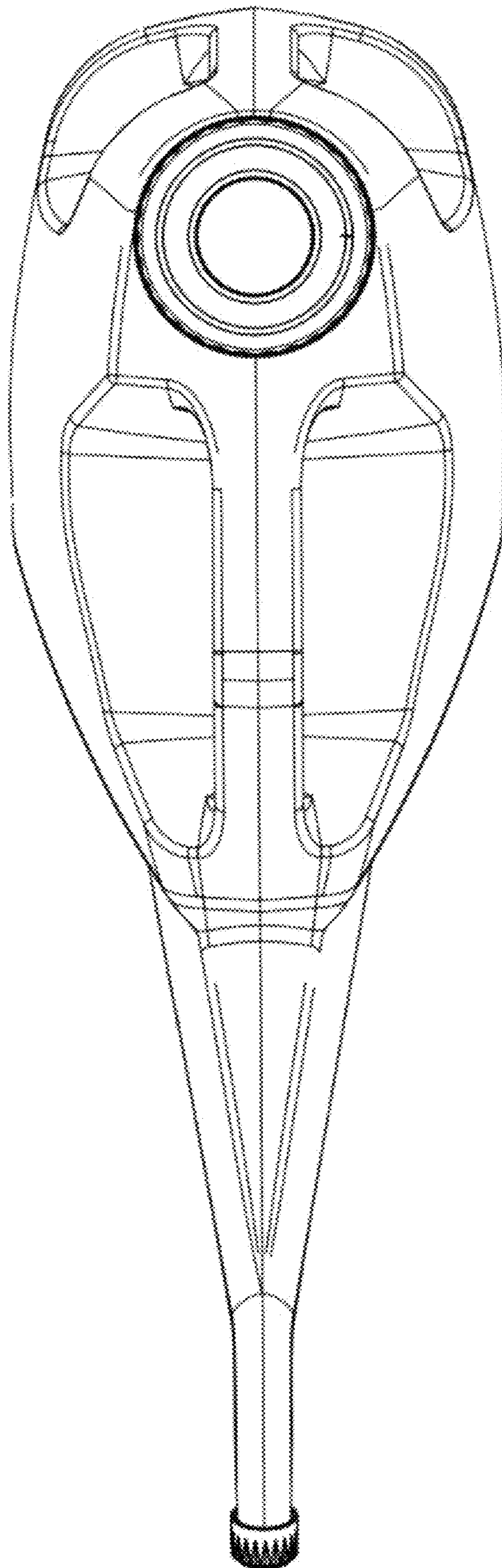
2.3



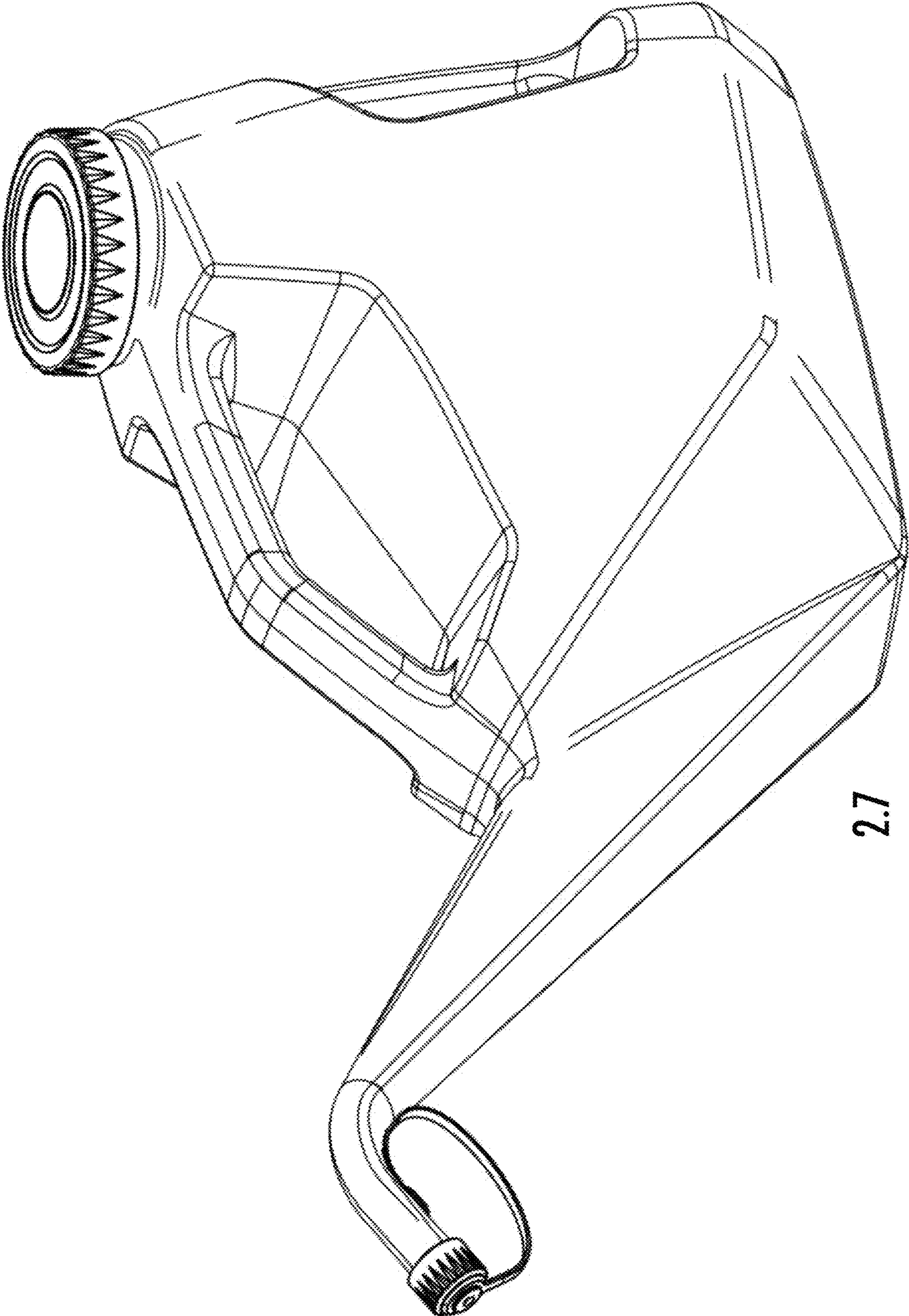
2.4



2.5

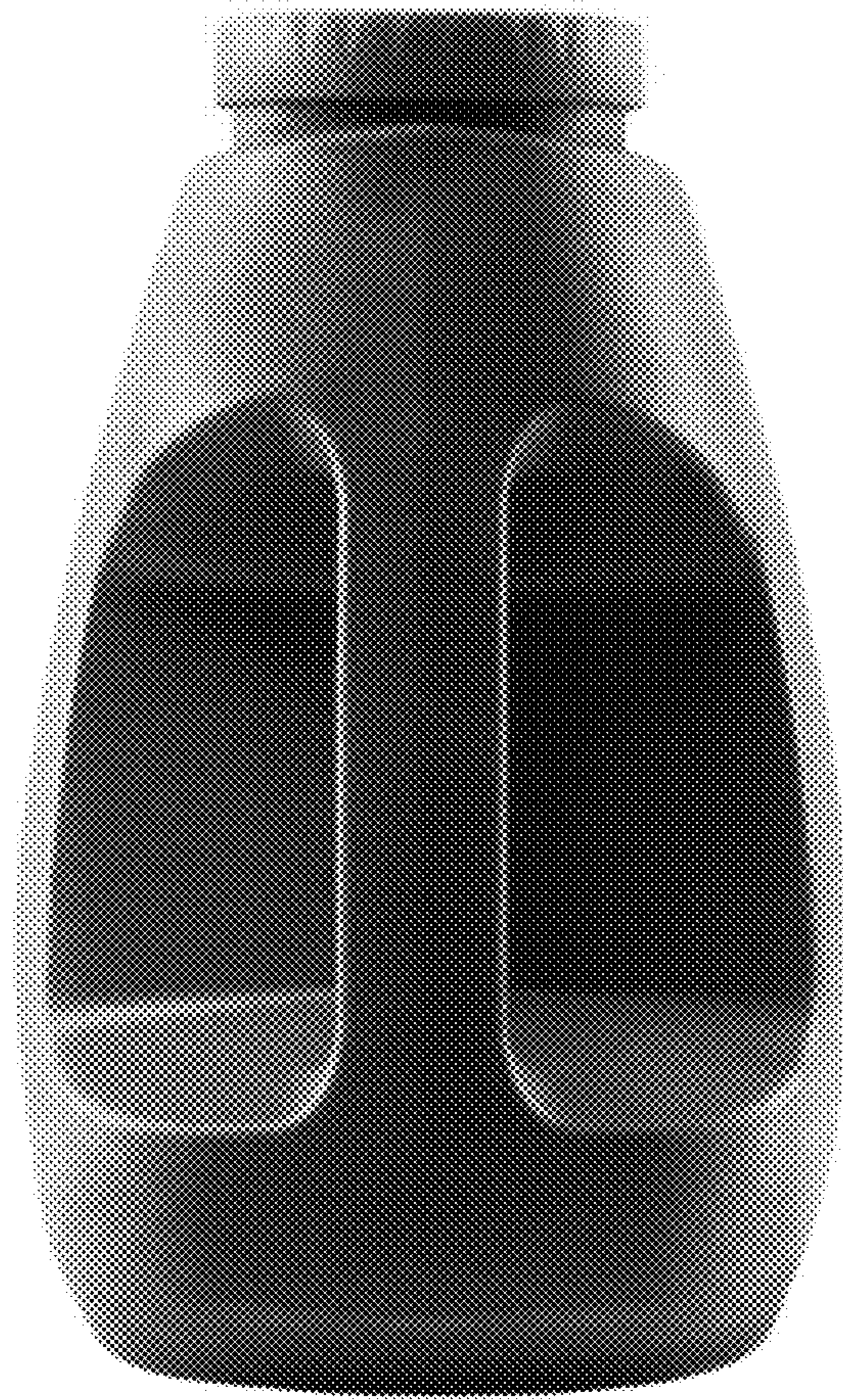


2.6



2.7

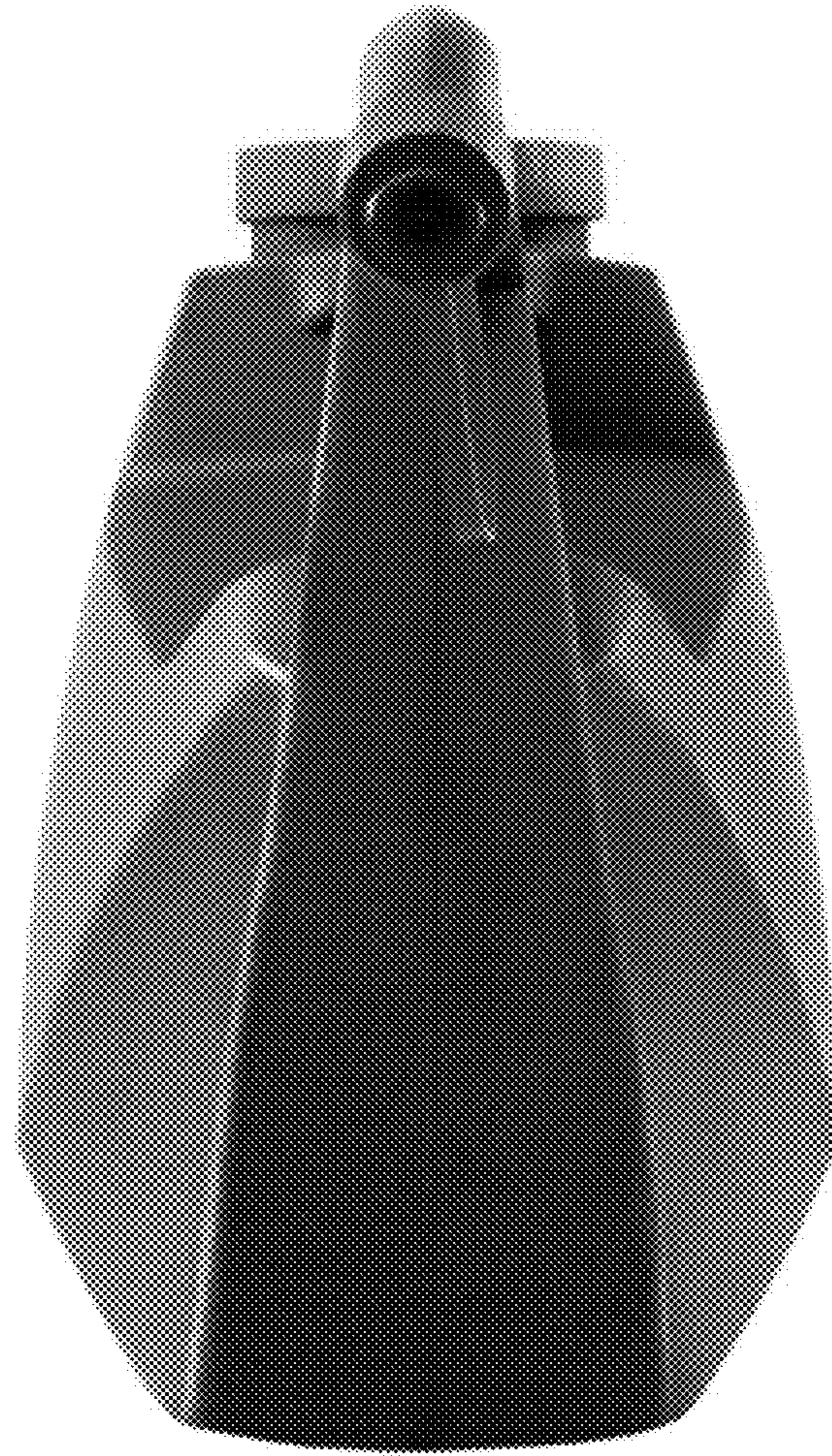




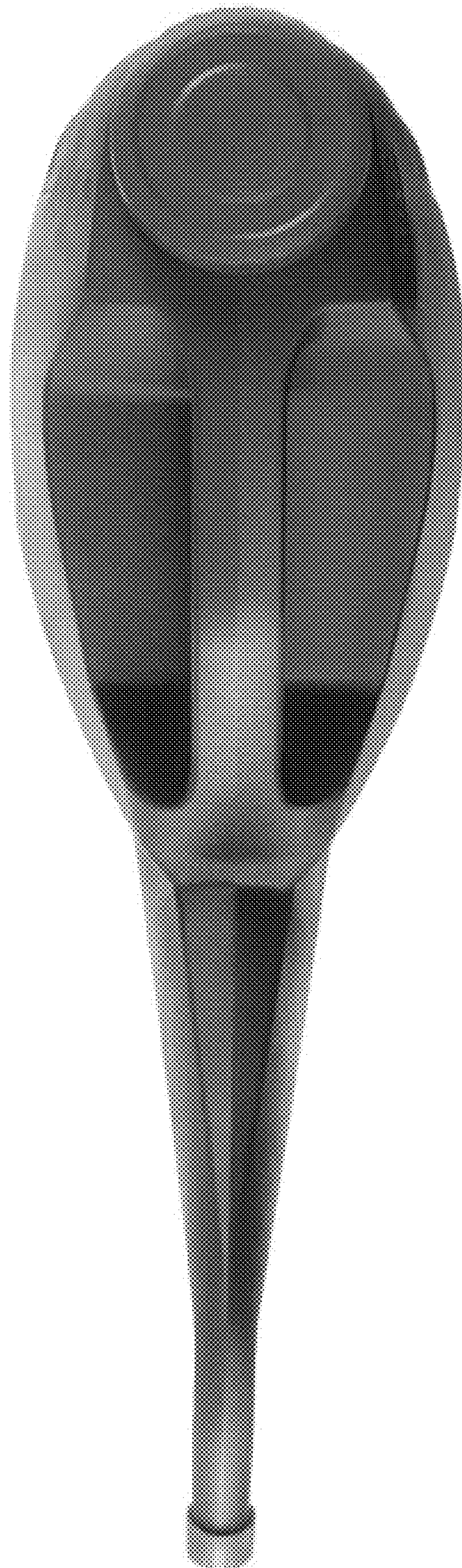
3.1



3.2



3.3



3.4