



US00D980943S

(12) **United States Design Patent**
Sprandel

(10) **Patent No.:** **US D980,943 S**
(45) **Date of Patent:** **** Mar. 14, 2023**

(54) **DECOY**

(71) Applicant: **Harry Sprandel**, Corry, PA (US)

(72) Inventor: **Harry Sprandel**, Corry, PA (US)

(**) Term: **15 Years**

(21) Appl. No.: **29/840,022**

(22) Filed: **May 25, 2022**

(51) **LOC (14) Cl.** **22-05**

(52) **U.S. Cl.**
USPC **D22/125**

(58) **Field of Classification Search**
USPC D22/125
CPC A01M 31/00; A01M 31/06; A01M 31/025;
F16B 1/00; F16B 21/26; F16B 2/08;
F16B 11/08; F16B 11/30; G08C 17/02
See application file for complete search history.

(56) **References Cited**

U.S. PATENT DOCUMENTS

D138,600 S	8/1944	Ringler	
2,483,680 A	8/1949	Timm	
2,816,383 A	12/1957	Locher	
3,460,283 A *	8/1969	Stephens	A01M 31/06 43/3
D229,306 S	11/1973	McGraw	
4,893,428 A	1/1990	Gagnon	
D358,862 S	5/1995	Chaffin	
D404,791 S	1/1999	Swiecki	
D475,759 S	6/2003	Salato	
6,760,993 B2 *	7/2004	Lebens	A01M 31/06 43/3
8,136,288 B1 *	3/2012	Shope	A01M 31/06 43/2
D774,161 S	12/2016	Stirling	
D794,155 S	8/2017	Buckway	
D861,826 S	10/2019	Essary	

(Continued)

OTHER PUBLICATIONS

Vintage Paper Mache Canadian Goose Decoy . . . <https://www.proxibid.com/Vintage-Paper-Mache-Canadian-Goose-Decoy/lotInformation/52715691> (Year: 2021).

(Continued)

Primary Examiner — Catherine R Oliver-Garcia
(74) *Attorney, Agent, or Firm* — The Bilicki Law Firm, PC

(57) **CLAIM**

The ornamental design for a decoy, as shown and described.

DESCRIPTION

FIG. 1 shows left side and top perspective views of the constituent parts of a first embodiment of a decoy according to the present design, the right side and bottom images being mirror images thereof;

FIG. 2 is an assembled top perspective view of a first embodiment of a decoy according to the present design;

FIG. 3 is an assembled front view of a first embodiment of a decoy according to the present design;

FIG. 4 is an assembled rear view of a first embodiment of a decoy according to the present design;

FIG. 5 is an assembled left side view of a first embodiment of a decoy according to the present design;

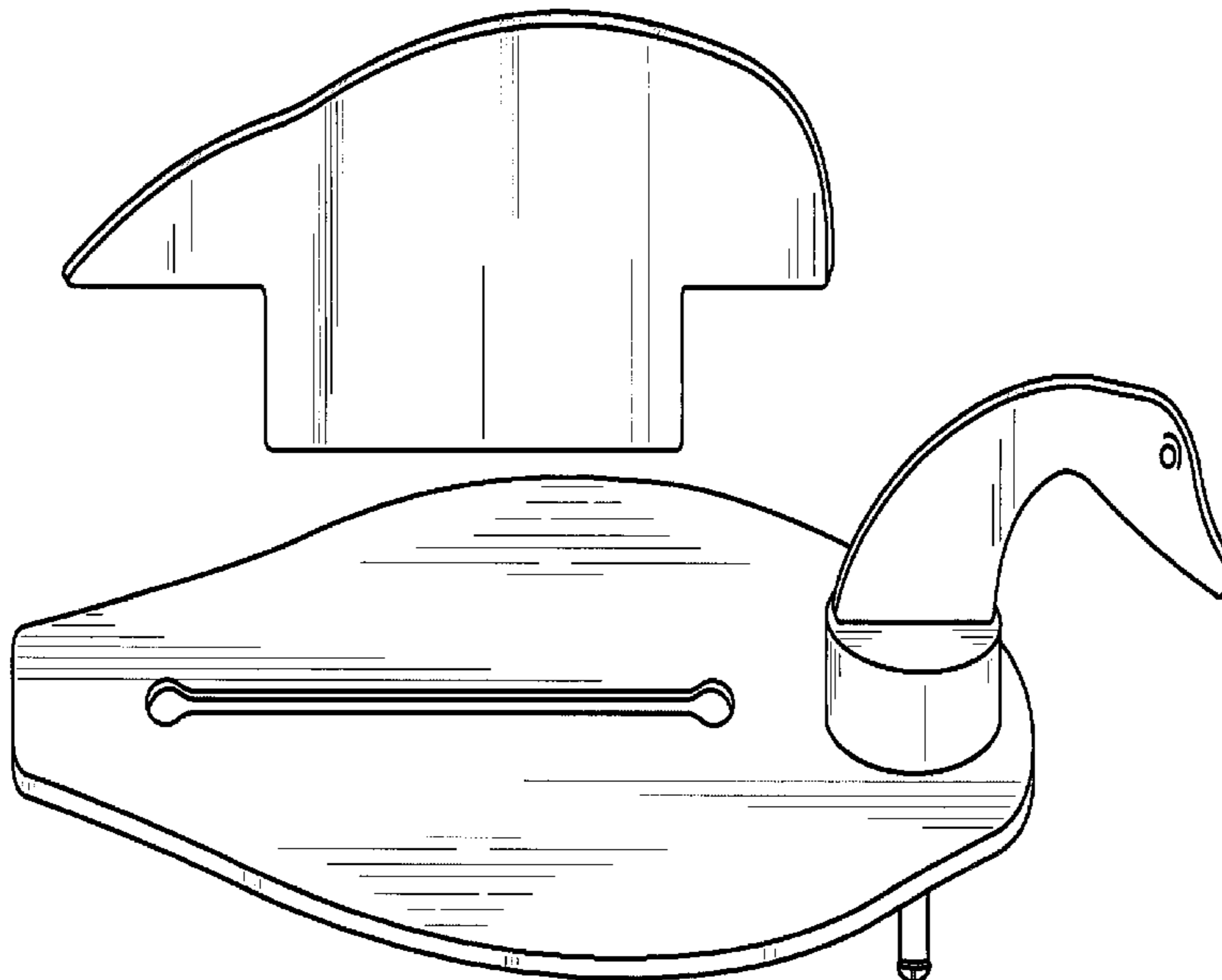
FIG. 6 is an assembled right side view of a first embodiment of a decoy according to the present design;

FIG. 7 is an assembled top view of a first embodiment of a decoy according to the present design;

FIG. 8 is an assembled bottom view of a first embodiment of a decoy according to the present design; and,

FIG. 9 is a left side view of a first embodiment of a decoy according to the present design, showing the head/neck of the decoy in various possible degrees of rotation; the elements shown in dashed lines are for illustration purposes only and form no part of the present invention.

1 Claim, 9 Drawing Sheets



(56)

References Cited

U.S. PATENT DOCUMENTS

D869,599 S 12/2019 Russell
10,721,927 B2 * 7/2020 Newman, Jr. A01M 31/06
10,863,735 B2 * 12/2020 Roessler A01M 31/06
D944,353 S 2/2022 Sprandel
2002/0162268 A1 11/2002 Fulcher

OTHER PUBLICATIONS

1930s Cedar Plank Wooden Duck . . . [https://www.chairish.com/
product/3010758/1930s-cedar-plank-wooden-duck-decoy](https://www.chairish.com/product/3010758/1930s-cedar-plank-wooden-duck-decoy) (Year: 1930).

* cited by examiner

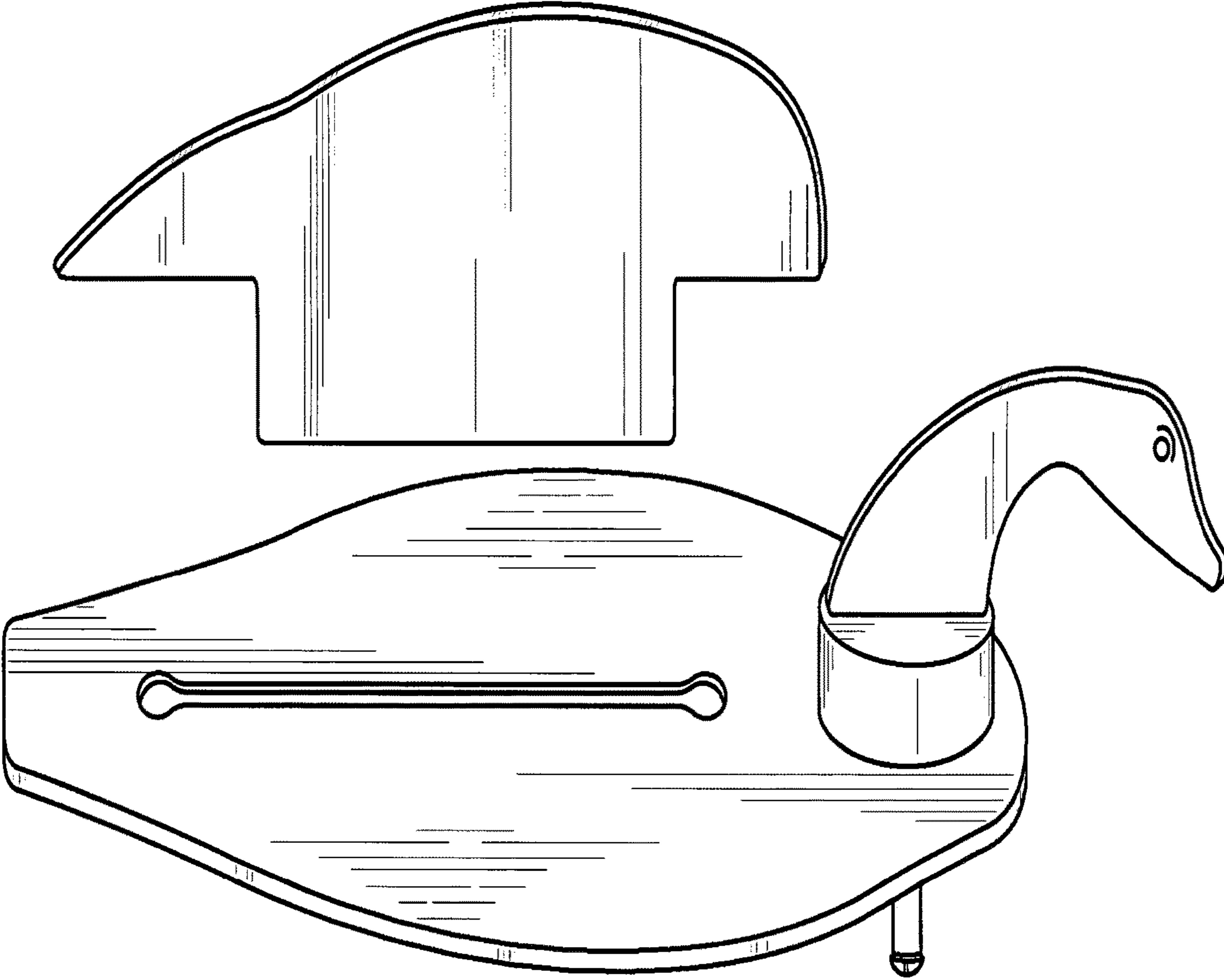


FIG. 1

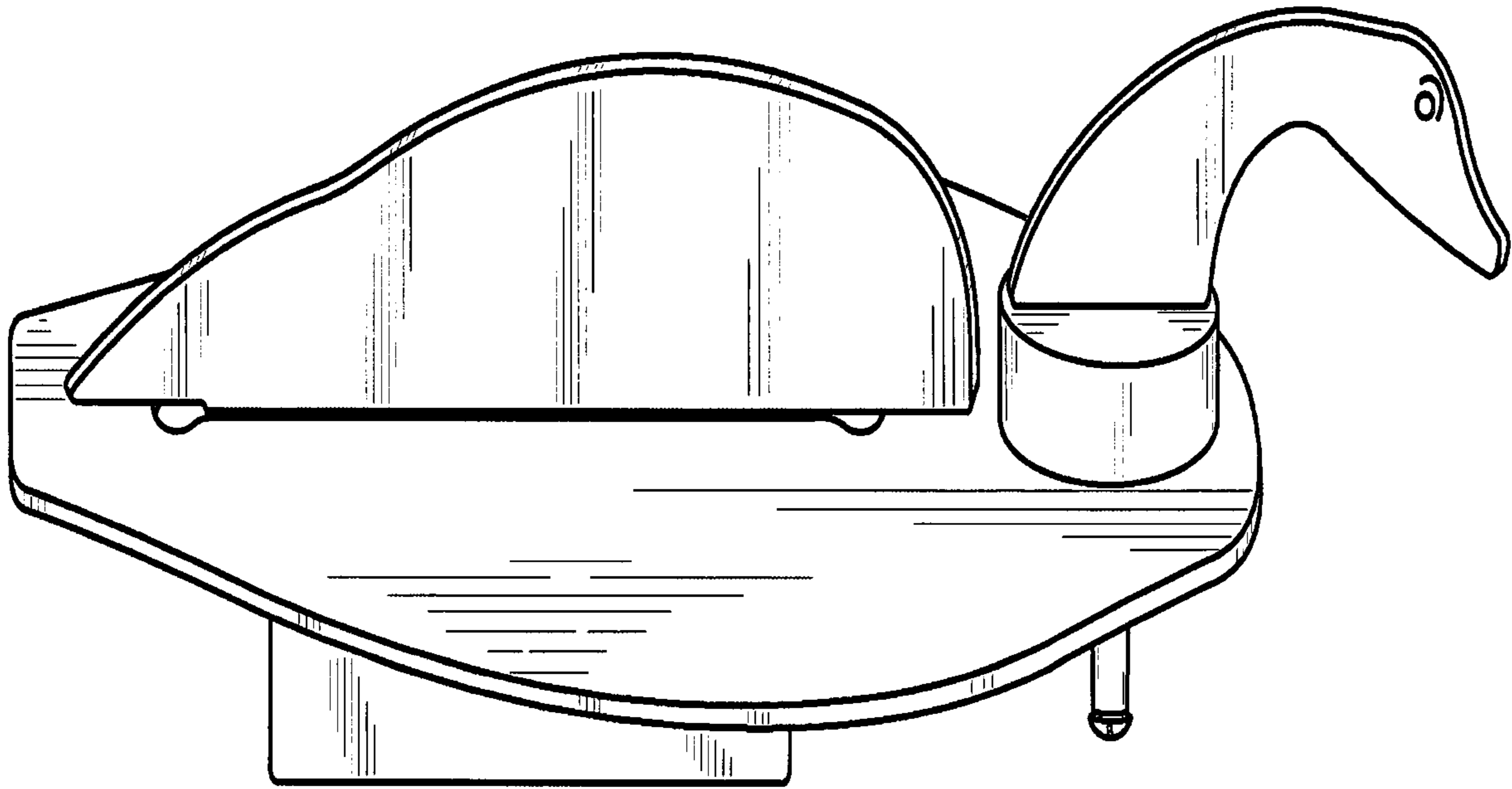


FIG. 2

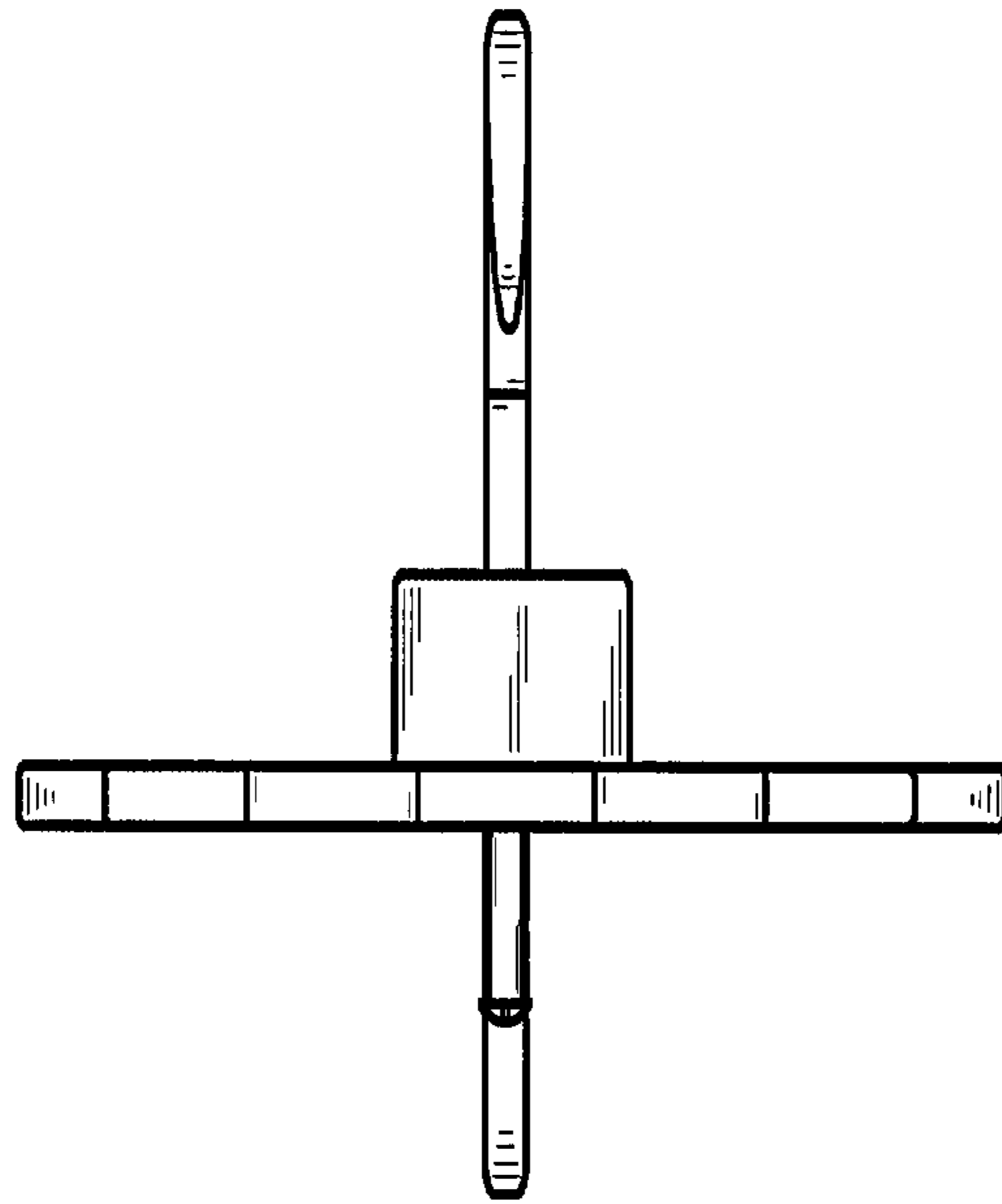


FIG. 3

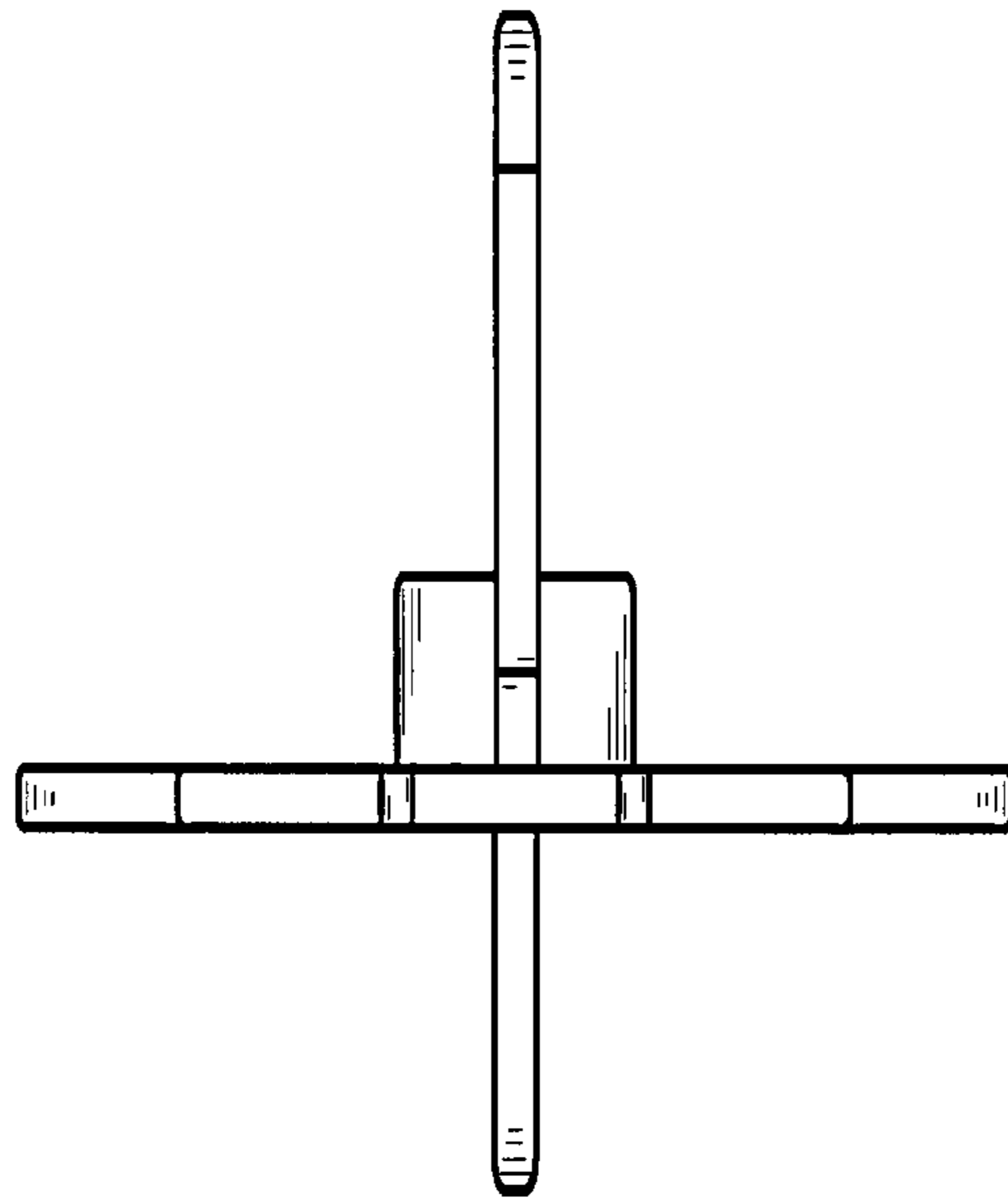


FIG. 4

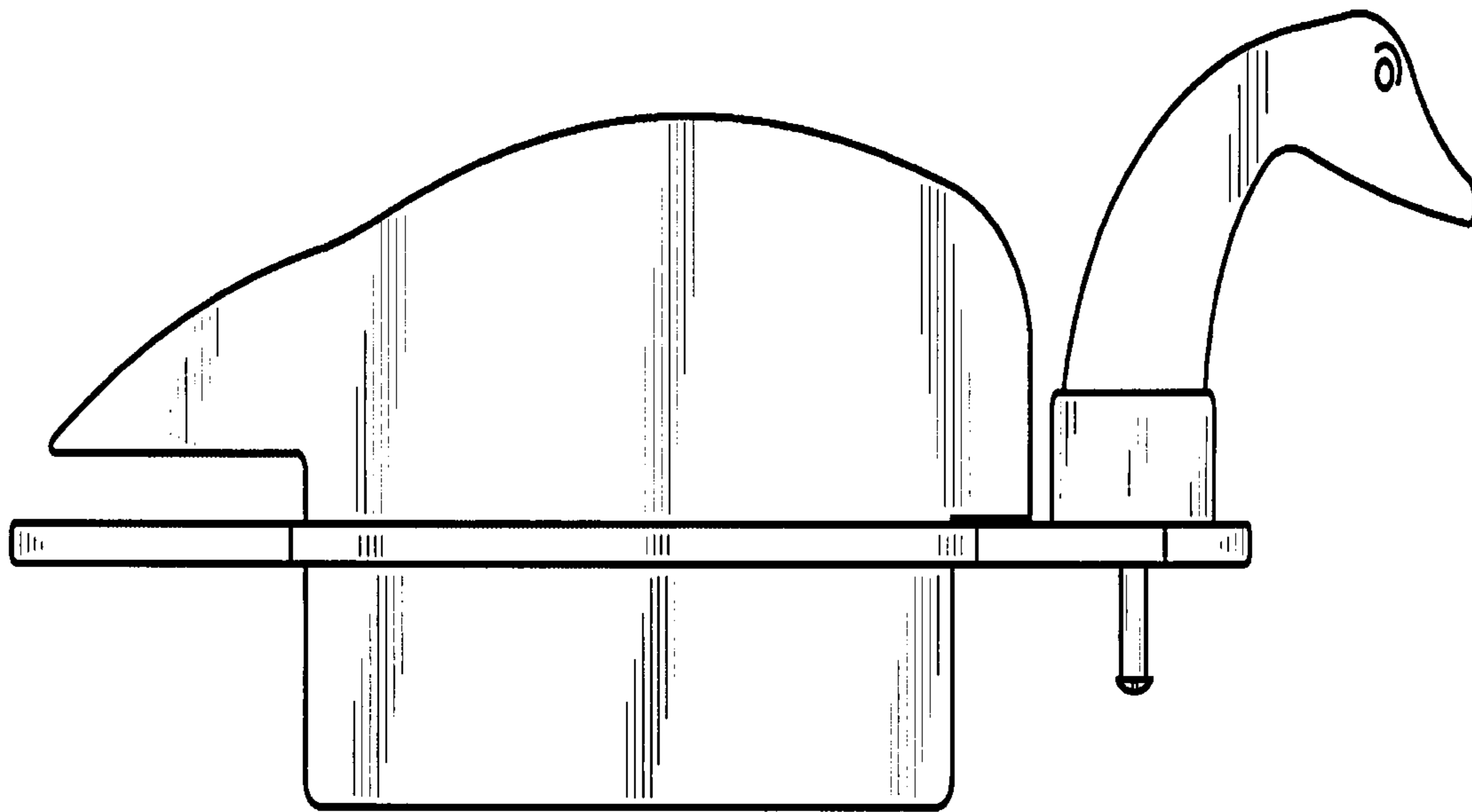


FIG. 5

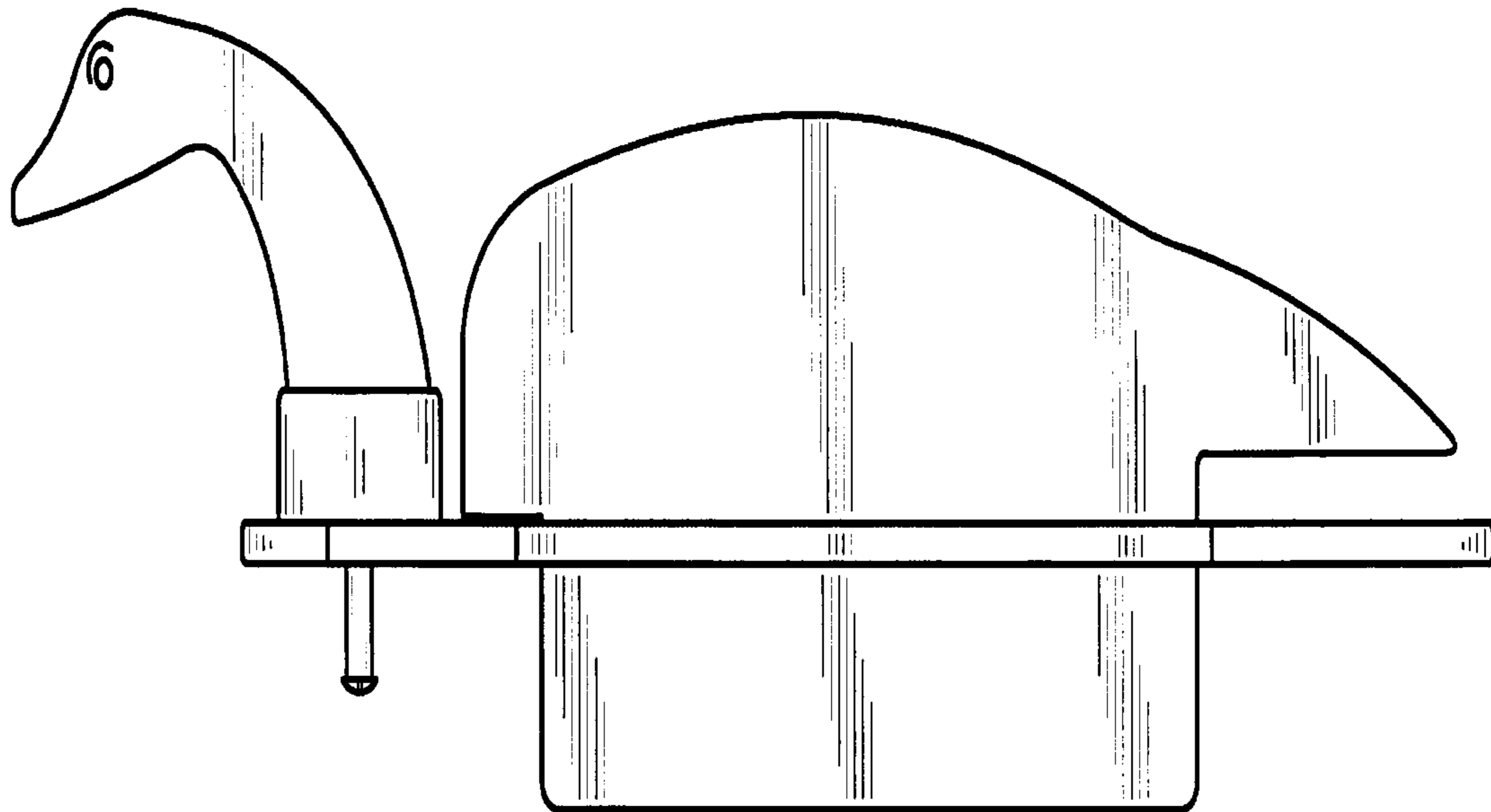


FIG. 6

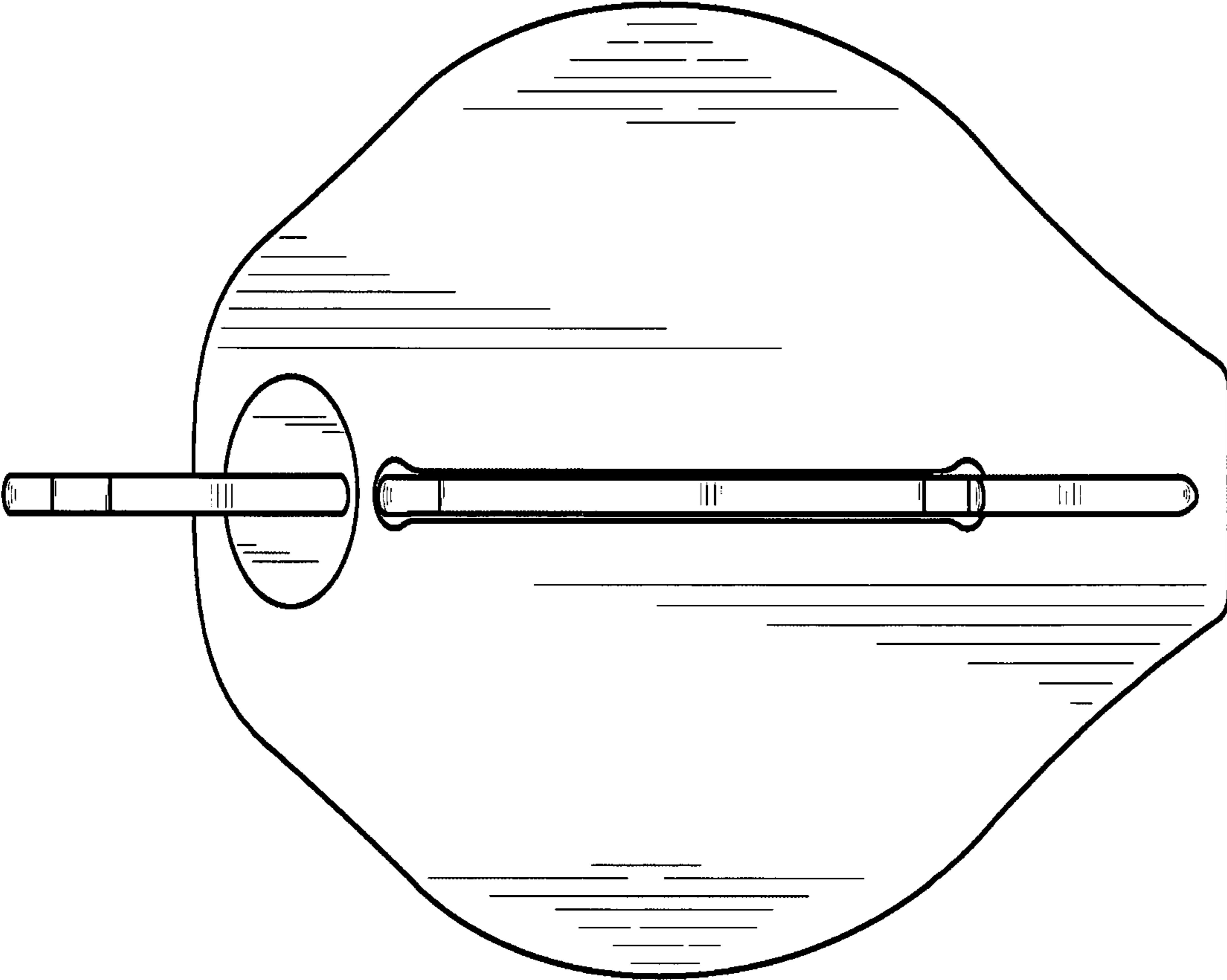


FIG. 7

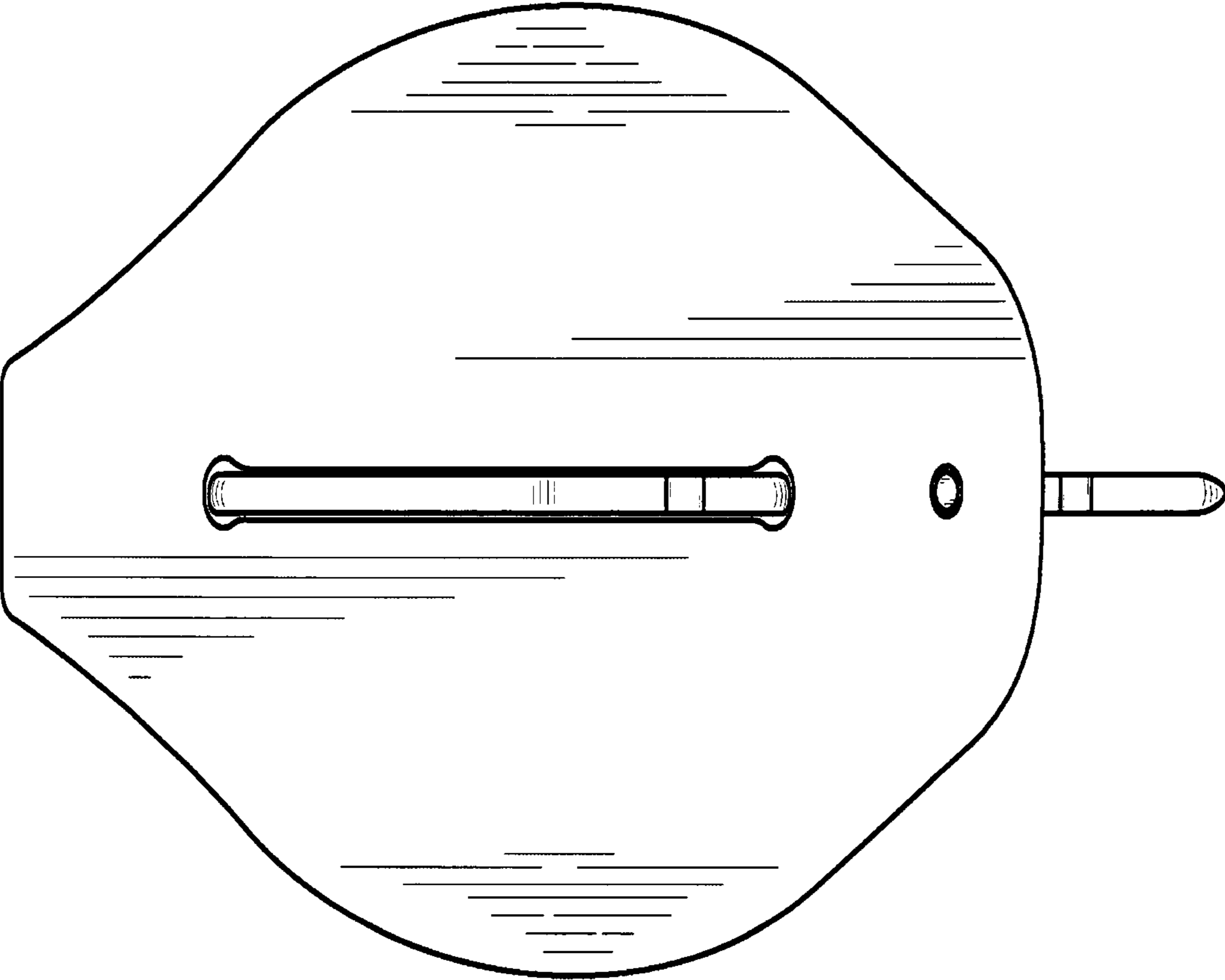


FIG. 8

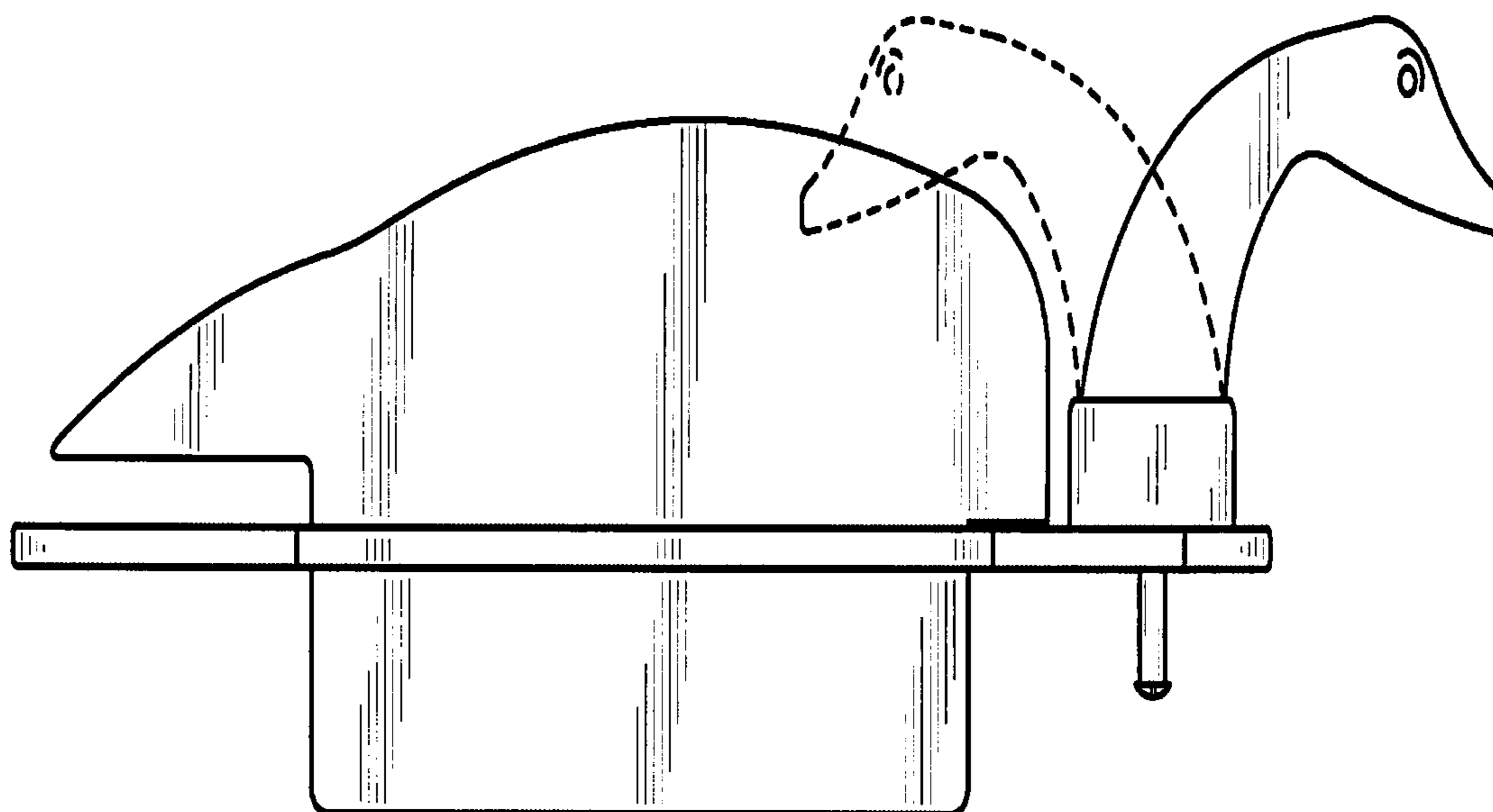


FIG. 9