



US00D980942S

(12) **United States Design Patent**
Xia

(10) **Patent No.:** **US D980,942 S**
(45) **Date of Patent:** **** Mar. 14, 2023**

(54) **ROACH TRAP**

(71) Applicant: **Yong Xia**, Suzhou (CN)

(72) Inventor: **Yong Xia**, Suzhou (CN)

(**) Term: **15 Years**

(21) Appl. No.: **29/865,035**

(22) Filed: **Jul. 2, 2022**

(51) **LOC (14) Cl.** **22-06**

(52) **U.S. Cl.**
USPC **D22/122**

(58) **Field of Classification Search**
USPC D22/119, 122; 43/58, 60, 62
CPC A01M 1/14; A01M 23/00; A01M 23/18;
A01M 31/002; A01K 63/006
See application file for complete search history.

(56) **References Cited**

U.S. PATENT DOCUMENTS

D243,765 S *	3/1977	Nakai	D22/122
D313,641 S *	1/1991	Caprioli	D22/119
D344,567 S *	2/1994	Teeples	D22/122
D478,959 S	8/2003	Garretson		
D888,166 S	6/2020	Henniger		

OTHER PUBLICATIONS

https://www.amazon.com/Roach-Traps-Killer-Cockroach-Indoor/product-reviews/B08G144QV5/ref=cm_cr_dp_d_show_all_btm?ie=UTF8&reviewerType=all_reviews (Year: 2021).
https://www.amazon.com/dp/B09W1ZW7KD/ref=sspa_dk_detail_0?psc=1&pd_rd_i=B09W1ZW7KD&pd_rd_w=4K6pW&content-id=amzn1.sym.dd2c6db7-6626-466d-bf04-9570e69a7df0&pf_rd_p=

dd2c6db7-6626-466d-bf04-9570e69a7df0&pf_rd_r=2M8D387Q4238BEK9GJZY&pd_rd_wg=XE1Jr&pd_rd_r=49a13679-0751-4c57-8af1-951c72a356e6&s=lawn-garden&spcsd=d2lkZ2V0TmFtZT1zcF9kZXRhaWxfdGhlbWF0aWM&smid=A38Y90K18VMFM8&spLa=ZW5jcnlwdGVkUXVhbGlmaWVyPUExOEZQVke0VDVZMFIUJmVuY3J5cHRIZElkPUEwMzMzOTI3MkhZOE9QUE1NNVpXOSZlbnNyeXB0ZWZWRBZEIkPUEwNzc3NTcxQjkyRVIIMTcwSzdBjndpZGdlE5hbWU9c3BfZGV0YWIsX3RoZW1hdGljJmFjdGlvbj1jbGlja1JIZGlyZWNoJmRvTm90TG9nQ2xpY2s9dHJ1ZQ== (NPL Year* 2022).
<https://www.amazon.com/UCatch-Eliminate-Cockroaches-Designed-Roaches/dp/B09VTCMJWH>, from Amazon.com, saved on Jun. 28, 2022.
<https://www.amazon.com/Roach-Traps-Killer-Cockroach-Indoor/dp/B08G144QV5>, from Amazon.com, saved on Jun. 28, 2022.

* cited by examiner

Primary Examiner — Catherine R Oliver-Garcia
(74) *Attorney, Agent, or Firm* — Vladimir Postnikov

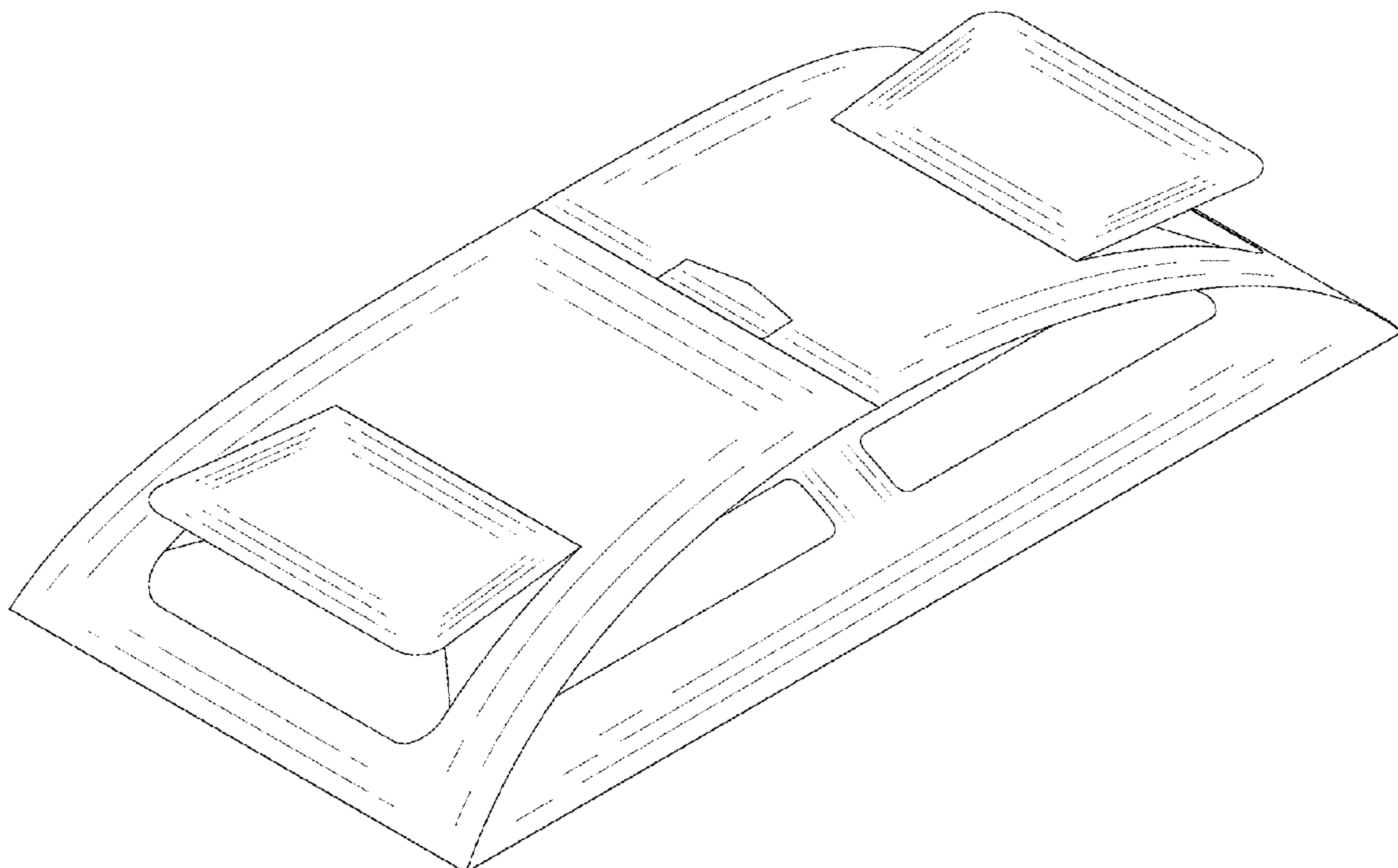
(57) **CLAIM**

The ornamental design for a roach trap, as shown and described.

DESCRIPTION

FIG. 1 is a front elevation view of a roach trap showing the new design;
FIG. 2 is a back elevation view thereof;
FIG. 3 is a left-side view thereof;
FIG. 4 is a right-side view thereof;
FIG. 5 is a top plan view thereof;
FIG. 6 is a bottom plan view thereof;
FIG. 7 is a top-left perspective view thereof; and,
FIG. 8 is a back, left-side and top perspective view thereof.

1 Claim, 8 Drawing Sheets



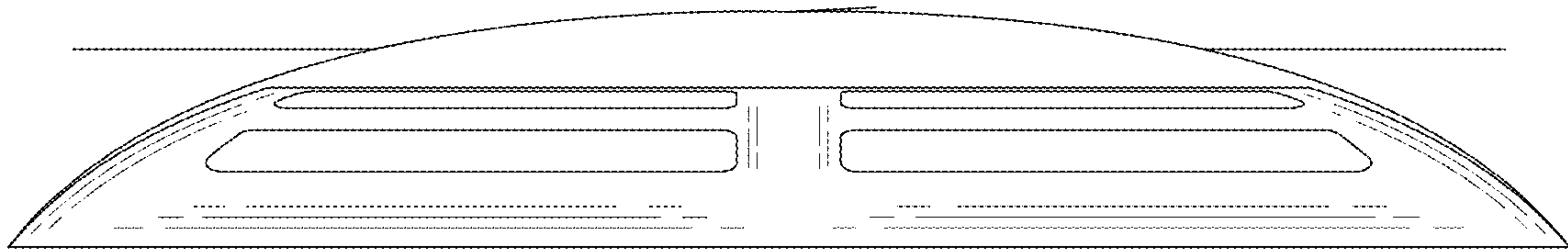


FIG. 1

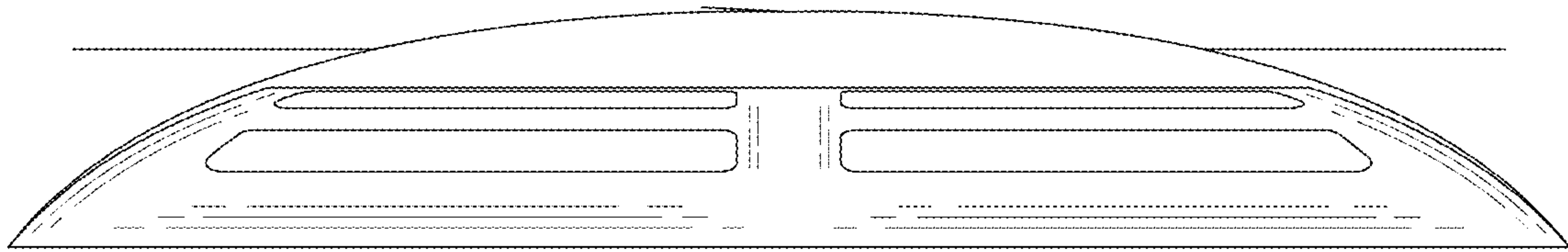


FIG. 2

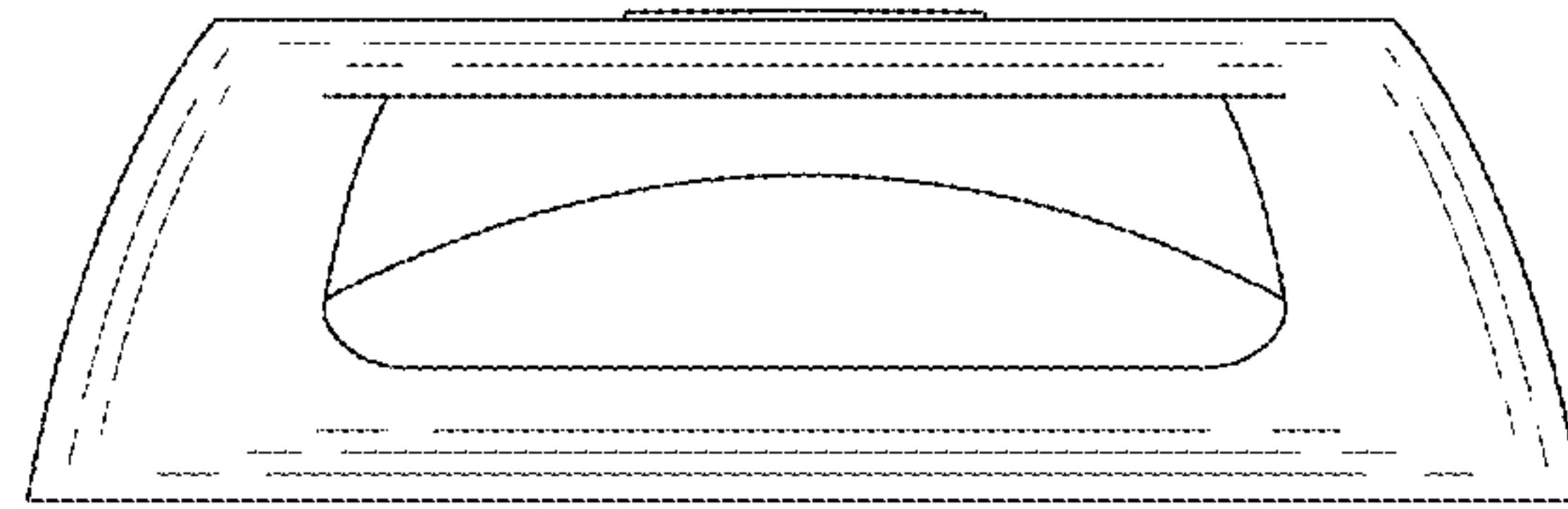


FIG. 3

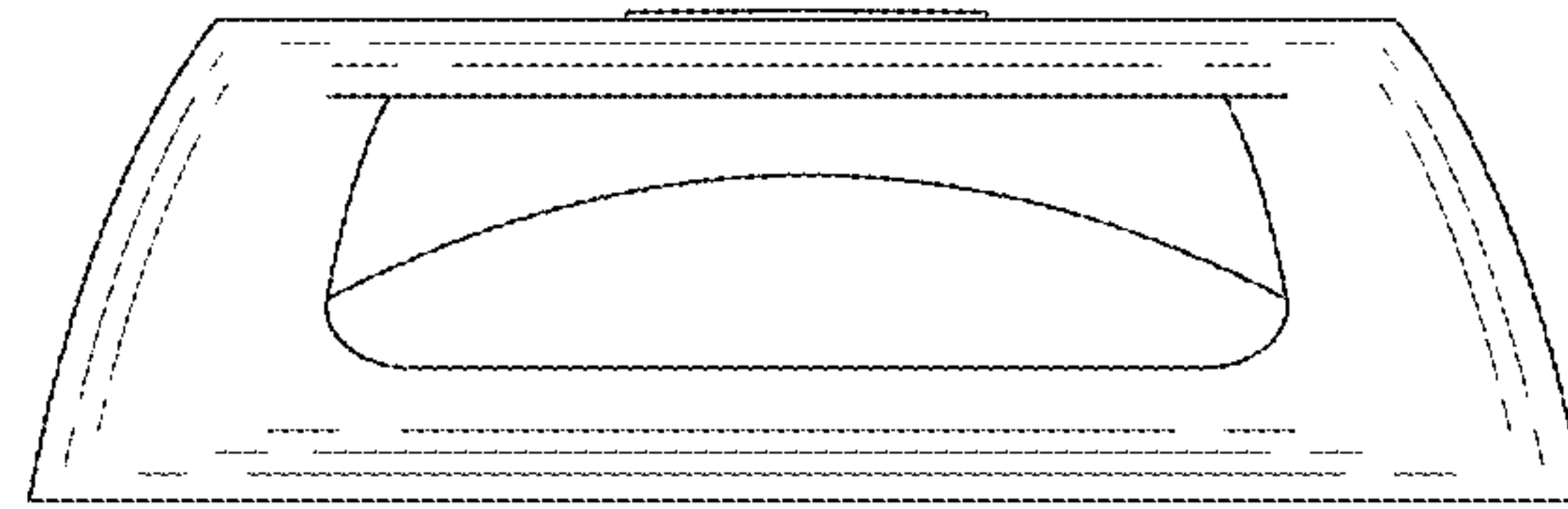


FIG. 4

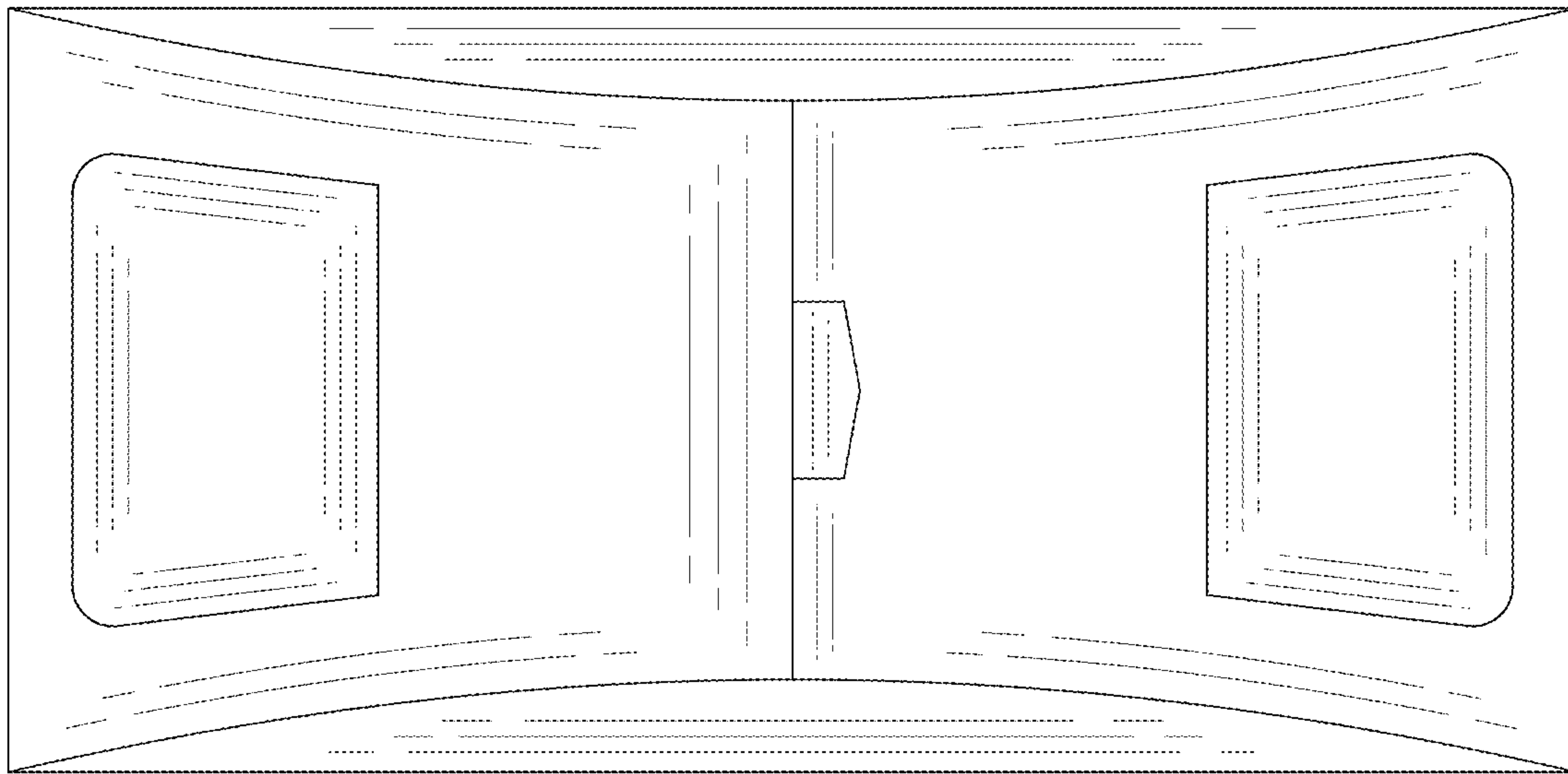


FIG. 5

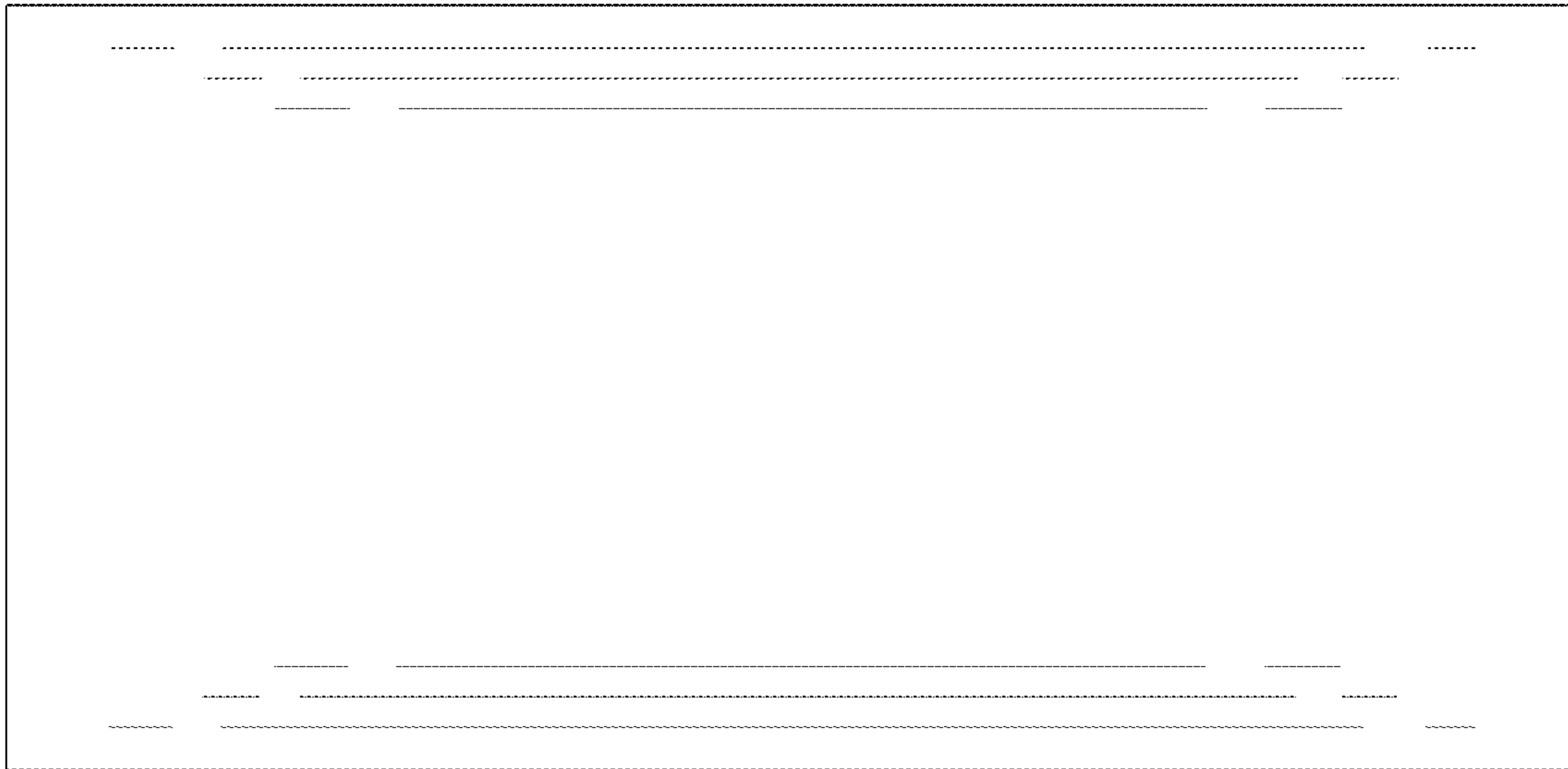


FIG. 6

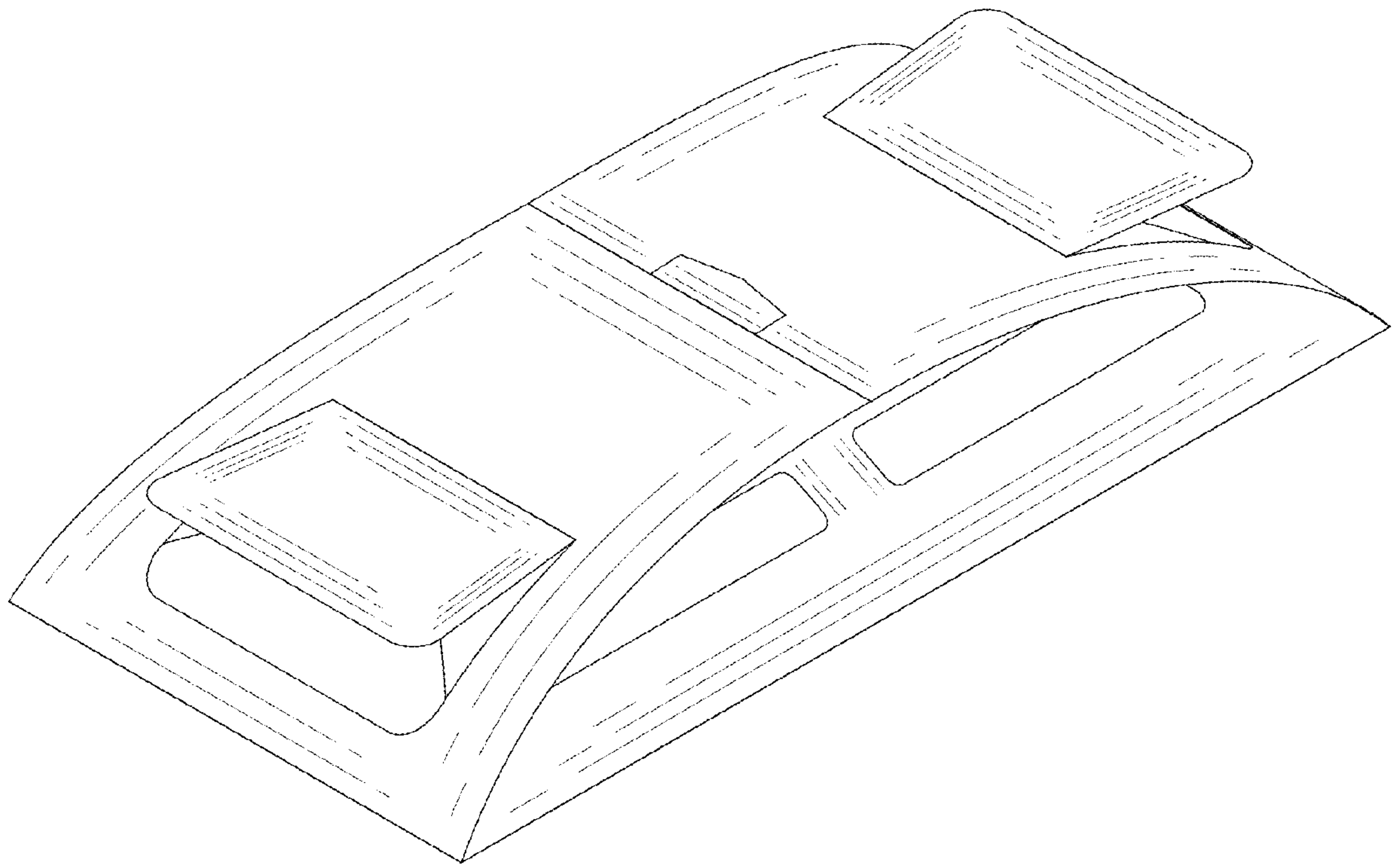


FIG. 7

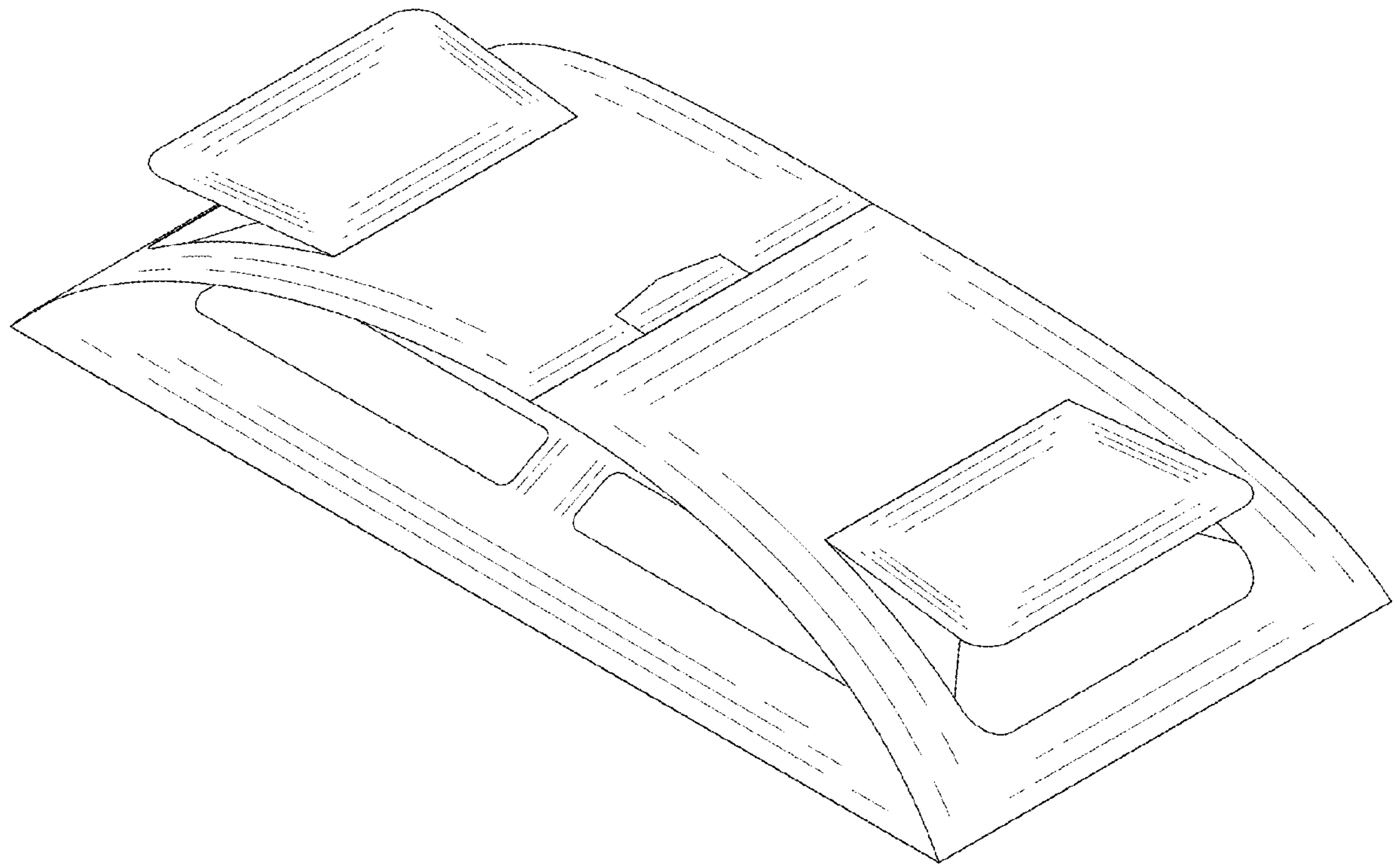


FIG. 8