



US00D980939S

(12) **United States Design Patent** (10) **Patent No.:** **US D980,939 S**
Borsanyi et al. (45) **Date of Patent:** **** Mar. 14, 2023**

(54) **BALL GAME TABLE**
(71) Applicant: **Teqball Holding S.à.r.l.**, Luxembourg (LU)
(72) Inventors: **Gabor Borsanyi**, Luxembourg (LU); **Viktor Denes Huszar**, Luxembourg (LU); **Gyorgy Zoltan Gattyán**, Luxembourg (LU)
(73) Assignee: **TEQBALL HOLDING S.À.R.L.**, Luxembourg (LU)

5,375,837 A 12/1994 Moreau
5,398,926 A 3/1995 Skinner
5,487,541 A 1/1996 Dictor
5,531,449 A 7/1996 Denton
5,795,252 A 8/1998 Crucet
6,213,900 B1 4/2001 Steyn et al.
6,379,273 B1 4/2002 Takacs
6,585,610 B2 7/2003 Sompolinsky
D515,841 S * 2/2006 Hsu D6/691.6
D517,620 S 3/2006 Mazloompour
D538,355 S * 3/2007 Tyson D21/317
(Continued)

(**) Term: **15 Years**
(21) Appl. No.: **29/829,051**
(22) Filed: **Mar. 2, 2022**

FOREIGN PATENT DOCUMENTS

DE 20301215 U1 4/2003
FR 2606653 A1 5/1988
(Continued)

Related U.S. Application Data

(62) Division of application No. 35/511,222, filed on Dec. 3, 2020 (U.S. filing date under 35 U.S.C. 384), and having an international filing date of Dec. 3, 2020.
(51) **LOC (14) Cl.** **21-02**
(52) **U.S. Cl.**
USPC **D21/799.2**
(58) **Field of Classification Search**
USPC D6/641, 656–656.19, 685, 688.1, D6/691–691.9; D21/334, 335, 363, 365, D21/385, 397, 522, 782, 783, 784, 799.2
CPC A47B 3/00–0918; A47B 9/00; A47B 9/003
See application file for complete search history.

OTHER PUBLICATIONS

Teqball: It's Soccer And Ping Pong In One Cool Package, Jun. 24, 2014, 3 pages. <http://www.instash.com/teqball-its-soccer-and-ping-pong-in-one-cool-package>.
(Continued)

Primary Examiner — Joseph Kukella
(74) *Attorney, Agent, or Firm* — DLA Piper LLP US

(56) **References Cited**

U.S. PATENT DOCUMENTS

2,632,546 A 3/1953 Mott
3,992,006 A 11/1976 Barlow
4,119,838 A 10/1978 Genuit
4,421,318 A 12/1983 Sverdlik et al.
5,366,427 A 11/1994 Price, II

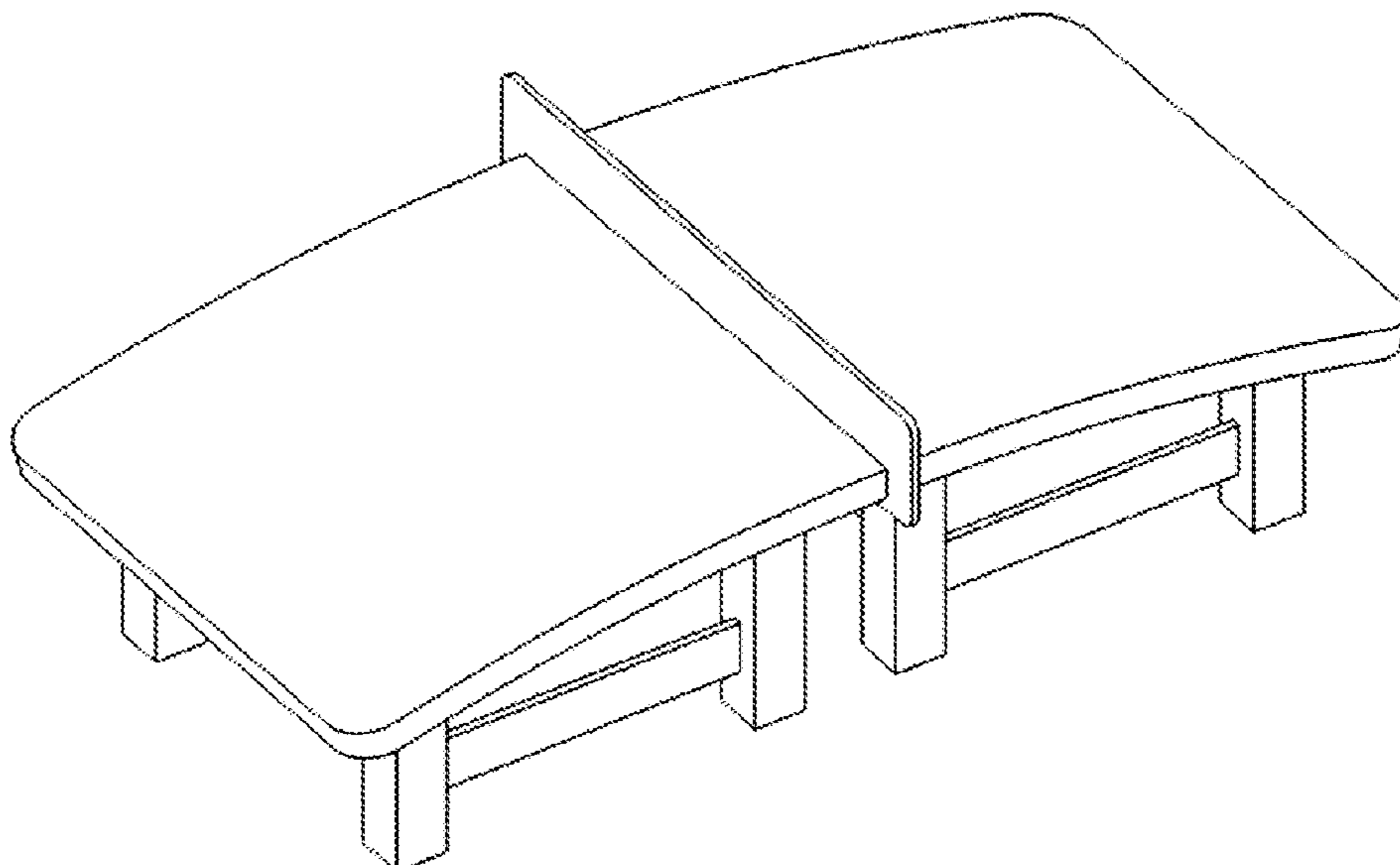
(57) **CLAIM**

We claim the ornamental design for a ball game table, as shown and described.

DESCRIPTION

FIG. 1 is a front elevational of a ball game table showing our new design.
FIG. 2 is a left elevational view thereof;
FIG. 3 is a top elevational view thereof;
FIG. 4 is a bottom elevational view thereof; and,
FIG. 5 is a front perspective view thereof.

1 Claim, 5 Drawing Sheets



(56)

References Cited

U.S. PATENT DOCUMENTS

7,500,671 B2 3/2009 Narus et al.
 8,007,378 B2 8/2011 Vallon et al.
 8,091,490 B2* 1/2012 Branch A47B 3/087
 108/169
 8,182,374 B1 5/2012 Copeland
 D713,894 S * 9/2014 Lopez D21/397
 D754,797 S * 4/2016 Fissell D21/397
 9,421,428 B1 8/2016 Dobush
 9,675,860 B2* 6/2017 Borsányi A63B 67/04
 9,711,061 B2 7/2017 Chun
 9,763,513 B2* 9/2017 Cai A47B 3/0912
 D809,070 S * 1/2018 Fissell D21/397
 D823,965 S * 7/2018 Huszár D21/799.2
 D836,726 S * 12/2018 Wasserman A47B 3/087
 D21/397
 D844,353 S * 4/2019 Horowitz D6/687
 D854,622 S * 7/2019 Fissell D21/397
 D867,798 S * 11/2019 Clegg D6/707.26
 D868,919 S * 12/2019 Huszár D21/799.2
 D910,765 S * 2/2021 Delgado A63B 67/04
 D21/397
 D952,044 S * 5/2022 Huszár D21/397
 11,324,309 B2* 5/2022 Vander Veen A47B 3/0815

FOREIGN PATENT DOCUMENTS

GB 190125767 A 10/1902
 HU 1917 U 12/2000
 HU 2188 U 12/2001
 HU 222429 B1 7/2003
 WO WO9907447 A1 2/1999

OTHER PUBLICATIONS

Teqball Reinvents the Game of Football with new Equipment that Objectively Measures Players' Skill Levels; Pre-3rders Available Through Kickstarter Campaign, Jun. 23, 2014, 4 pages. <https://www.prnewswire.com/news-releases/teqball-reinvents-the-game-of-football-with-new-equipment-that-objectively-measures-players-skill-levels-pre-orders-available-through-kickstarter-campaign-264223861.html>.
 Teqball—An Awesome Combination of Football and Table Tennis, Jul. 9, 2014, 8 pages. <http://www.odditycentral.com/news/teqball-an-awesome-combination-of-football-and-table-tennis.html>.

* cited by examiner

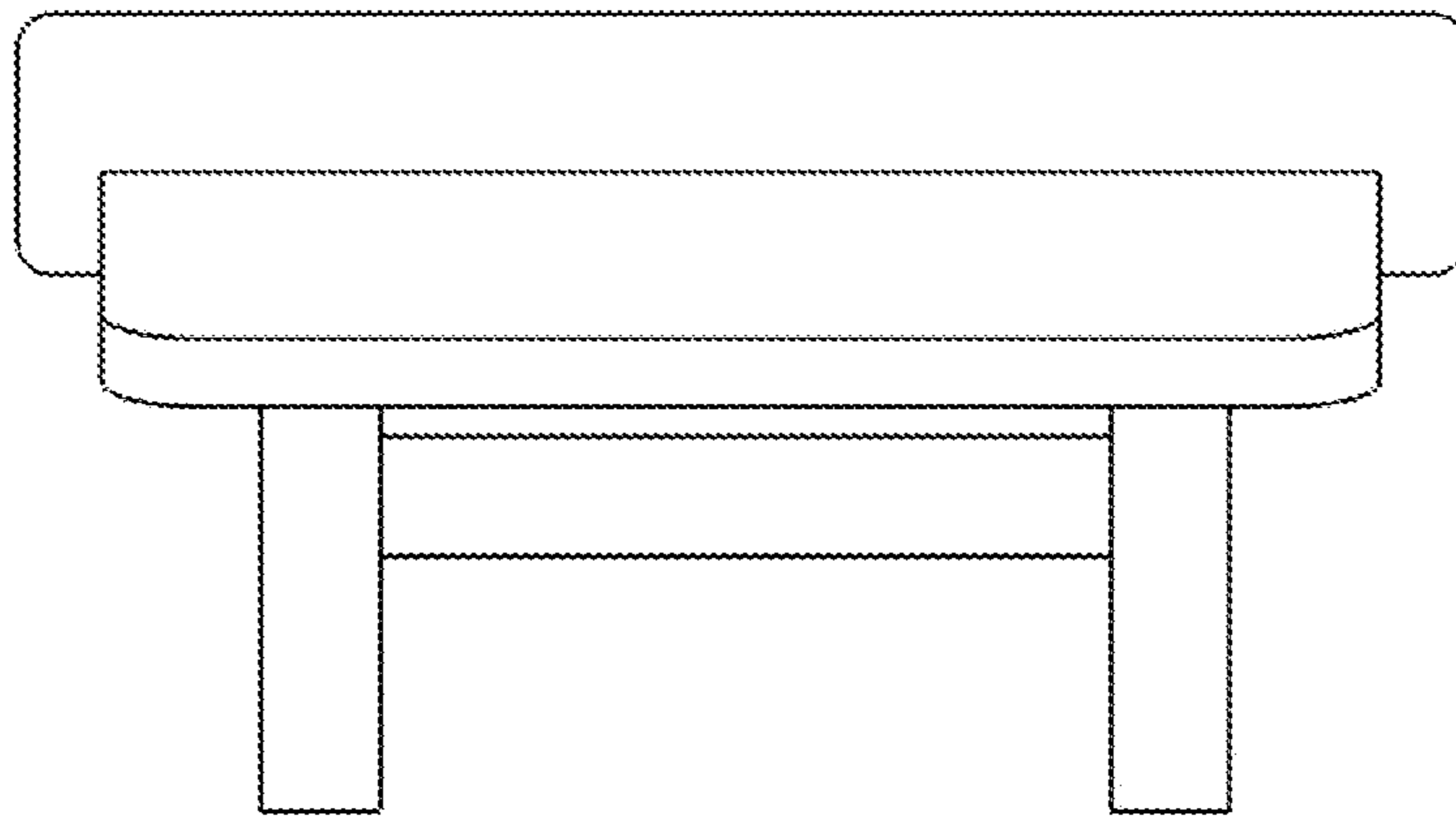


FIGURE 1

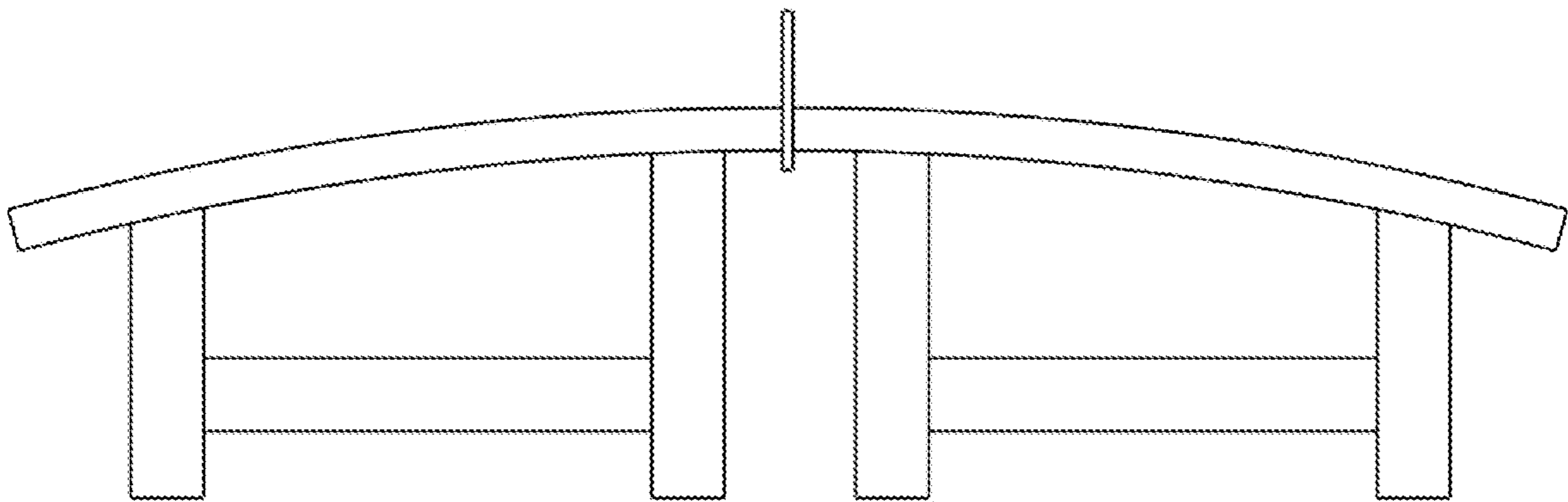


FIGURE 2

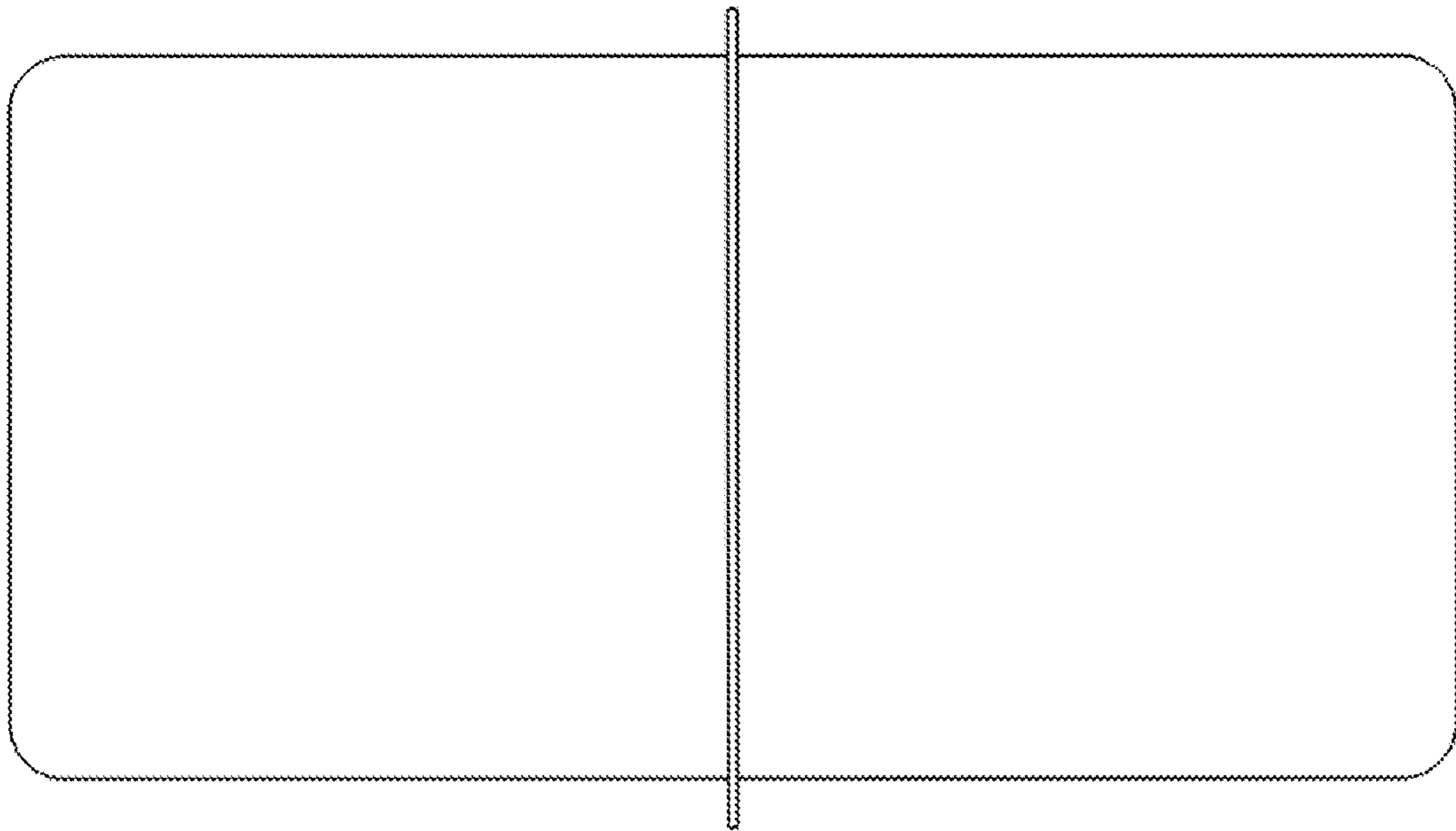


FIGURE 3

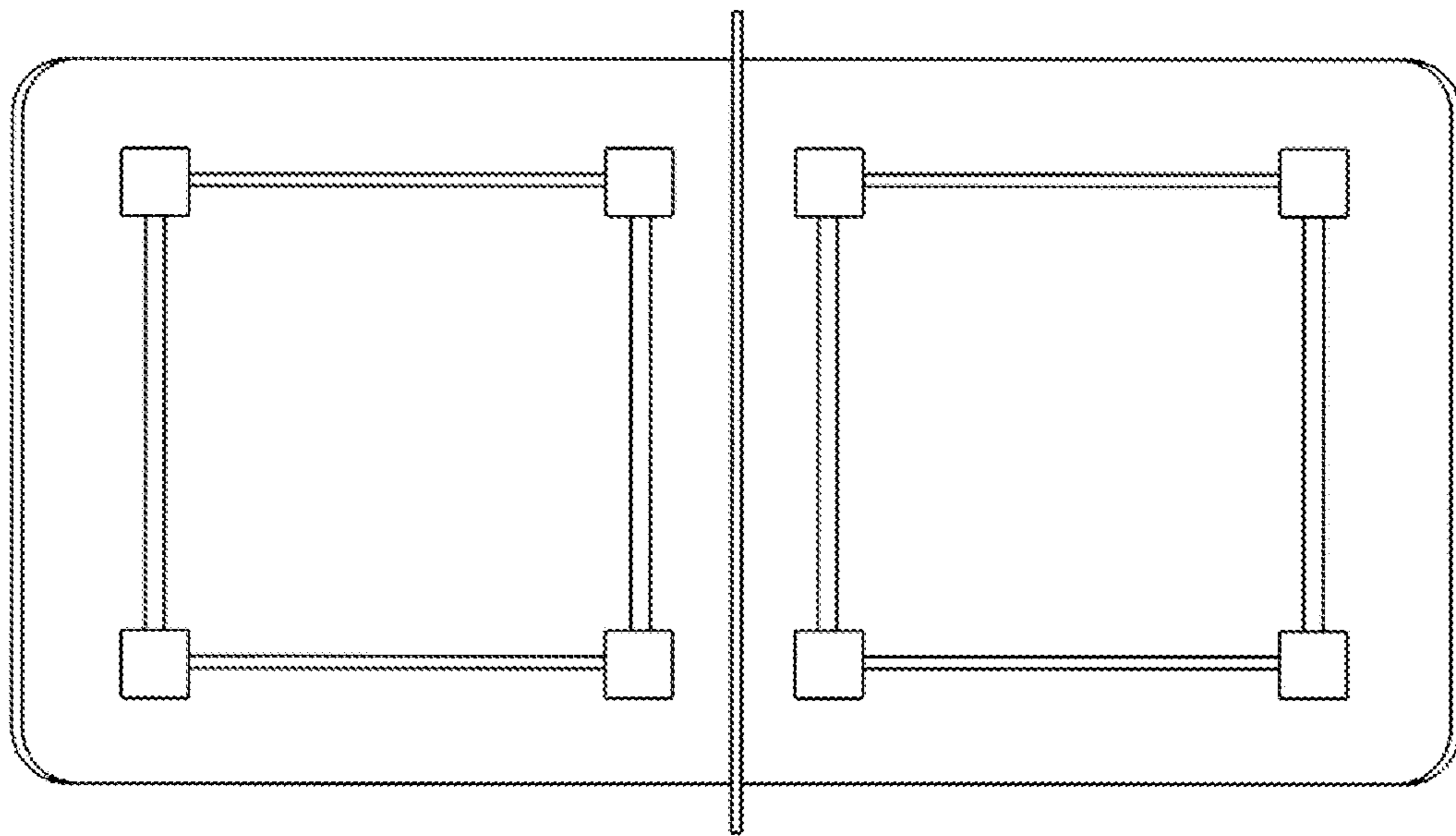


FIGURE 4

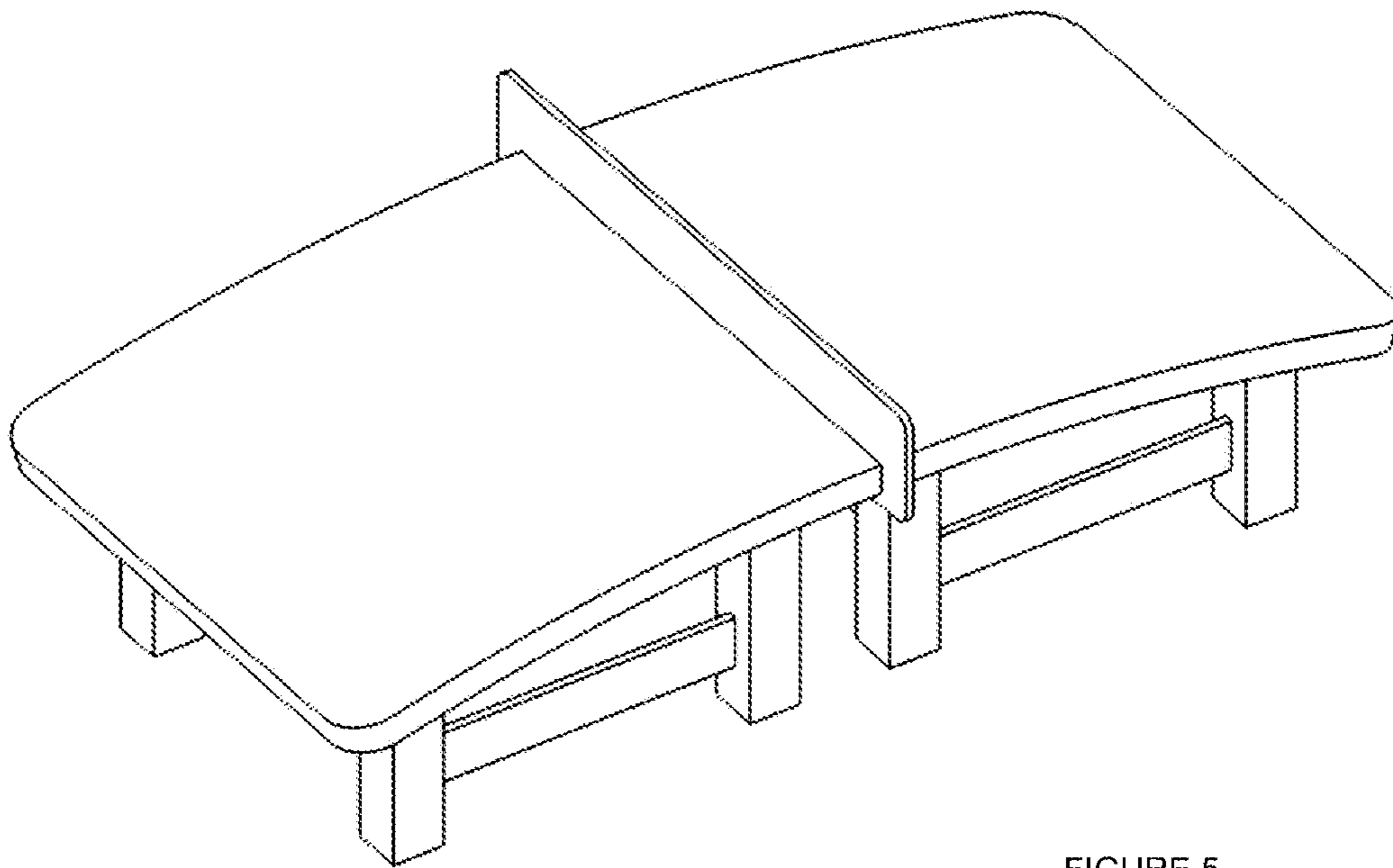


FIGURE 5