



US00D980938S

(12) **United States Design Patent**
Blocker

(10) **Patent No.:** **US D980,938 S**
(45) **Date of Patent:** **** Mar. 14, 2023**

(54) **ROLLER SKATE TOE STOP**

FOREIGN PATENT DOCUMENTS

(71) Applicant: **ROLLERSTUFF, LLC**, Rockwall, TX
(US)

CN 201730511448 * 6/2018
CN 202130375017.6 * 6/2021

(72) Inventor: **Lana H. Blocker**, Rockwall, TX (US)

OTHER PUBLICATIONS

(73) Assignee: **Rollerstuff, LLC**, Rockwall, TX (US)

Etsy Website, Twinkle Toes Star Toe Stop, Earliest Comment Date: Jul. 19, 2020, [Website Visited on Jul. 5, 2022], Available on the internet URL <https://www.etsy.com/listing/744723424/twinkle-toes-star-toe-stops-paul-stanley> (Year: 2020).*

(**) Term: **15 Years**

* cited by examiner

(21) Appl. No.: **29/755,581**

(22) Filed: **Oct. 21, 2020**

Primary Examiner — S. Bryan Reinholdt, Jr.

(51) **LOC (14) Cl.** **21-02**

Assistant Examiner — James T Tyree

(52) **U.S. Cl.**
USPC **D21/776**; D21/771

(74) *Attorney, Agent, or Firm* — Smith IP Services, P.C.

(58) **Field of Classification Search**
USPC D21/776, 762; D8/305; D11/133;
D24/102

(57) **CLAIM**

The ornamental design for a roller skate toe stop, as shown and described.

CPC A63C 3/00; A63C 3/12; A63C 3/04; A63C
17/0006; A63C 17/0013; A63C 17/002

DESCRIPTION

See application file for complete search history.

FIG. 1 is a rear perspective view of a roller skate toe stop showing my new design in a use configuration with environment.

(56) **References Cited**

U.S. PATENT DOCUMENTS

2,315,342	A *	3/1943	Lieberman	A63C 17/14 280/11.209
2,744,759	A *	5/1956	Sternbergh	A63C 17/14 280/11.209
4,201,395	A	5/1980	Matejec et al.		
4,314,707	A	2/1982	Welch		
D364,437	S *	11/1995	Pratt	D21/776
D379,395	S	5/1997	Aird		
D446,903	S *	8/2001	Pavan	D01/106
D462,898	S *	9/2002	Weinstock	D09/331
D495,117	S *	8/2004	Dustin	D11/121
D531,247	S *	10/2006	Milligan	D21/776
D867,505	S *	11/2019	Quinlan	D21/776

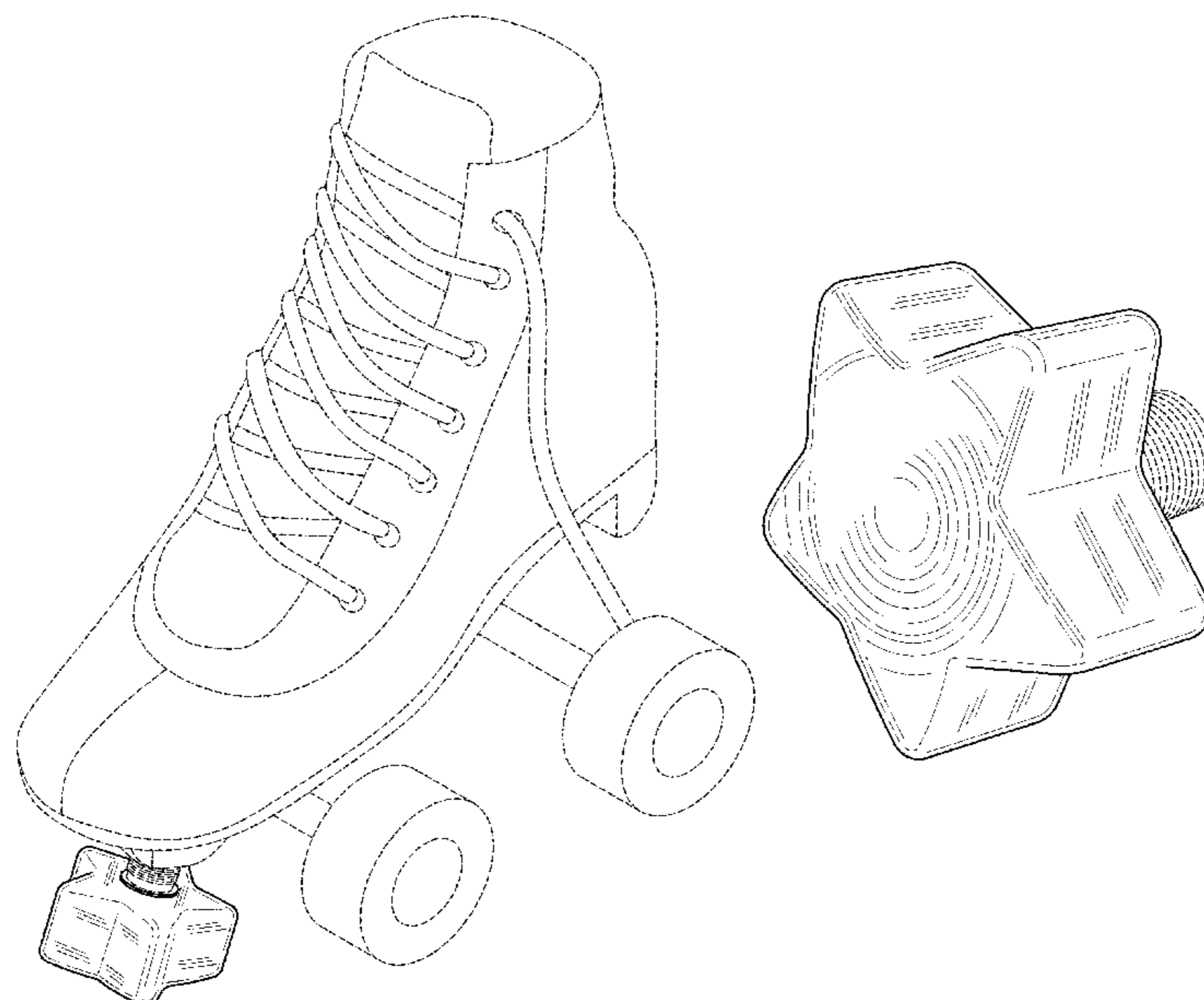
FIG. 2 is a front perspective view of the roller skate toe stop. FIG. 3 is a front elevational view of the roller skate toe stop. FIG. 4 is a rear elevational view of the roller skate toe stop. FIG. 5 is a right side elevational view of the roller skate toe stop.

FIG. 6 is a left side elevational view of the roller skate toe stop.

FIG. 7 is a top view of the roller skate toe stop; and, FIG. 8 is a bottom view of the roller skate toe stop.

The broken lines in FIG. 1 depict the environment of a roller skate that forms no part of the claimed design. The broken lines in FIGS. 1, 2, 4, 5, 6, 7 and 8 depict threading portions of the roller skate toe stop that form no part of the claimed design.

1 Claim, 5 Drawing Sheets



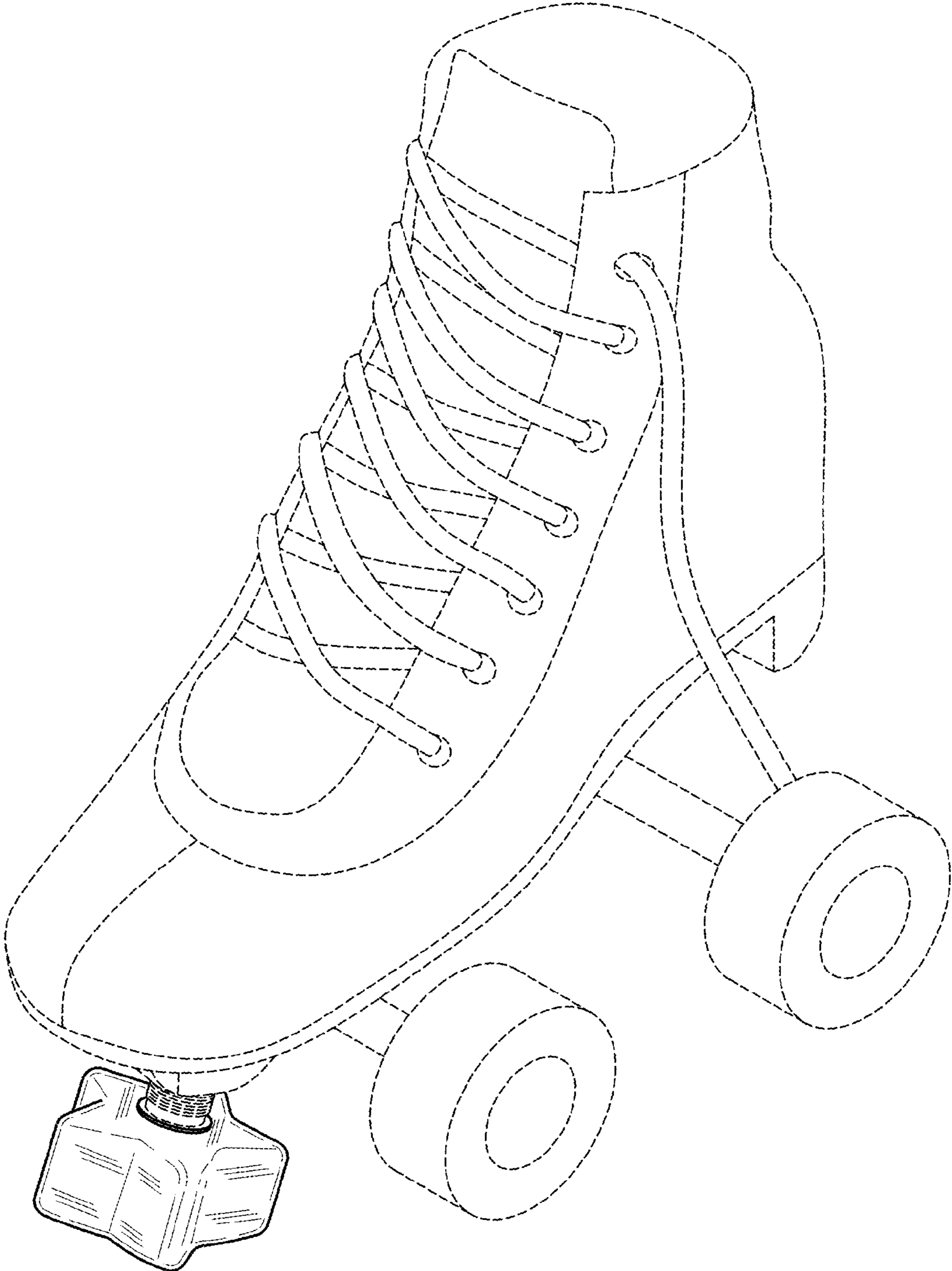


FIG. 1

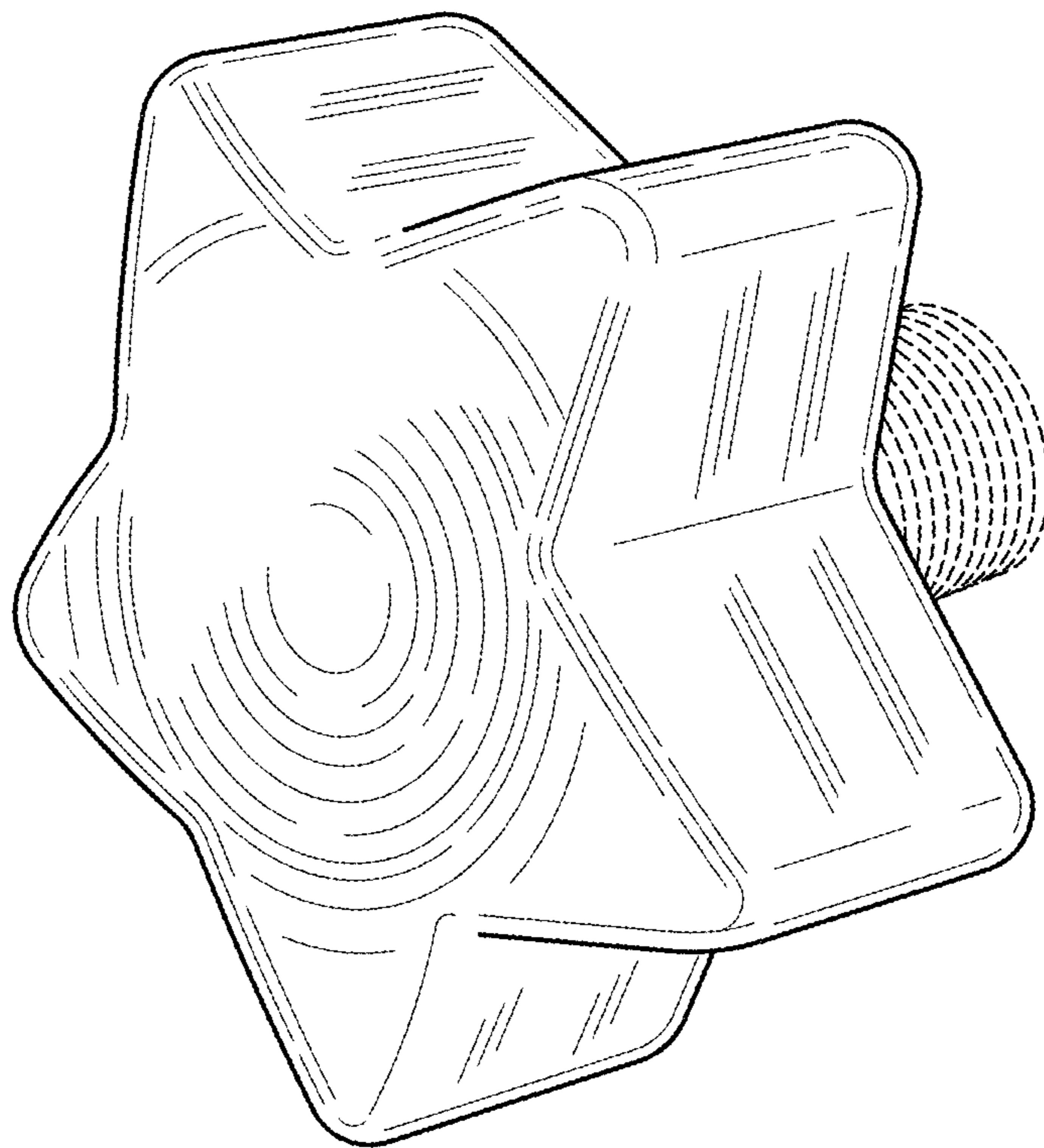


FIG.2

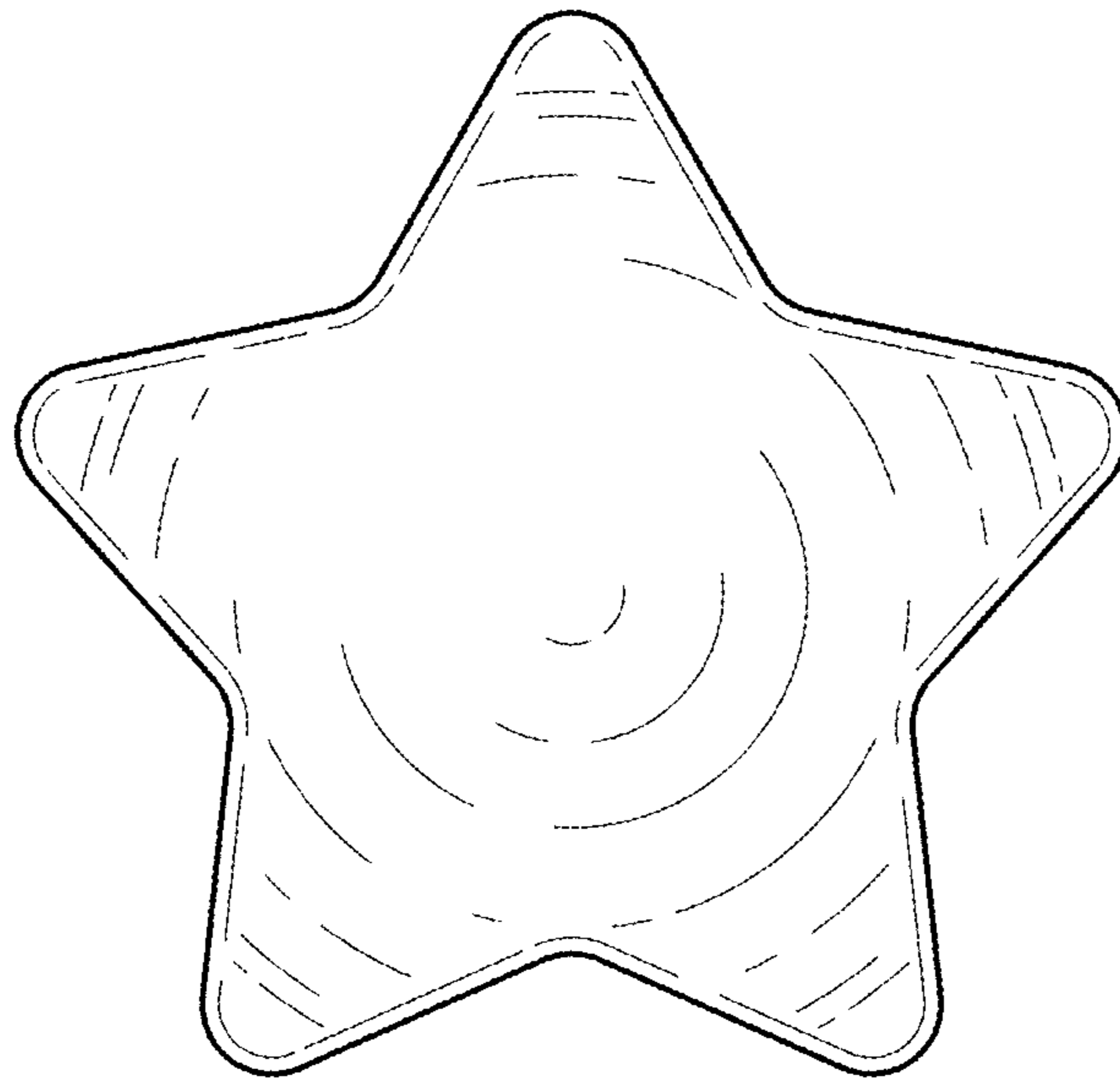


FIG.3

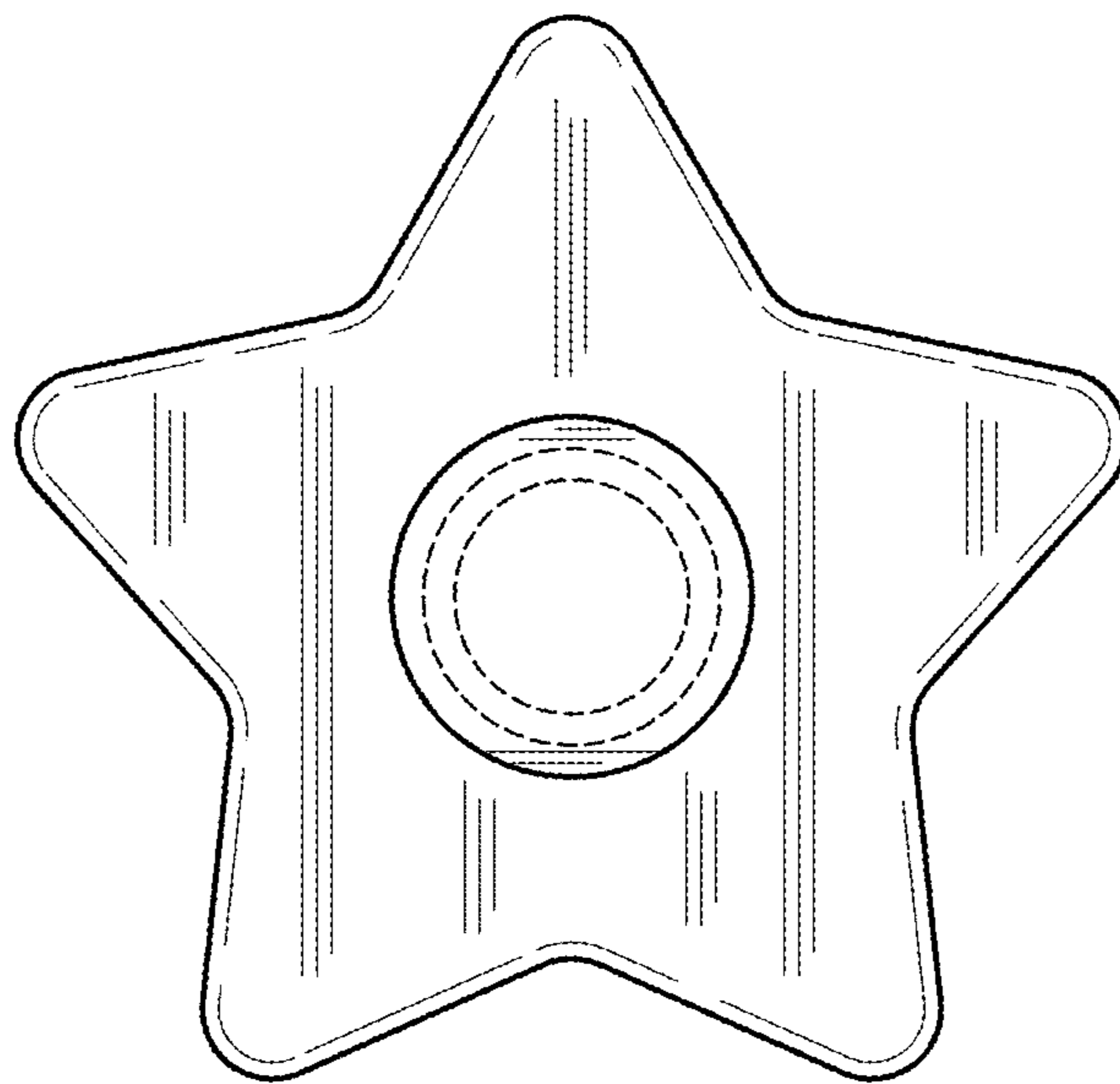


FIG.4

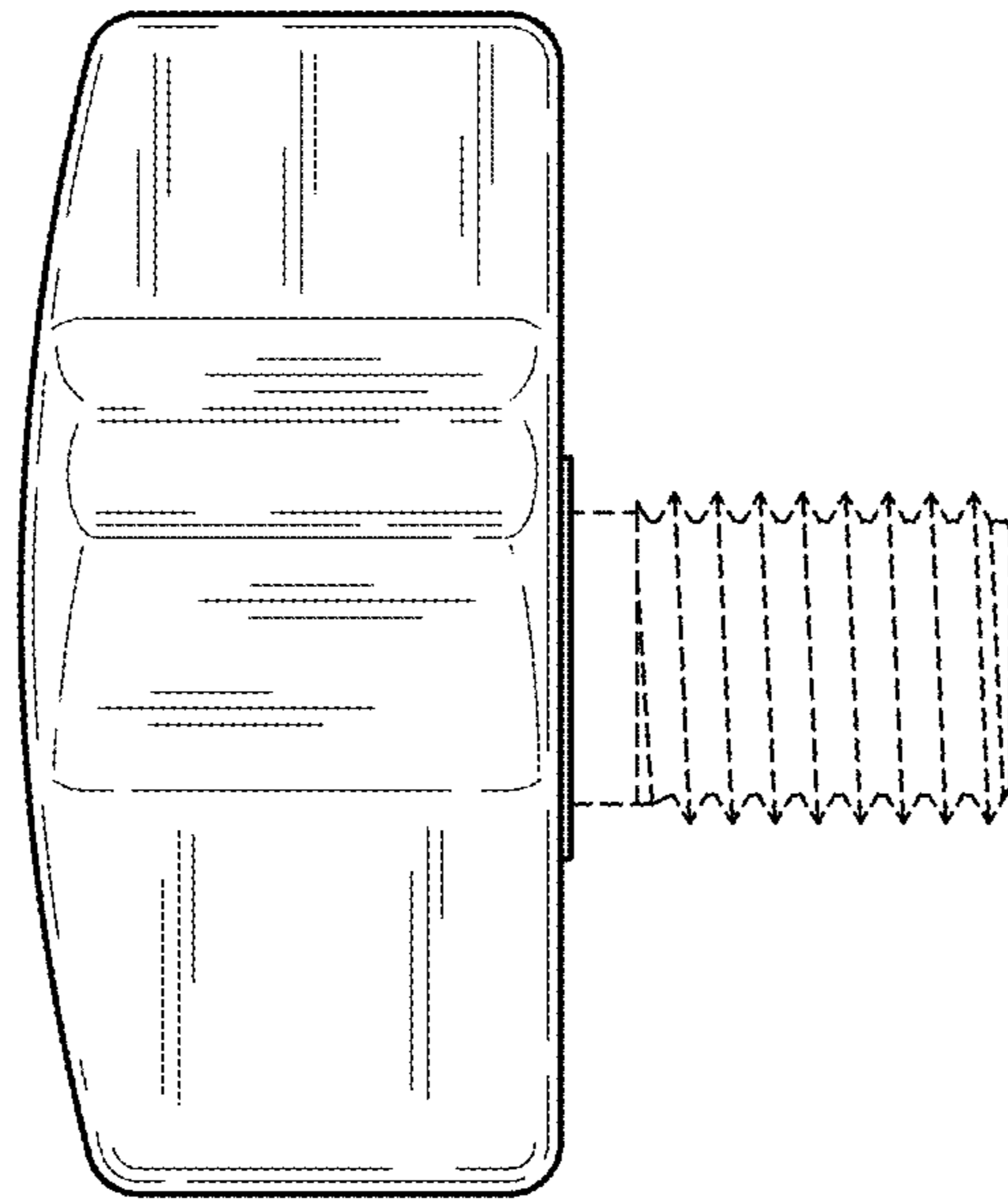


FIG. 5

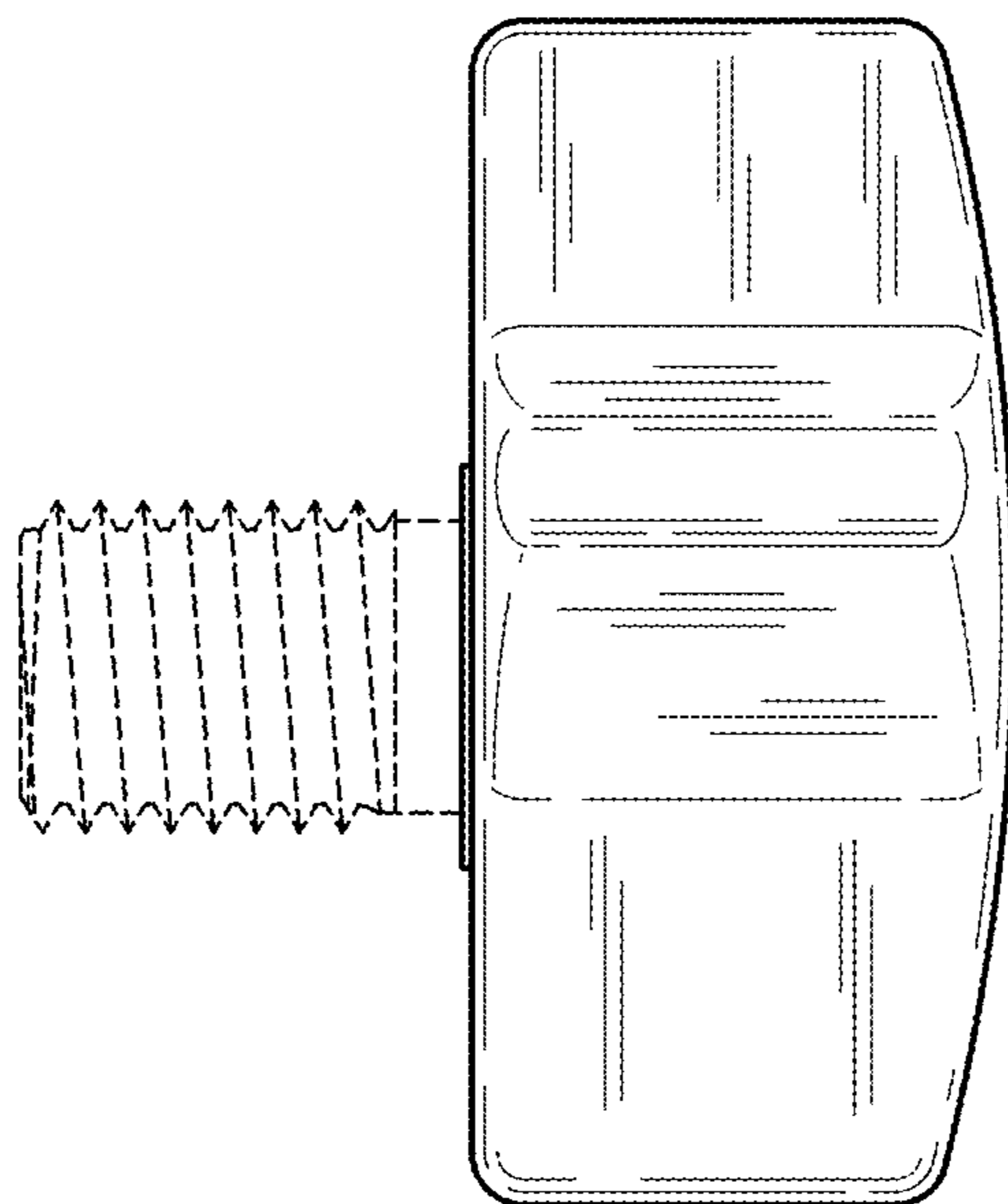


FIG. 6

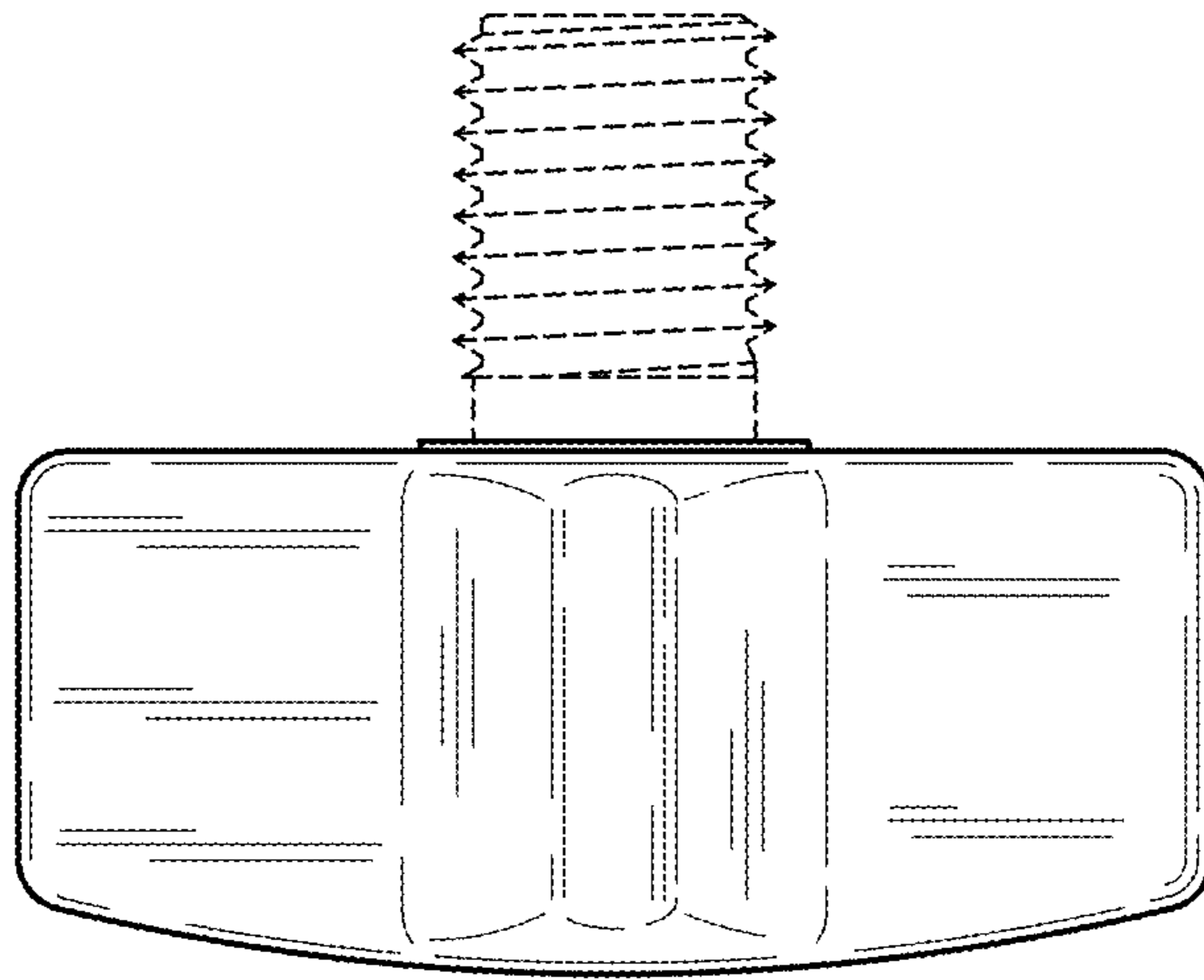


FIG. 7

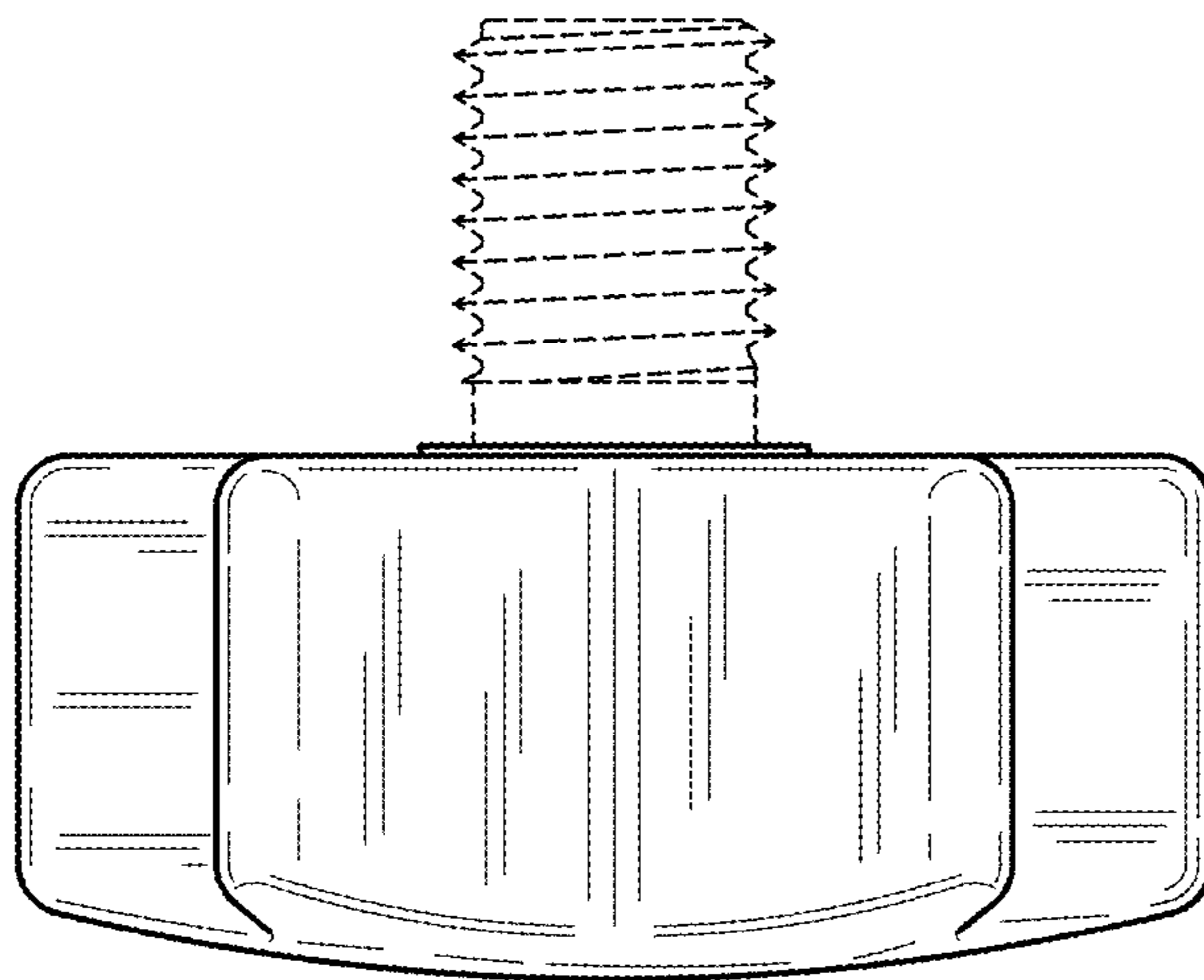


FIG. 8