



US00D980935S

(12) **United States Design Patent** (10) **Patent No.:** **US D980,935 S**
Rife (45) **Date of Patent:** **** Mar. 14, 2023**

- (54) **GOLF GRIP**
- (71) Applicant: **Guerin D. Rife**, Carlsbad, CA (US)
- (72) Inventor: **Guerin D. Rife**, Carlsbad, CA (US)
- (73) Assignee: **EVNROLL PUTTERS, LLC**,
Carlsbad, CA (US)
- (**) Term: **15 Years**
- (21) Appl. No.: **29/786,800**
- (22) Filed: **Jun. 2, 2021**

D325,614 S *	4/1992	Mermillod	D21/756
D399,282 S *	10/1998	Jarrett	D21/756
D531,243 S *	10/2006	Davis	D21/756
D534,602 S *	1/2007	Norton	D21/756
D534,603 S *	1/2007	Norton	D21/756
D534,604 S *	1/2007	Norton	D21/756
D534,605 S *	1/2007	Norton	D21/756
D534,606 S *	1/2007	Norton	D21/756
D534,607 S *	1/2007	Norton	D21/756
D534,975 S *	1/2007	Norton	D21/756
D554,723 S *	11/2007	Savasky	D21/756
D554,724 S *	11/2007	Savasky	D21/756
D592,262 S *	5/2009	Devaney	D21/756
D592,263 S *	5/2009	Devaney	D21/756
D592,264 S *	5/2009	Devaney	D21/756

(Continued)

Related U.S. Application Data

- (63) Continuation-in-part of application No. 29/730,566, filed on Apr. 6, 2020, now Pat. No. Des. 950,659, which is a continuation-in-part of application No. 29/724,407, filed on Feb. 14, 2020, now Pat. No. Des. 933,152, which is a continuation-in-part of application No. 29/721,604, filed on Jan. 22, 2020, now Pat. No. Des. 930,777.
- (51) **LOC (14) Cl.** **21-02**
- (52) **U.S. Cl.**
USPC **D21/756**
- (58) **Field of Classification Search**
USPC D21/756-758; D8/80, 83, 94, 97, 107,
D8/300, 321
CPC A63B 60/06-60/34; A63B 60/00; A63B
60/46; A63B 59/60-59/80; A63B
49/00-49/14; A63B 53/14
See application file for complete search history.

(56) **References Cited**

U.S. PATENT DOCUMENTS

2,218,268 A *	10/1940	Percival	A63B 53/14 473/204
D128,266 S *	7/1941	Smith	D21/756
D295,207 S *	4/1988	Mahaffey	D21/756

FOREIGN PATENT DOCUMENTS

EM	008051270-0001	*	10/2020
GB	9008051270-0001	*	7/2020

(Continued)

OTHER PUBLICATIONS

Golf grip google search; google.com; Nov. 14, 2022.*

Primary Examiner — Mitchell I. Siegel

(74) *Attorney, Agent, or Firm* — Dickinson Wright PLLC

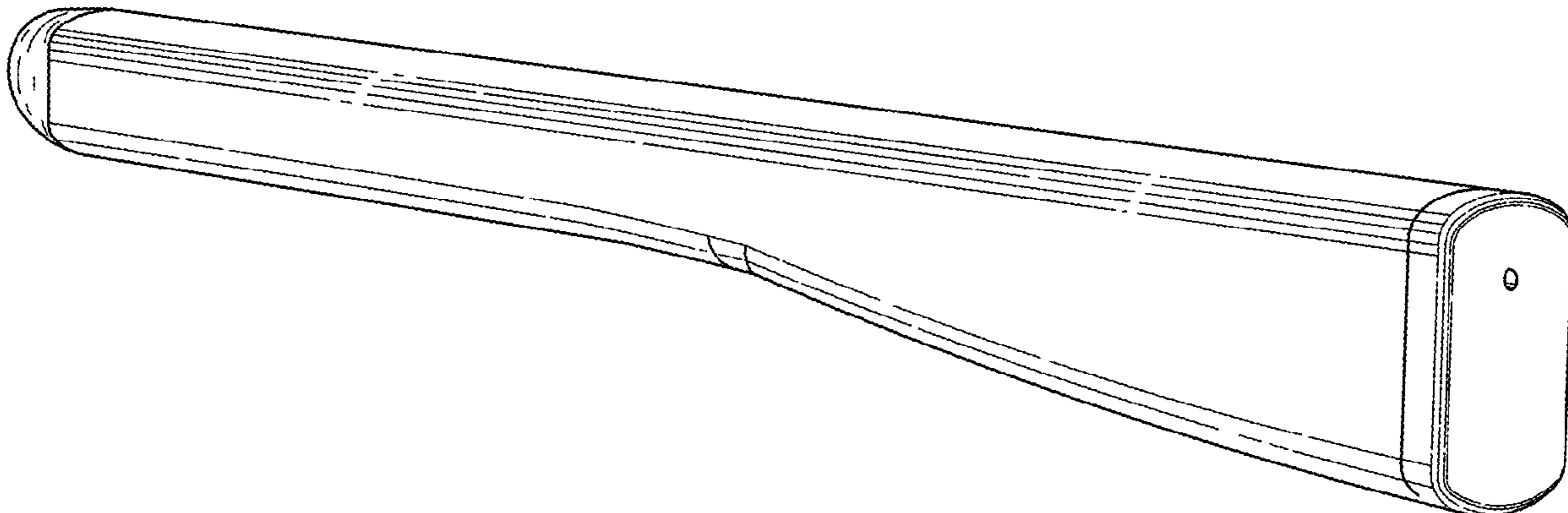
(57) **CLAIM**

The ornamental design of a golf grip, as shown and described.

DESCRIPTION

FIG. 1 is a perspective view of the golf grip;
FIG. 2 is a front view of the golf grip;
FIG. 3 is a rear view of the golf grip;
FIG. 4 is right side view of the golf grip;
FIG. 5 is left side view of the golf grip;
FIG. 6 is a top view of the golf grip; and,
FIG. 7 is a bottom view of the golf grip.

1 Claim, 2 Drawing Sheets



(56)

References Cited

U.S. PATENT DOCUMENTS

D592,265	S	*	5/2009	Devaney	D21/756
D592,266	S	*	5/2009	Devaney	D21/756
D592,267	S	*	5/2009	Devaney	D21/756
D595,378	S	*	6/2009	Devaney	D21/756
D595,379	S	*	6/2009	Devaney	D21/756
D595,796	S	*	7/2009	Devaney	D21/756
D597,622	S	*	8/2009	Devaney	D21/756
D681,758	S	*	5/2013	Garsen	D21/756
D710,466	S	*	8/2014	Bentley	D21/756
D728,717	S	*	5/2015	Cokewell	D21/756
D733,237	S	*	6/2015	Serrano	D21/756
D774,612	S	*	12/2016	Dingman	D21/756
D794,147	S	*	8/2017	Davis	D21/756
D796,609	S	*	9/2017	Serrano	D21/756
D816,177	S	*	4/2018	Garsen	D21/756
D818,065	S	*	5/2018	Lin	D21/756
D851,188	S	*	6/2019	Cokewell	D21/756
D896,331	S	*	9/2020	Biafore, Jr.	D21/756
10,806,974	B1	*	10/2020	Biafore, Jr.	A63B 60/14
10,912,973	B2	*	2/2021	Rife	A63B 60/14
D930,777	S	*	9/2021	Rife	D21/756
D933,152	S	*	10/2021	Rife	D21/756
D950,659	S	*	5/2022	Rife	D21/756
11,420,102	B2	*	8/2022	Rife	A63B 1/00
2018/0290033	A1	*	10/2018	Rife	A63B 53/007
2018/0369669	A1	*	12/2018	Rife	A63B 60/14
2021/0121752	A1	*	4/2021	Rife	A63B 60/24
2022/0347536	A1	*	11/2022	See	A63B 1/00

FOREIGN PATENT DOCUMENTS

JP	D1684874	*	5/2021
KR	301129572.0000	*	10/2021

* cited by examiner

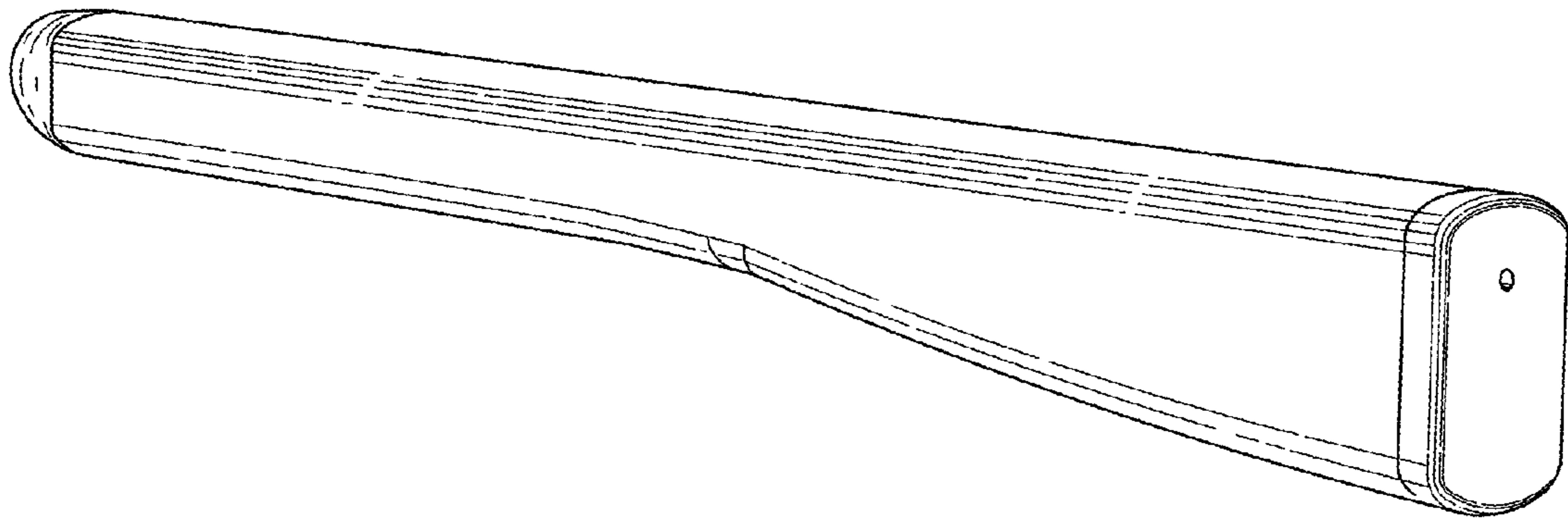


FIG. 1

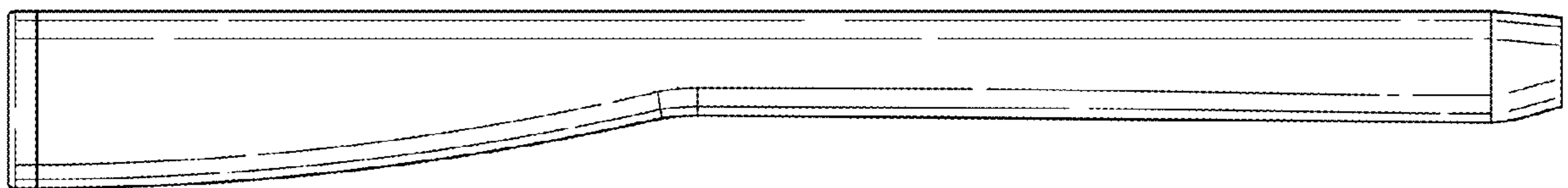


FIG. 2

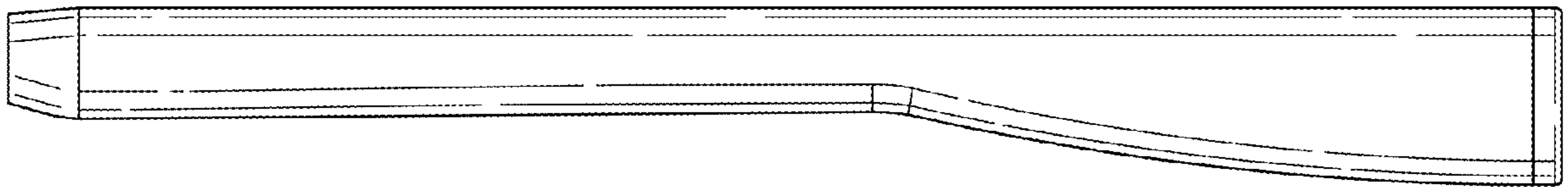


FIG. 3

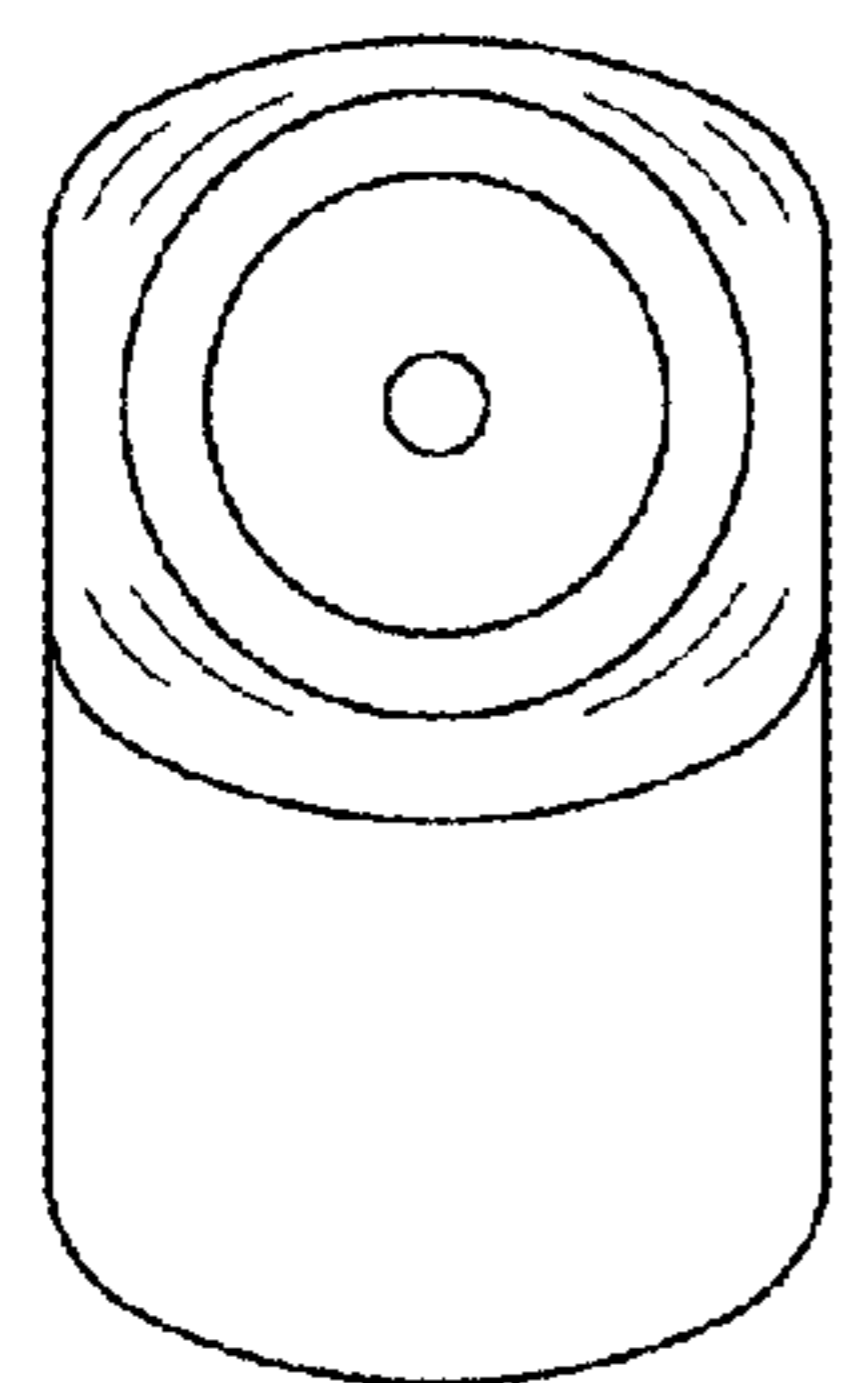


FIG. 4

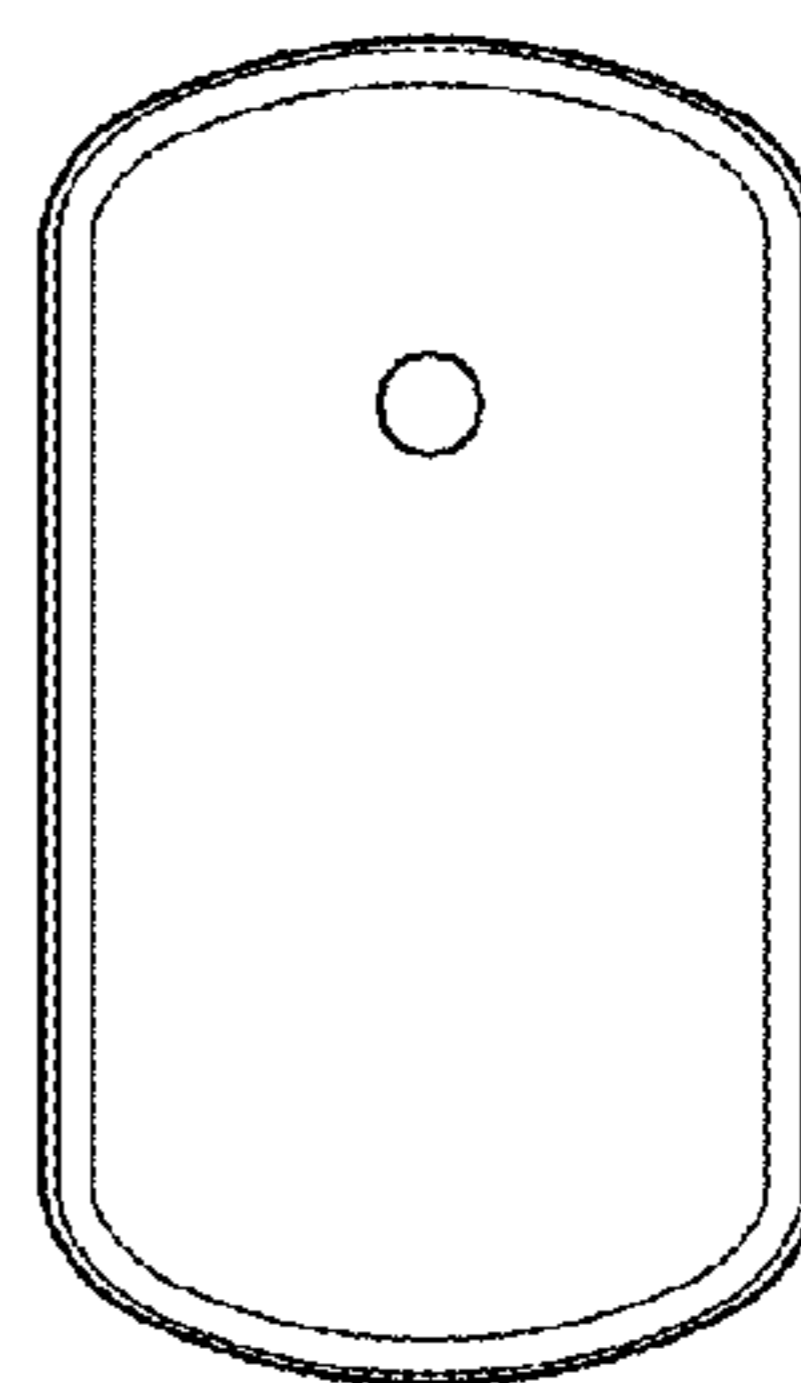


FIG. 5

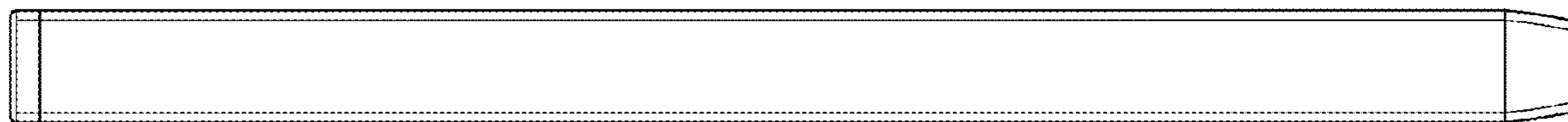


FIG. 6

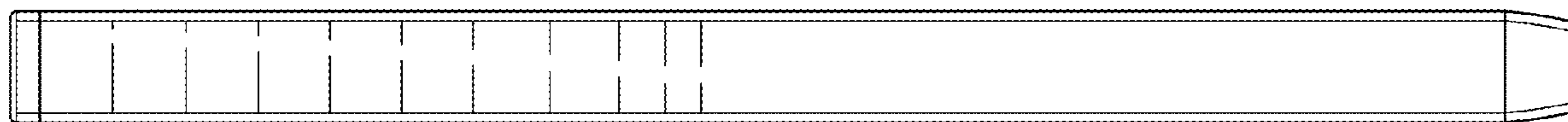


FIG. 7