



US00D980934S

(12) **United States Design Patent**
Toulon et al.

(10) **Patent No.:** **US D980,934 S**

(45) **Date of Patent:** **** Mar. 14, 2023**

(54) **PUTTER HEAD**

(71) Applicant: **Callaway Golf Company**, Carlsbad, CA (US)

(72) Inventors: **Sean Toulon**, Vista, CA (US); **Luke Williams**, Carlsbad, CA (US); **Patrick Dawson**, Poway, CA (US); **JulieAnn Larson**, Oceanside, CA (US); **Thomas Vu**, Westminster, CA (US); **Jim Sotherland**, Escondido, CA (US)

(73) Assignee: **Topgolf Callaway Brands Corp.**, Carlsbad, CA (US)

(**) Term: **15 Years**

(21) Appl. No.: **29/798,011**

(22) Filed: **Jul. 5, 2021**

(51) **LOC (14) Cl.** **21-02**

(52) **U.S. Cl.**
USPC **D21/743**

(58) **Field of Classification Search**
USPC D21/736-746, 759
CPC A63B 53/00; A63B 53/04; A63B 53/007;
A63B 53/065; A63B 53/0487; A63B
60/00; A63B 60/46

See application file for complete search history.

(56) **References Cited**

U.S. PATENT DOCUMENTS

D498,276 S *	11/2004	Schweigert	D21/743
D638,892 S *	5/2011	Hettinger	D21/743
D688,339 S *	8/2013	Hilton	D21/736
D689,574 S *	9/2013	Rollinson	D21/743
D702,782 S *	4/2014	Wempe	D21/743
D763,373 S *	8/2016	Cardani	D21/736
D763,383 S *	8/2016	Cardani	D21/759
D784,468 S *	4/2017	Rollinson	D21/743
D797,220 S *	9/2017	Serrano	D21/743

9,808,680 B1 *	11/2017	Myers	A63B 53/065
D817,425 S *	5/2018	Toulon	D21/759
D837,315 S *	1/2019	Rollinson	D21/743
10,173,105 B2 *	1/2019	Myers	A63B 53/0487
D847,926 S *	5/2019	Wang	D21/744
D852,301 S *	6/2019	Serrano	D21/743
D860,351 S *	9/2019	Rollinson	D21/743
D865,090 S *	10/2019	Rollinson	D21/743
D898,845 S *	10/2020	Clarke	D21/743
D907,147 S *	1/2021	Agrella	D21/743
D928,260 S *	8/2021	Serrano	D21/743
D963,089 S *	9/2022	Wang	D21/743
D972,058 S *	12/2022	Clarke	D21/743

OTHER PUBLICATIONS

Golf putters google search; google.com; Jan. 6, 2023.*
Callaway putters google search; google.com; Jan. 6, 2023.*
callawaygolf.com; 8 pages; Jan. 6, 2023.*

* cited by examiner

Primary Examiner — Mitchell I. Siegel

(74) *Attorney, Agent, or Firm* — Michael A. Catania;
Rebecca Hanovice; Sonia Lari

(57) **CLAIM**

The ornamental design for a putter head, as shown and described.

DESCRIPTION

FIG. 1 is a rear perspective view of the putter head claimed herein;

FIG. 2 is a front elevational view thereof;

FIG. 3 is a rear elevational view thereof;

FIG. 4 is a left side elevational view thereof;

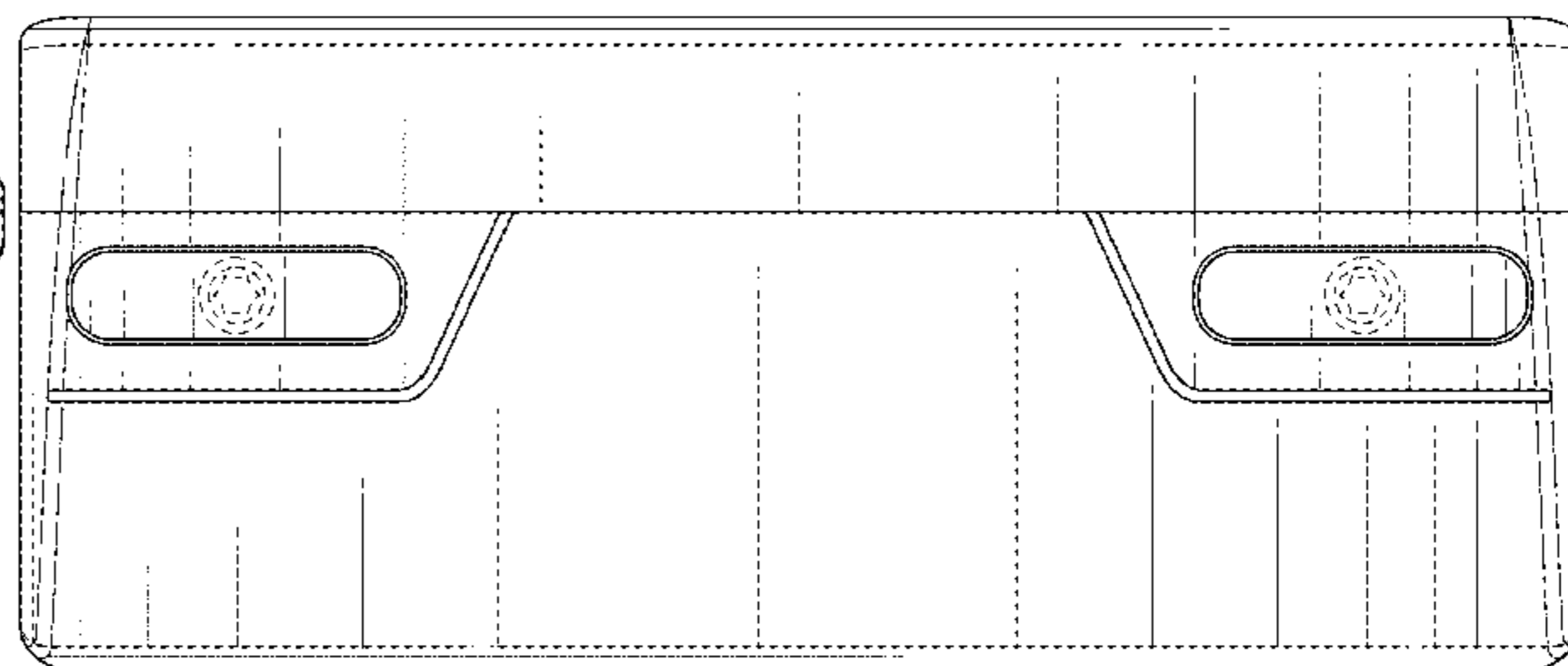
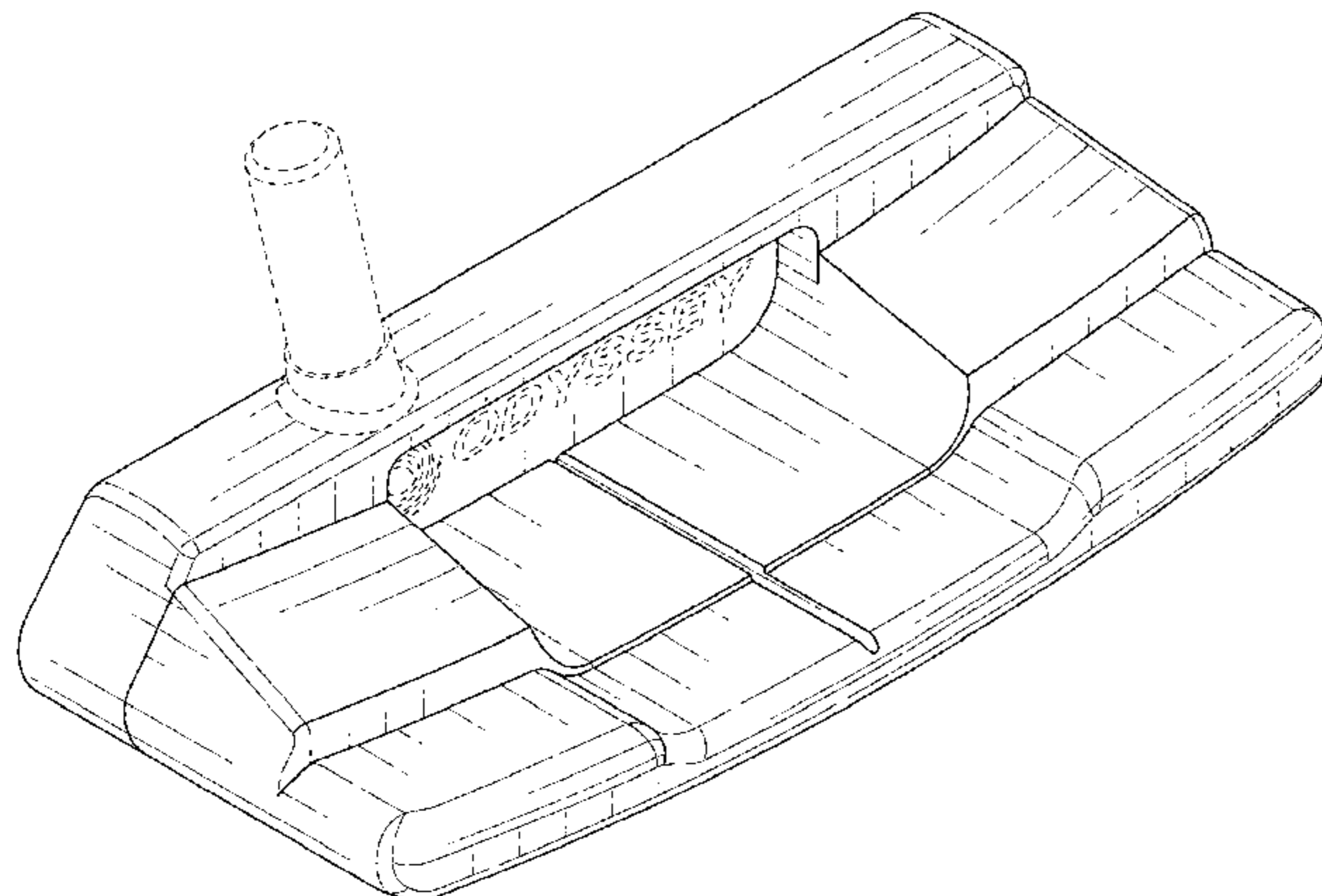
FIG. 5 is a right side elevational view thereof;

FIG. 6 is a top plan view thereof; and,

FIG. 7 is a bottom plan view thereof.

The broken lines shown in the drawings form no part of the claimed design.

1 Claim, 4 Drawing Sheets



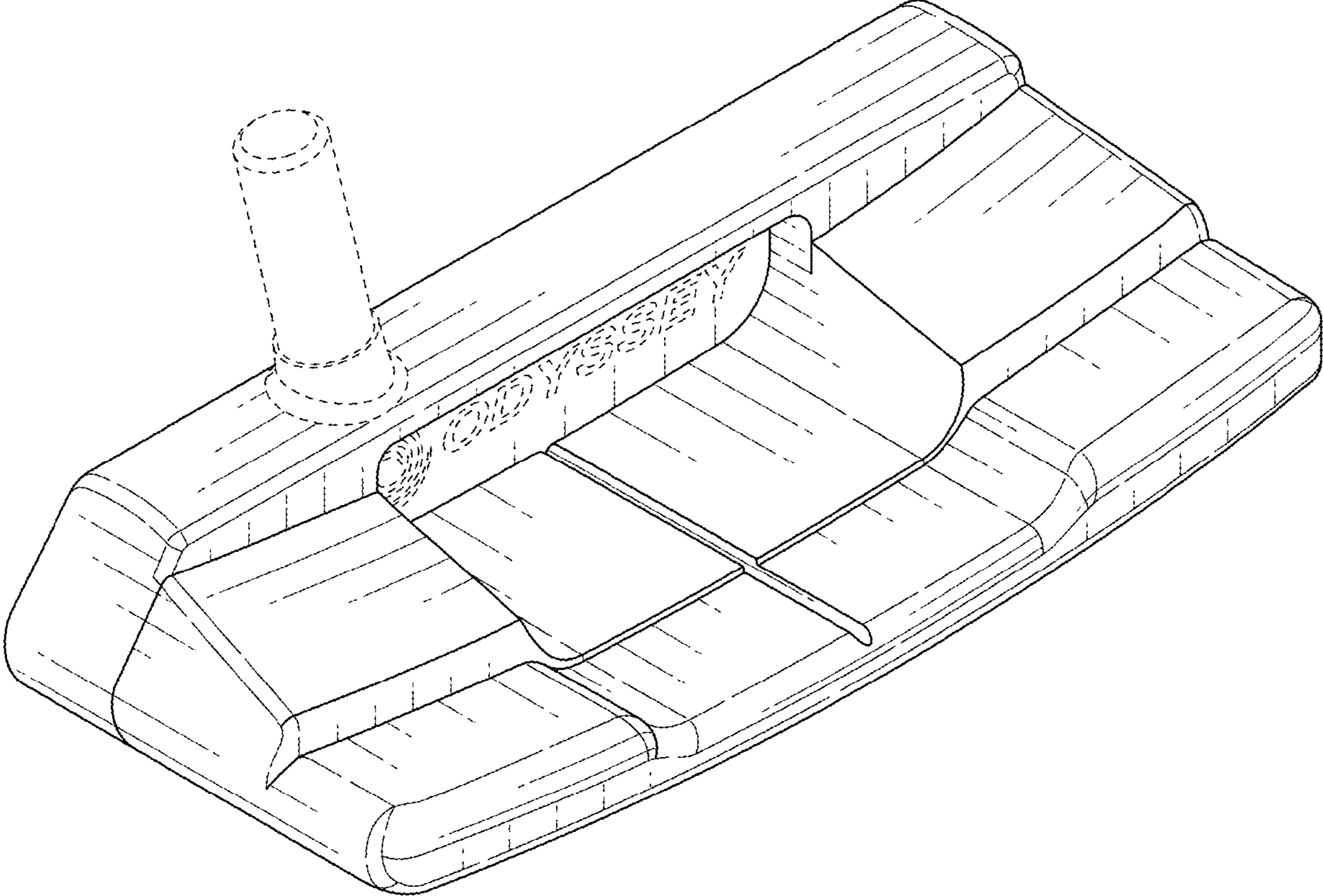


FIG. 1

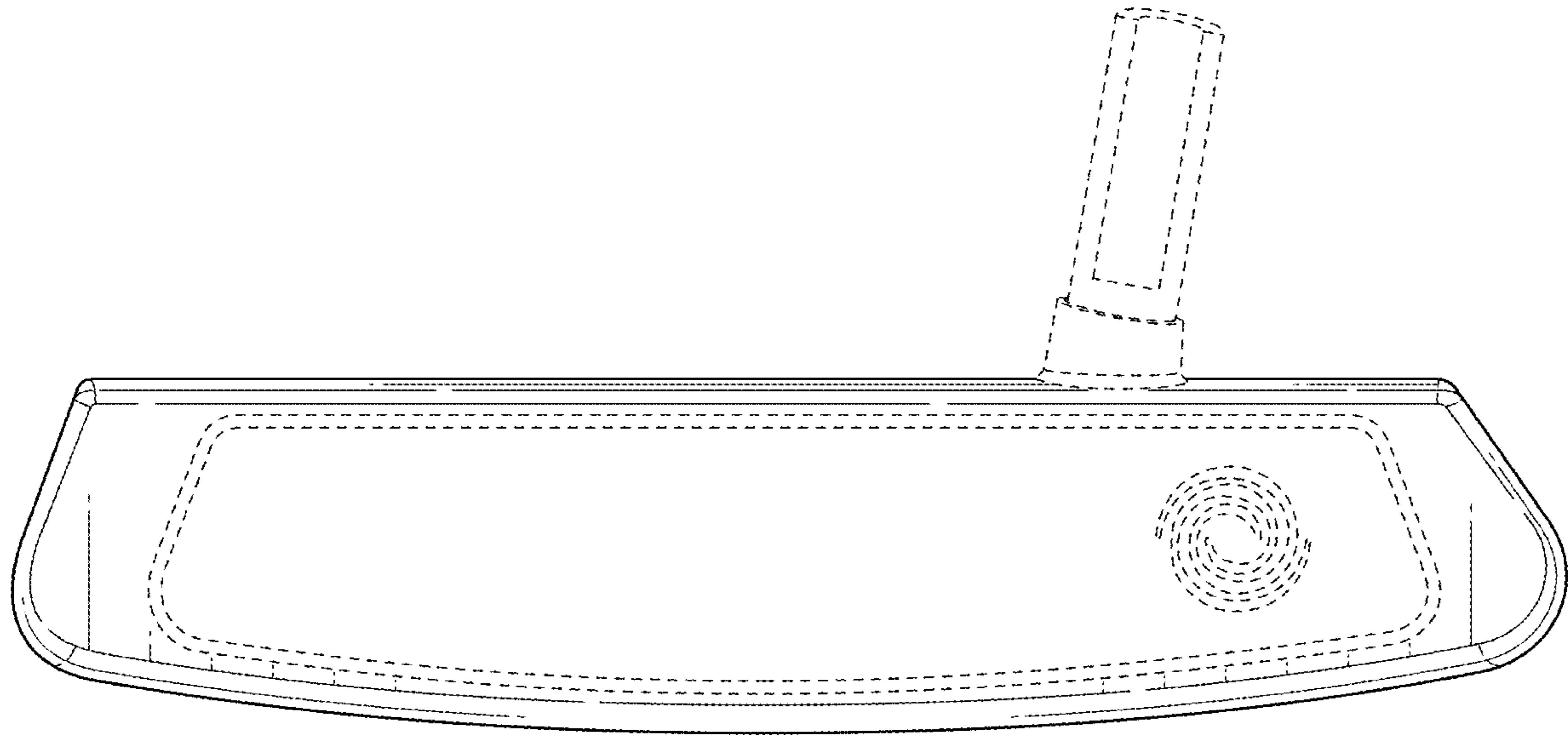


FIG. 2

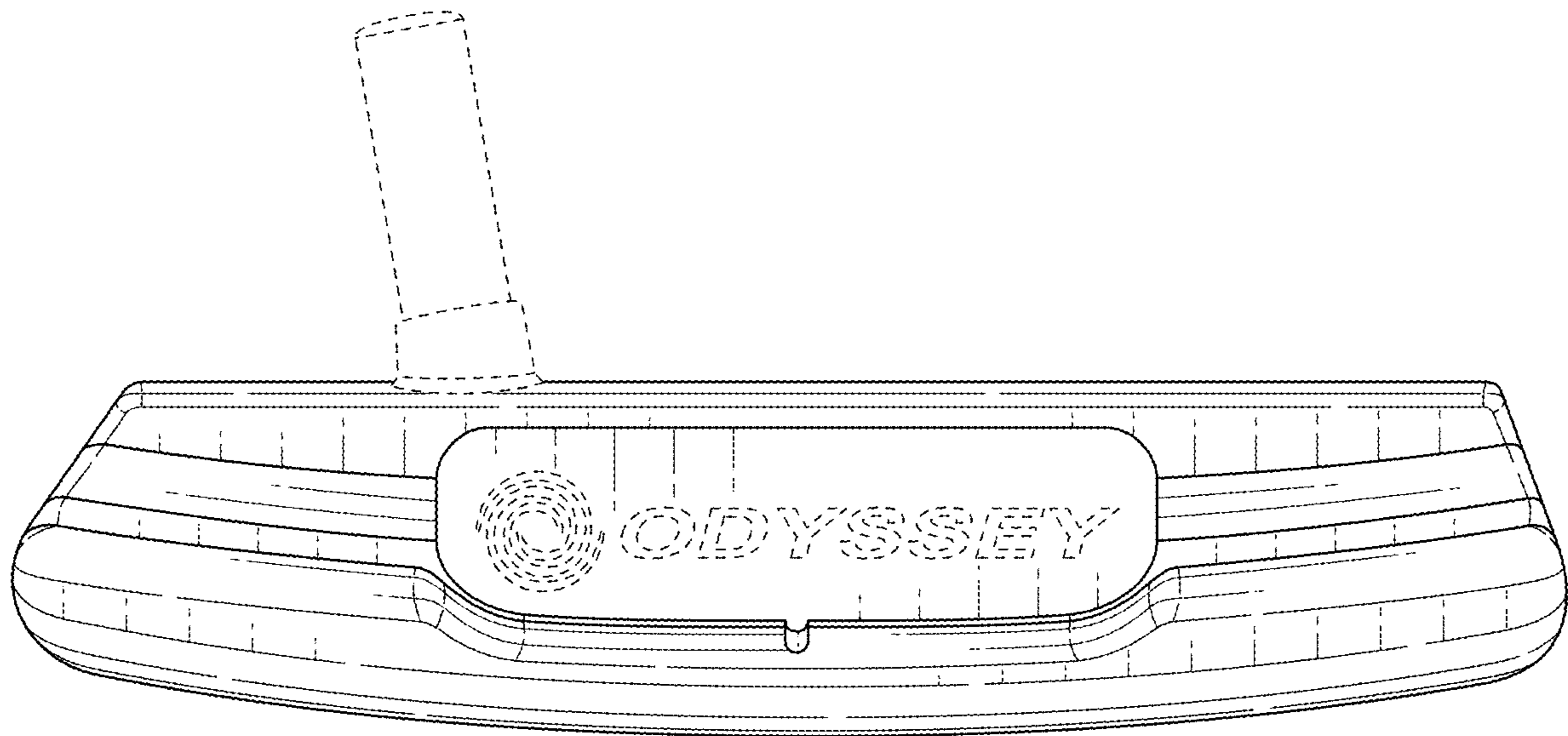


FIG. 3

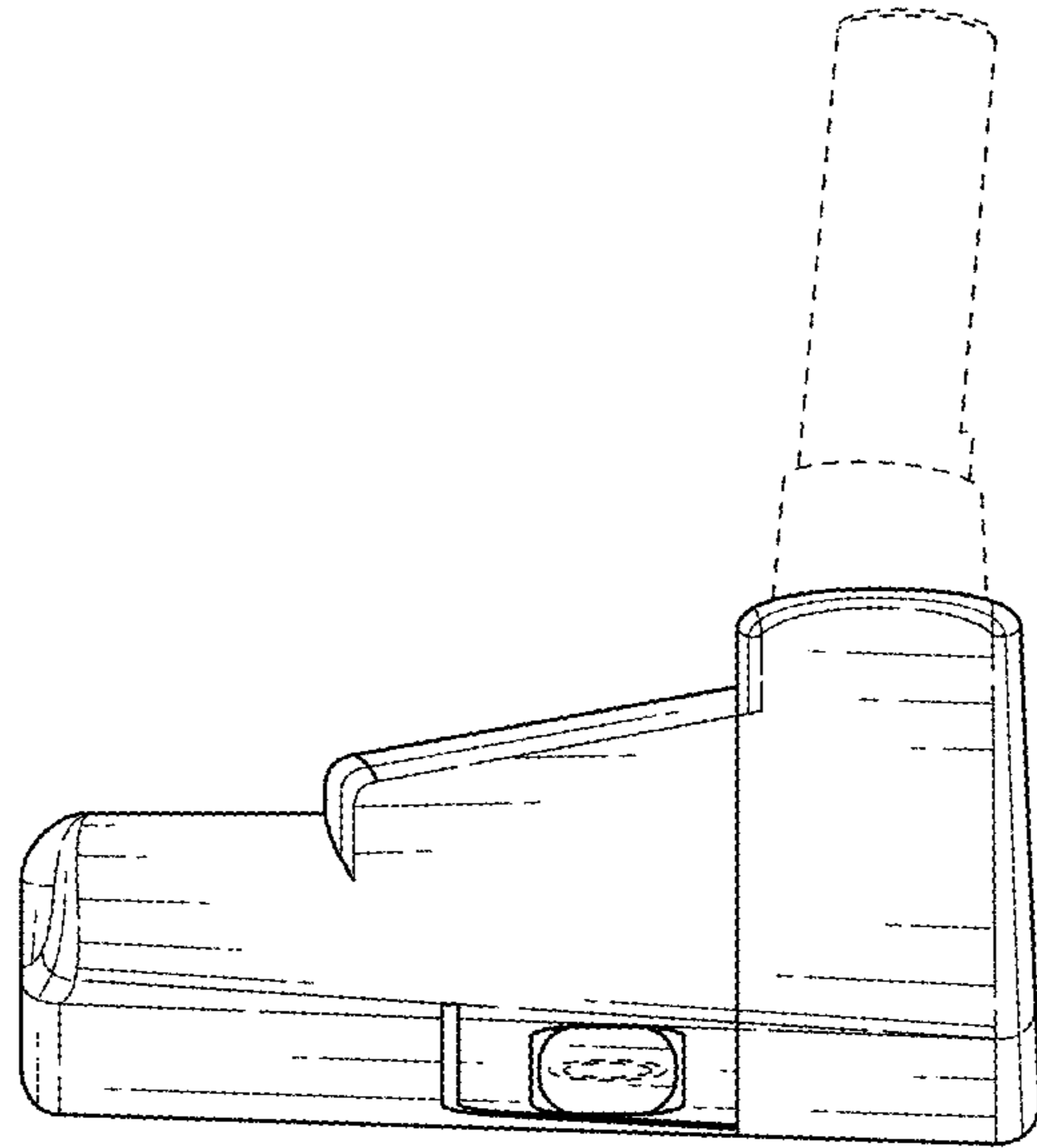


FIG. 4

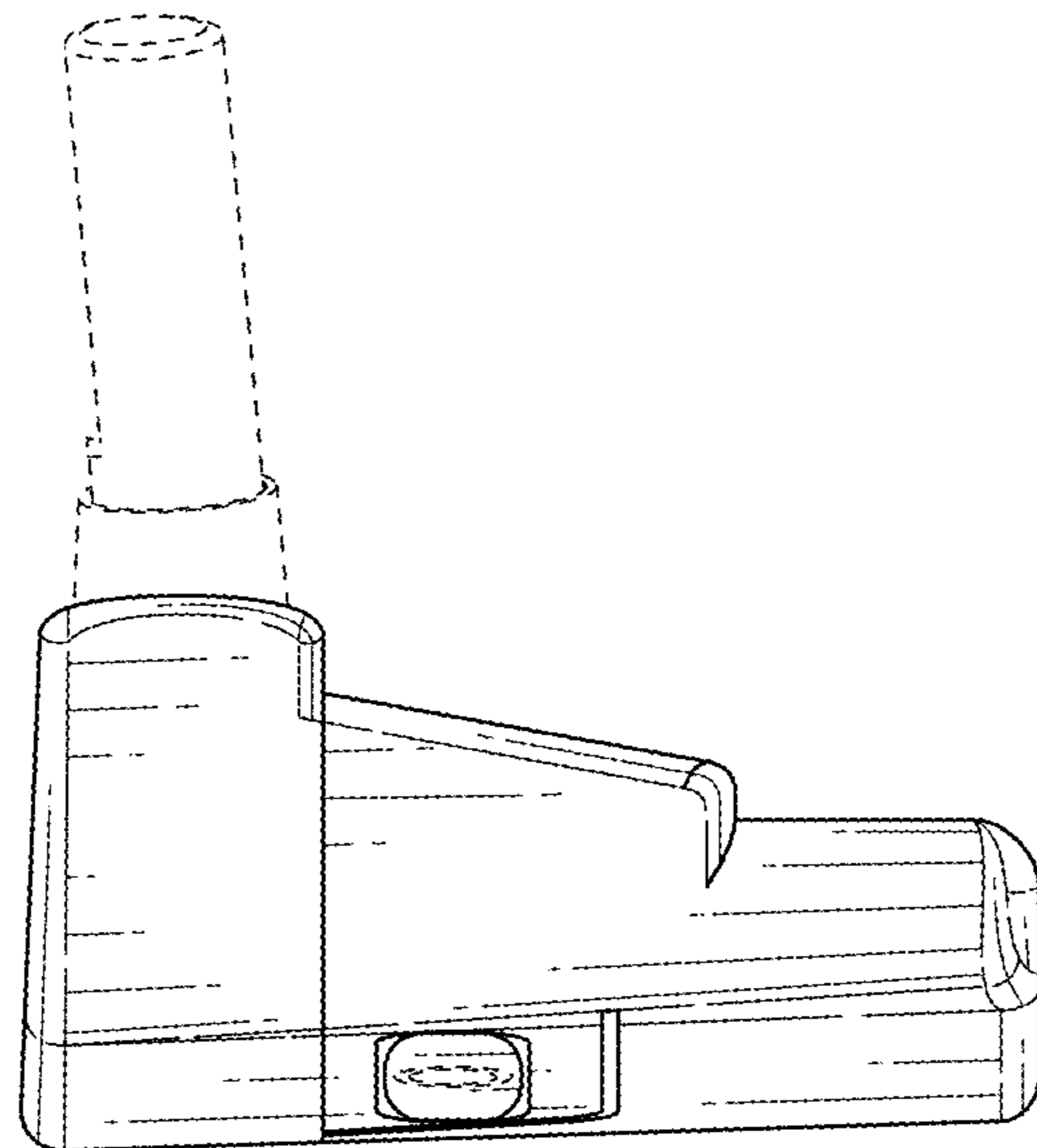


FIG. 5

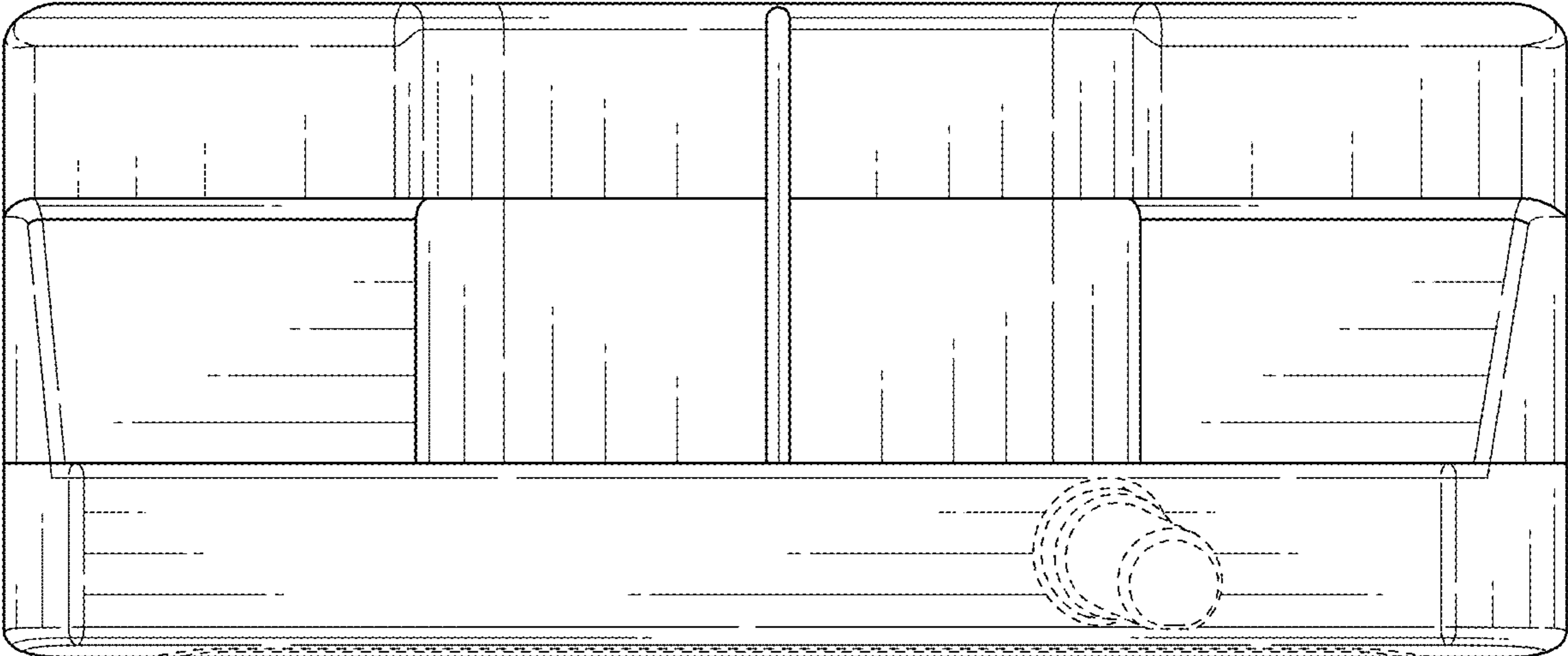


FIG. 6

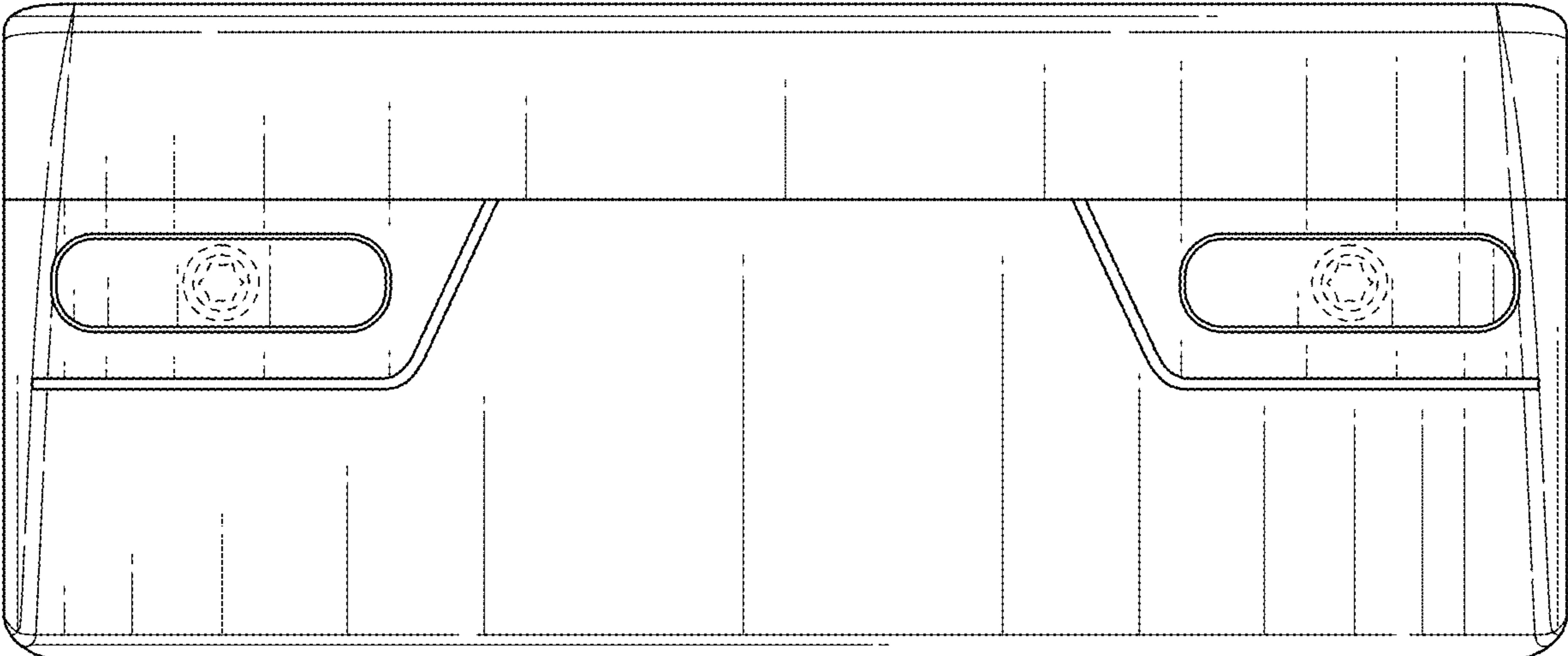


FIG. 7