



US00D980933S

(12) **United States Design Patent**
Toulon et al.

(10) **Patent No.:** **US D980,933 S**
(45) **Date of Patent:** **** Mar. 14, 2023**

(54) **PUTTER HEAD**

(71) Applicant: **Callaway Golf Company**, Carlsbad, CA (US)

(72) Inventors: **Sean Toulon**, Vista, CA (US); **Luke Williams**, Carlsbad, CA (US); **Patrick Dawson**, Poway, CA (US); **JulieAnn Larson**, Oceanside, CA (US); **Thomas Vu**, Westminster, CA (US); **Jim Sotherland**, Escondido, CA (US)

(73) Assignee: **Topgolf Callaway Brands Corp.**, Carlsbad, CA (US)

(**) Term: **15 Years**

(21) Appl. No.: **29/797,879**

(22) Filed: **Jul. 2, 2021**

(51) **LOC (14) Cl.** **21-02**

(52) **U.S. Cl.**
USPC **D21/743**

(58) **Field of Classification Search**
USPC D21/736-746, 759
CPC A63B 53/00; A63B 53/04; A63B 53/007;
A63B 53/065; A63B 53/0487; A63B
60/00; A63B 60/46

See application file for complete search history.

(56) **References Cited**

U.S. PATENT DOCUMENTS

D213,509 S *	3/1969	Solheim	D21/743
D231,375 S *	4/1974	Solheim	473/345
D235,465 S *	6/1975	Vella	D21/736
D306,630 S *	3/1990	Dinte	D21/743
D356,132 S *	3/1995	Ackerman	D21/743
D396,080 S *	7/1998	Bottema	D21/736
D405,836 S *	2/1999	Nicolette	D21/736
D408,064 S *	4/1999	Slucker	D21/736
D409,701 S *	5/1999	Ashcraft	D21/743

D427,262 S *	6/2000	Frazetta	D21/743
D443,905 S *	6/2001	Nicolette	D21/743
D449,865 S *	10/2001	Fife, Jr.	D21/736
D463,517 S *	9/2002	Ngon	D21/736
D472,949 S *	4/2003	Serrano	D21/736
D486,194 S *	2/2004	Helmstetter	D21/743
D574,912 S *	8/2008	Jones	D21/743
7,473,189 B2 *	1/2009	Schweigert	A63B 53/0487 473/341
D592,719 S *	5/2009	Hettinger	D21/743
D596,683 S *	7/2009	Hettinger	D21/746
D667,906 S *	9/2012	Butler	D21/743
D832,948 S *	11/2018	Stokke	D21/736
D857,819 S *	8/2019	Wang	D21/743

(Continued)

OTHER PUBLICATIONS

Golf putters google search; google.com; Jan. 6, 2023.*
Callaway putters google search; google.com; Jan. 6, 2023.*
callawaygolf.com; 8 pages; Jan. 6, 2023.*

Primary Examiner — Mitchell I. Siegel
(74) *Attorney, Agent, or Firm* — Michael A. Catania;
Rebecca Hanovice; Sonia Lari

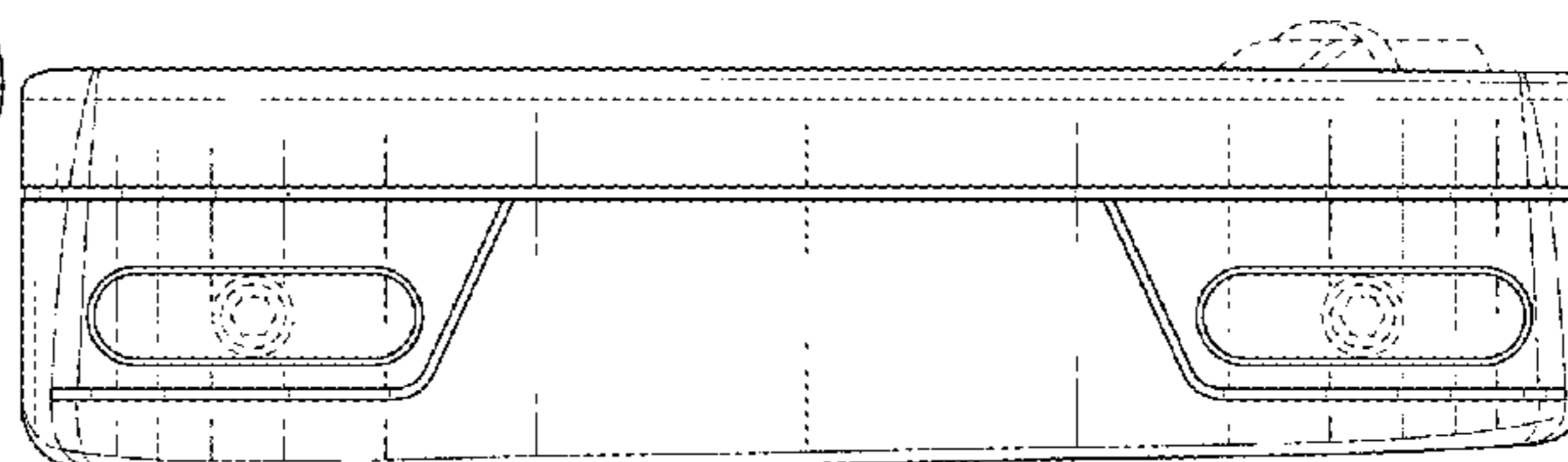
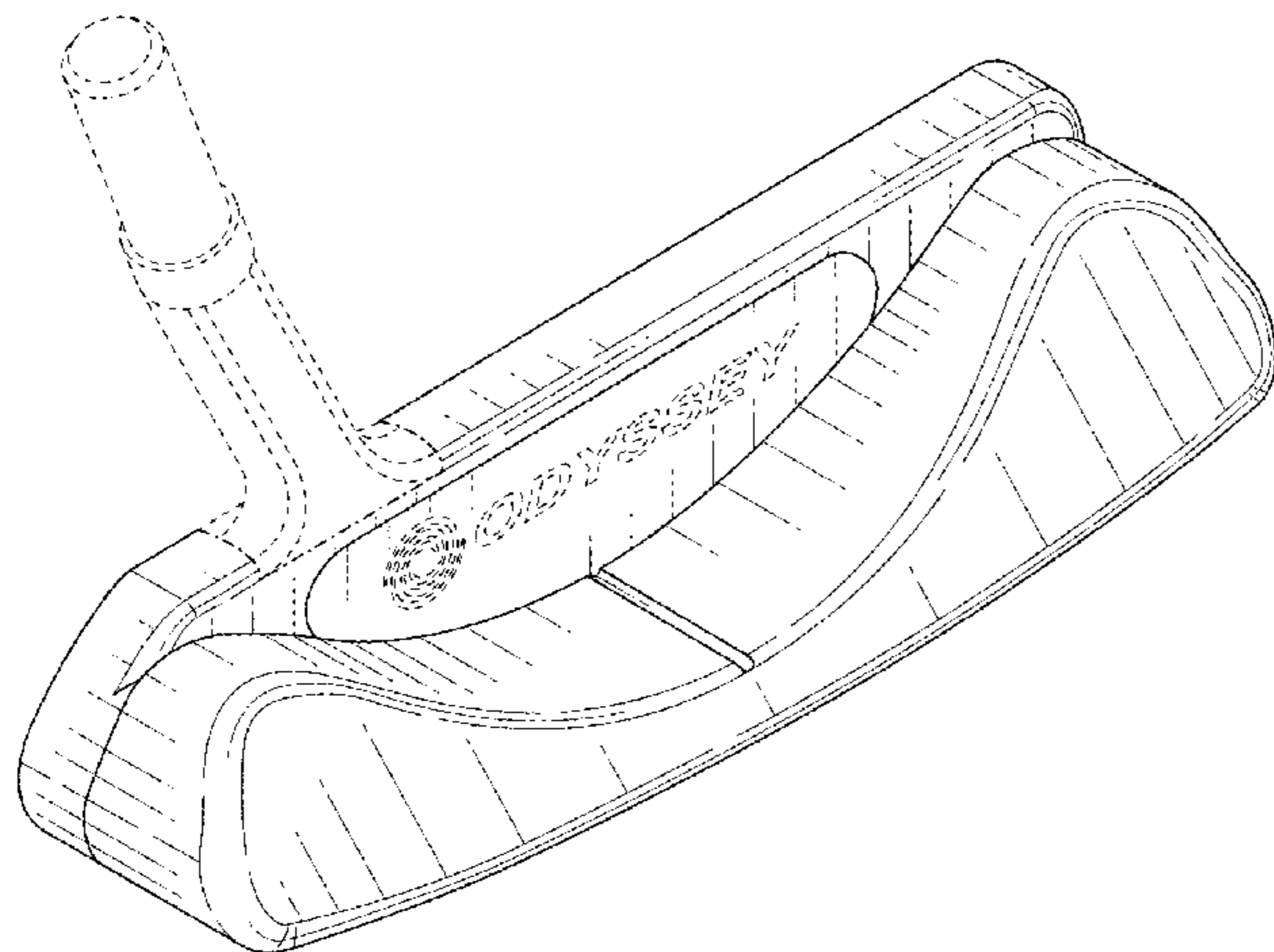
(57) **CLAIM**

The ornamental design for a putter head, as shown and described.

DESCRIPTION

FIG. 1 is a rear perspective view of the putter head claimed herein;
FIG. 2 is a front elevational view thereof;
FIG. 3 is a rear elevational view thereof;
FIG. 4 is a left side elevational view thereof;
FIG. 5 is a right side elevational view thereof;
FIG. 6 is a top plan view thereof; and,
FIG. 7 is a bottom plan view thereof.
The broken lines shown in the drawings form no part of the claimed design.

1 Claim, 4 Drawing Sheets



(56)

References Cited

U.S. PATENT DOCUMENTS

D896,329 S * 9/2020 Rollinson D21/743
D924,345 S * 7/2021 Nicolette D21/736

* cited by examiner

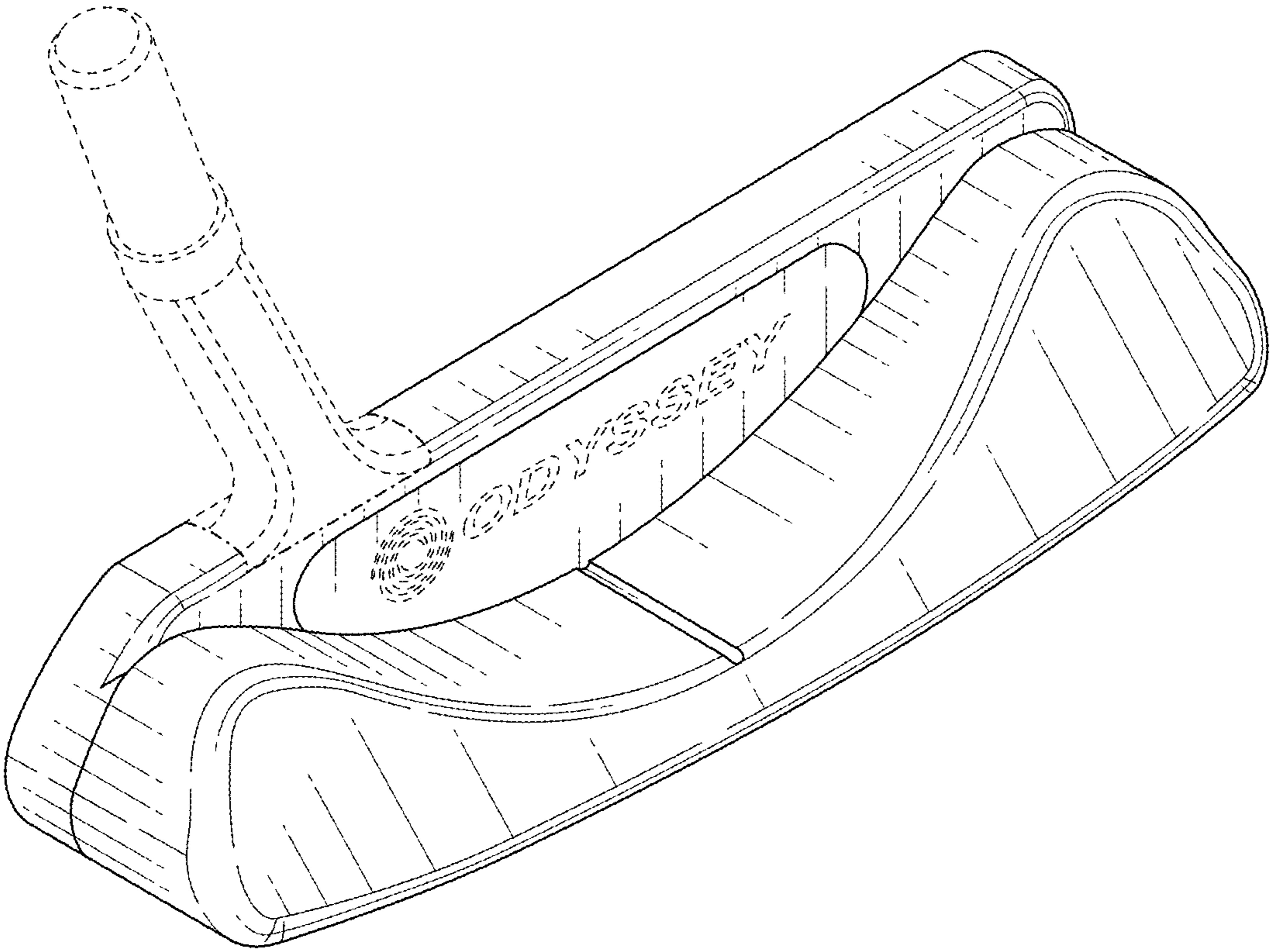


FIG. 1

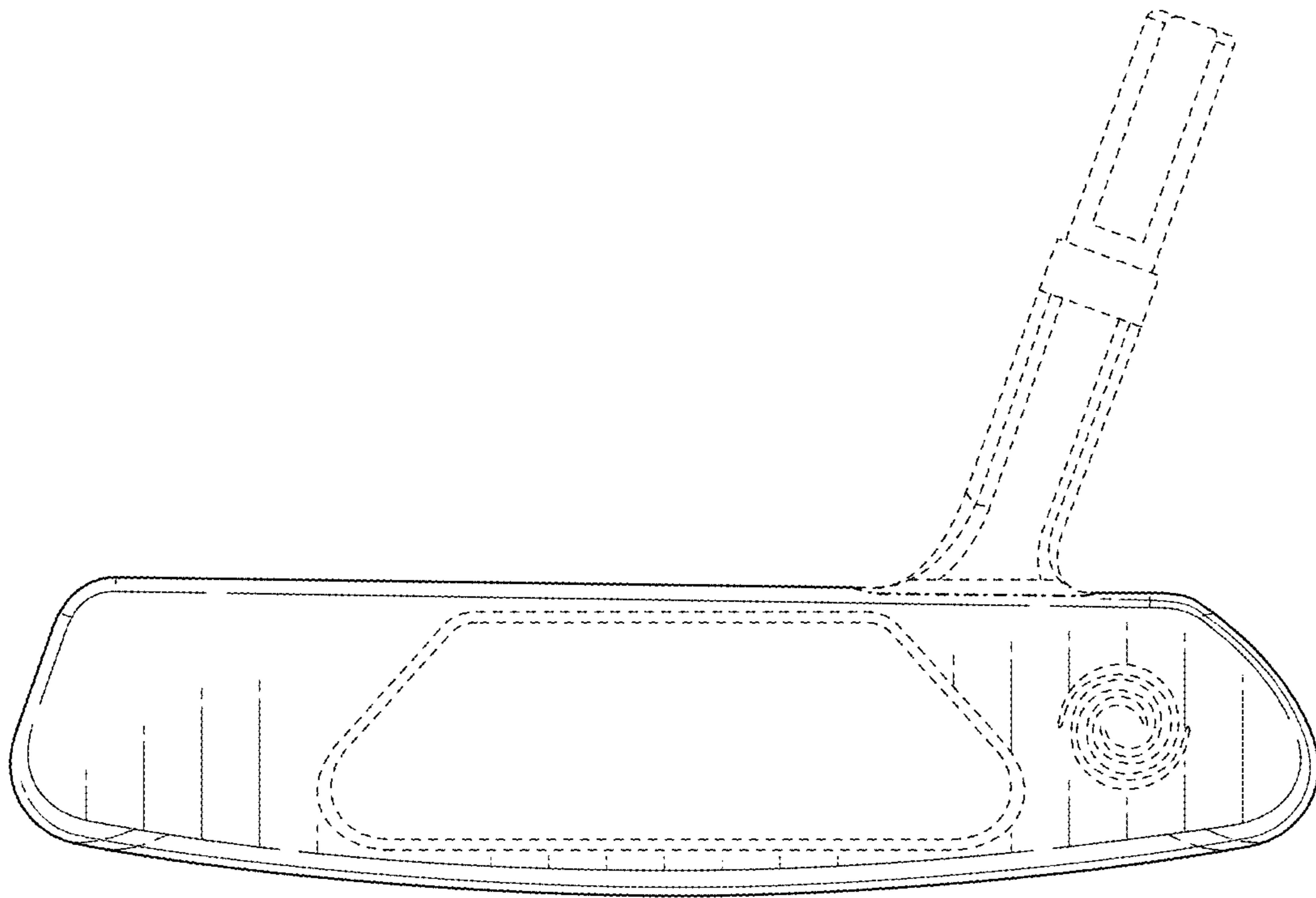


FIG. 2

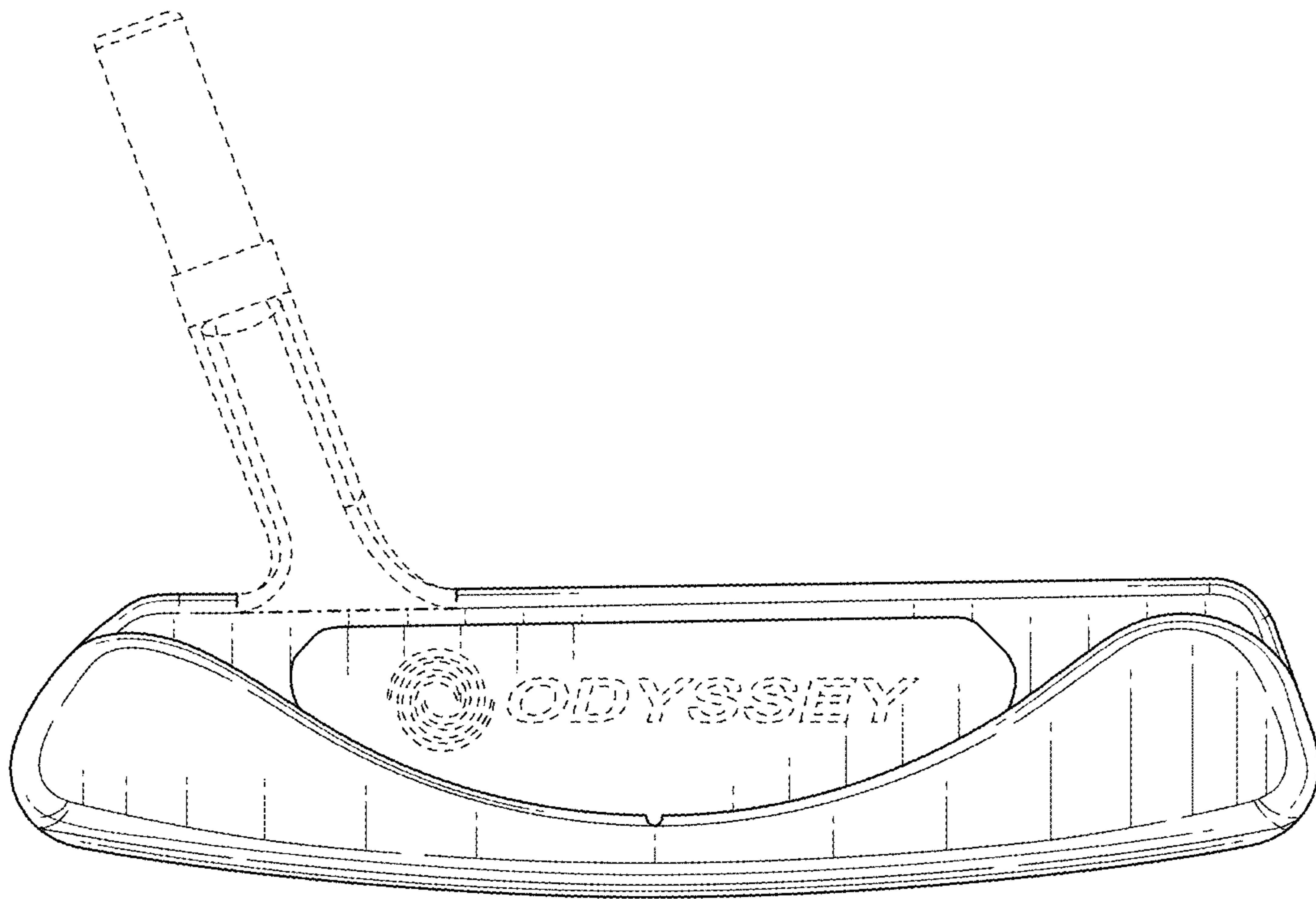


FIG. 3

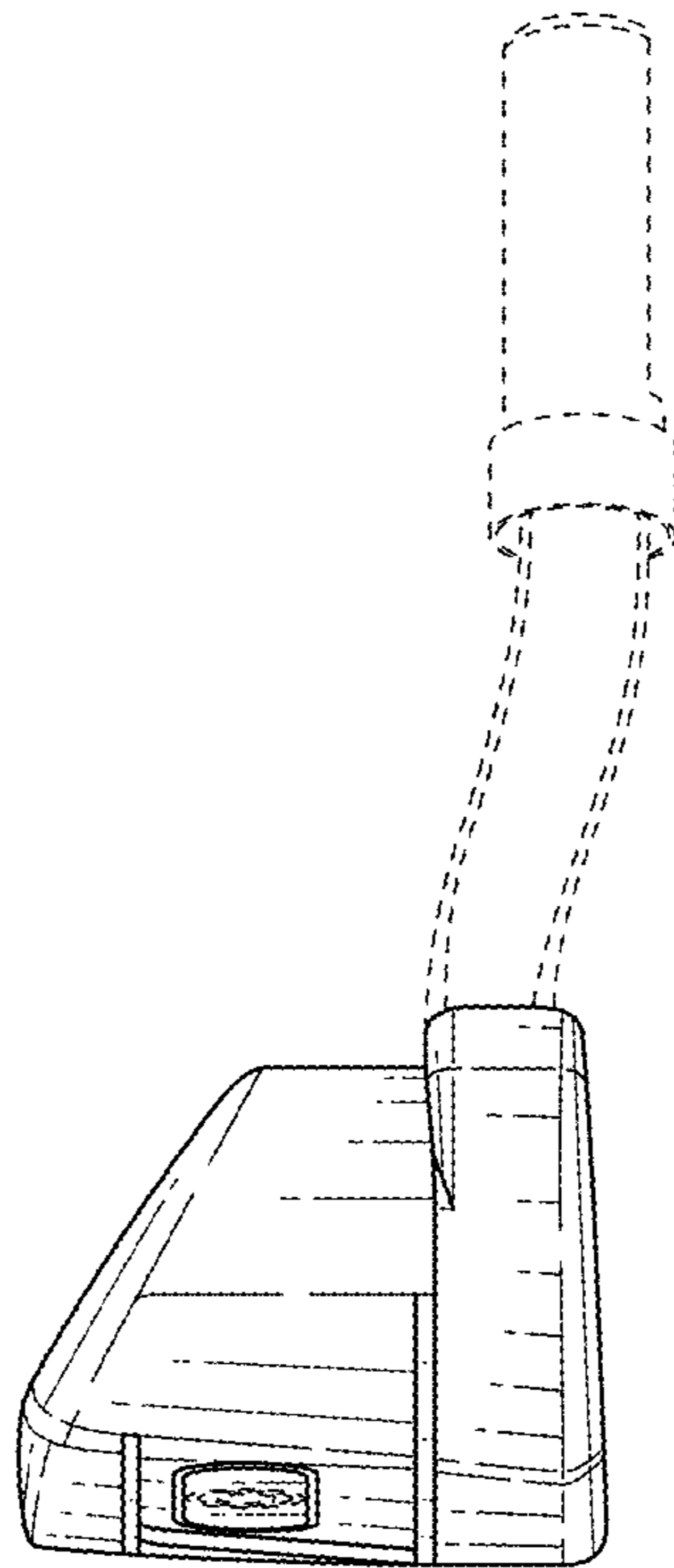


FIG. 4

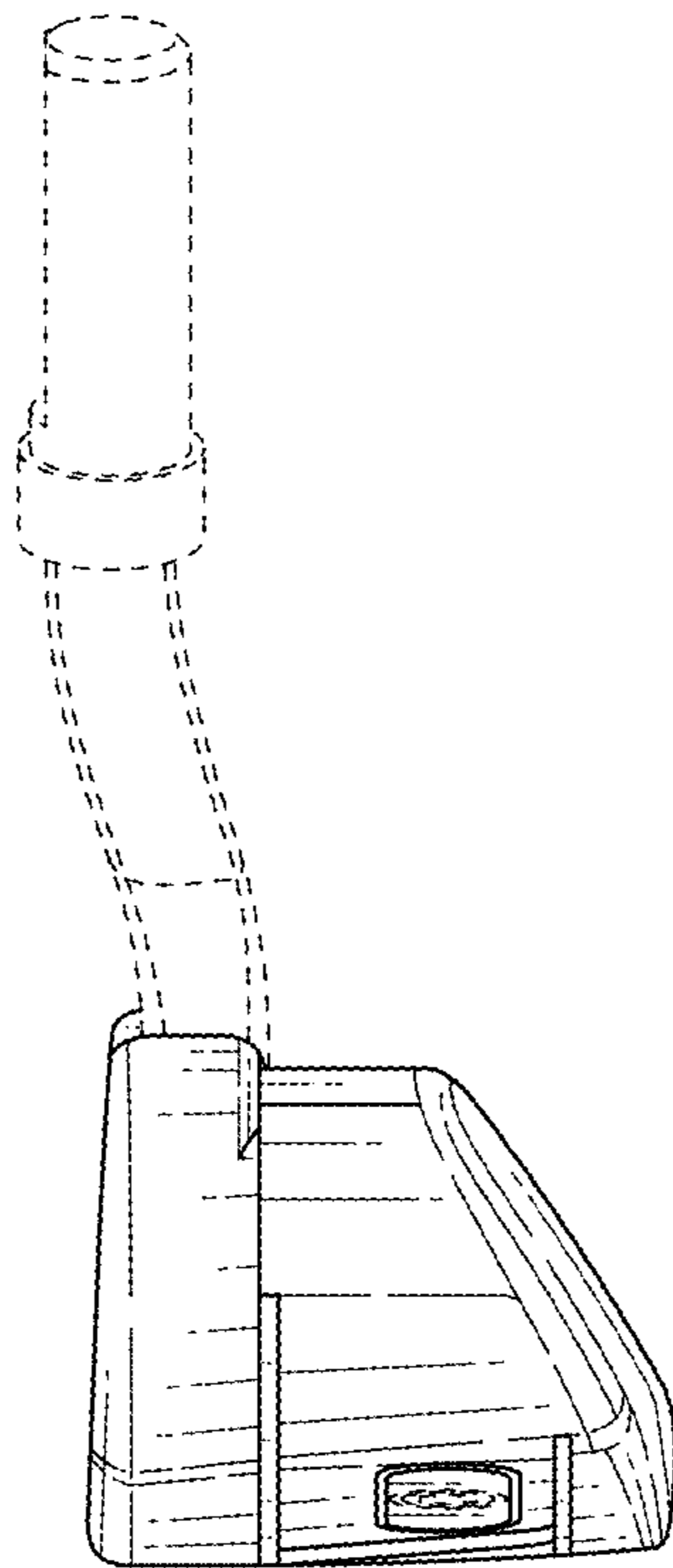


FIG. 5

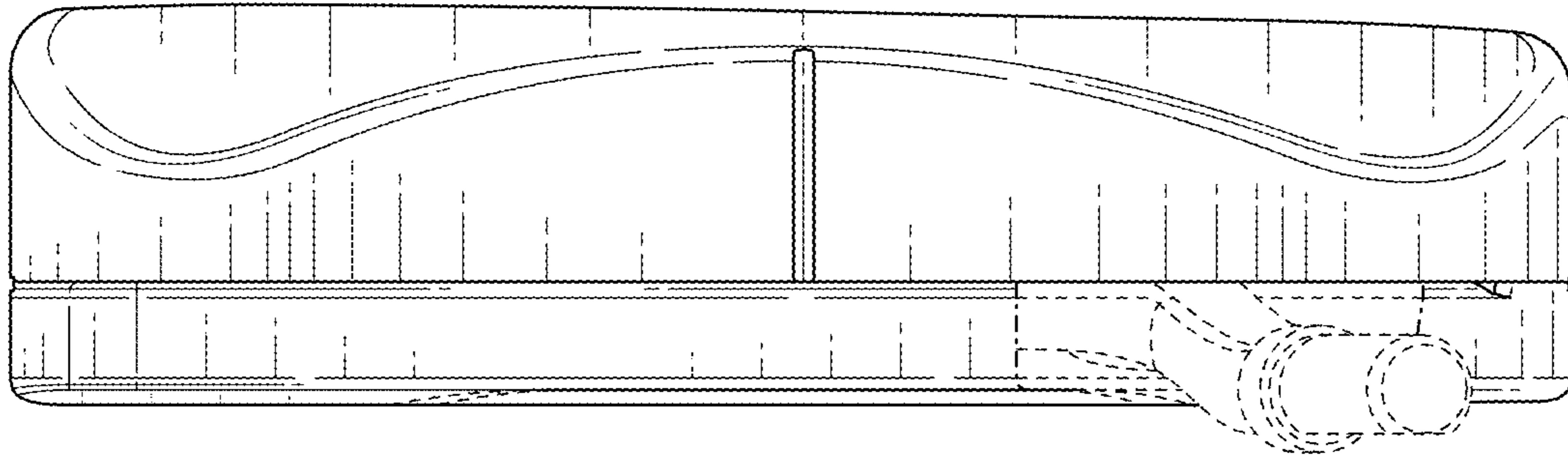


FIG. 6

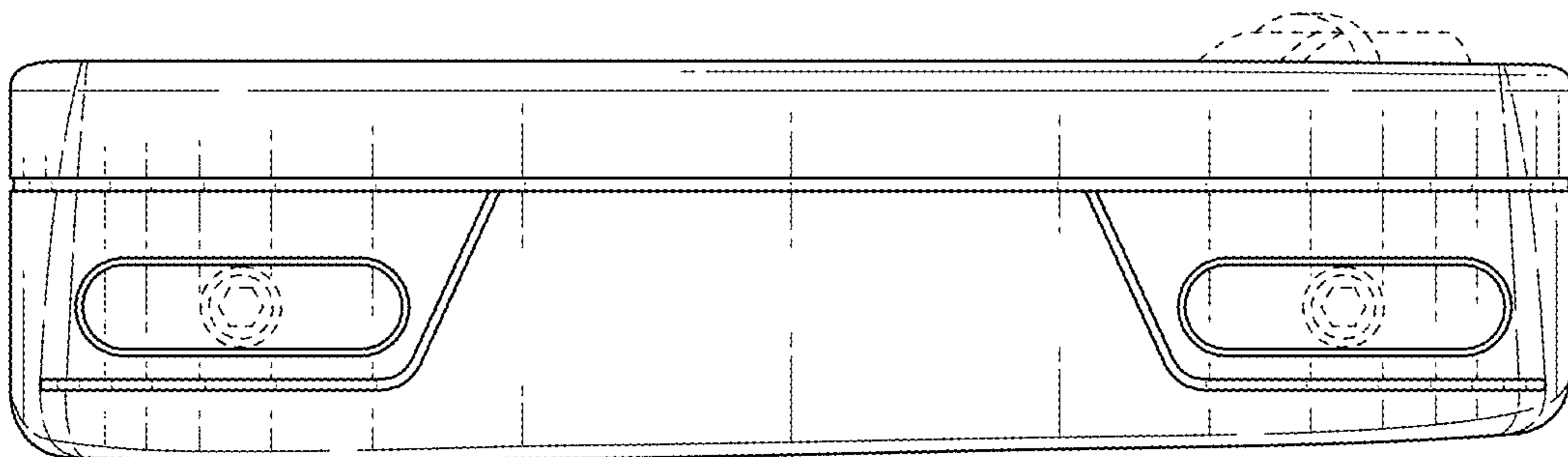


FIG. 7