



US00D980932S

(12) **United States Design Patent**  
**Toulon et al.**

(10) **Patent No.: US D980,932 S**

(45) **Date of Patent: \*\* Mar. 14, 2023**

(54) **PUTTER HEAD**

(71) Applicant: **Callaway Golf Company**, Carlsbad, CA (US)

(72) Inventors: **Sean Toulon**, Vista, CA (US); **Luke Williams**, Carlsbad, CA (US); **Patrick Dawson**, Poway, CA (US); **JulieAnn Larson**, Oceanside, CA (US); **Thomas Vu**, Westminster, CA (US); **Gioacchino Glorioso**, Valley Center, CA (US)

(73) Assignee: **Topgolf Callaway Brands Corp.**, Carlsbad, CA (US)

(\*\*) Term: **15 Years**

(21) Appl. No.: **29/797,874**

(22) Filed: **Jul. 2, 2021**

(51) **LOC (14) Cl.** ..... **21-02**

(52) **U.S. Cl.**  
USPC ..... **D21/743**

(58) **Field of Classification Search**  
USPC ..... D21/736-746, 759  
CPC ..... A63B 53/00; A63B 53/04; A63B 53/007;  
A63B 53/065; A63B 53/0487; A63B  
60/00; A63B 60/46

See application file for complete search history.

(56) **References Cited**

**U.S. PATENT DOCUMENTS**

D207,227 S *	3/1967	Solheim	.....	D21/739
D239,951 S *	5/1976	Carrier	.....	D21/742
D438,272 S *	2/2001	Moore	.....	D21/736
D498,276 S *	11/2004	Schweigert	.....	D21/743
D535,712 S *	1/2007	Toroussian	.....	D21/749
D583,887 S *	12/2008	Cameron	.....	D21/743
D638,892 S *	5/2011	Hettinger	.....	D21/743
D643,893 S *	8/2011	Rollinson	.....	D21/742
D650,456 S *	12/2011	Tang	.....	D21/743
D688,339 S *	8/2013	Hilton	.....	D21/736

D689,574 S *	9/2013	Rollinson	.....	D21/743
D702,782 S *	4/2014	Wempe	.....	D21/743
9,033,812 B2 *	5/2015	Solheim	.....	A63B 53/007 473/409
9,649,543 B2 *	5/2017	Solheim	.....	A63B 53/007
D796,597 S *	9/2017	Serrano	.....	D21/736
9,925,434 B2 *	3/2018	Solheim	.....	A63B 53/007
D817,425 S *	5/2018	Toulon	.....	D21/759
9,956,463 B2 *	5/2018	Franklin	.....	A63B 60/54
D837,315 S *	1/2019	Rollinson	.....	D21/743
10,173,105 B2 *	1/2019	Myers	.....	A63B 53/0487
D852,301 S *	6/2019	Serrano	.....	D21/743
D857,135 S *	8/2019	Serrano	.....	D21/736
D859,544 S *	9/2019	Wang	.....	D21/736

(Continued)

**OTHER PUBLICATIONS**

Golf putters google search; google.com; Jan. 6, 2023.\*  
Callaway putters google search; google.com; Jan. 6, 2023.\*  
Odyssey golf putters; callawaygolf.com; 8 pages; Jan. 6, 2023.\*

*Primary Examiner* — Mitchell I. Siegel

(74) *Attorney, Agent, or Firm* — Michael A. Catania;  
Rebecca Hanovice; Sonia Lari

(57) **CLAIM**

The ornamental design for a putter head, as shown and described.

**DESCRIPTION**

FIG. 1 is a rear perspective view of the putter head claimed herein;

FIG. 2 is a front elevational view thereof;

FIG. 3 is a rear elevational view thereof;

FIG. 4 is a left side elevational view thereof;

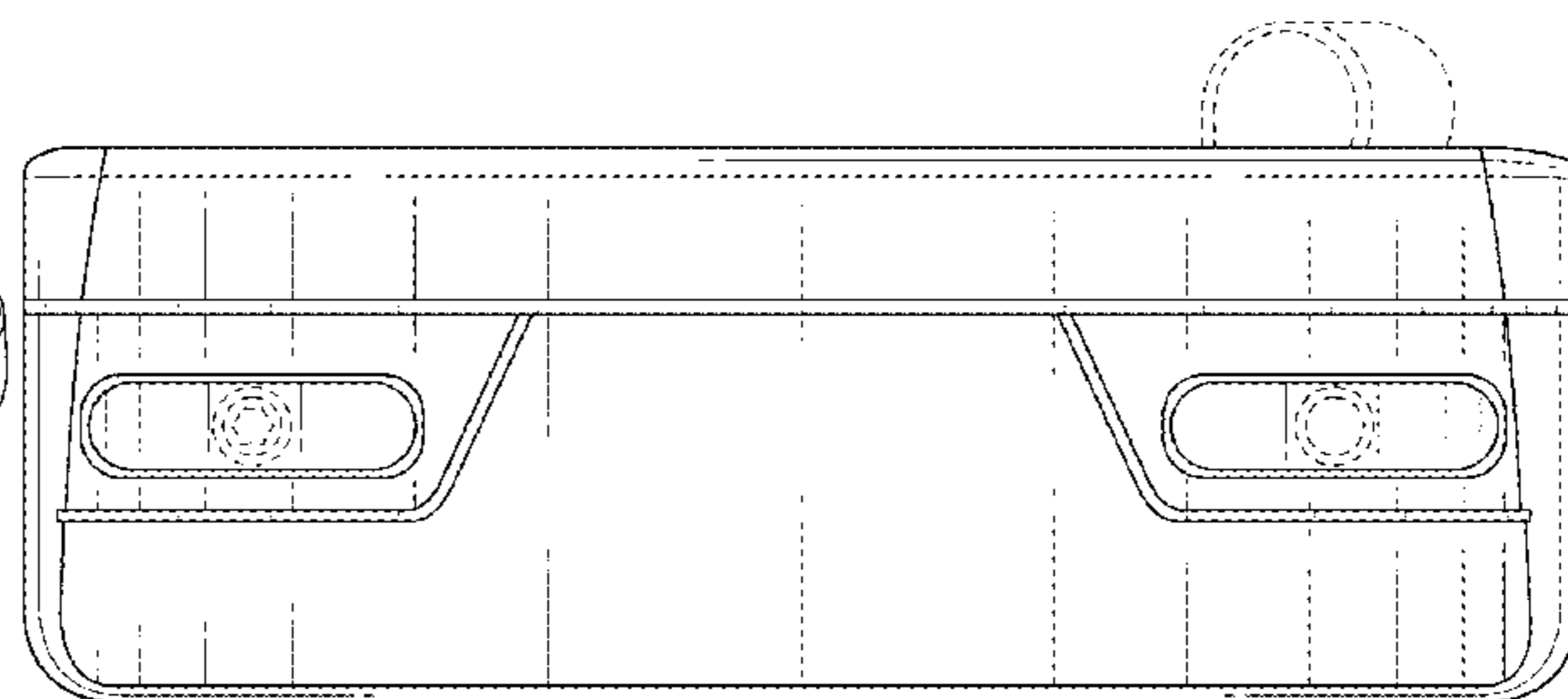
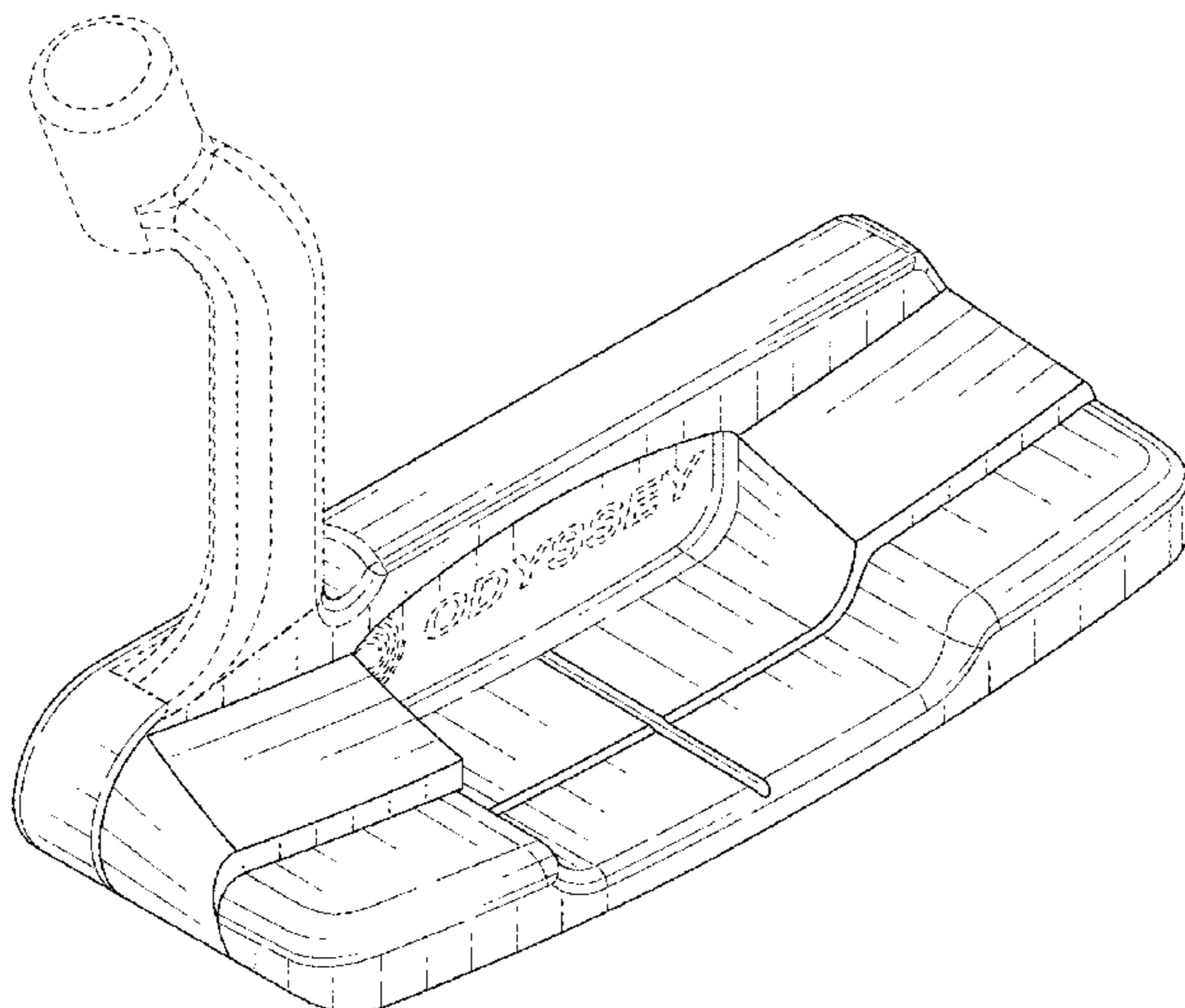
FIG. 5 is a right side elevational view thereof;

FIG. 6 is a top plan view thereof; and,

FIG. 7 is a bottom plan view thereof.

The broken lines shown in the drawings form no part of the claimed design.

**1 Claim, 4 Drawing Sheets**



(56)

**References Cited**

U.S. PATENT DOCUMENTS

D860,351 S *	9/2019	Rollinson .....	D21/743
D865,090 S *	10/2019	Rollinson .....	D21/743
D869,581 S *	12/2019	Aguilar .....	D21/743
D898,845 S *	10/2020	Clarke .....	D21/743
D907,147 S *	1/2021	Agrella .....	D21/743
D928,260 S *	8/2021	Serrano .....	D21/743
D963,089 S *	9/2022	Wang .....	D21/743
D965,090 S *	9/2022	Clarke .....	D21/743
D967,914 S *	10/2022	Higdon .....	D21/743
D972,058 S *	12/2022	Clarke .....	D21/743
2010/0222155 A1 *	9/2010	Jones .....	A63B 53/0487 473/341

\* cited by examiner

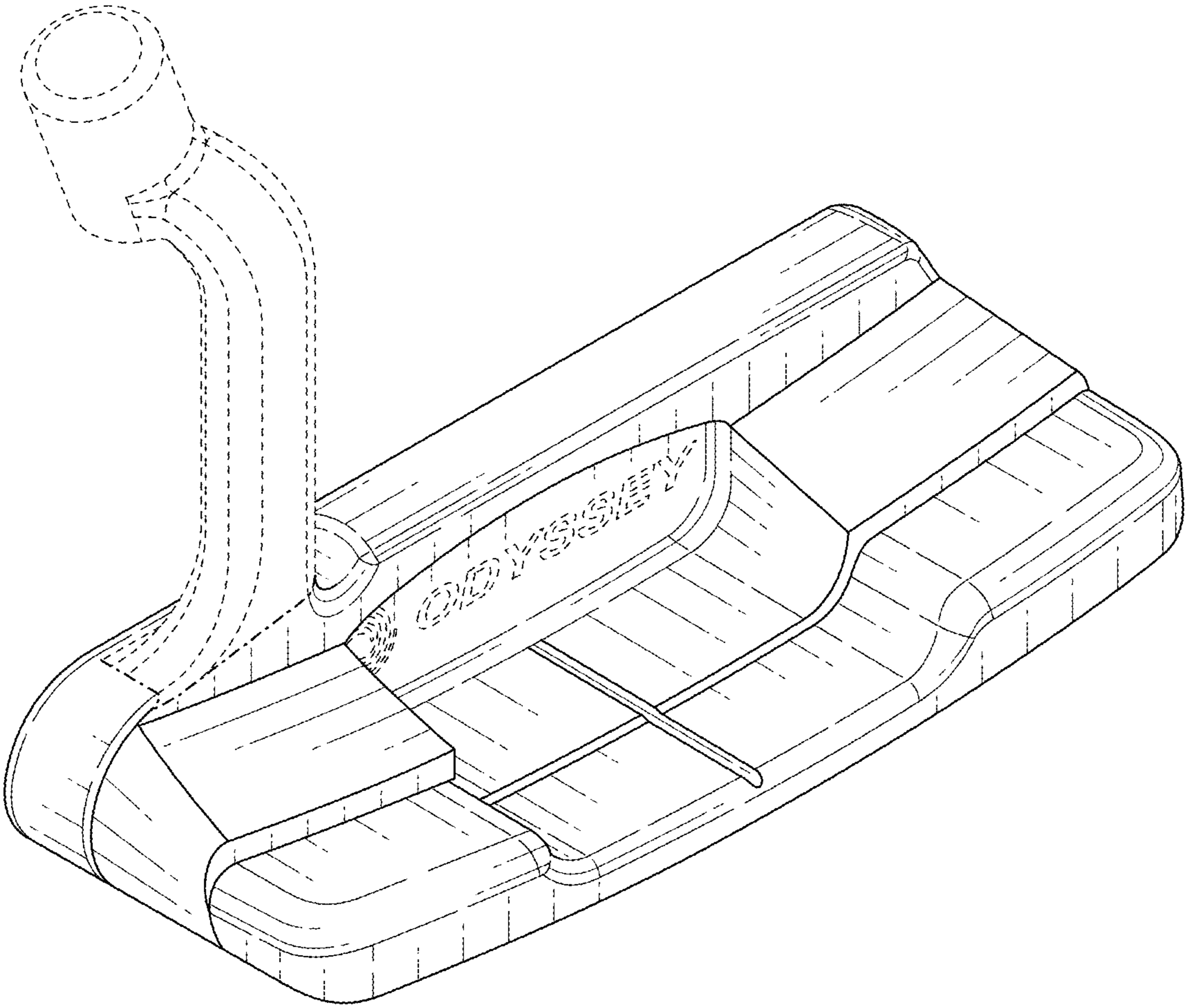


FIG. 1

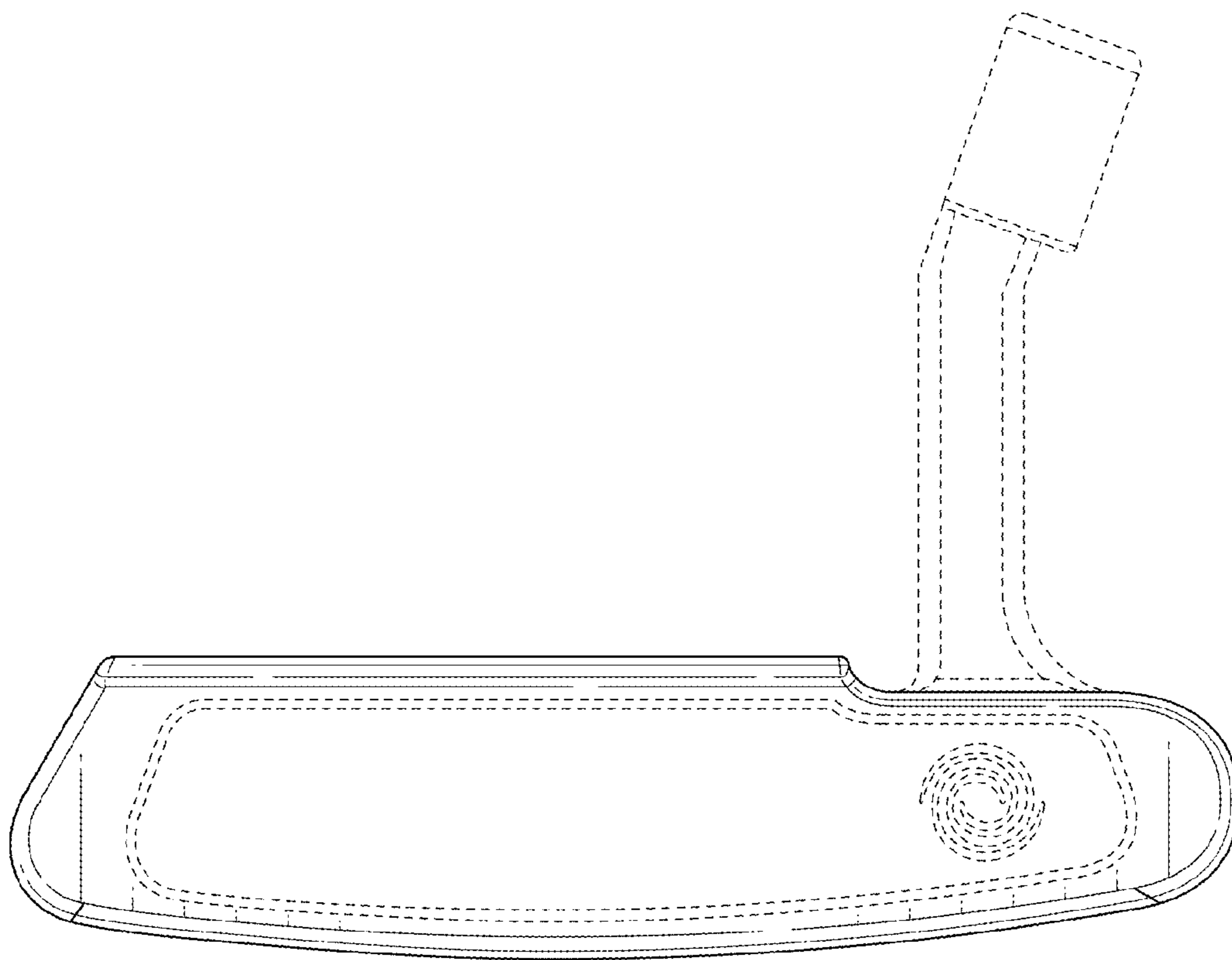


FIG. 2

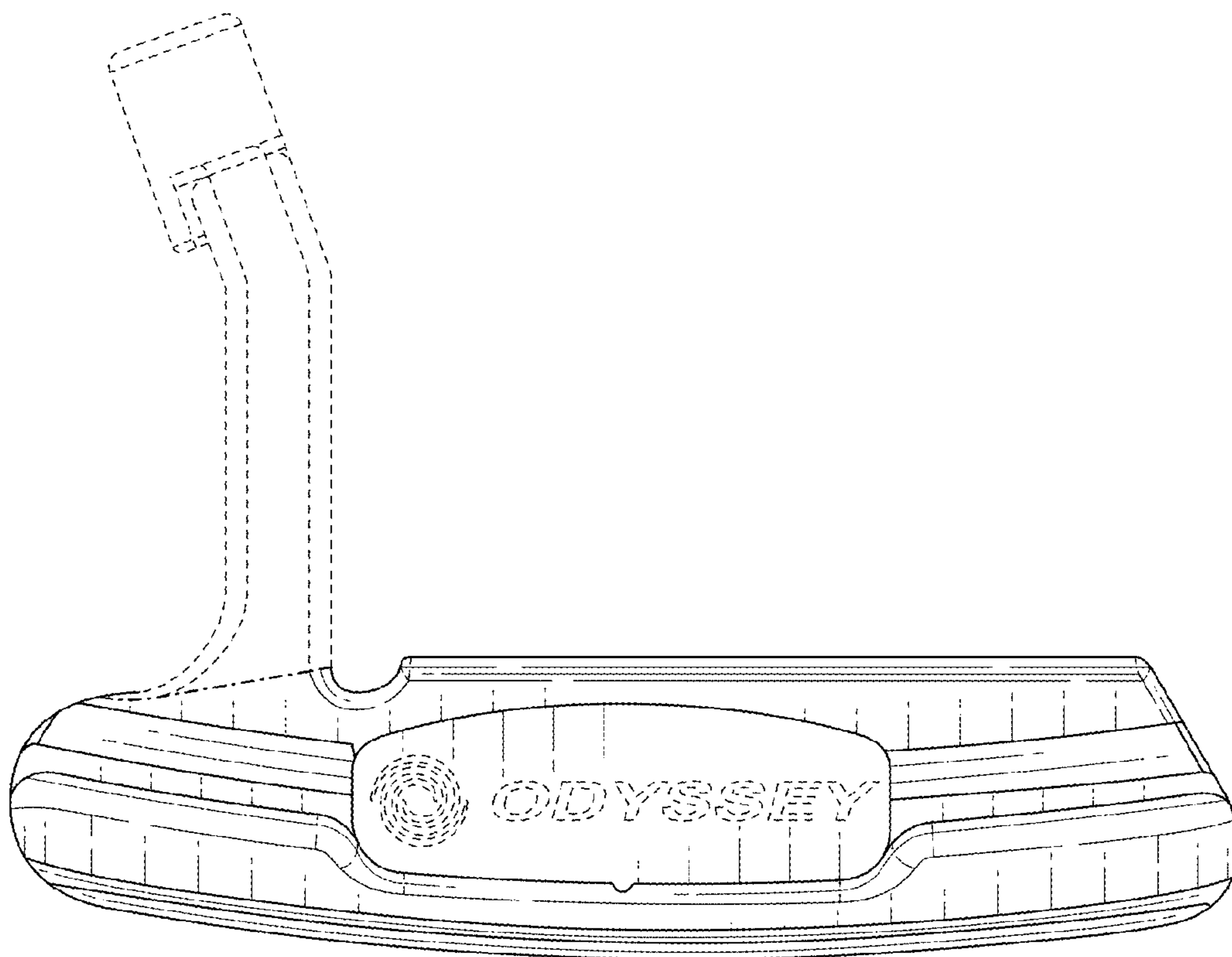


FIG. 3

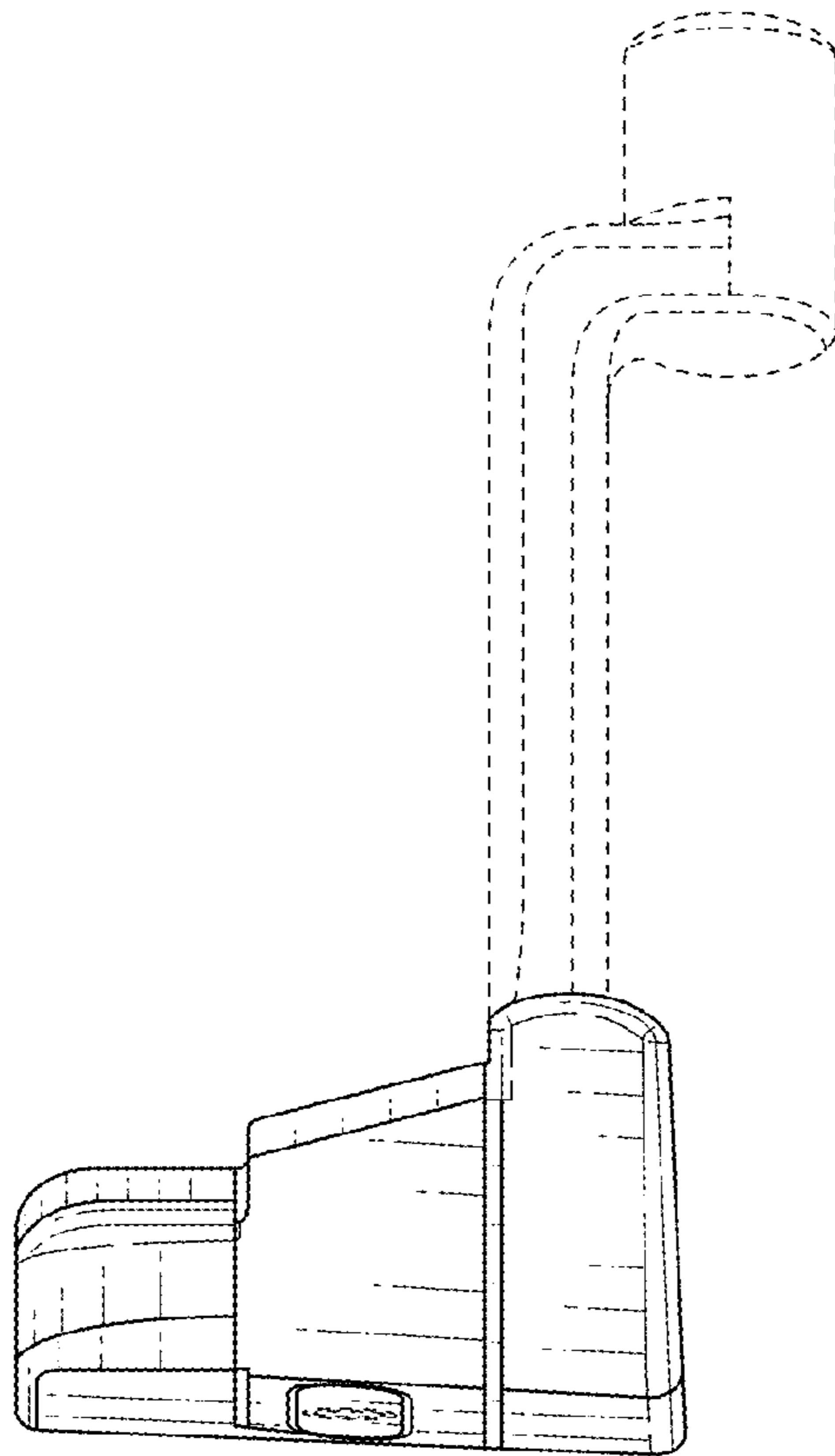


FIG. 4

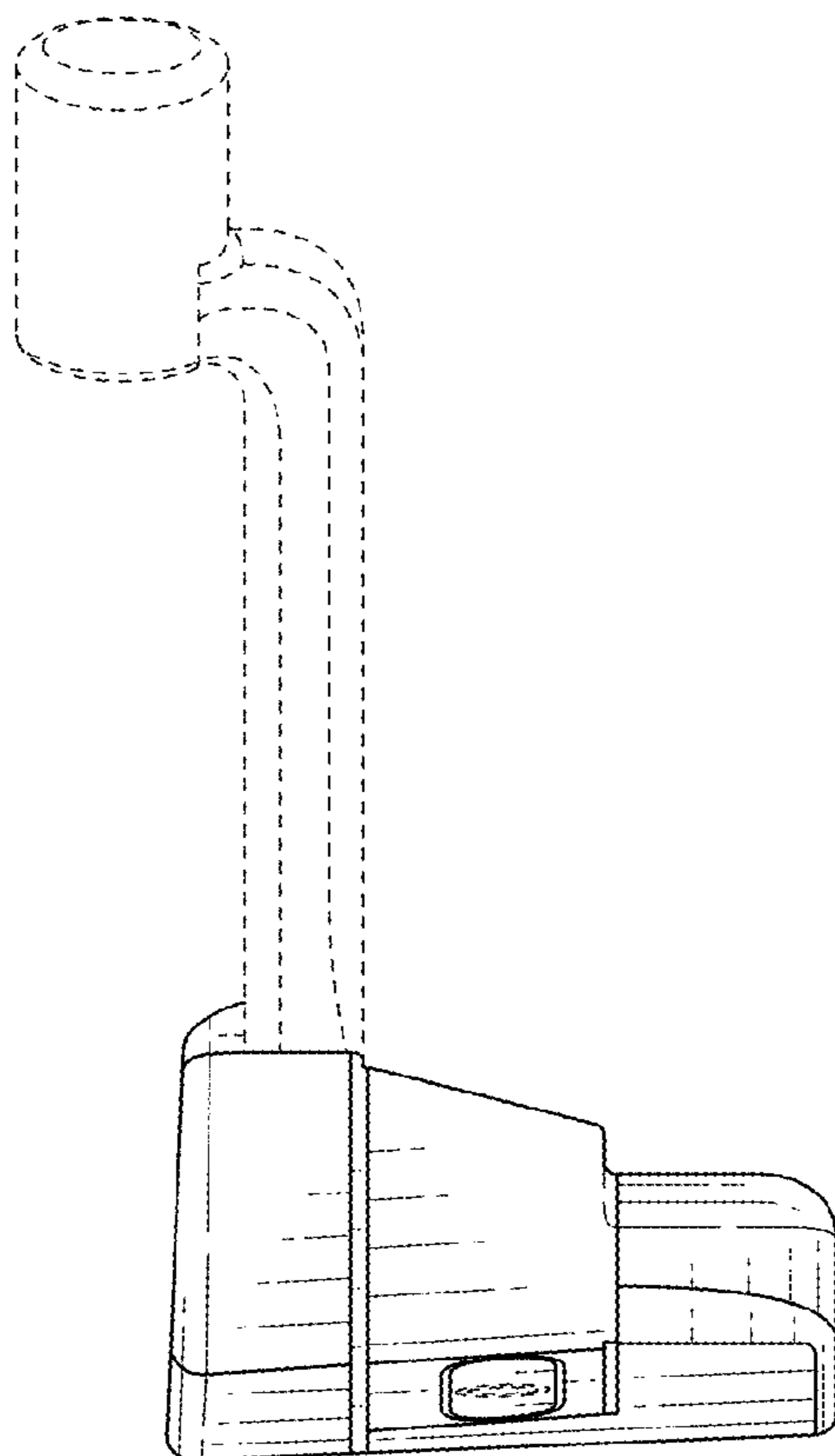


FIG. 5

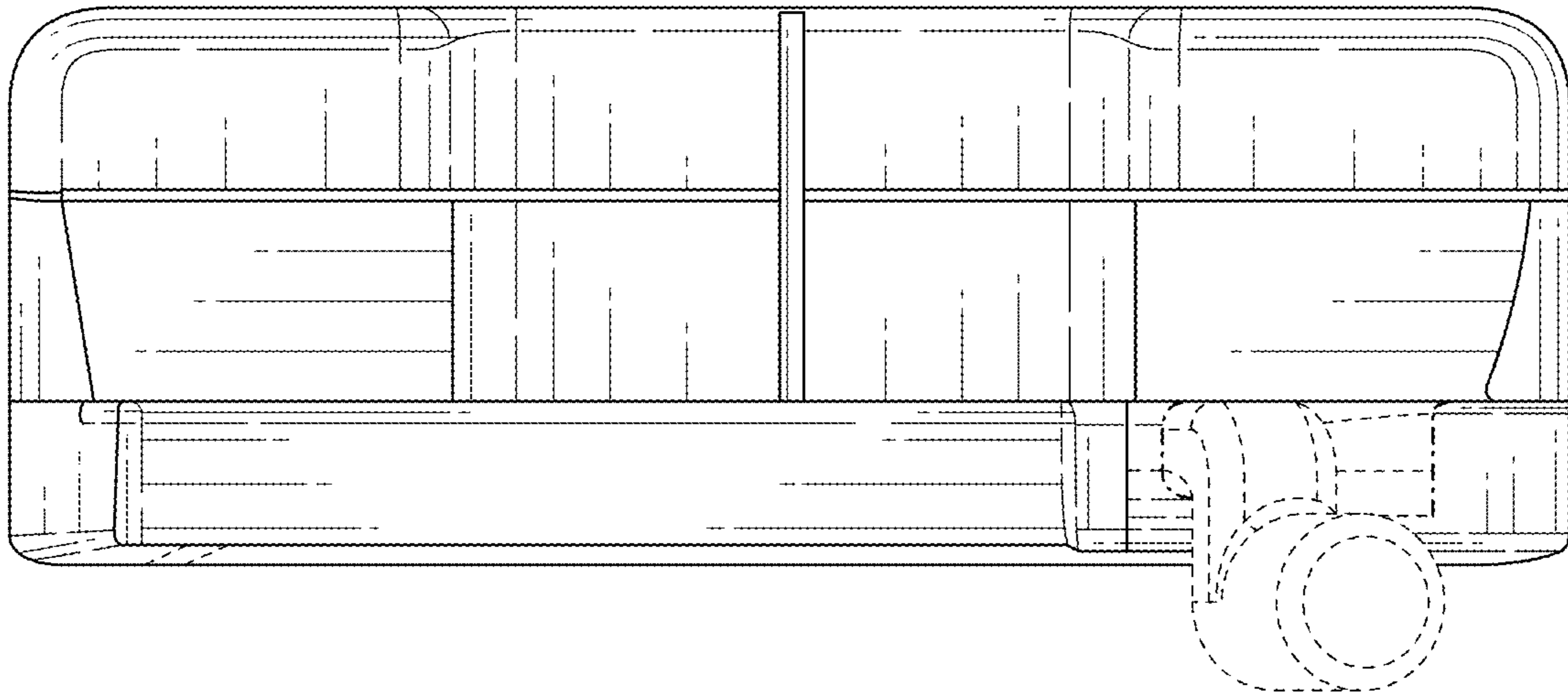


FIG. 6

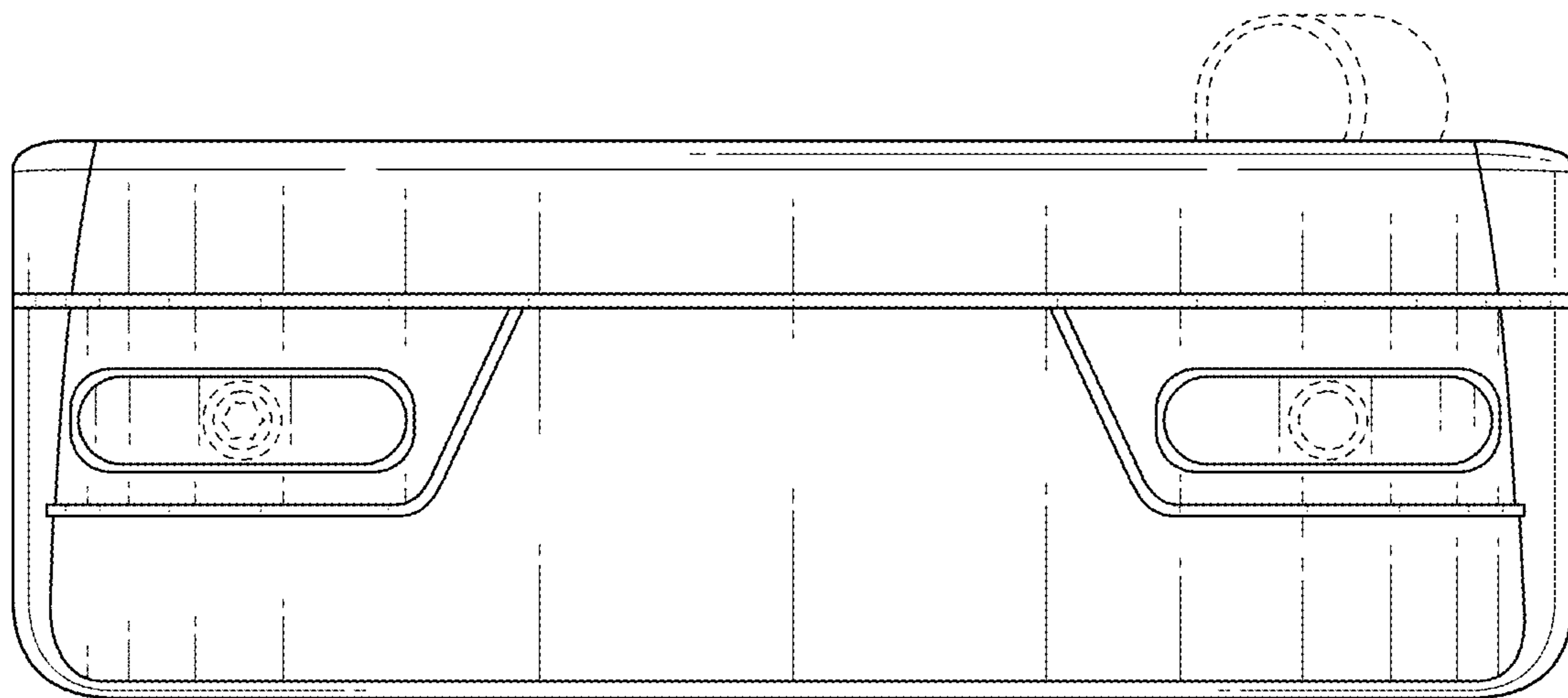


FIG. 7