



US00D980931S

(12) **United States Design Patent**
Toulon et al.

(10) **Patent No.:** **US D980,931 S**

(45) **Date of Patent:** **** Mar. 14, 2023**

(54) **PUTTER HEAD**

(71) Applicant: **Callaway Golf Company**, Carlsbad, CA (US)

(72) Inventors: **Sean Toulon**, Vista, CA (US); **Luke Williams**, Carlsbad, CA (US); **Patrick Dawson**, Poway, CA (US); **JulieAnn Larson**, Oceanside, CA (US); **Thomas Vu**, Westminster, CA (US); **Jim Sotherland**, Escondido, CA (US)

(73) Assignee: **Topgolf Callaway Brands Corp.**, Carlsbad, CA (US)

(**) Term: **15 Years**

(21) Appl. No.: **29/797,872**

(22) Filed: **Jul. 2, 2021**

(51) **LOC (14) Cl.** **21-02**

(52) **U.S. Cl.**
USPC **D21/743**

(58) **Field of Classification Search**
USPC D21/736-746, 759
CPC A63B 53/00; A63B 53/04; A63B 53/007;
A63B 53/065; A63B 53/0487; A63B
60/00; A63B 60/46
See application file for complete search history.

(56) **References Cited**

U.S. PATENT DOCUMENTS

D207,227 S *	3/1967	Solheim	D21/739
D239,951 S *	5/1976	Carrier	D21/742
D389,207 S *	1/1998	Cameron	D21/742
D426,599 S *	6/2000	Morgan	D21/736
D426,600 S *	6/2000	Valentine	D21/736
D443,906 S *	6/2001	Hettinger	D21/743
D449,085 S *	10/2001	Breier	D21/744
D521,580 S *	5/2006	Burrows	D21/736
D548,294 S *	8/2007	Nguyen	D21/736
D552,196 S *	10/2007	Hueber	D21/742

D562,921 S *	2/2008	Nguyen	D21/742
D590,462 S *	4/2009	Hettinger	D21/743
7,927,226 B1 *	4/2011	Twitty	A63B 53/0487 473/254
D643,893 S *	8/2011	Rollinson	D21/742
D648,407 S *	11/2011	Teramoto	D21/743
D691,225 S *	10/2013	Hilton	D21/736
D733,817 S *	7/2015	Jorgensen	D21/736
D769,383 S *	10/2016	Abbott	D21/743
D796,597 S *	9/2017	Serrano	D21/736
D817,424 S *	5/2018	Toulon	D21/759
D818,551 S *	5/2018	Toulon	D21/759
D832,379 S *	10/2018	Jertson	D21/736
D869,582 S *	12/2019	Rollinson	D21/743

(Continued)

OTHER PUBLICATIONS

Golf putters google search; google.com; Jan. 6, 2023.*
Callaway putters google search; google.com; Jan. 6, 2023.*
Golf putters; callawaygolf.com; 8 pages; Jan. 6, 2023.*

Primary Examiner — Mitchell I. Siegel

(74) *Attorney, Agent, or Firm* — Michael A. Catania;
Rebecca Hanovice; Sonia Lari

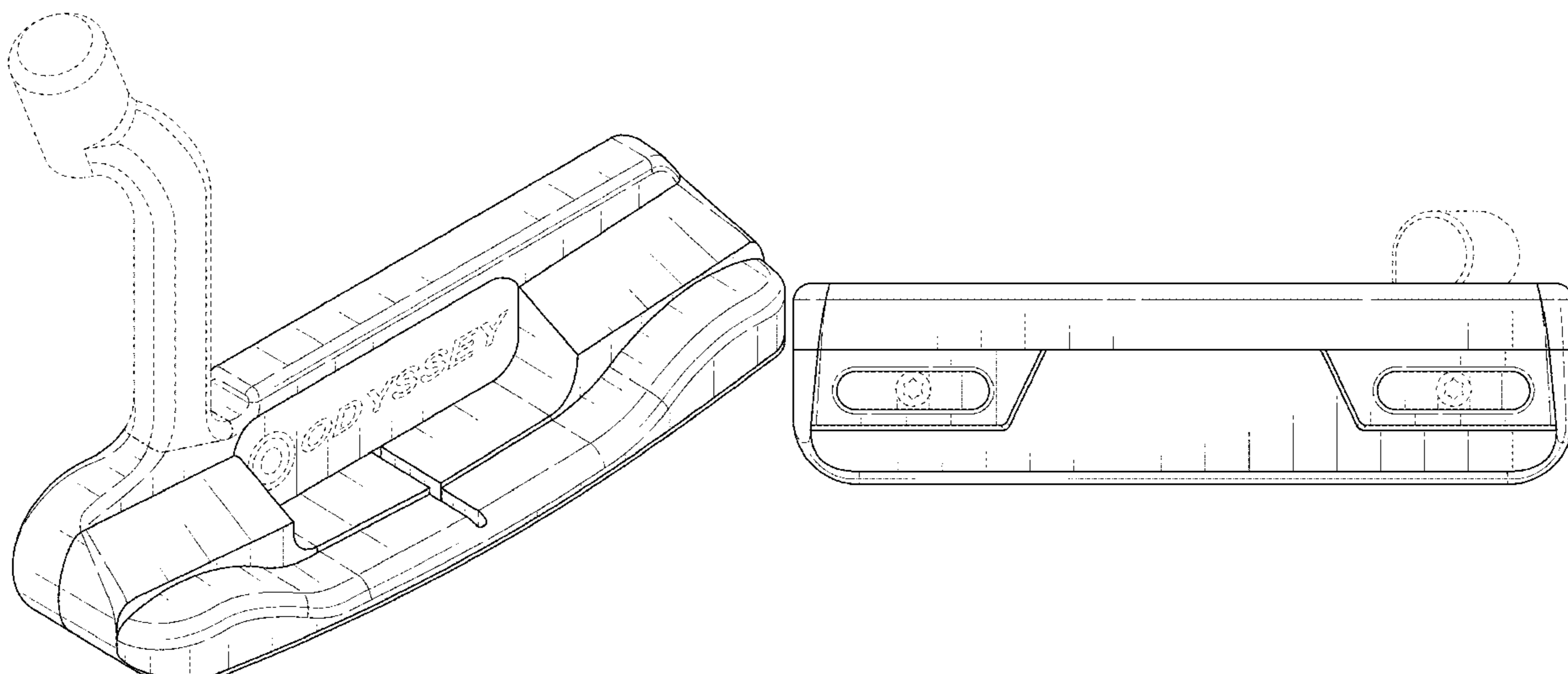
(57) **CLAIM**

The ornamental design for a putter head, as shown and described.

DESCRIPTION

FIG. 1 is a rear perspective view of the putter head claimed herein;
FIG. 2 is a front elevational view thereof;
FIG. 3 is a rear elevational view thereof;
FIG. 4 is a left side elevational view thereof;
FIG. 5 is a right side elevational view thereof;
FIG. 6 is a top plan view thereof; and,
FIG. 7 is a bottom plan view thereof.
The broken lines shown in the drawings form no part of the claimed design.

1 Claim, 5 Drawing Sheets



(56)

References Cited

U.S. PATENT DOCUMENTS

D869,583 S	*	12/2019	Rollinson	D21/743
D874,590 S	*	2/2020	Lee	D21/743
D912,746 S	*	3/2021	Toulon	D21/743
D965,090 S	*	9/2022	Clarke	D21/743

* cited by examiner

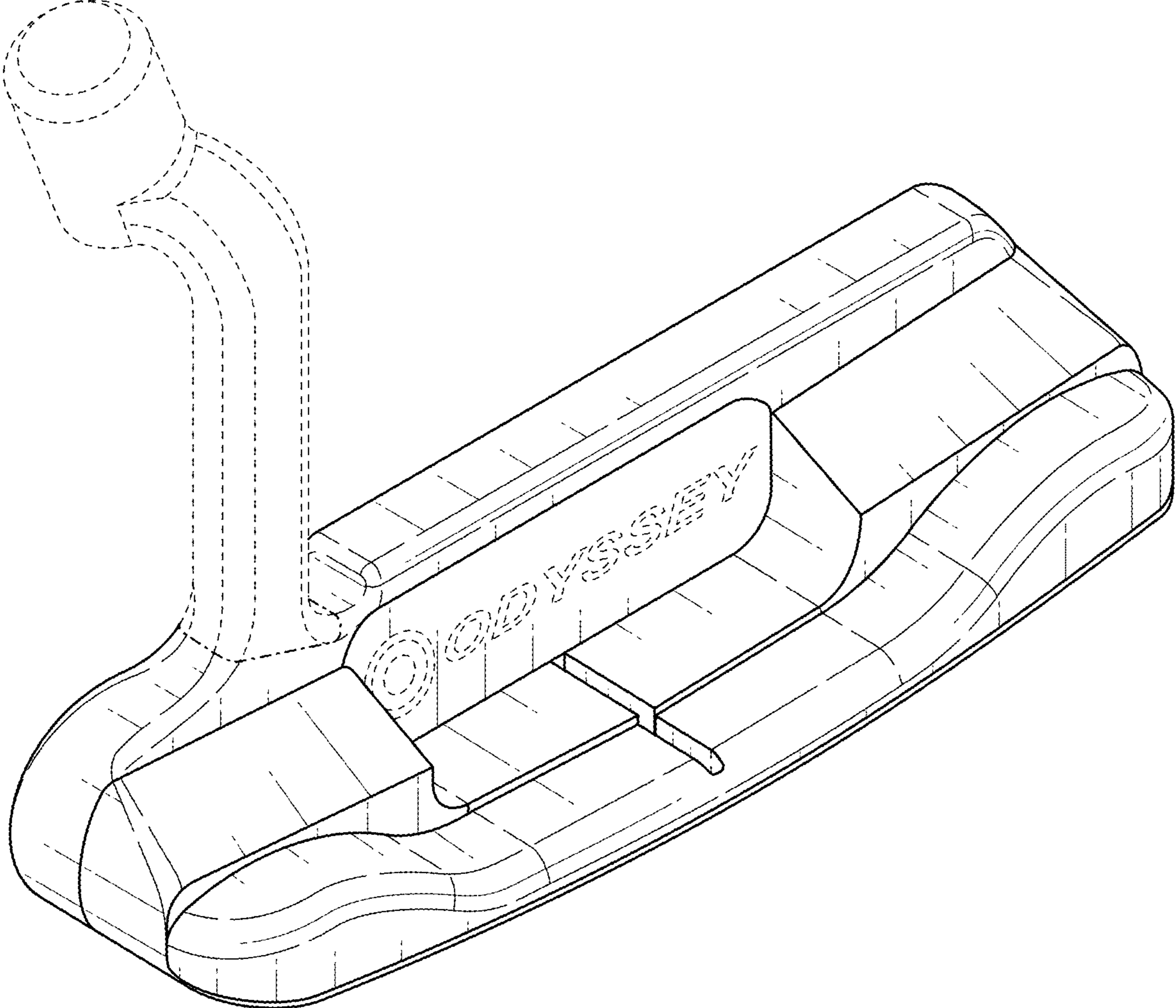


FIG. 1

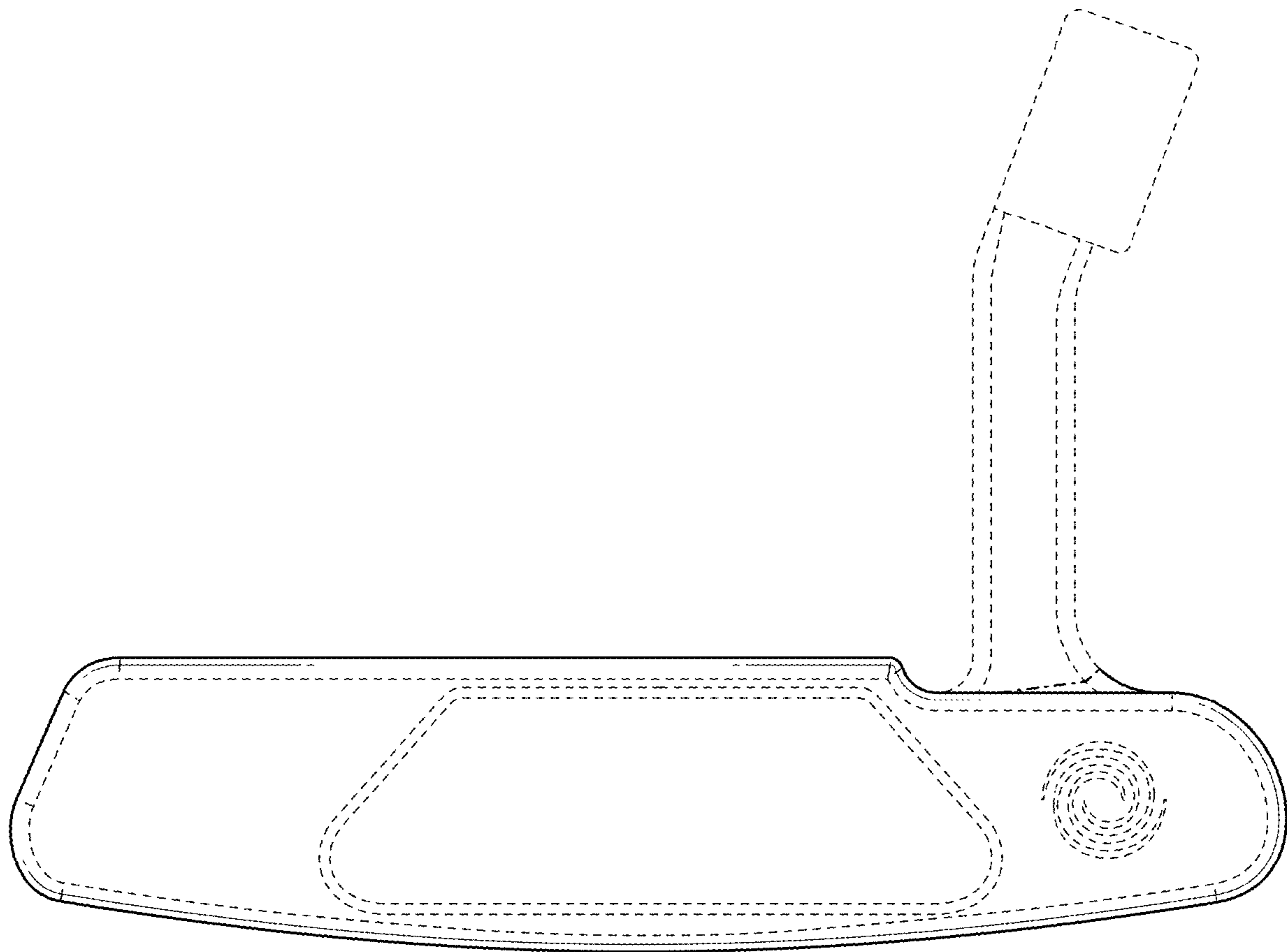


FIG. 2

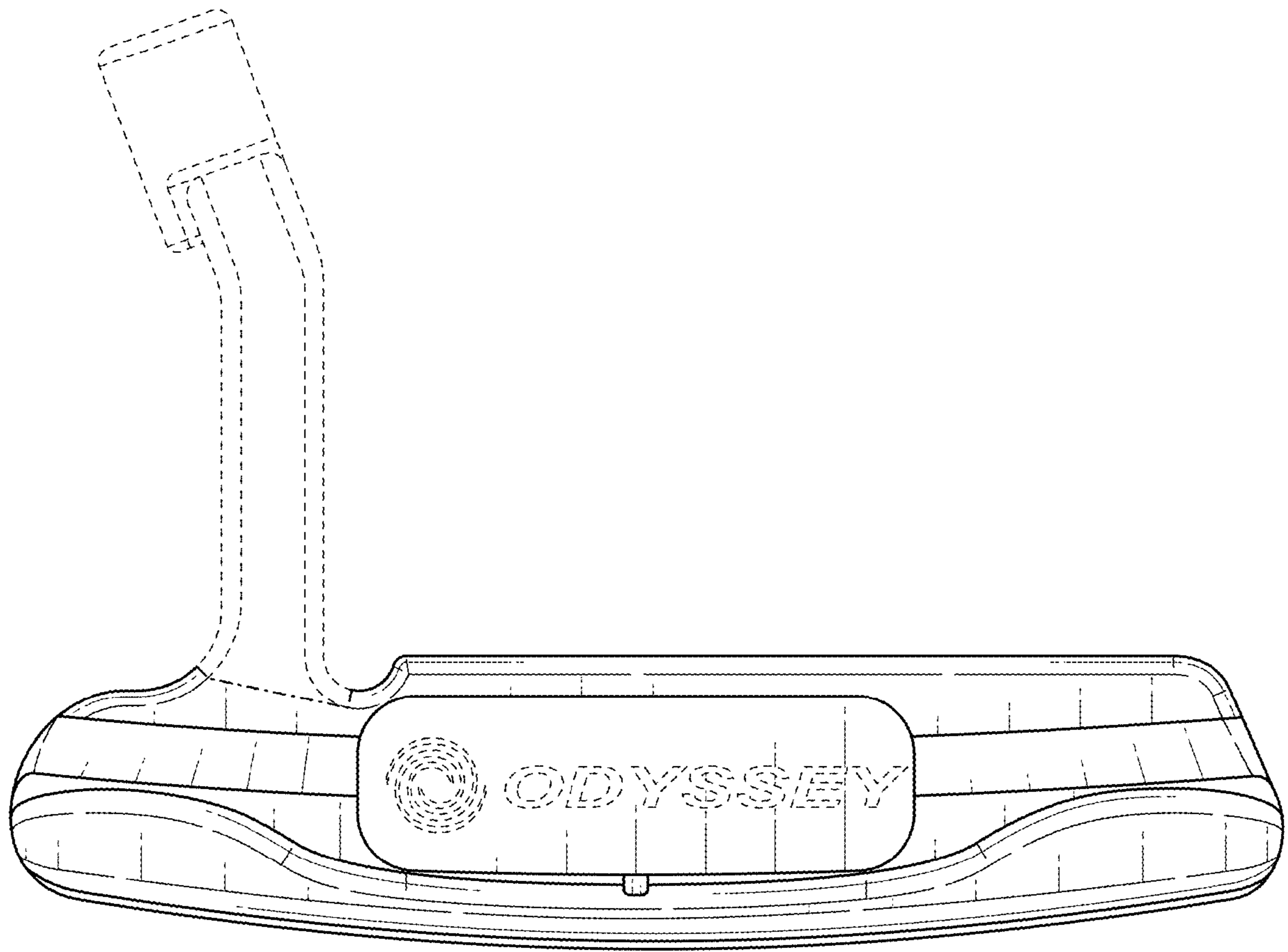


FIG. 3

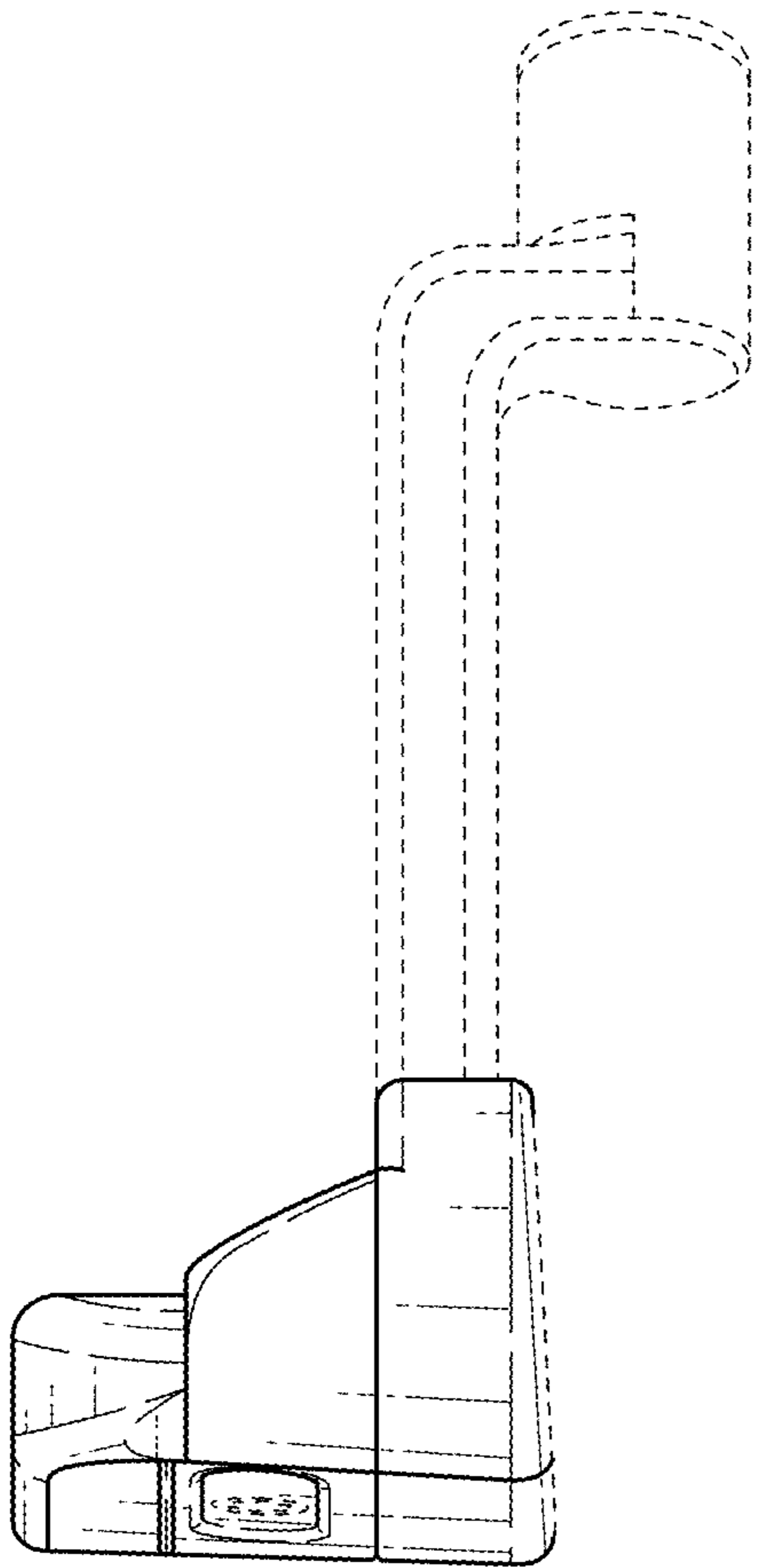


FIG. 4

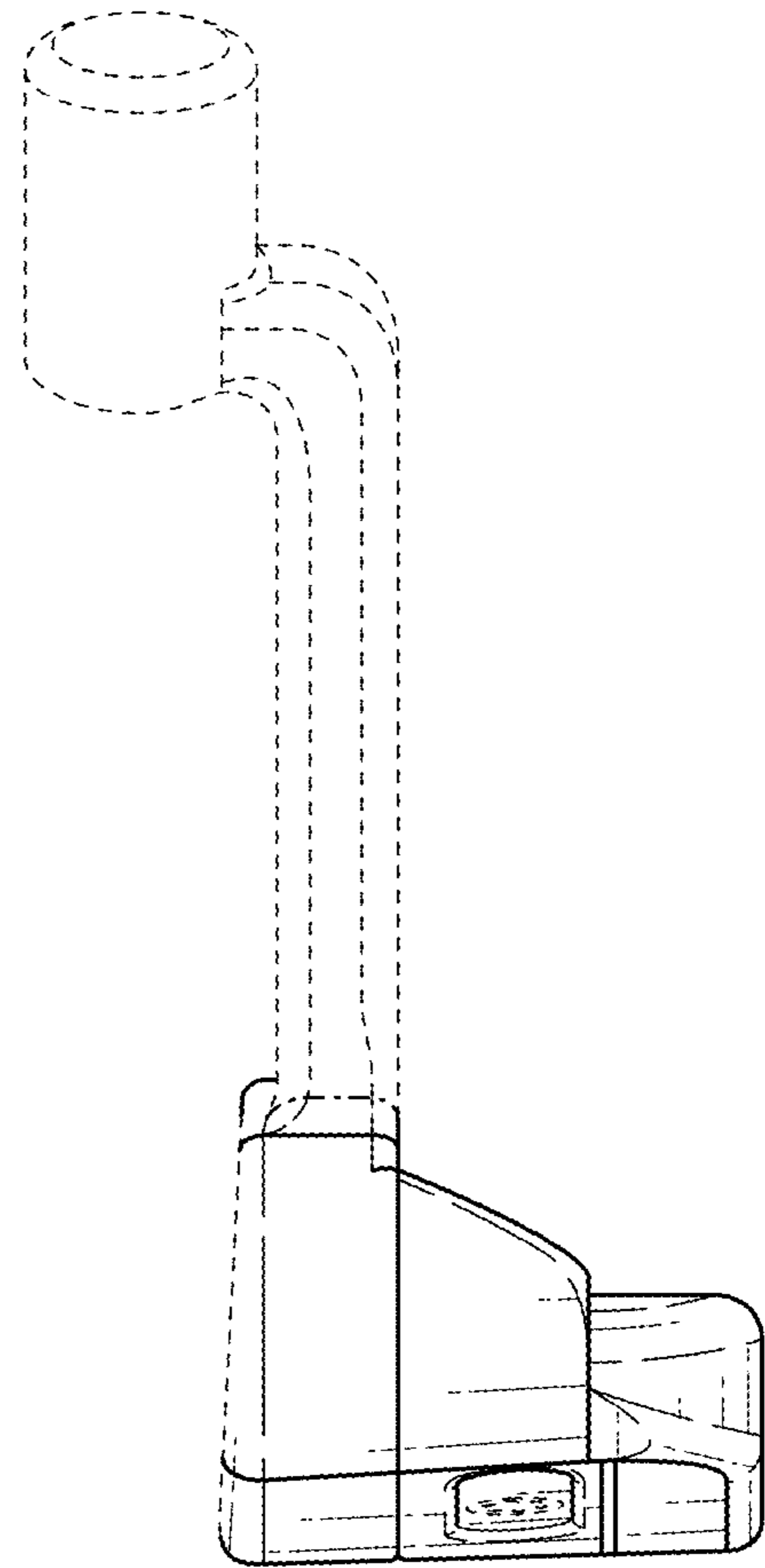


FIG. 5

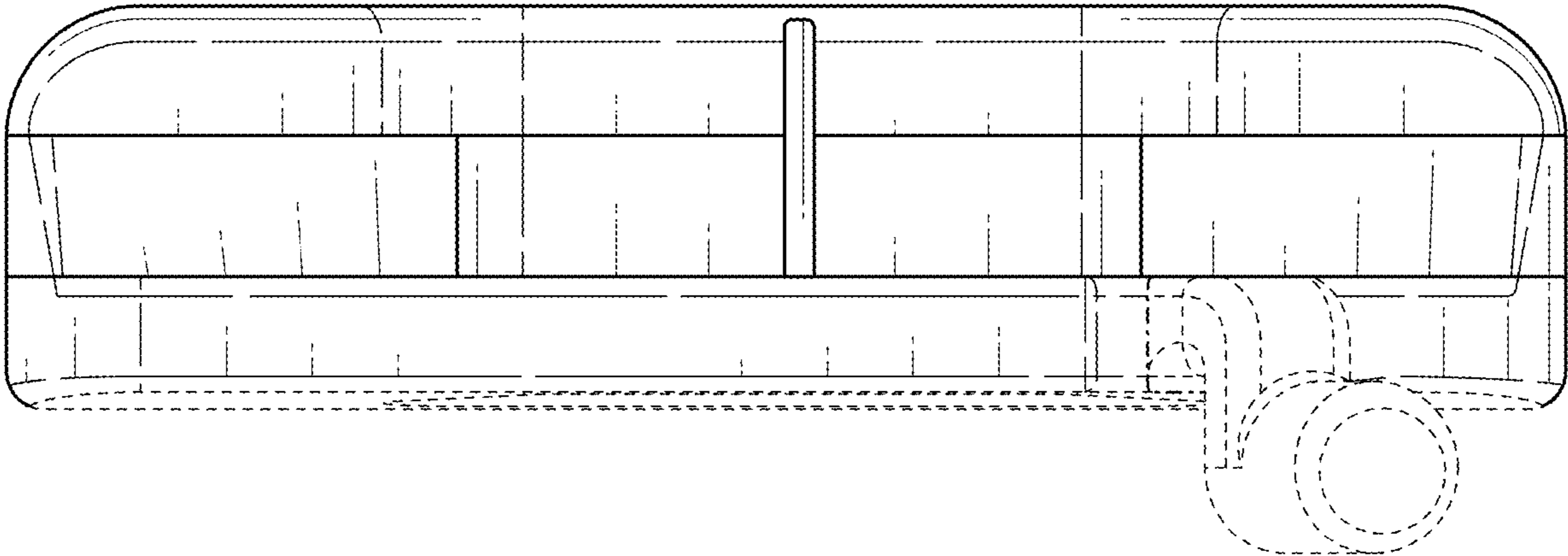


FIG. 6

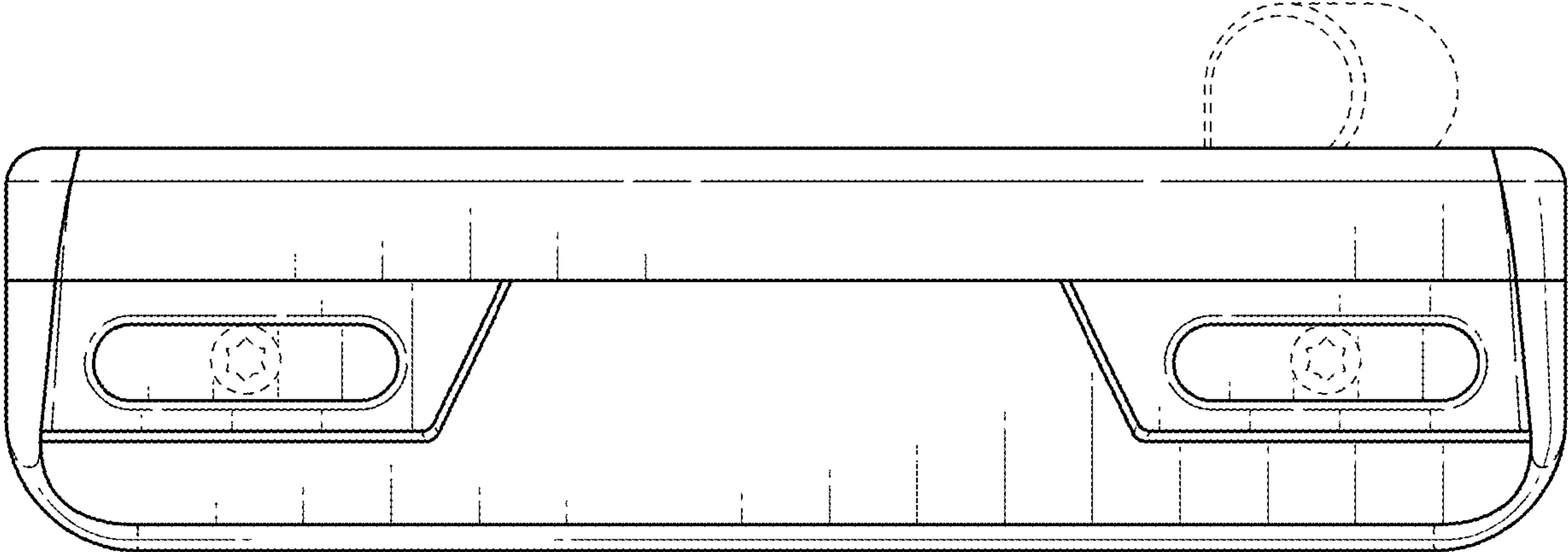


FIG. 7