



US00D980927S

(12) **United States Design Patent**  
**Chin**

(10) **Patent No.:** **US D980,927 S**

(45) **Date of Patent:** **\*\* Mar. 14, 2023**

(54) **SEESAW**

(71) Applicant: **Taan-Kuan Chin**, Taipei (TW)

(72) Inventor: **Taan-Kuan Chin**, Taipei (TW)

(\*\*) Term: **15 Years**

(21) Appl. No.: **29/745,190**

(22) Filed: **Aug. 4, 2020**

(30) **Foreign Application Priority Data**

Jul. 29, 2020 (TW) ..... 109304206

(51) **LOC (14) Cl.** ..... **21-02**

(52) **U.S. Cl.**  
USPC ..... **D21/688**

(58) **Field of Classification Search**  
USPC ..... D21/811, 814, 828, 830, 412, 688, 662,  
D21/690, 686, 685, 671, 668, 673, 682,  
D21/677, 665, 796, 791, 334; D24/192,  
D24/212, 213, 214  
CPC .... A63G 1/00-48; A63G 11/00; A63H 13/18;  
A63H 13/20  
See application file for complete search history.

(56) **References Cited**

**U.S. PATENT DOCUMENTS**

- 3,614,096 A \* 10/1971 Ely ..... A63G 11/00  
472/4
- 4,319,746 A \* 3/1982 Chang ..... A63G 1/32  
472/4
- D264,987 S \* 6/1982 Wise ..... D21/688
- D276,062 S \* 10/1984 Dennis ..... D21/688
- D365,610 S \* 12/1995 Fraser ..... D6/348
- D375,985 S \* 11/1996 Dailey ..... D8/16
- D418,563 S \* 1/2000 Hwang ..... D21/690
- D739,901 S \* 9/2015 Almarales ..... D21/688
- D741,963 S \* 10/2015 Baumann ..... D21/688
- D810,846 S \* 2/2018 Scott ..... D21/688

- 9,962,574 B2 \* 5/2018 Sperry ..... A63B 22/18
- D825,696 S \* 8/2018 Mercenari Uribe ..... D21/671
- D927,613 S \* 8/2021 Ryan ..... D21/688
- D940,265 S \* 1/2022 Srihari ..... D21/830
- D942,565 S \* 2/2022 Hu ..... D21/688

(Continued)

**OTHER PUBLICATIONS**

“Jolie Vallée Toys & Home Wobble Wooden Balance Board” Feb. 28, 2022, Amazon, site visited Nov. 4, 2022: <https://amzn.to/3A7WITt> (Year: 2022).\*

(Continued)

*Primary Examiner* — Jack Reickel  
*Assistant Examiner* — Salamah Jordan  
(74) *Attorney, Agent, or Firm* — Browdy and Neimark, PLLC

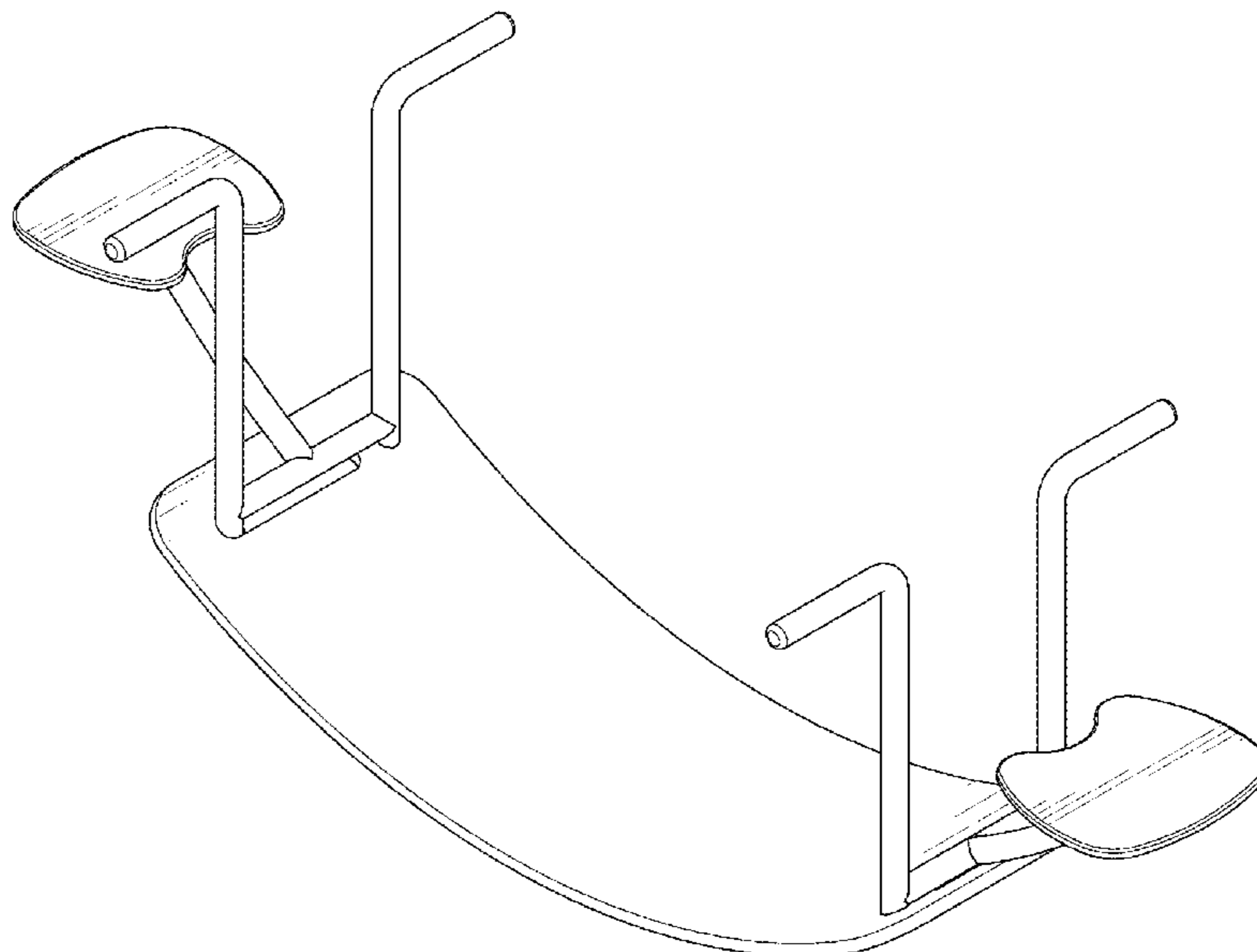
(57) **CLAIM**

The ornamental design for a seesaw, as shown and described.

**DESCRIPTION**

FIG. 1 is a perspective view of a seesaw, showing my new design;  
FIG. 2 is a front elevation view thereof;  
FIG. 3 is a rear elevation view thereof;  
FIG. 4 is a left side elevation view thereof;  
FIG. 5 is a right side elevation view thereof;  
FIG. 6 is a top plan view thereof;  
FIG. 7 is a bottom plan view thereof;  
FIG. 8 is a front elevation view thereof showing the seesaw in use;  
FIG. 9 is a front elevation view thereof showing the seesaw used as a core muscles balancing board; and,  
FIG. 10 is a front elevation view thereof showing the seesaw in use and used as a core muscles balancing board at the same time.  
The broken lines depict portions of the article and environment that form no part of the claimed design.

**1 Claim, 10 Drawing Sheets**



(56)

**References Cited**

U.S. PATENT DOCUMENTS

D958,269 S \* 7/2022 Lopez ..... D21/688  
2011/0059805 A1\* 3/2011 Grossman ..... A63G 11/00  
472/106  
2022/0016478 A1\* 1/2022 Kumada ..... A63C 17/01

OTHER PUBLICATIONS

“Grow’n Up Heracles Seesaw” Apr. 13, 2018, Amazon, site visited  
Nov. 4, 2022: <https://amzn.to/3heAZCE> (Year: 2018).\*

\* cited by examiner

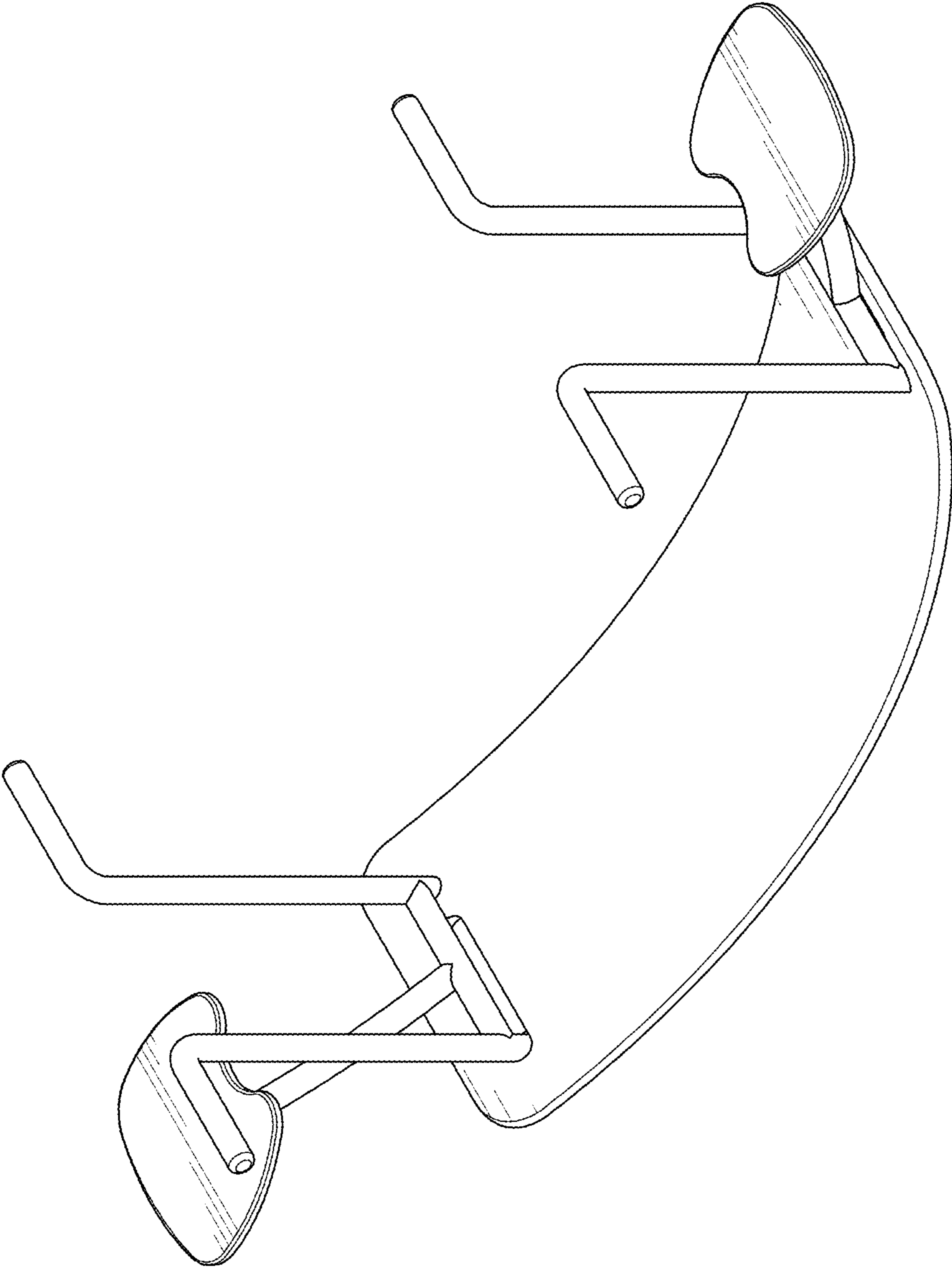


FIG. 1

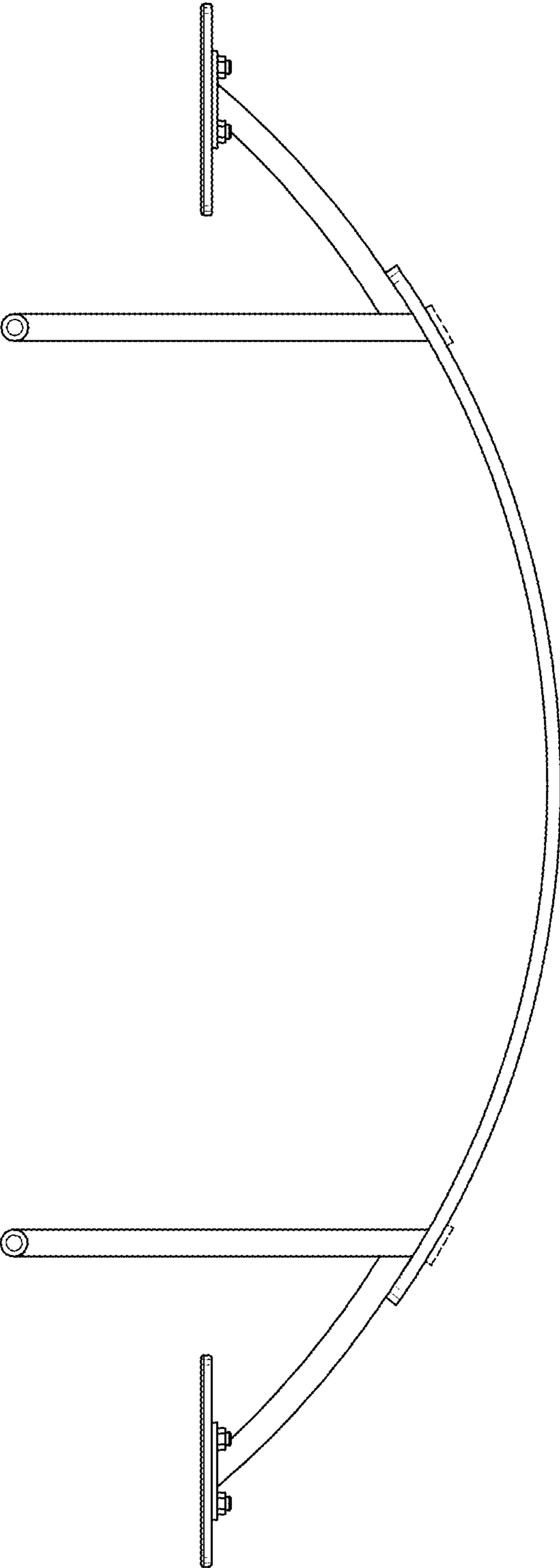


FIG. 2

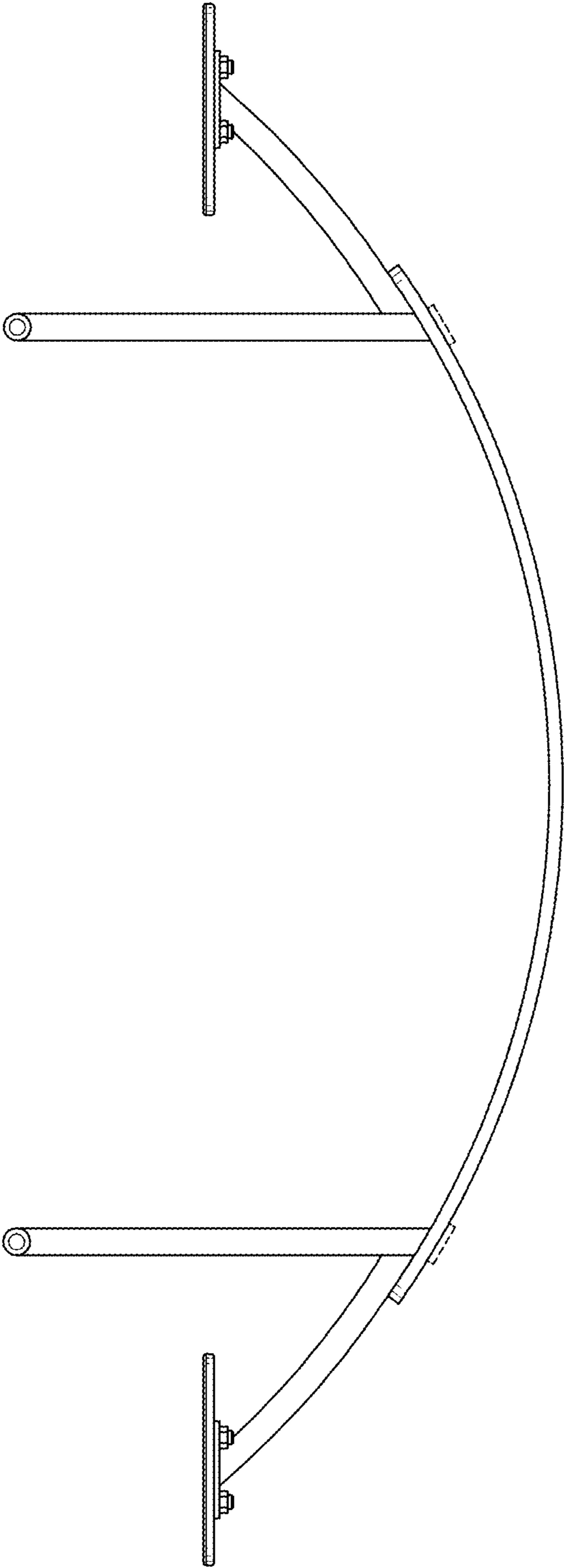


FIG. 3

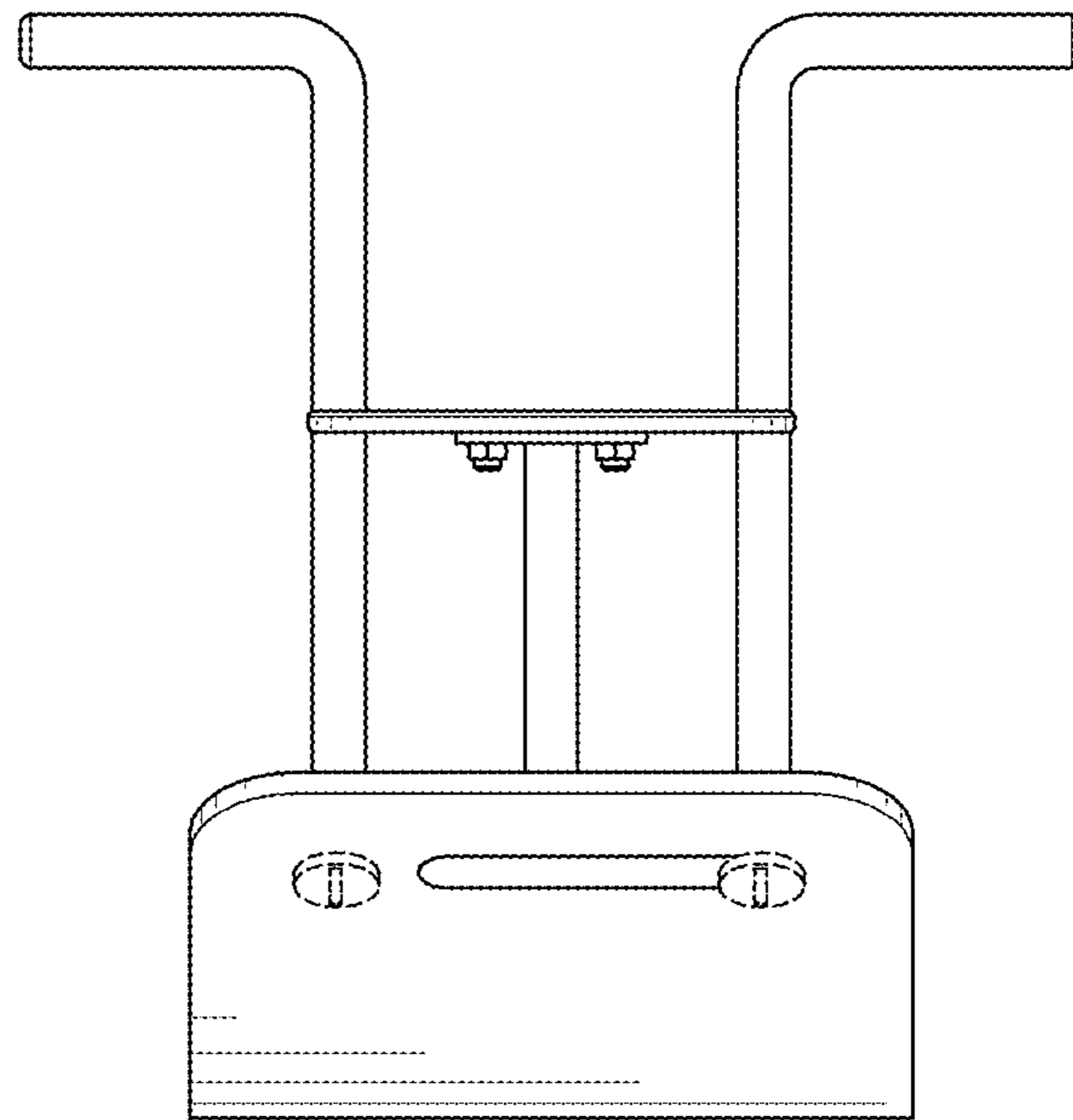


FIG. 4

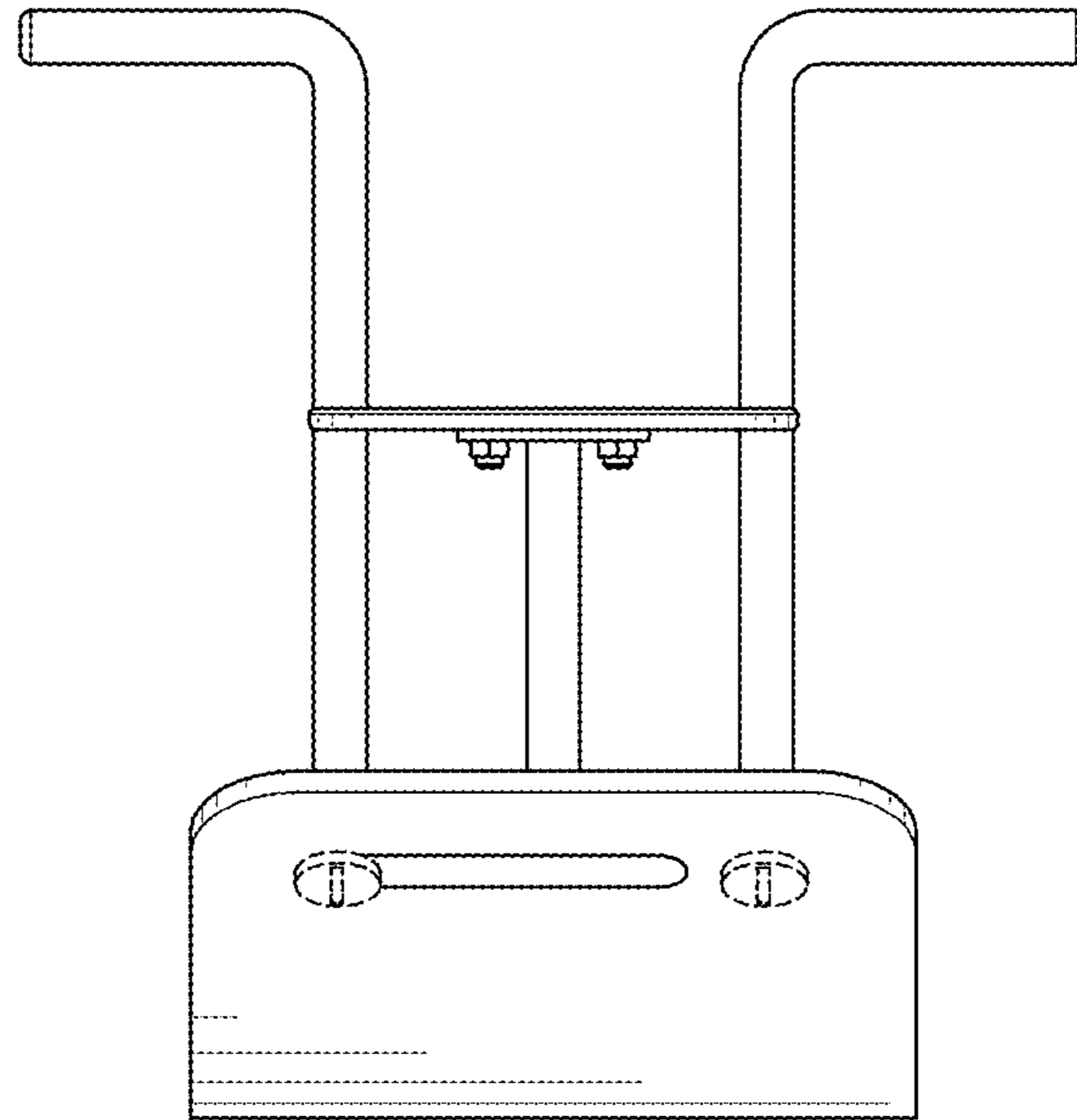


FIG. 5

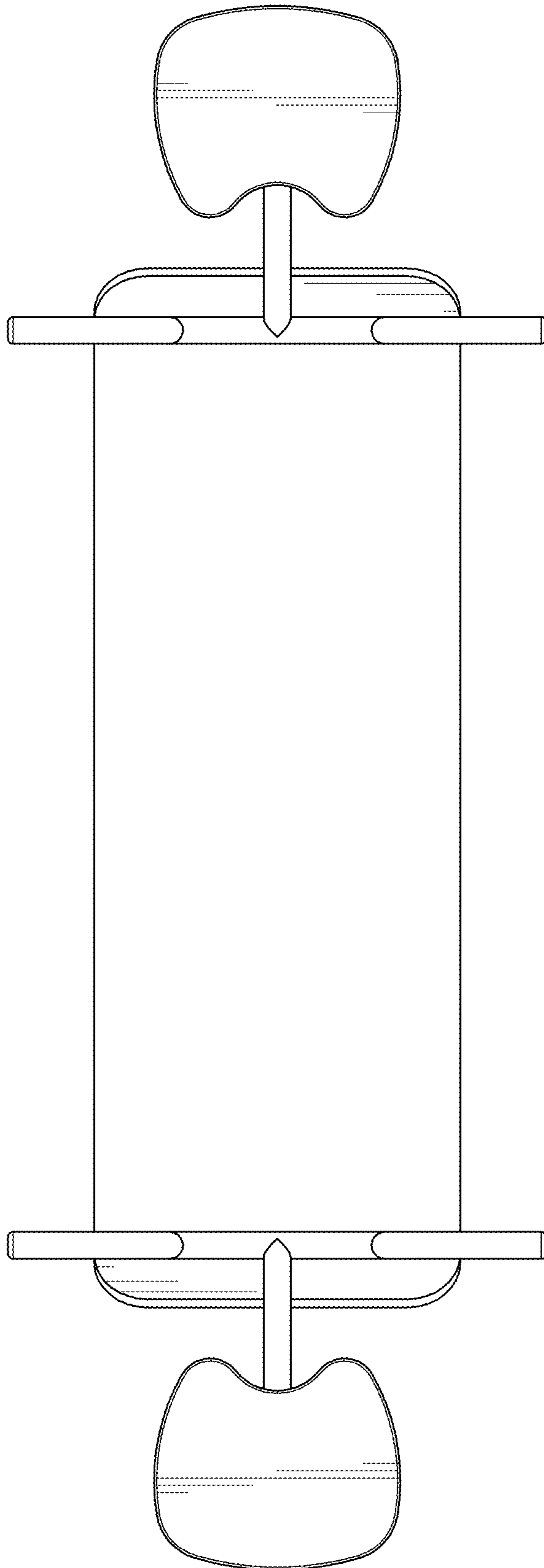


FIG. 6



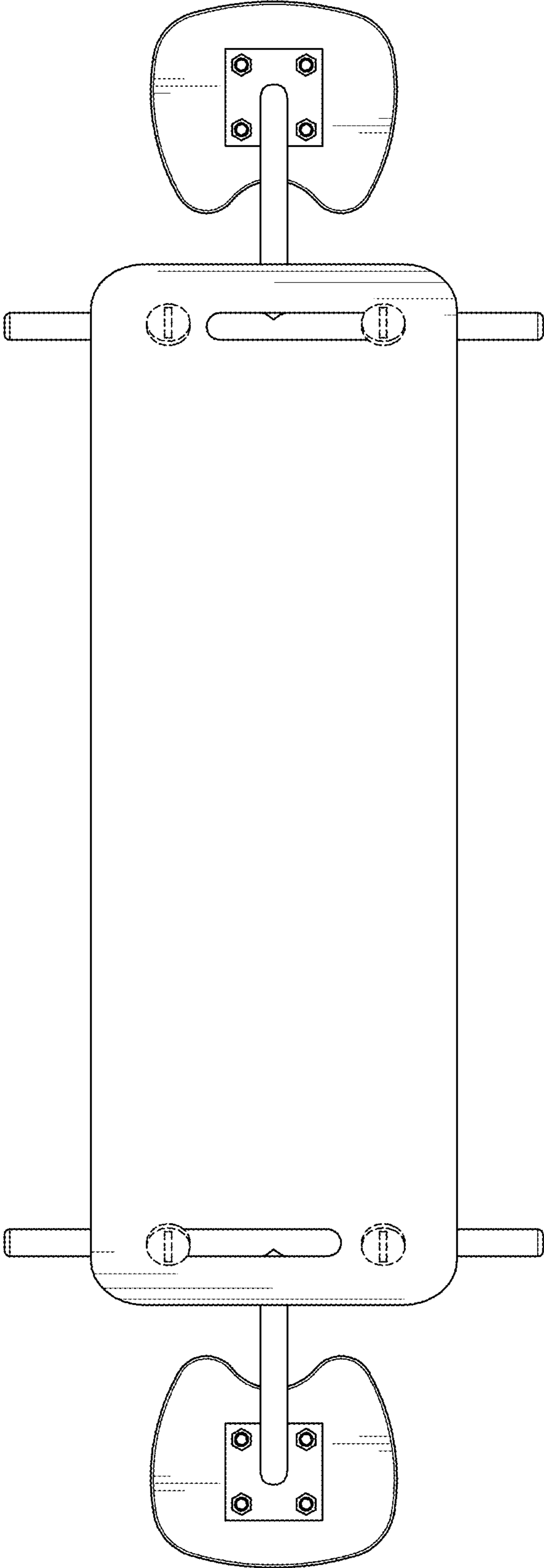


FIG. 7

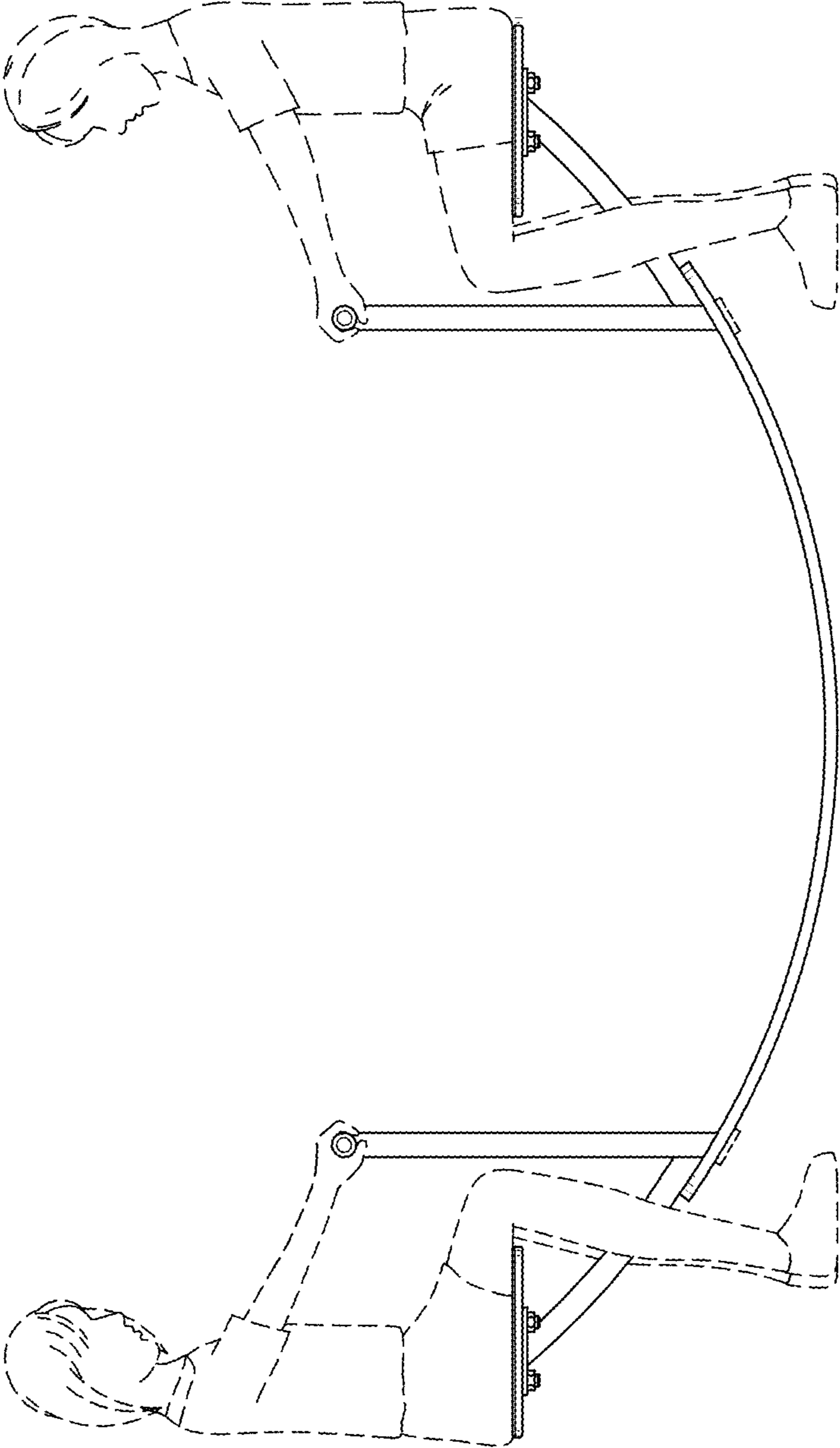


FIG. 8

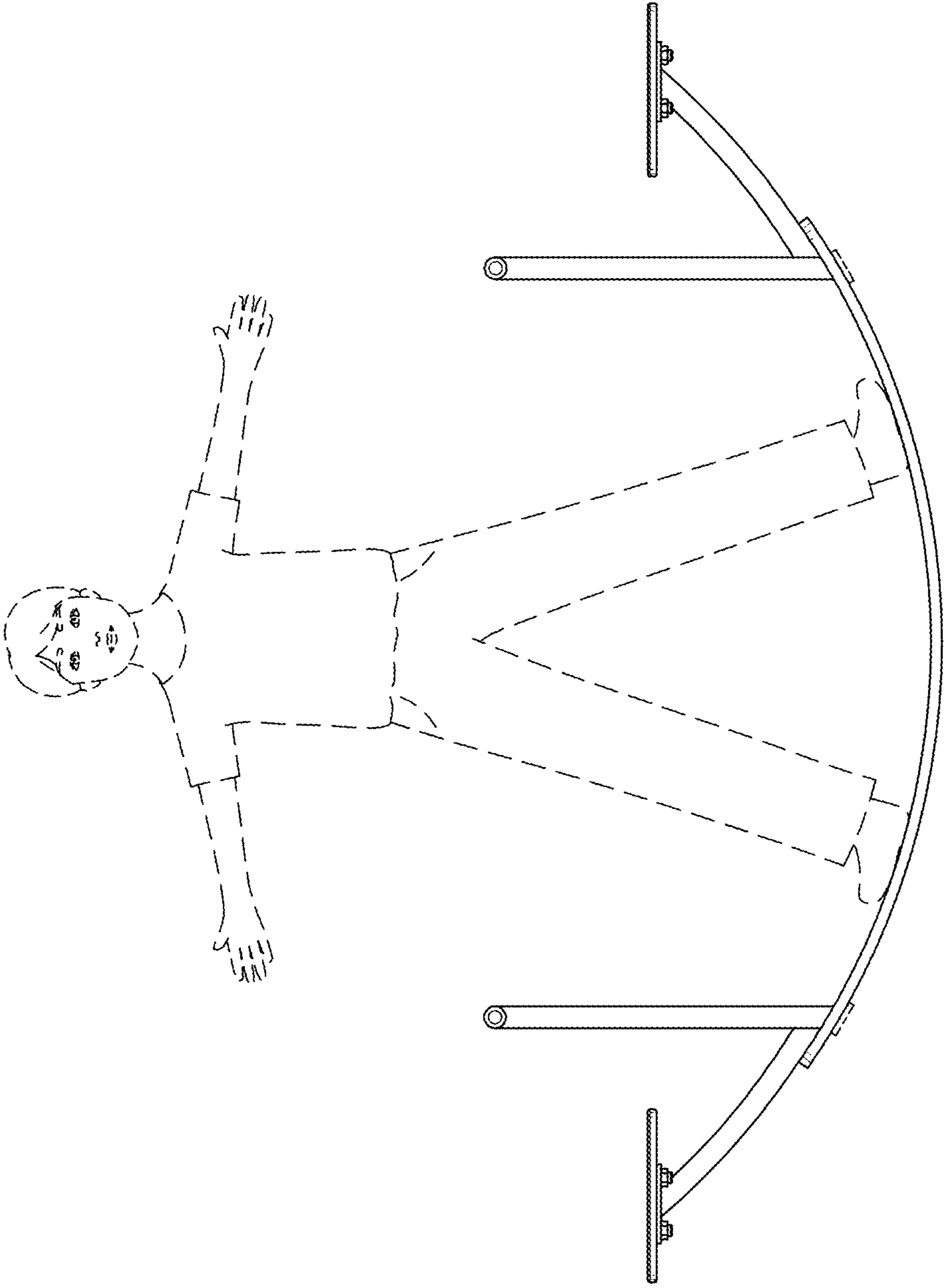


FIG. 9

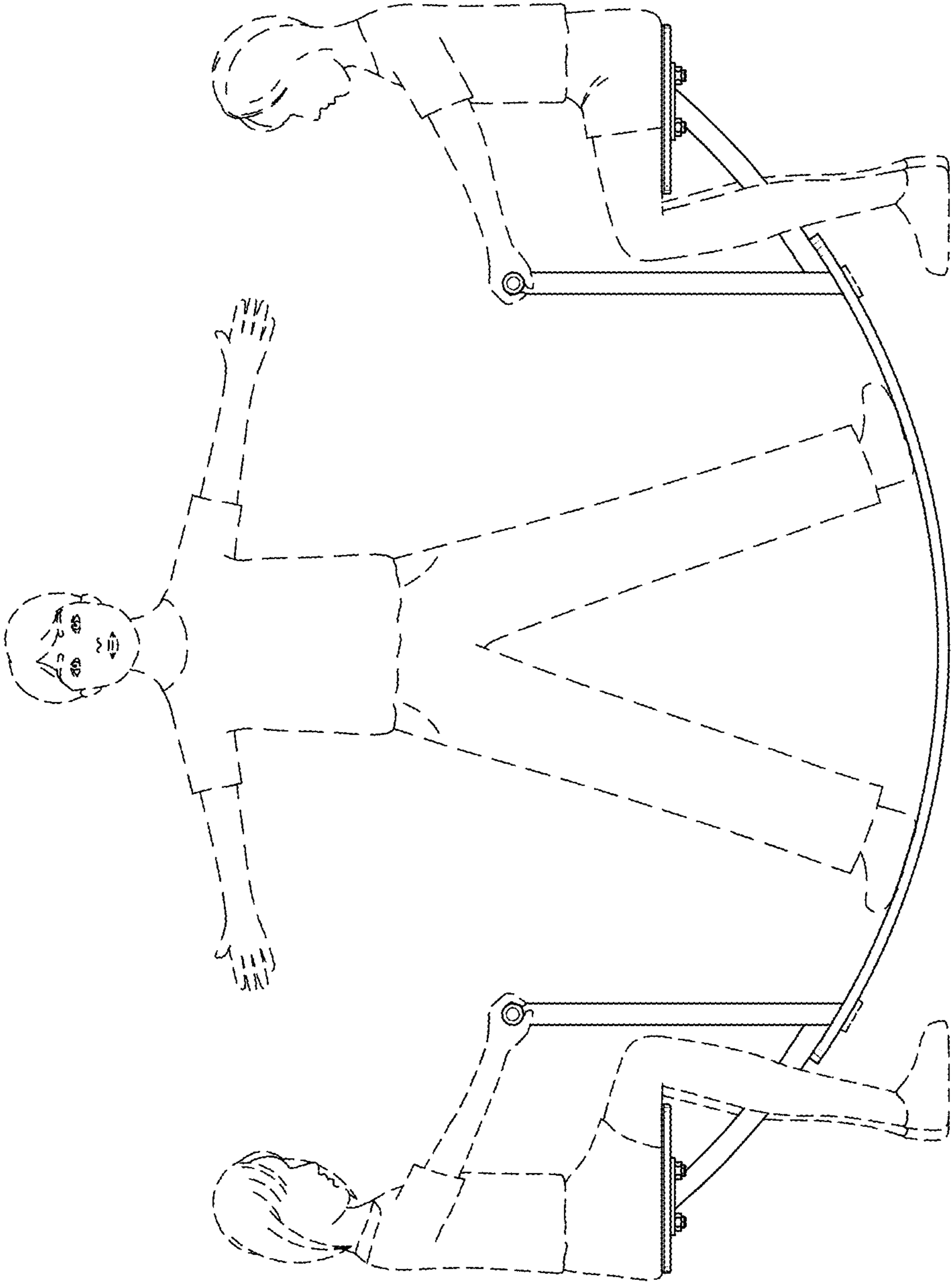


FIG. 10