



US00D980922S

(12) **United States Design Patent**
Pan

(10) **Patent No.:** **US D980,922 S**
(45) **Date of Patent:** **** Mar. 14, 2023**

(54) **TOY GUN**

FOREIGN PATENT DOCUMENTS

(71) Applicant: **GENZ POWERN COMPANY LIMITED**, Hong Kong (CN)

CN 304306550 * 10/2017
CN 306243167 * 12/2020

(72) Inventor: **Meijun Pan**, Guigang (CN)

OTHER PUBLICATIONS

(73) Assignee: **GENZ POWERN COMPANY LIMITED**, Hong Kong (CN)

Amazon Website, Blaster Toy Gun, Earliest Comment Date: Mar. 26, 2021, [Website Visited on Sep. 16, 2022], Available on the internet URL <https://www.amazon.com/TOYZ-Motorized-Automatic-Compatible-Multi-Player/dp/B08TTWYGSF/> (Year: 2021).*

(**) Term: **15 Years**

* cited by examiner

(21) Appl. No.: **29/842,420**

(22) Filed: **Jun. 13, 2022**

Primary Examiner — S. Bryan Reinholdt, Jr.
Assistant Examiner — James T Tyree

(51) **LOC (14) Cl.** **21-01**

(74) *Attorney, Agent, or Firm* — Jeenam Park

(52) **U.S. Cl.**
USPC **D21/573**; D21/574; D21/567

(57) **CLAIM**

(58) **Field of Classification Search**
USPC D21/573, 567, 333, 570, 401; D14/418;
D22/100, 103, 104
CPC A63H 33/009; A63H 23/10; F41B 9/0012
See application file for complete search history.

The ornamental design for a toy gun, as shown and described.

DESCRIPTION

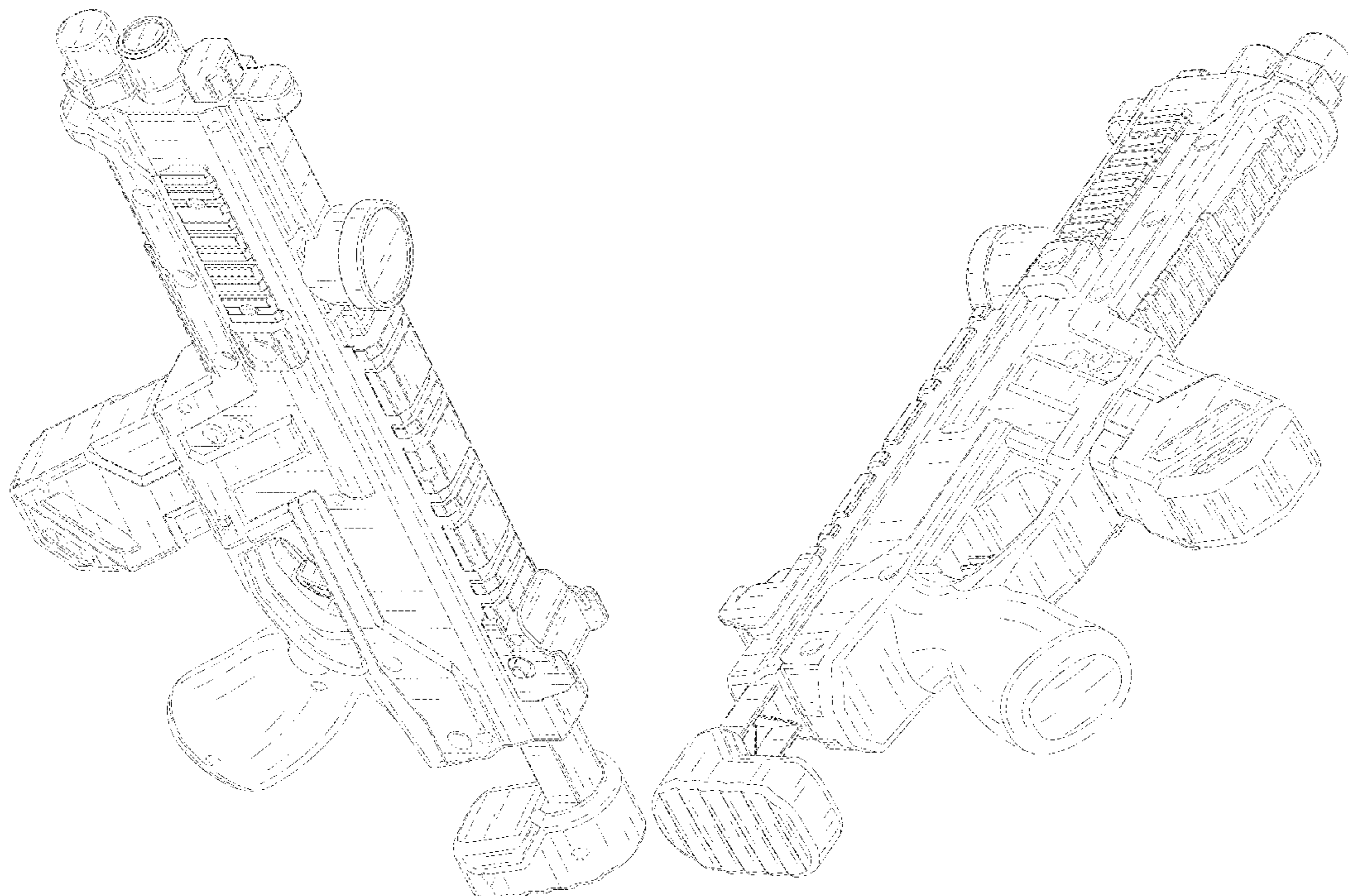
(56) **References Cited**

U.S. PATENT DOCUMENTS

D286,308 S	*	10/1986	Mayer	D21/573
D660,926 S		5/2012	Mastin		
D666,268 S	*	8/2012	Huang	D14/418
D766,381 S		9/2016	Crye et al.		
D853,516 S	*	7/2019	Özaysin	D22/103
D908,816 S	*	1/2021	Cheng	D21/573
D948,634 S	*	4/2022	Lin	D21/573
D953,470 S	*	5/2022	Windfeldt	D22/108
D958,263 S	*	7/2022	Li	D21/573

FIG. 1 is a perspective view of a toy gun, showing my new design;
FIG. 2 is another perspective view thereof;
FIG. 3 is a front view thereof;
FIG. 4 is a rear view thereof;
FIG. 5 is a left side view thereof;
FIG. 6 is a right side view thereof;
FIG. 7 is a top plan view thereof; and,
FIG. 8 is a bottom plan thereof.
The broken line showing of the toy gun is for the purpose of illustrating article and forms no part of the claimed design.

1 Claim, 8 Drawing Sheets



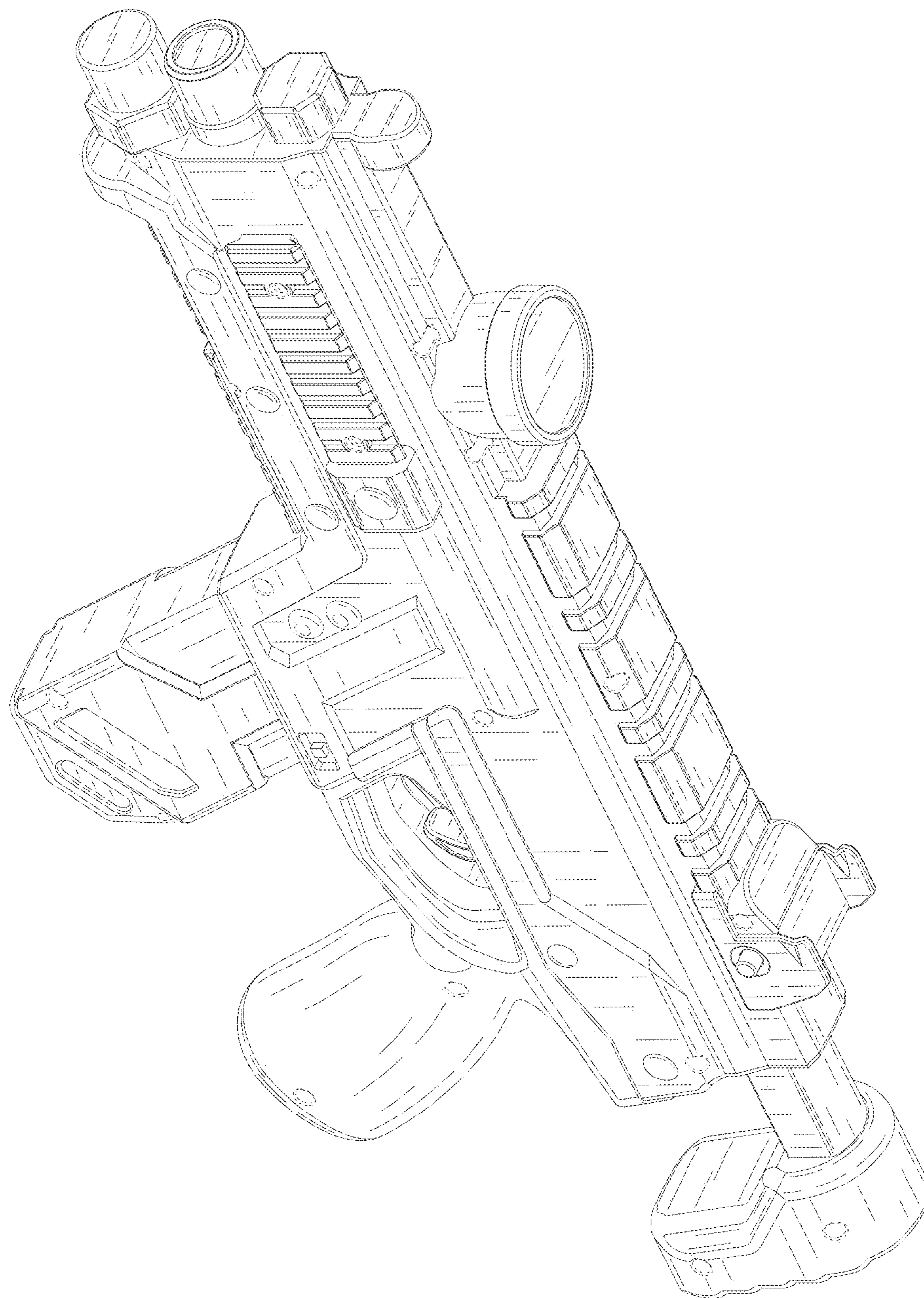


FIG. 1

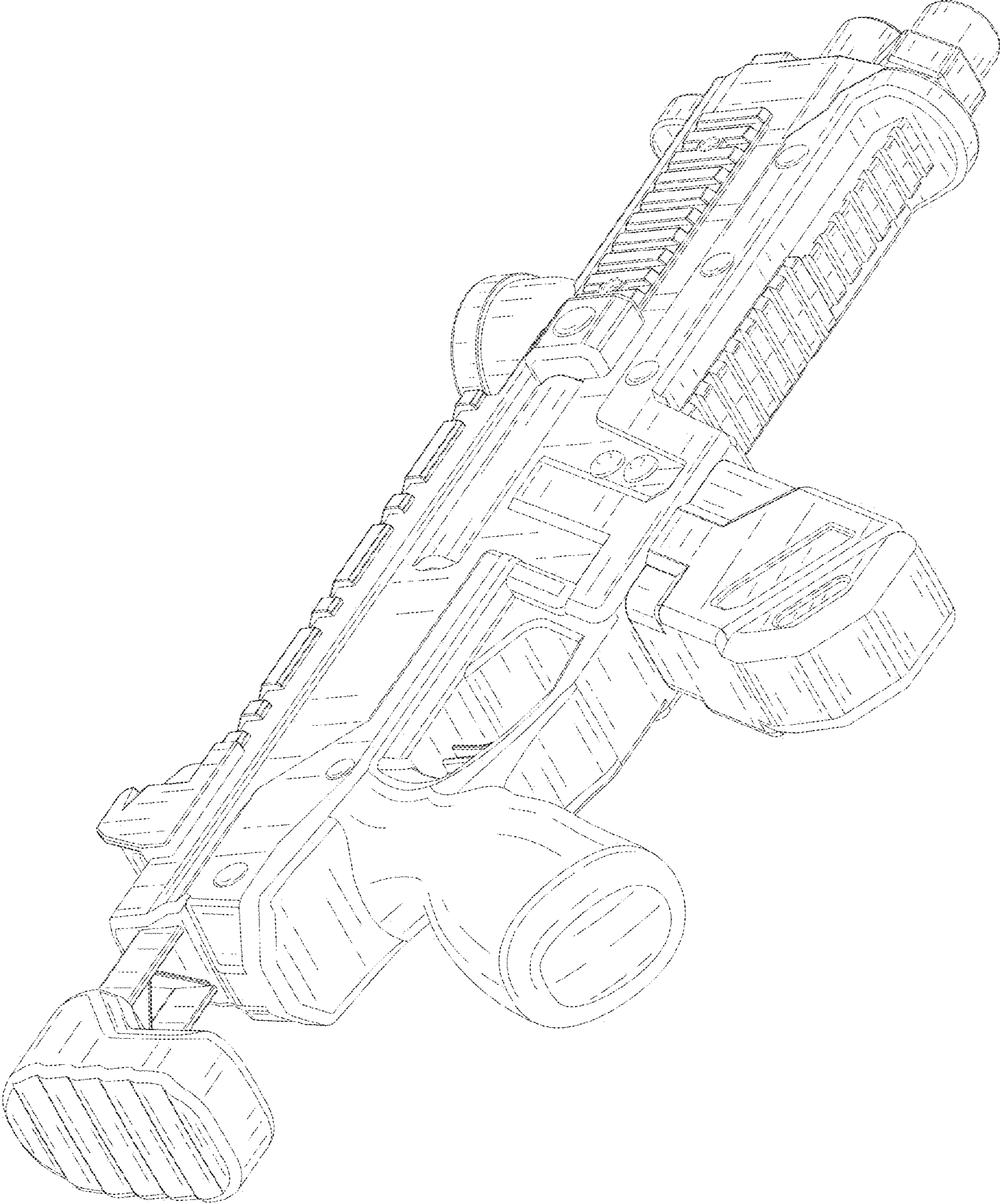


FIG. 2

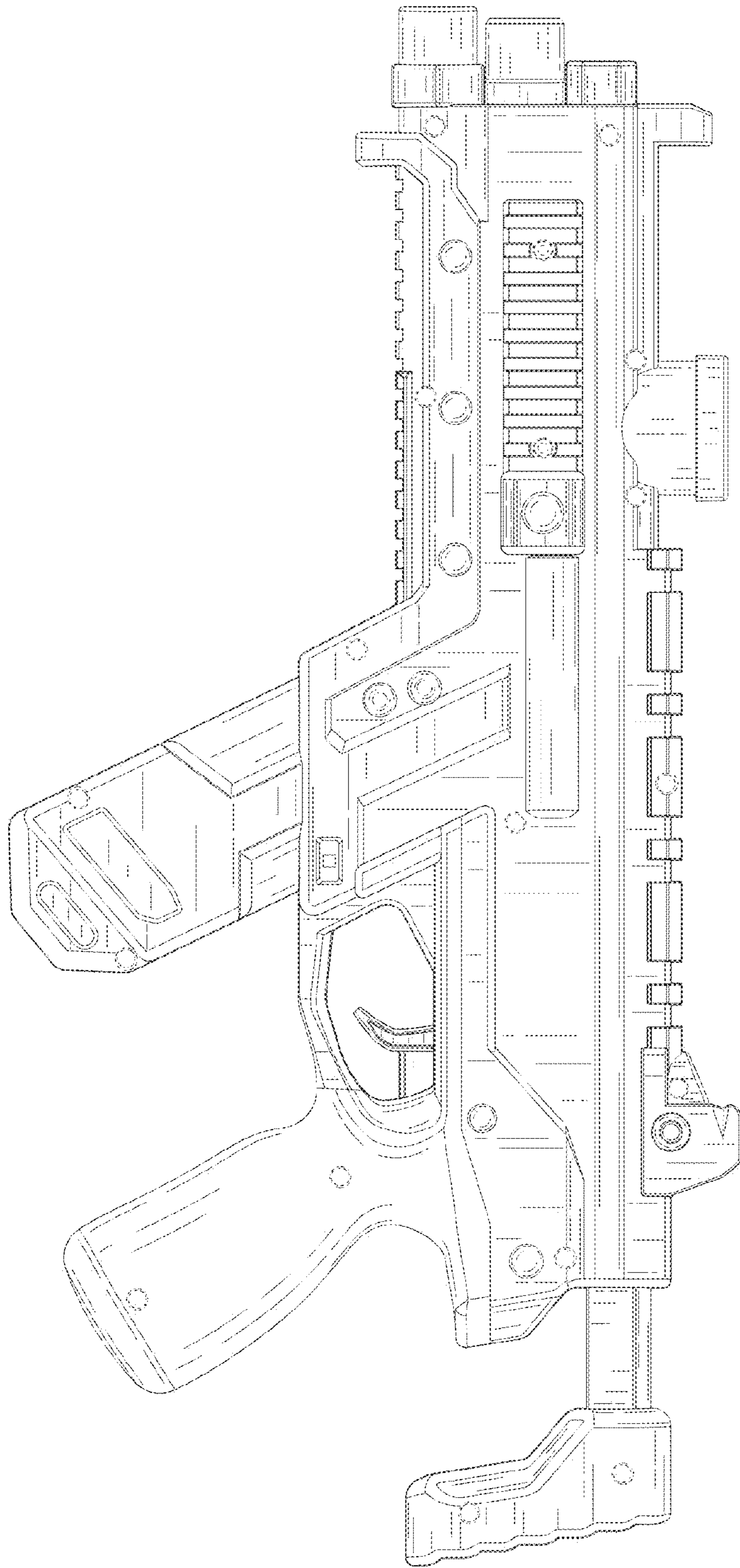


FIG. 3

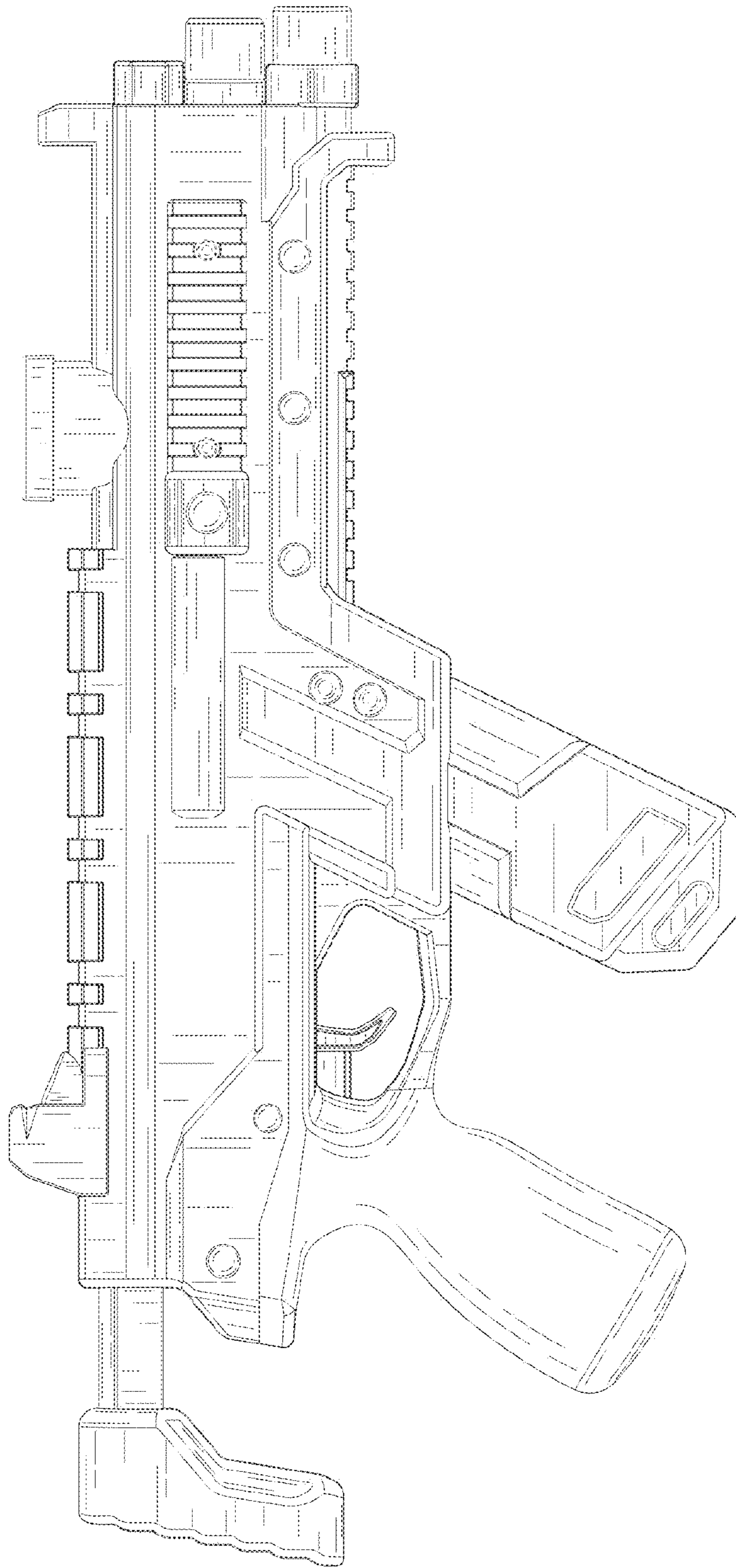


FIG. 4

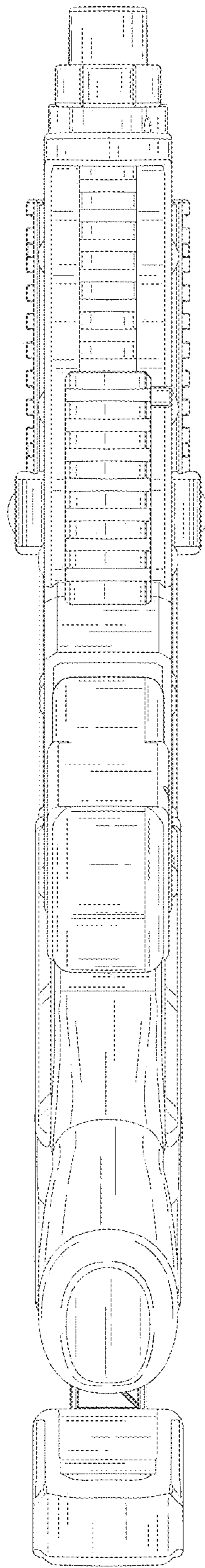


FIG. 5

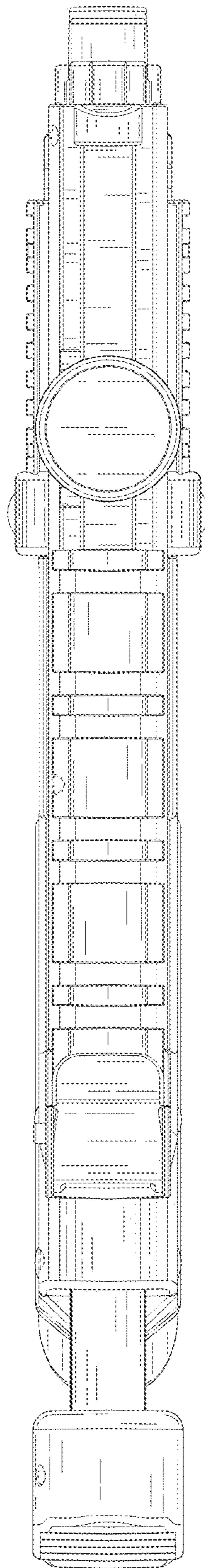


FIG. 6

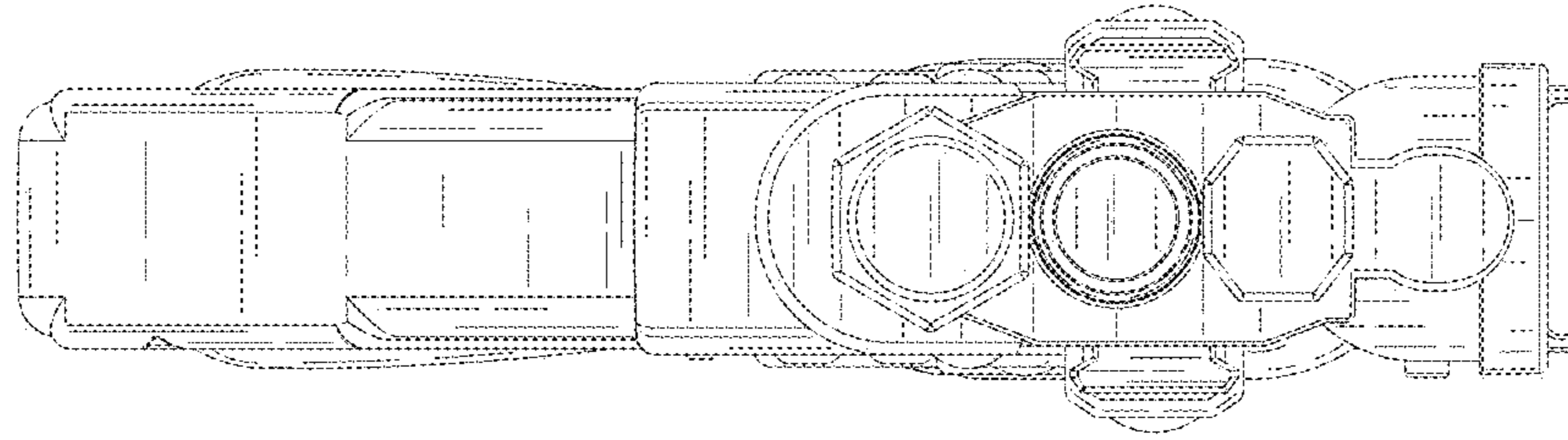


FIG. 7

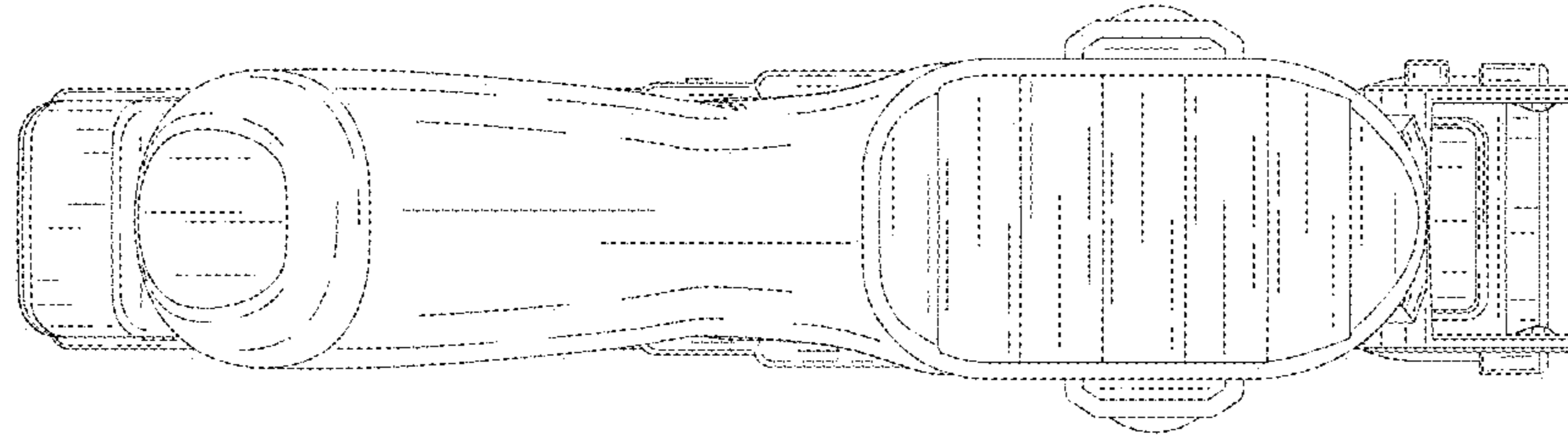


FIG. 8