



US00D980920S

(12) **United States Design Patent**
Ma

(10) **Patent No.:** **US D980,920 S**
(45) **Date of Patent:** **** Mar. 14, 2023**

(54) **TOY VEHICLE**
(71) Applicant: **SLIS, Inc.**, Darien, IL (US)
(72) Inventor: **Jiadong Ma**, Darien, IL (US)
(73) Assignee: **SLIS, Inc.**, Darien, IL (US)
(**) Term: **15 Years**

1,136,854 A * 4/1915 Wechsler B65H 49/32
242/129.62
1,350,881 A * 8/1920 Pfunder D05B 65/003
225/33
1,359,081 A * 11/1920 Lipps B65H 75/14
242/118.4

(Continued)

(21) Appl. No.: **29/732,594**
(22) Filed: **Apr. 26, 2020**

FOREIGN PATENT DOCUMENTS

CA 172579 * 3/2018
CN 3517170 4/2006

(Continued)

(30) **Foreign Application Priority Data**

Oct. 25, 2019 (CN) 201930584995.4
Oct. 25, 2019 (CN) 201930585006.3
Oct. 25, 2019 (CN) 201930585011.4

OTHER PUBLICATIONS

Morgan A. McDougald, et al., "Experimental Studies on Traction Concepts: Endurance and Obstacle Testing," Aug. 2013, researchgate.net, site visited Nov. 10, 2021, URL: <https://www.researchgate.net/figure/Concave-wheel-profile-The-main-objectives-of-the-three-prototypes-created-were-to-improve-fi> (Year: 2013).*

(Continued)

(51) **LOC (14) Cl.** **21-01**
(52) **U.S. Cl.**
USPC **D21/424**; D21/533; D21/548; D21/549

Primary Examiner — Eric L Goodman
Assistant Examiner — Sarah L Smith

(74) *Attorney, Agent, or Firm* — Greenberg Traurig, LLP

(58) **Field of Classification Search**
USPC D21/537, 533, 552, 548, 424, 434, 419,
D21/427, 433, 530, 539, 550, 551, 561,
D21/562, 549; D12/12, 82, 83, 84, 86,
D12/87, 88, 91
CPC .. B60L 8/00; A63H 7/04; A63H 11/12; A63H
17/00; A63H 17/25; B62M 1/00; B60G
21/00; B60G 7/00; B60G 11/00; B60G
2800/00; B62K 3/005; B62K 3/002;
B62K 3/16

(57) **CLAIM**

The ornamental design for a toy vehicle, as shown and described.

See application file for complete search history.

DESCRIPTION

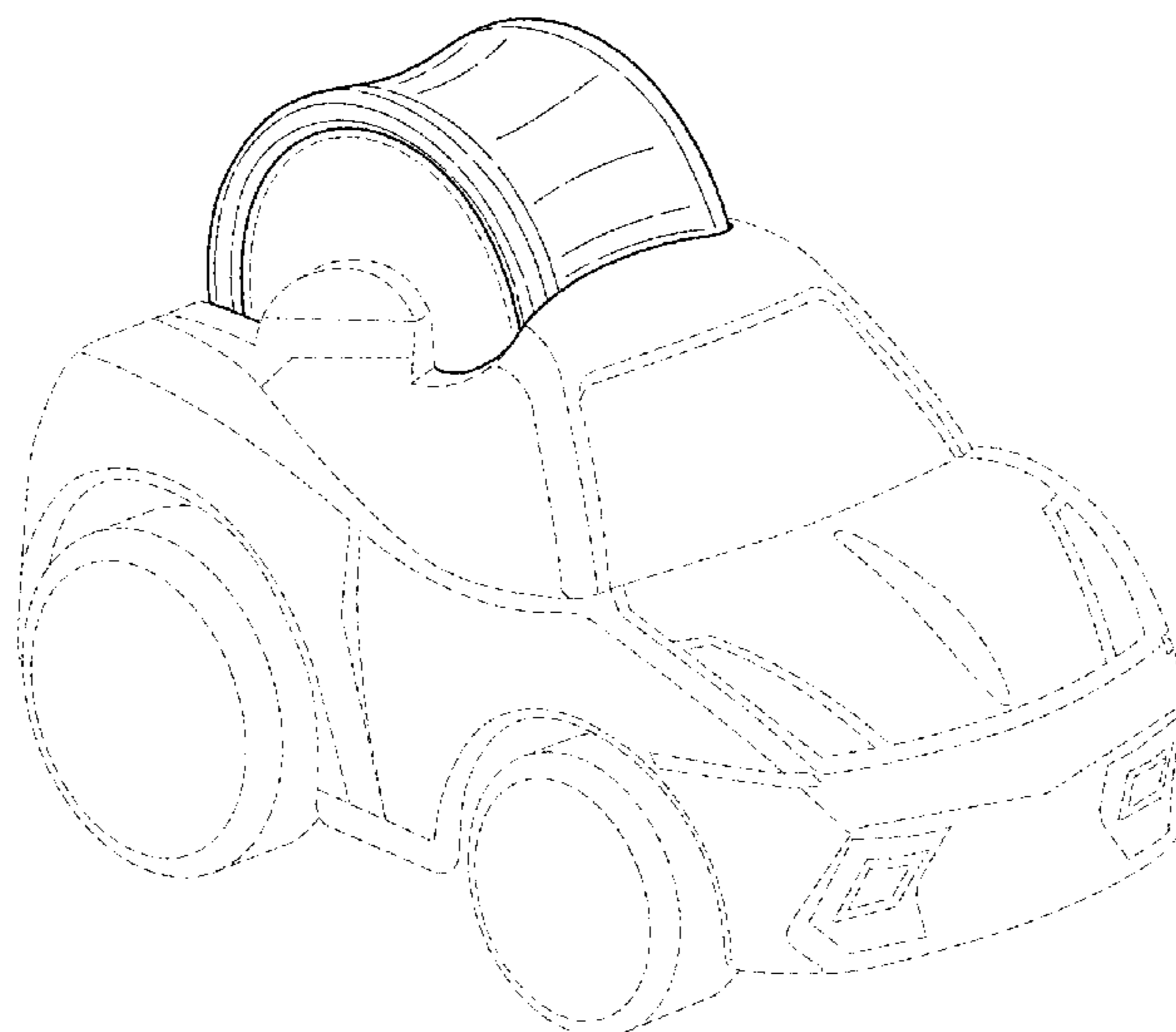
FIG. 1 is a perspective view of a toy vehicle having my design;
FIG. 2 is a front view of the toy vehicle of FIG. 1;
FIG. 3 is a rearview of the toy vehicle of FIG. 1;
FIG. 4 is a left side view of the toy vehicle of FIG. 1;
FIG. 5 is a right side view of the toy vehicle of FIG. 1;
FIG. 6 is a top view of the toy vehicle of FIG. 1; and,
FIG. 7 is a bottom view of the toy vehicle of FIG. 1.
Features shown in dashed lines are features of the toy vehicle that form no part of the design claimed.

(56) **References Cited**

U.S. PATENT DOCUMENTS

830,087 A * 9/1906 Loomis D05B 91/12
223/109 R
885,517 A * 4/1908 Prescott B65H 75/28
242/125.2

1 Claim, 7 Drawing Sheets



(56)

References Cited

U.S. PATENT DOCUMENTS

D92,193 S * 5/1934 Nelson B62M 1/24
280/87.01

2,568,557 A 9/1951 Newbery

D217,874 S 6/1970 French

3,698,125 A * 10/1972 Hartling A63H 17/25
446/318

D241,262 S * 8/1976 Kuna D21/427

D282,476 S * 2/1986 Arigaya D21/548

D282,677 S 2/1986 Arigaya

D283,235 S * 4/1986 Arigaya D21/562

D318,698 S * 7/1991 Roann D21/548

D336,936 S * 6/1993 Shiraiishi D21/560

5,413,518 A * 5/1995 Lin A63H 30/00
446/454

D364,657 S * 11/1995 Schmidt D21/563

D381,710 S * 7/1997 Kato D21/548

5,667,420 A 9/1997 Menow et al.

D390,890 S 2/1998 Lun

D412,542 S * 8/1999 Lun D21/548

6,129,607 A 10/2000 Hoeting et al.

6,171,171 B1 1/2001 Barthold

6,394,878 B1 5/2002 Wang

D458,314 S * 6/2002 Allemeier A63H 30/00
D21/433

6,902,464 B1 * 6/2005 Lee A63H 29/22
446/438

D574,296 S 8/2008 Keski-Luopa

D597,151 S 7/2009 Ishikawa

D677,345 S 3/2013 Isted

D771,201 S * 11/2016 Tompkin D21/550

D803,329 S * 11/2017 Tompkin D21/550

D825,685 S 8/2018 Tompkin

D834,110 S * 11/2018 Tompkin D21/550

D868,172 S 11/2019 Jin

D868,905 S 12/2019 Tompkin

D870,206 S * 12/2019 Rueckheim D21/424

D870,211 S 12/2019 Wozniak

D880,391 S * 4/2020 Liu D12/209

D915,469 S * 4/2021 Ninomiya D15/25

D923,110 S * 6/2021 Gamble D21/533

2001/0044255 A1 11/2001 Lee et al.

2002/0137428 A1 9/2002 Tilbor et al.

2012/0241239 A1 9/2012 Holroyd et al.

2015/0130160 A1 * 5/2015 Li B62M 1/24
280/260

2017/0036127 A1 2/2017 Wang

2020/0368629 A1 11/2020 Moss

FOREIGN PATENT DOCUMENTS

CN 303529072 * 12/2015

CN 303889324 10/2016

CN 304920164 * 11/2018

CN 304981539 1/2019

EP 1074286 A2 * 2/2001 A63H 17/262

EP 1074286 A2 2/2001

WO 2015088082 A1 6/2015

OTHER PUBLICATIONS

“Kikkerland Zecar Windup,” Jul. 18, 2015 (Q&A), amazon.com, site visited Nov. 9, 2021, URL: <https://www.amazon.com/Kikkerland-1589-Zecar-Windup/dp/B000L2JVKW/> (Year: 2015).*

“Sgile Stunt Car Racing RC Rechargeable 5 Rounds 360 Spin Review,” Nov. 14, 2016, youtube.com, site visited Nov. 10, 2021, URL: <https://www.youtube.com/watch?v=t76BDi701xk> (Year: 2016).*

“Green Rubber Kennedy Ag,” Sep. 11, 2018, facebook.com, site visited Nov. 10, 2021, URL: <https://www.facebook.com/grka2003/photos/1818018698234729> (Year: 2018).*

United States Patent and Trademark Office, Non-Final Office Action issued in U.S. Appl. No. 29/778,921, dated Feb. 9, 2022, 8 pgs. Mattel’s Hot Wheels “Mars Rover Curiosity,” 2012, collectspace.com, site visited Dec. 9, 2021, URL: <http://www.collectspace.com/news/news-080112b.html> (Year: 2012).

“Stator Ride,” Mar. 25, 2017, youtube.com, site visited Dec. 9, 2021, URL: <https://www.youtube.com/watch?v=d5Nf9TMrLJw> (Year: 2017).

Wahid Ooi Abdullah, “Skinny vs. Fat: Does Tyre Width Matter?” Jun. 6, 2018, bikesrepublic.com, site visited, Dec. 9, 2021, URL: <https://www.bikesrepublic.com/featured/skinny-vs-fat-tyre-width-matter/> (Year: 2018).

Devin Connors, “Rocket League’s First Hot Wheels Car Has Arrived,” Dec. 18, 2018, rocketleague.com, site visited Dec. 9, 2021, URL: <https://www.rocketleague.com/news/rocket-league-hot-wheels-toy/> (Year: 2018).

Missy Sullivan, “These Vintage Hot Wheels Toys Are Worth Thousands of Dollars,” article updated Jul. 1, 2019, 1970 Maverick Hot Wheels/Toppper Toys, history.com, site visited Dec. 9, 2021, URL: <https://www.history.com/news/hot-wheels-most-collectible-valuable> (Year: 2019).

“Alomejor RC Tires RC Wheel Hub Drift Tires,” Mar. 19, 2021, amazon.com, site visited Dec. 9, 2021, URL: <https://www.amazon.com/dp/B08XJG45N9/> (Year: 2021).

* cited by examiner

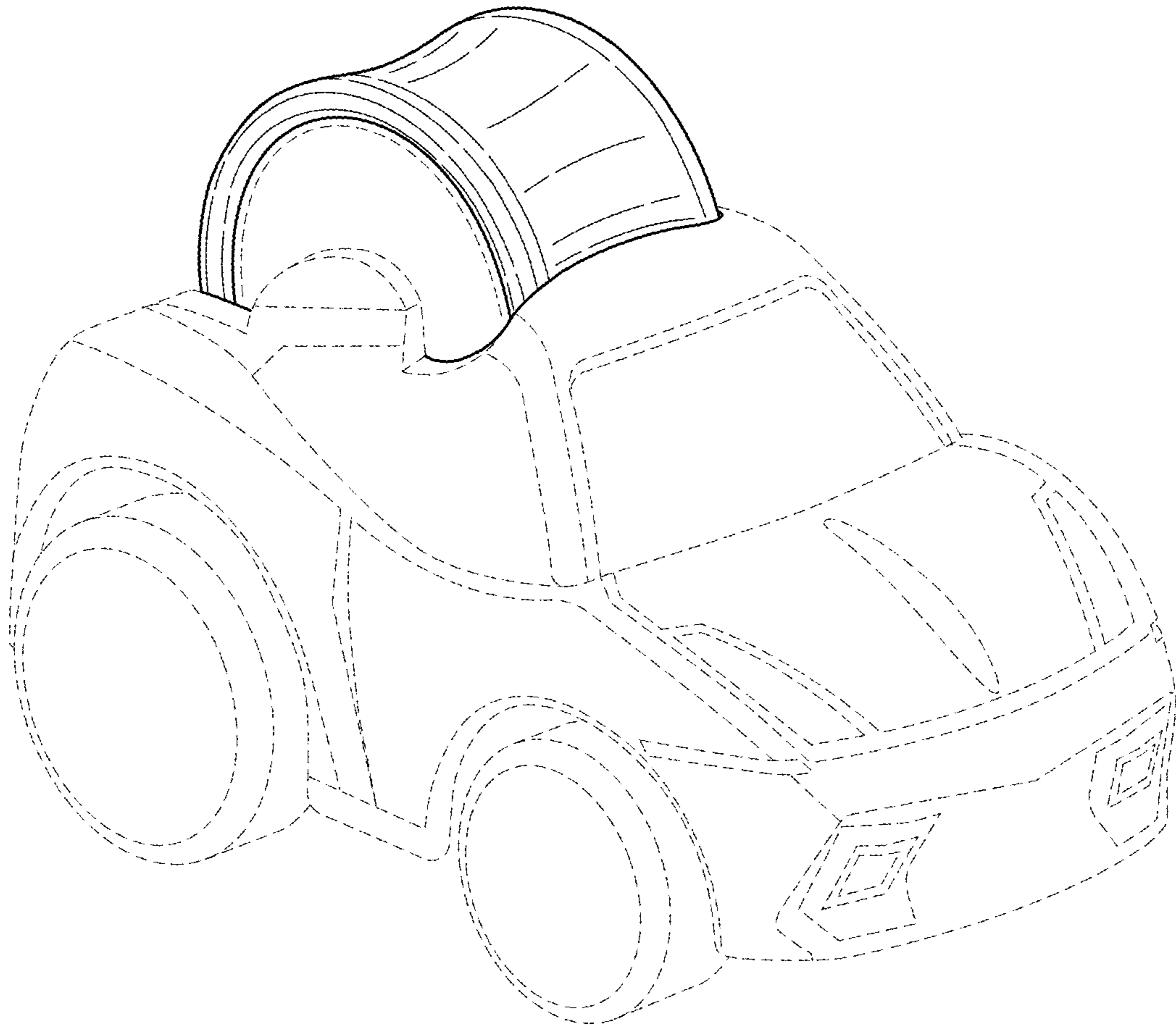


FIG.1

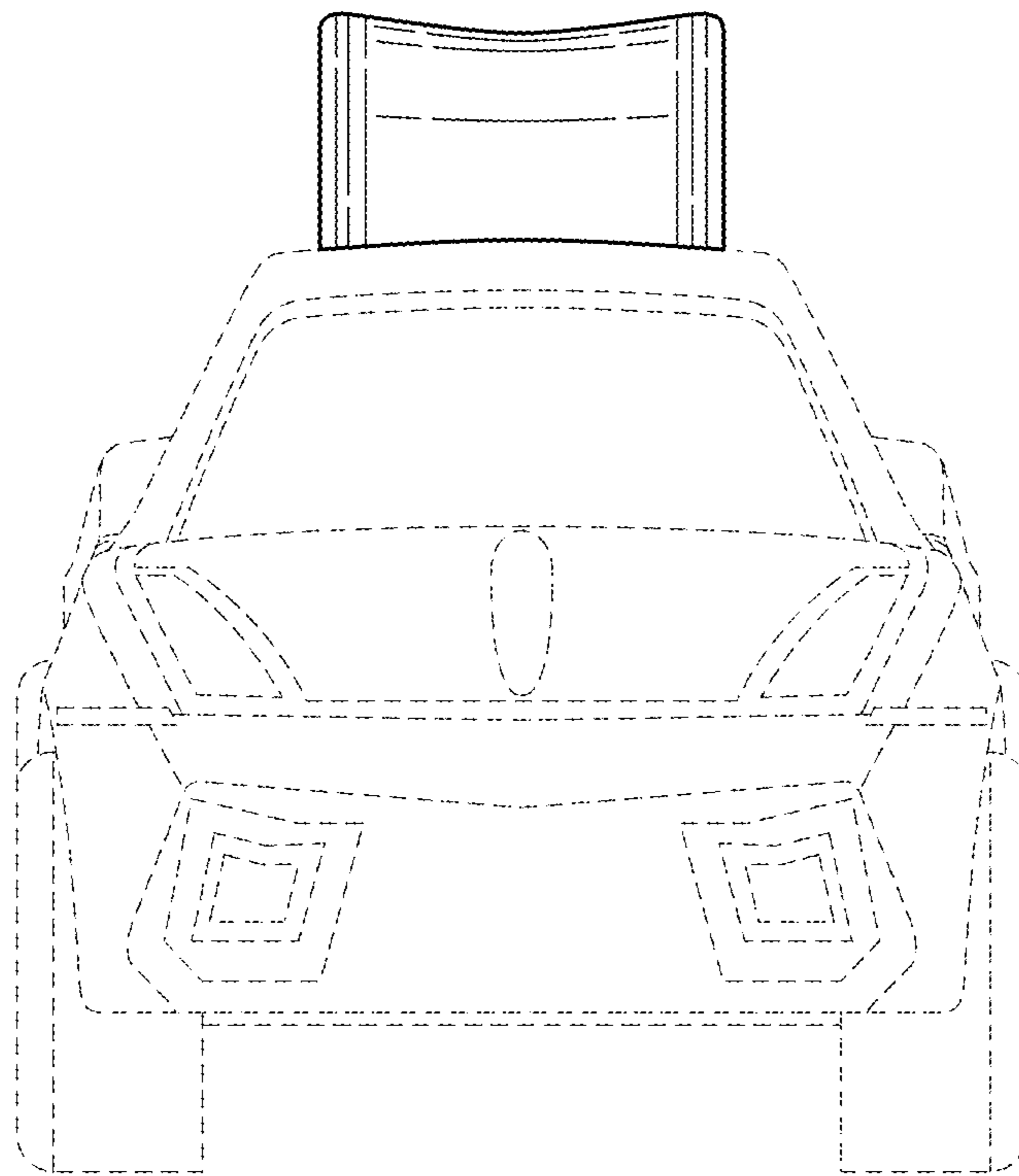


FIG.2

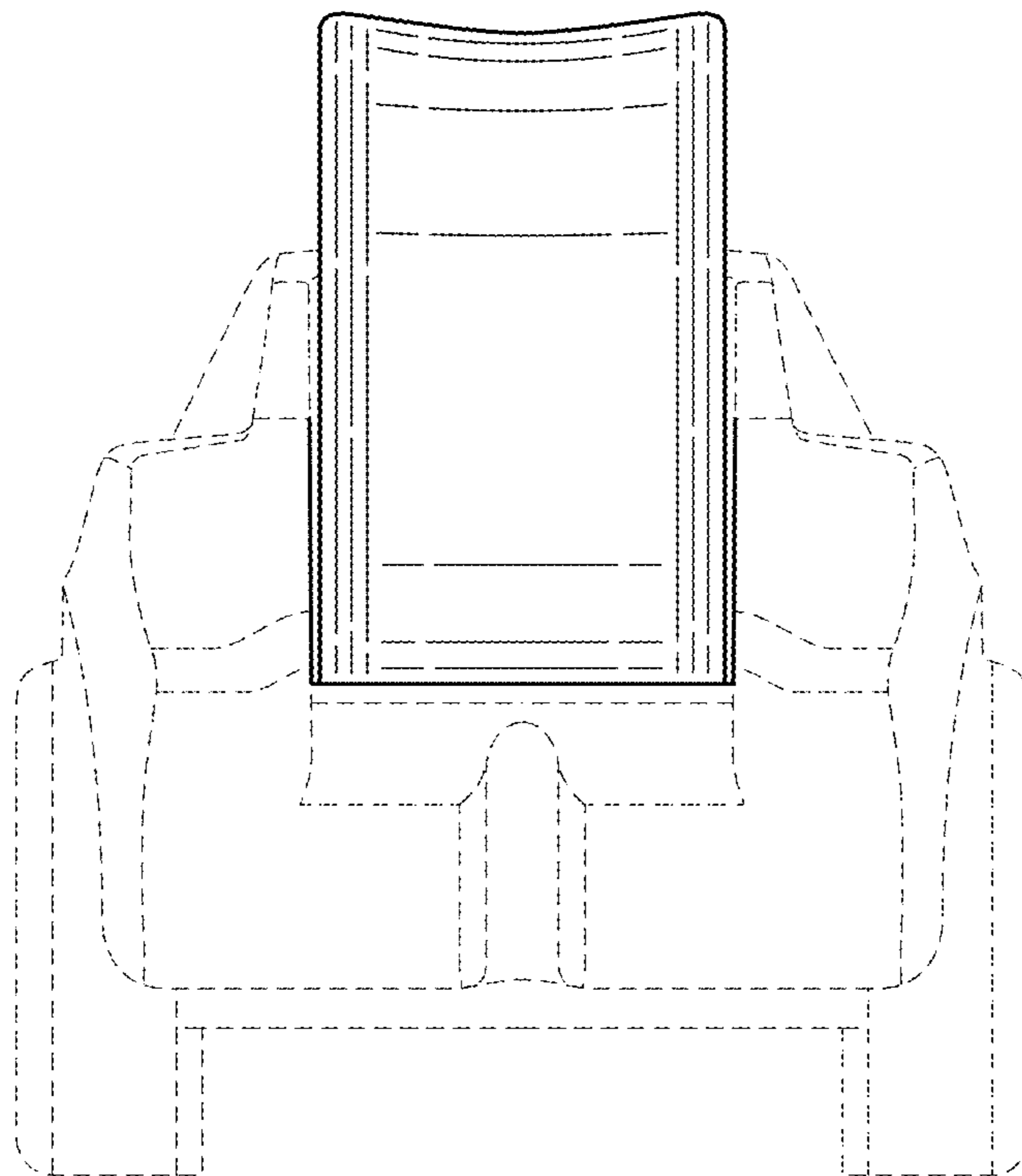


FIG.3

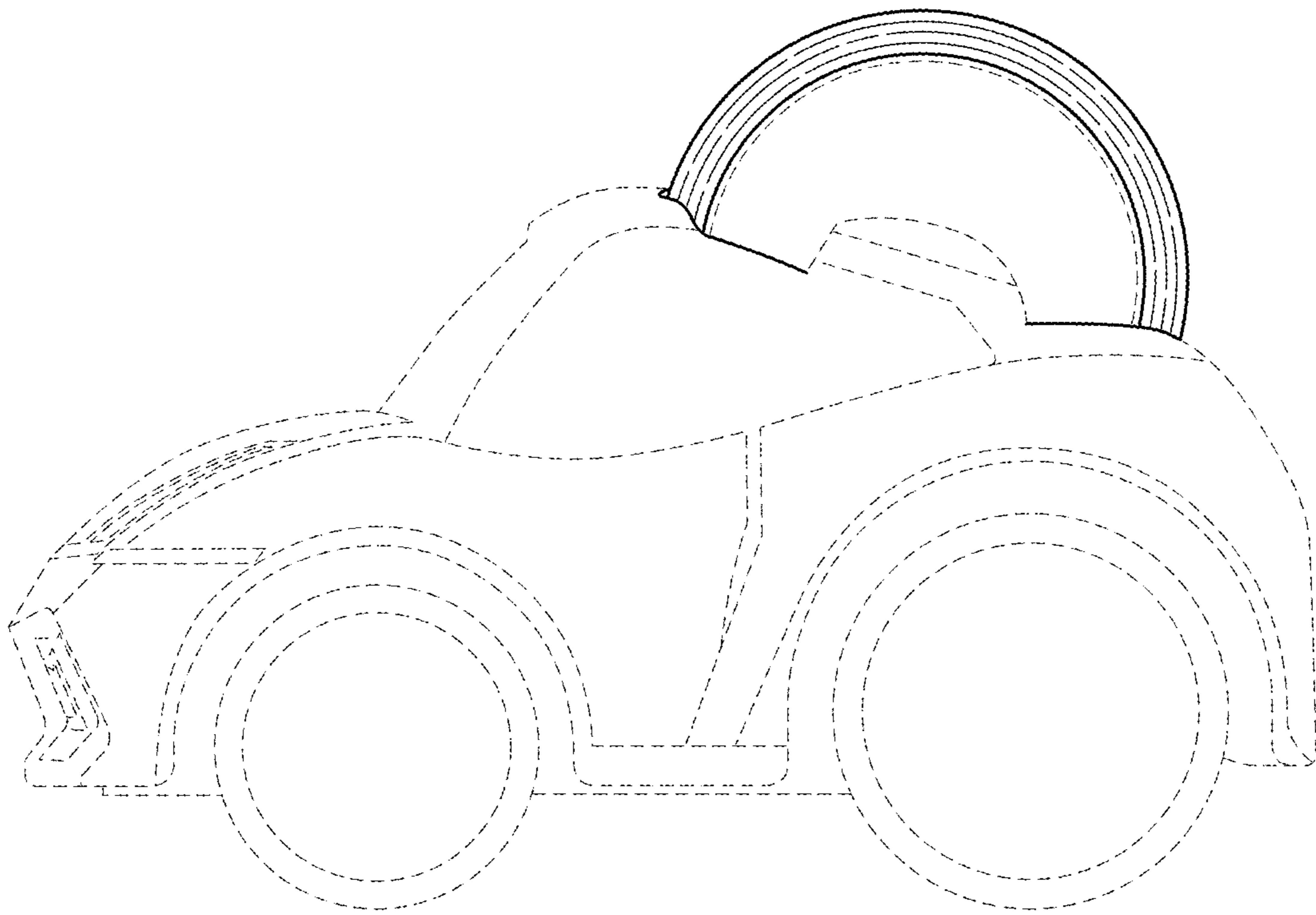


FIG.4

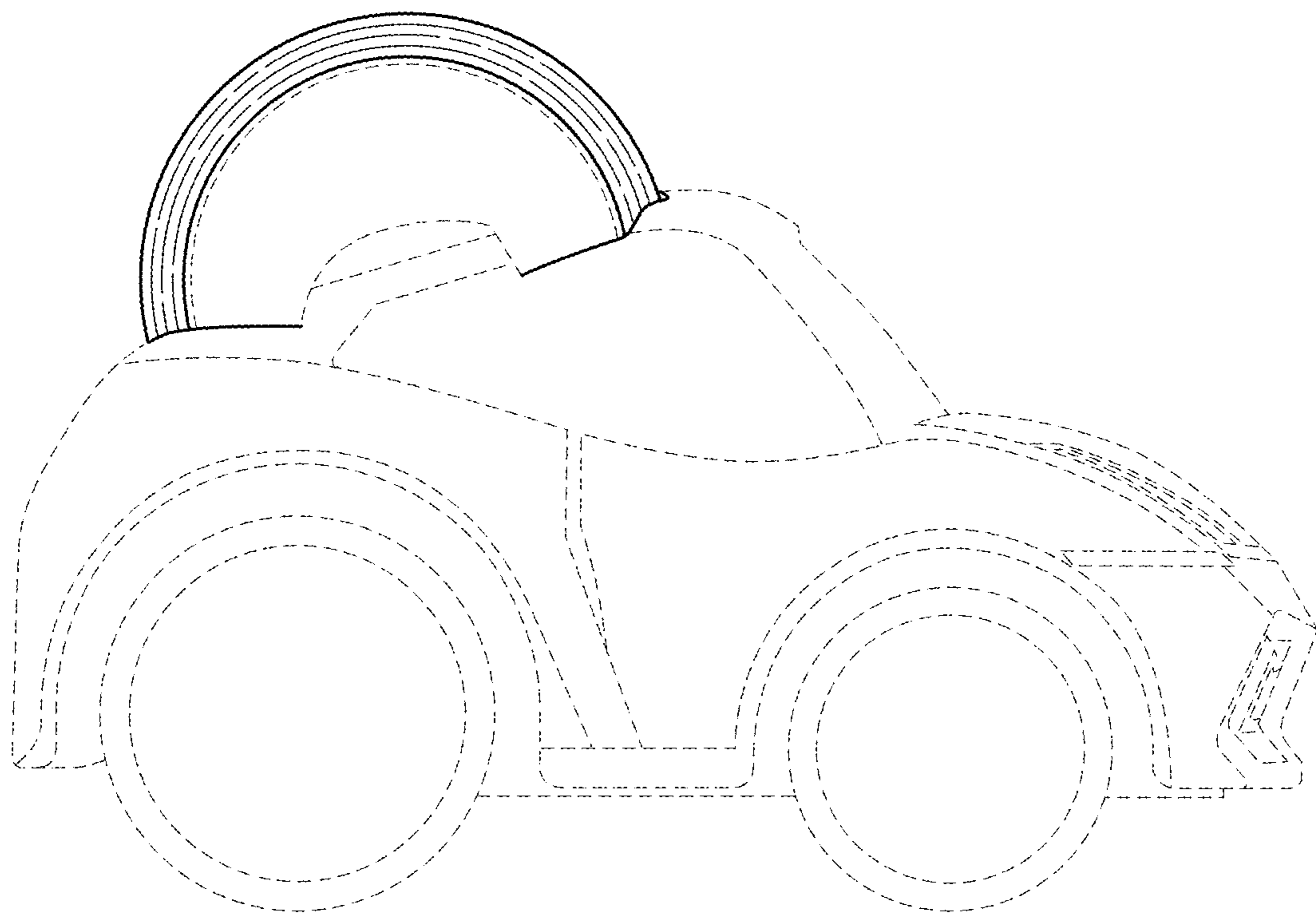


FIG.5

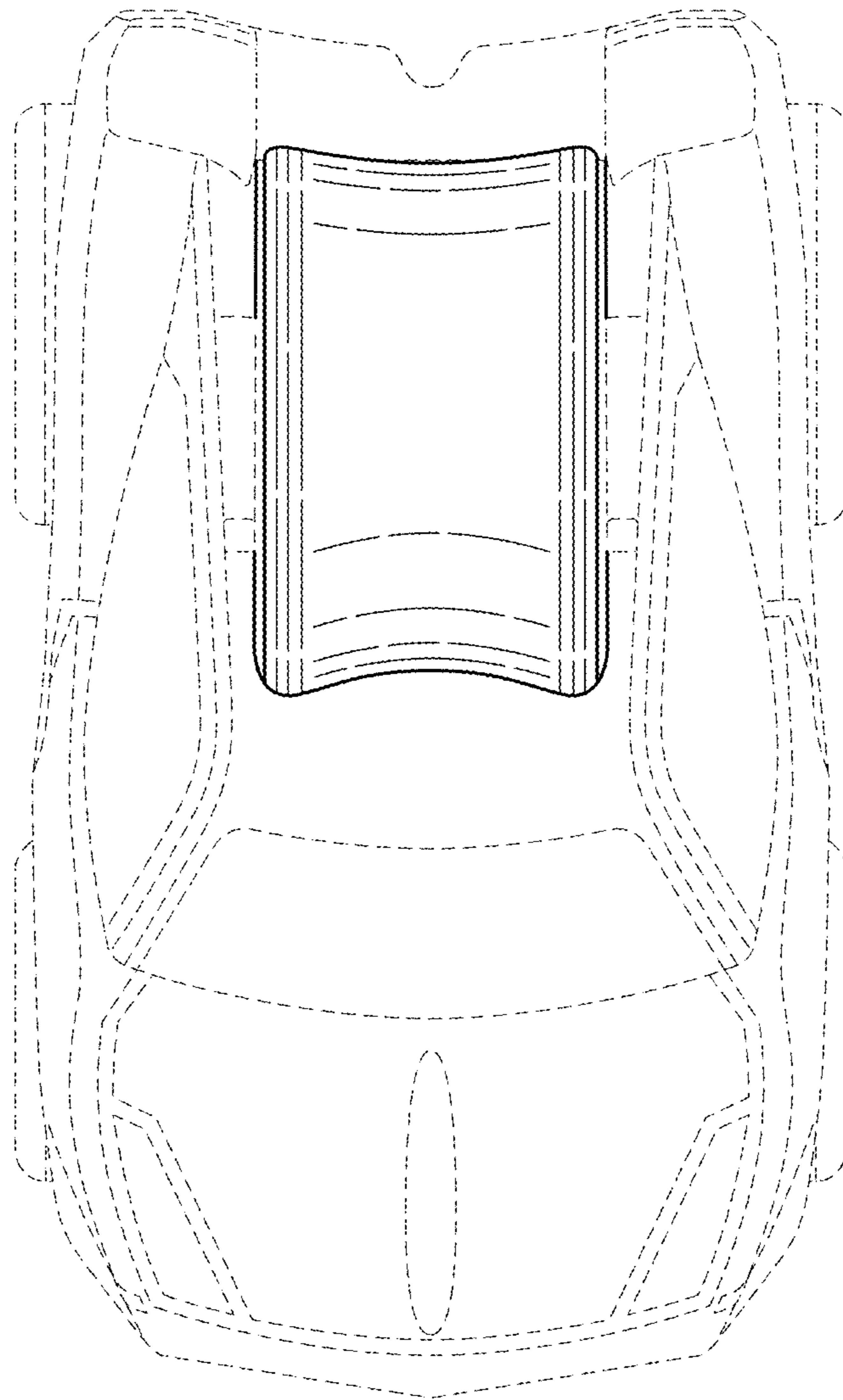


FIG.6

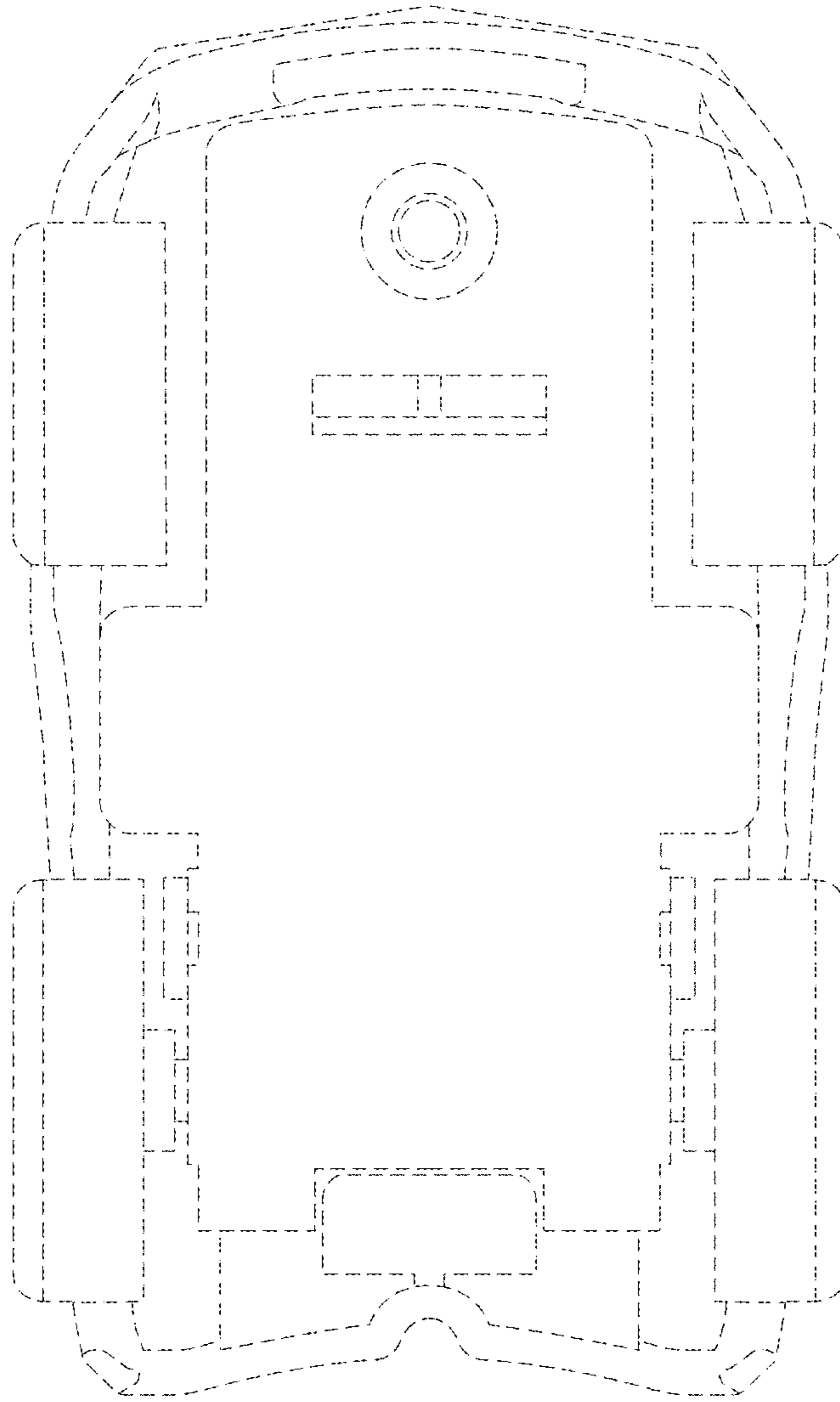


FIG.7