



US00D980919S

(12) **United States Design Patent**
Chis et al.

(10) **Patent No.:** **US D980,919 S**

(45) **Date of Patent:** **** *Mar. 14, 2023**

(54) **KICK SCOOTER**

(71) Applicants: **Mihnea Iustinian Chis**, Arad (RO);
Ionut Nicolae Predescu, Timisoara (RO)

(72) Inventors: **Mihnea Iustinian Chis**, Arad (RO);
Ionut Nicolae Predescu, Timisoara (RO)

(*) Notice: This patent is subject to a terminal disclaimer.

(**) Term: **15 Years**

(21) Appl. No.: **29/751,652**

(22) Filed: **Sep. 23, 2020**

(51) **LOC (14) Cl.** **21-01**

(52) **U.S. Cl.**
USPC **D21/423**

(58) **Field of Classification Search**
USPC D21/419, 421, 423, 432, 435, 760, 763,
D21/765, 771; D12/1, 110

CPC B62K 3/002; B62K 9/00; B62K 2202/00;
B62K 15/00; B62K 2015/001; B62K
2015/003; B60Y 2200/126

See application file for complete search history.

(56) **References Cited**

U.S. PATENT DOCUMENTS

3,212,791 A *	10/1965	Edwins	B62K 11/06 280/275
6,450,516 B1 *	9/2002	Nall, III	B62K 3/002 280/288.1

D755,899 S *	5/2016	Castrucci	D21/423
D798,959 S *	10/2017	Le	D21/423
D803,948 S *	11/2017	Chis	D21/423
D814,978 S *	4/2018	Niu	D12/110
D830,911 S *	10/2018	Li	D12/110
D832,931 S *	11/2018	Gudushauri	D21/423
D846,031 S *	4/2019	Droge	D21/423
D892,937 S *	8/2020	Chis	D21/423
10,780,938 B1 *	9/2020	Van Houten	B62J 7/02
D900,238 S *	10/2020	Van Houten	D21/423
D900,239 S *	10/2020	Van Houten	D21/423
D900,240 S *	10/2020	Van Houten	D21/423
D920,848 S *	6/2021	Kuehne	D12/110
2019/0382072 A1 *	12/2019	Allen	B62K 11/02
2021/0086859 A1 *	3/2021	Van Houten	B62J 45/41
2021/0086860 A1 *	3/2021	Van Houten	B62L 1/00
2021/0086862 A1 *	3/2021	Vandenbussche	B62K 19/40

* cited by examiner

Primary Examiner — Cynthia M. Chin

(57) **CLAIM**

The ornamental design for a kick scooter, as shown and described.

DESCRIPTION

FIG. 1 is a perspective elevation view of a kick scooter showing our new design;

FIG. 2 is a front view thereof;

FIG. 3 is a back view thereof;

FIG. 4 is top view thereof;

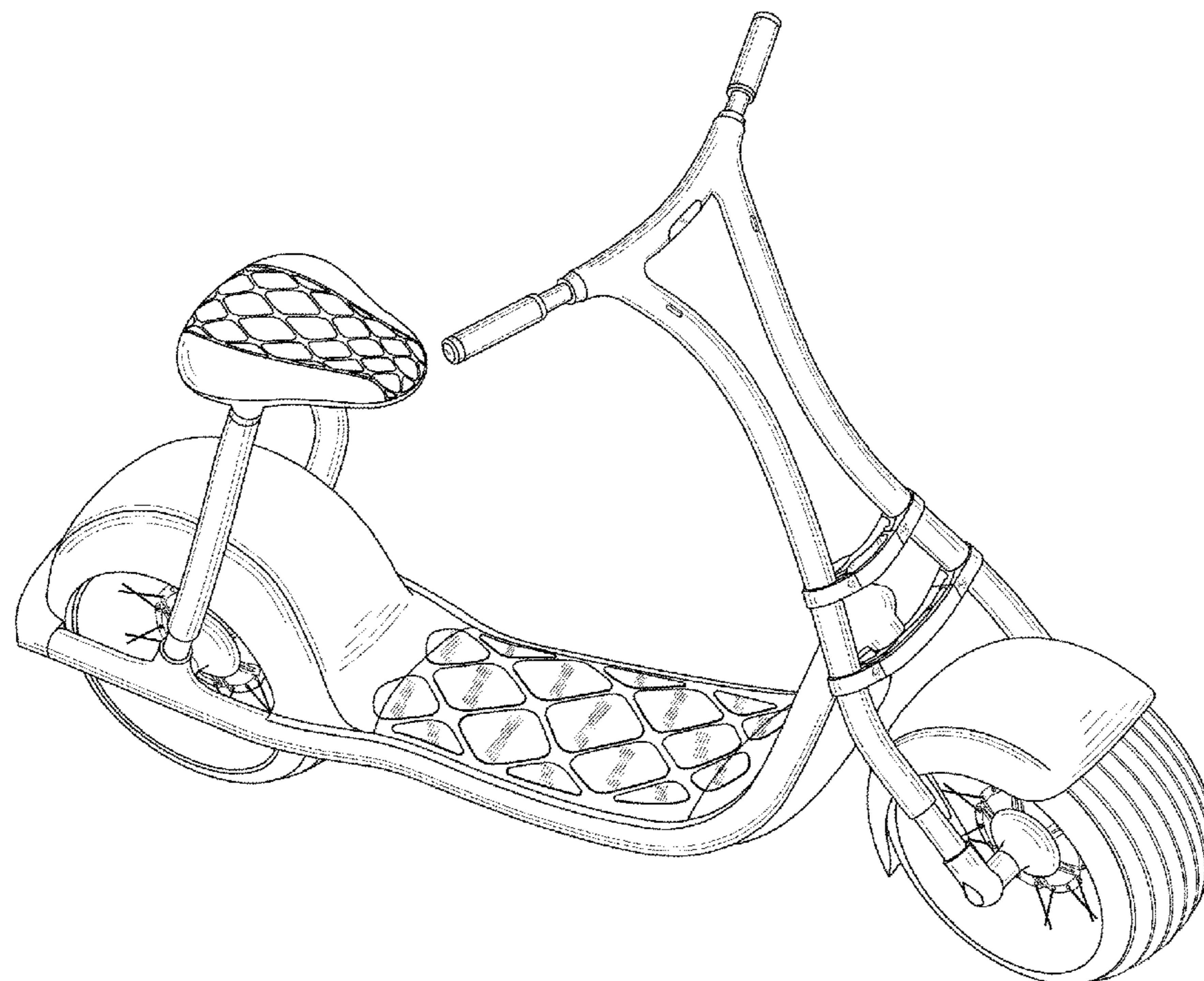
FIG. 5 is bottom view thereof;

FIG. 6 is a right-side view thereof; and,

FIG. 7 is a left-side view thereof.

The broken lines are for the purpose of illustrating portions of the article that form no part of the claimed design.

1 Claim, 7 Drawing Sheets



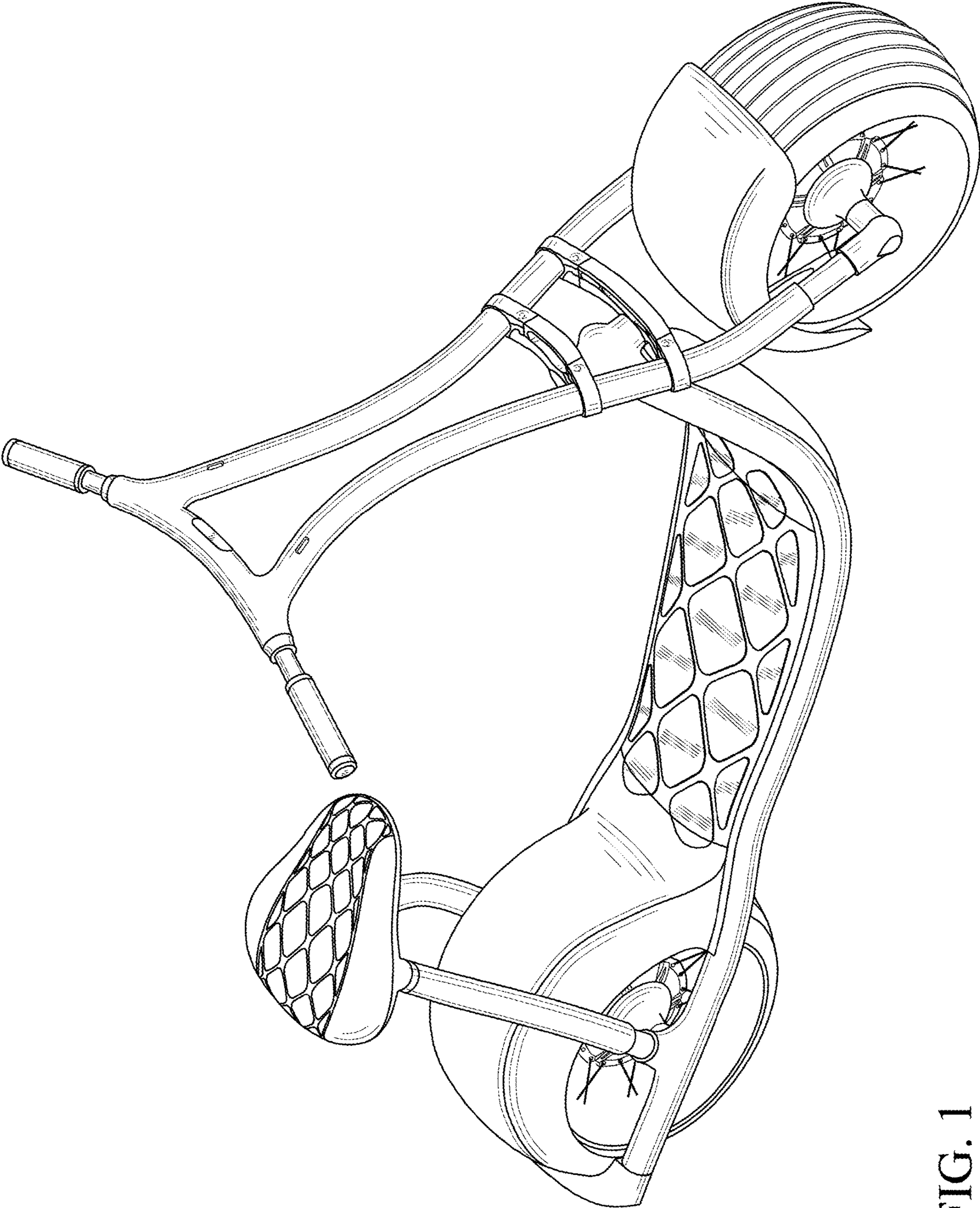


FIG. 1

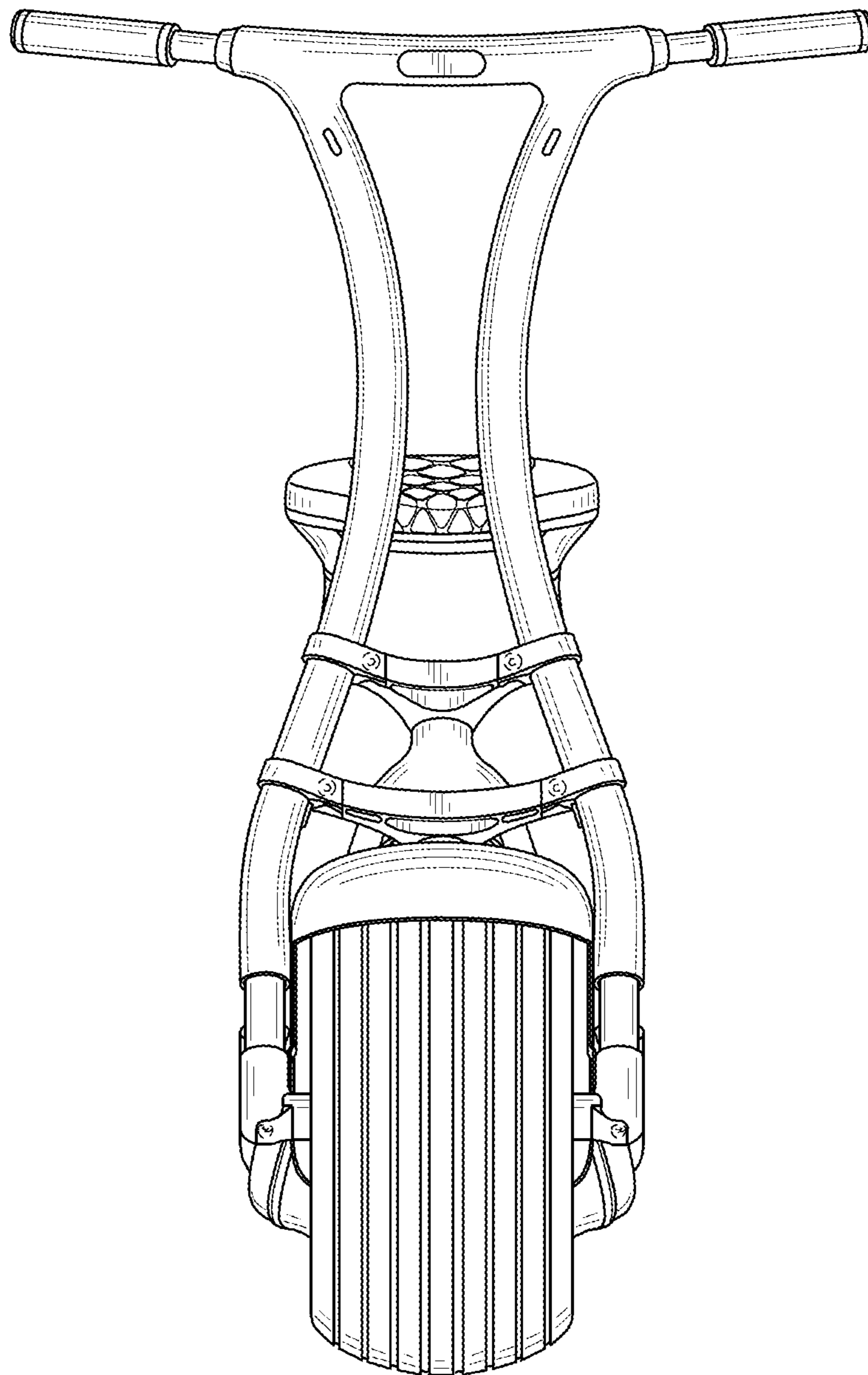


FIG. 2

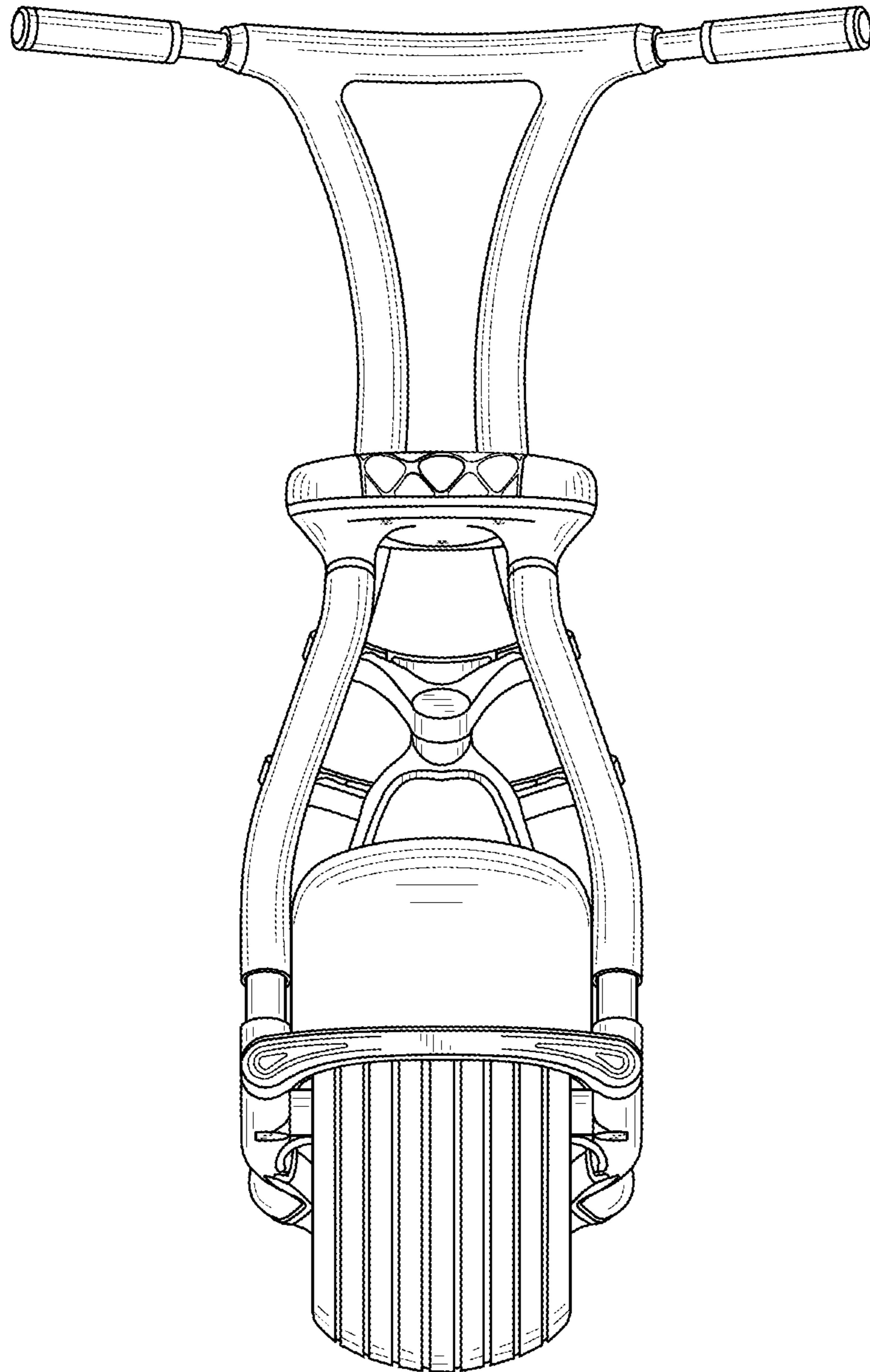


FIG. 3

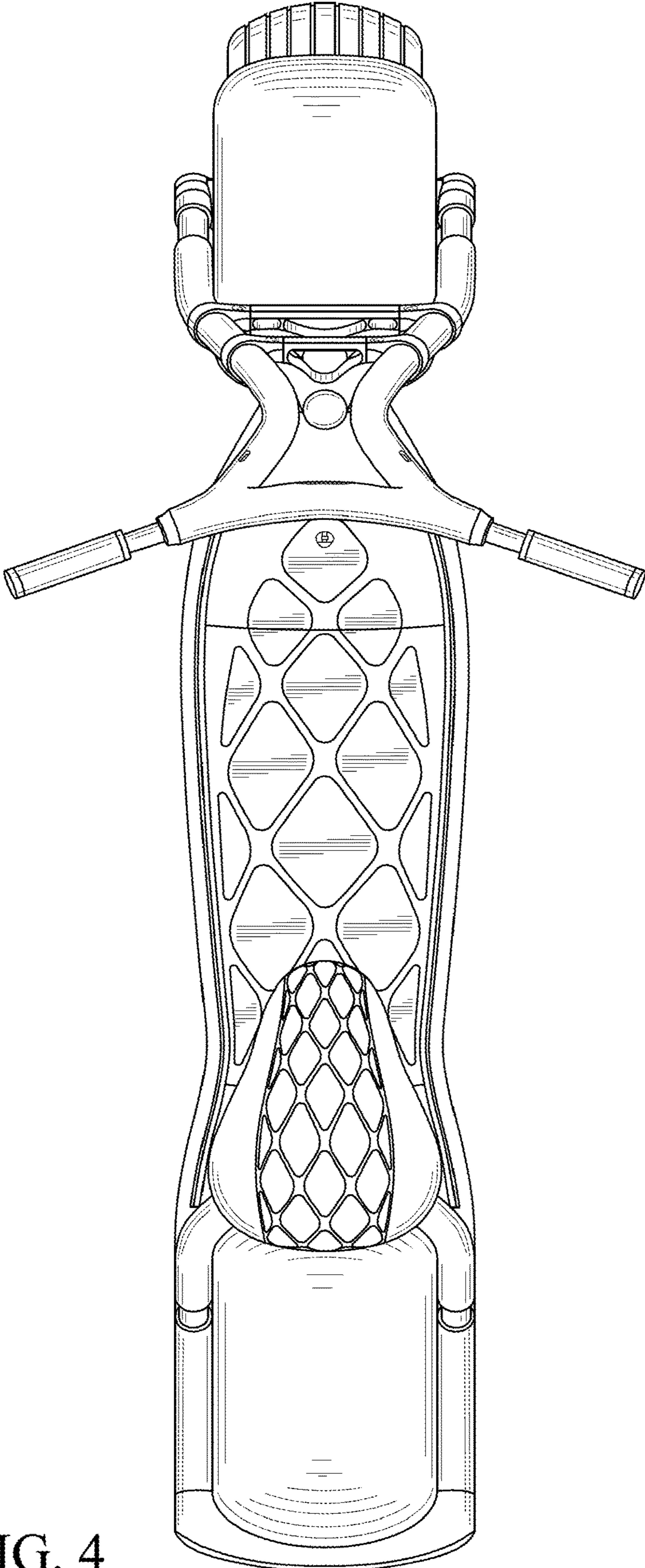


FIG. 4

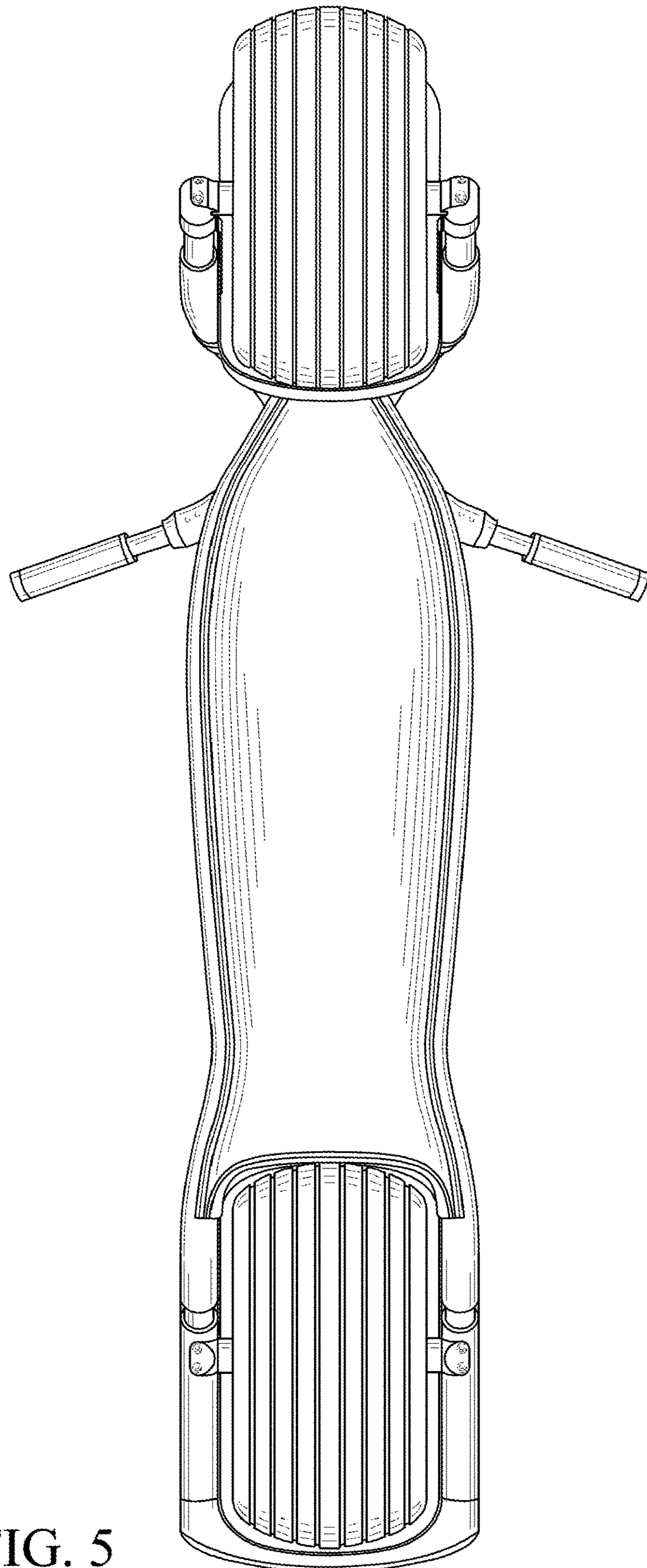


FIG. 5

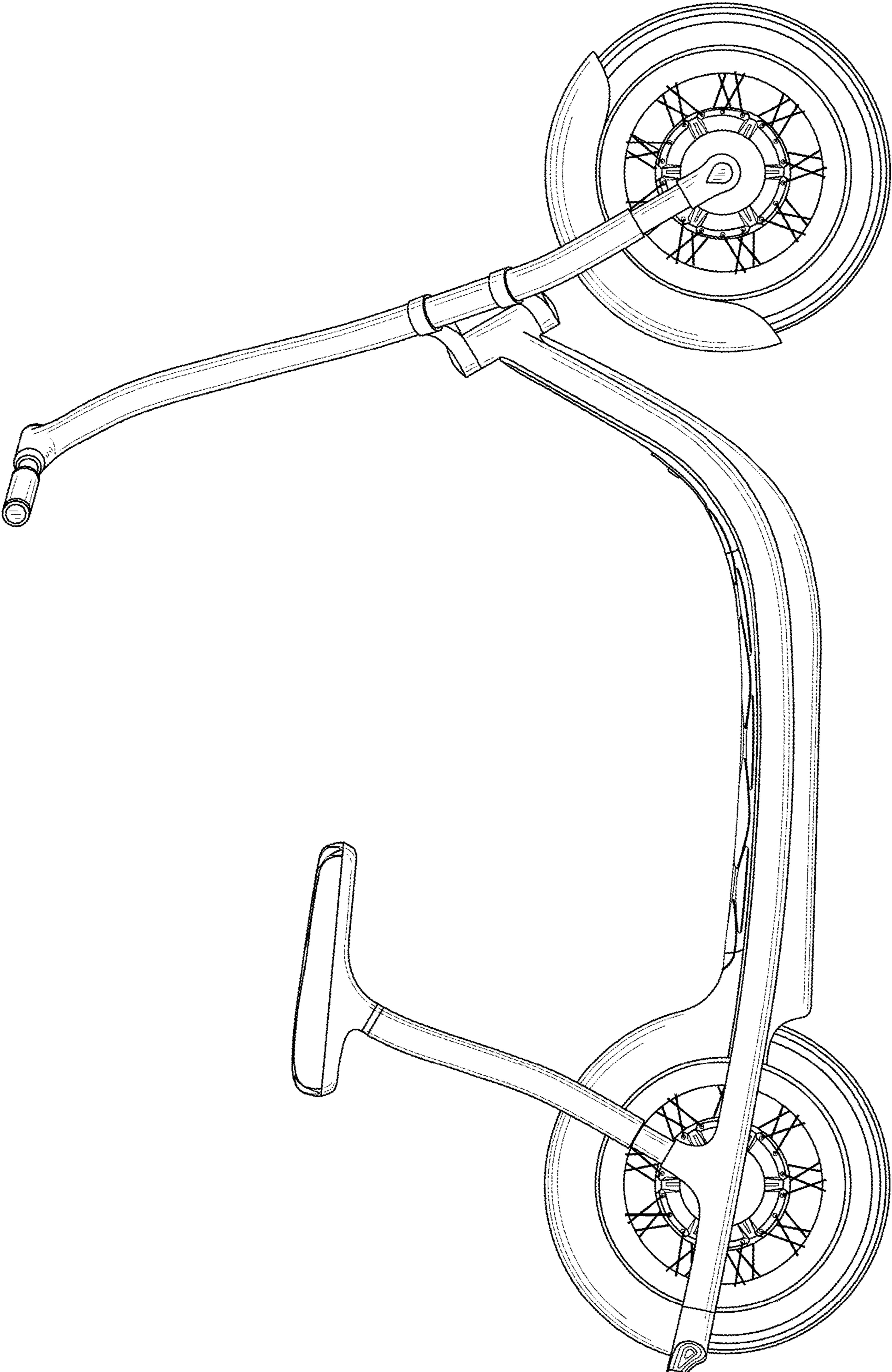


FIG. 6

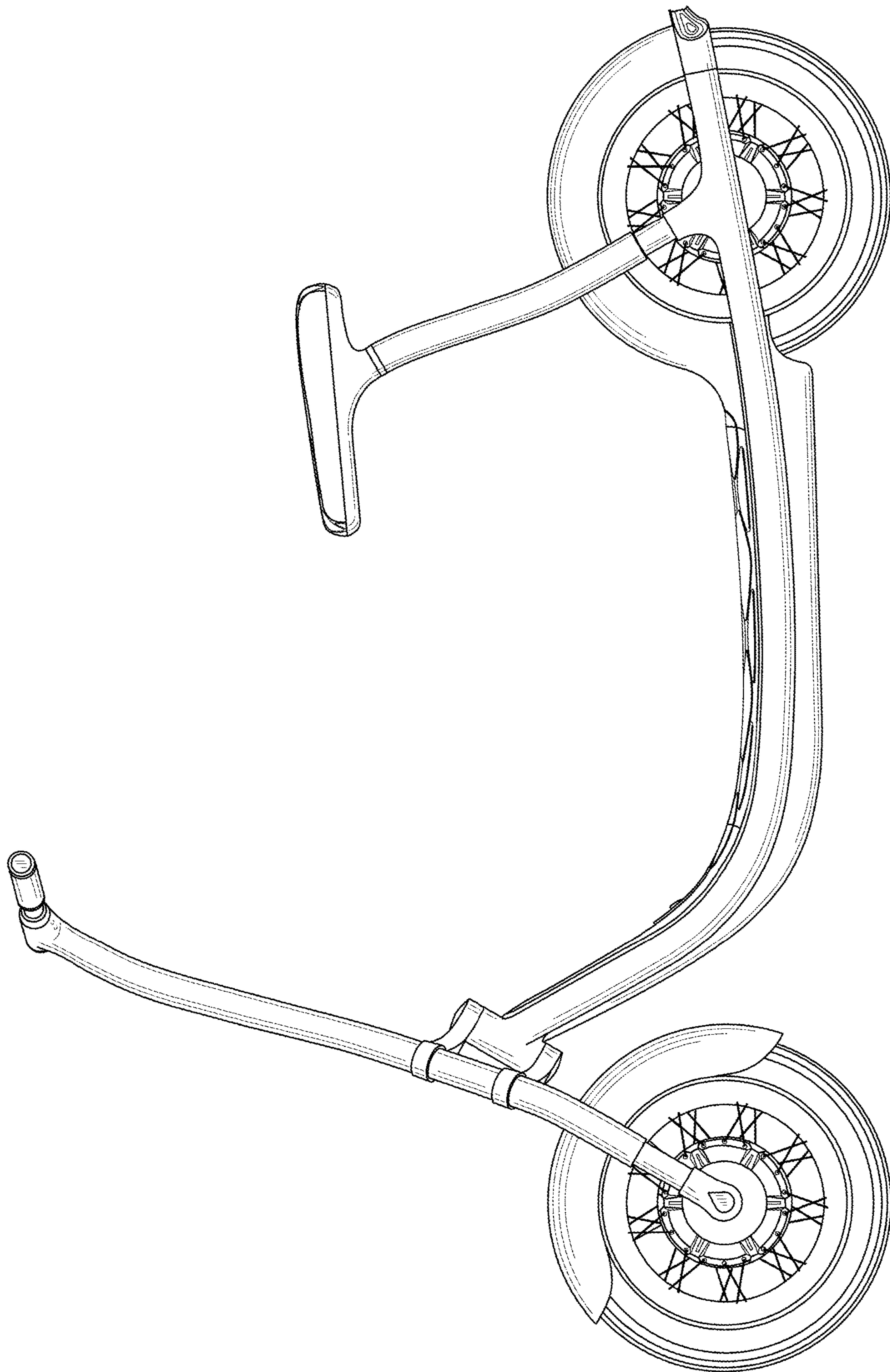


FIG. 7