



US00D980918S

(12) **United States Design Patent** (10) **Patent No.:** **US D980,918 S**
Lo (45) **Date of Patent:** **** Mar. 14, 2023**

- (54) **HANDHELD BUBBLE MACHINE**
- (71) Applicant: **Wing Hing Manufacturing Company Limited**, Hong Kong (CN)
- (72) Inventor: **Wai Chung Lo**, Hong Kong (CN)
- (73) Assignee: **Wing Hing Manufacturing Company Limited**, Hong Kong (CN)
- (**) Term: **15 Years**
- (21) Appl. No.: **29/865,503**
- (22) Filed: **Jul. 28, 2022**

6,422,974 B1 * 7/2002 Schimmel A63B 23/16
D19/126
D498,232 S * 11/2004 Ruhrig D14/228
D504,678 S * 5/2005 Ruhrig D14/228
D537,877 S * 3/2007 Bickert D19/912
D549,209 S * 8/2007 Bauman D14/155
(Continued)

OTHER PUBLICATIONS

ArtCreativity Light Up Bubble Blower Wand. Date First Available: Oct. 12, 2019. Retrieved from internet: <<https://www.amazon.ca/ArtCreativity-Light-Bubble-Blower-Wand/dp/B07MH3GKYN>> [site visited Feb. 28, 2022] (Year: 2019).*

(Continued)

Related U.S. Application Data

- (62) Division of application No. 29/761,233, filed on Dec. 8, 2020, now Pat. No. Des. 966,424.
- (51) **LOC (14) Cl.** **21-01**
- (52) **U.S. Cl.**
USPC **D21/401**; D21/402
- (58) **Field of Classification Search**
USPC D21/401, 402, 473, 405, 456, 513, 398
CPC A63H 33/28; A63H 33/00; A63J 5/025;
A63J 5/02
See application file for complete search history.

Primary Examiner — Katherine Glennon
Assistant Examiner — Yuan Yuan

(74) *Attorney, Agent, or Firm* — Epstein Drangel LLP;
Robert L. Epstein

(57) **CLAIM**

The ornamental design for a handheld bubble machine, as shown and described.

DESCRIPTION

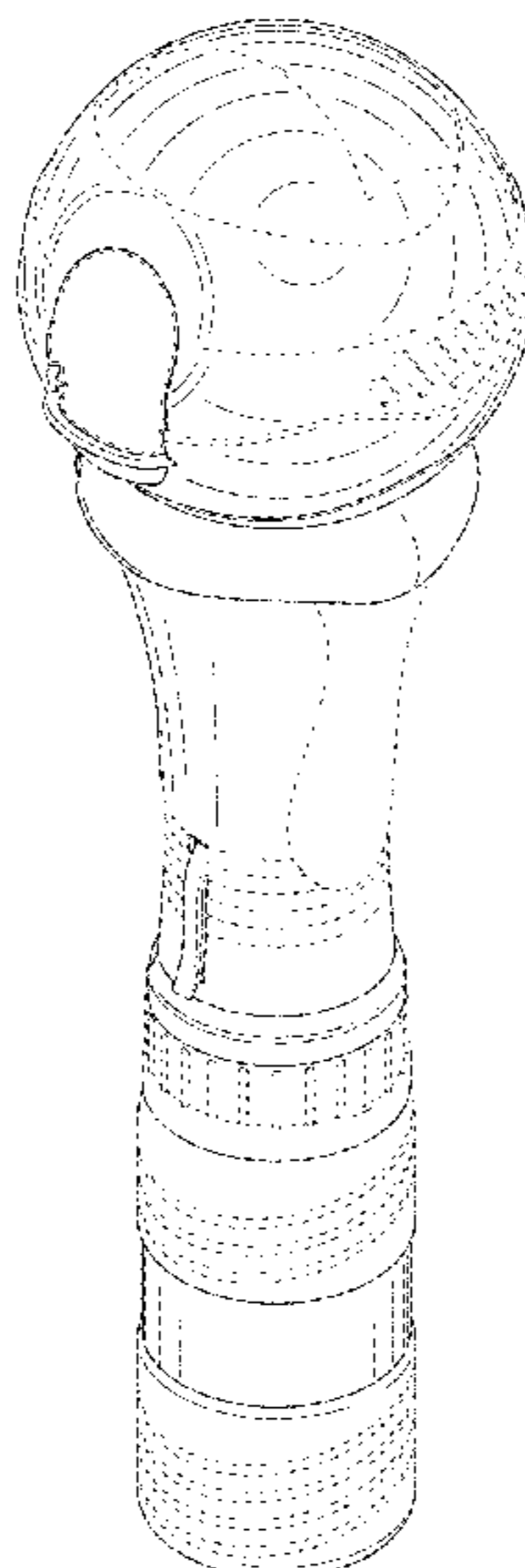
FIG. 1 is a top front right perspective view of a handheld bubble machine;
FIG. 2 is a bottom front left perspective view thereof;
FIG. 3 is a top rear right perspective view thereof;
FIG. 4 is a bottom rear left perspective view thereof;
FIG. 5 is a front elevation view thereof;
FIG. 6 is a rear elevational view thereof;
FIG. 7 is a left elevational view thereof;
FIG. 8 is a right elevational view thereof;
FIG. 9 is a top plan view thereof; and,
FIG. 10 is a bottom plan view thereof.
The broken lines in the drawings depict portions of the handheld bubble machine that form no part of the claimed design.

(56) **References Cited**

U.S. PATENT DOCUMENTS

- 4,344,184 A * 8/1982 Edwards H04B 1/04
343/702
- D324,049 S * 2/1992 Endo D14/228
- D357,016 S * 4/1995 Li D14/227
- 5,507,401 A * 4/1996 Huang A45D 34/02
215/354
- D397,119 S * 8/1998 Okon D14/228
- D425,935 S * 5/2000 Schimmel D21/402
- D426,264 S * 6/2000 Schimmel D21/402
- D445,831 S * 7/2001 Lindner D19/162
- D449,041 S * 10/2001 Koike D14/228

1 Claim, 9 Drawing Sheets



(56)

References Cited

U.S. PATENT DOCUMENTS

D595,771	S	*	7/2009	Oas	D19/906
D605,321	S	*	12/2009	Schupp	D26/40
D615,529	S	*	5/2010	Kearns	D14/207
D622,327	S	*	8/2010	Roos	D21/400
D701,123	S	*	3/2014	Lo	D9/552
D798,110	S	*	9/2017	Valenti	D7/529
D820,356	S	*	6/2018	Mantis	D19/189
D836,345	S	*	12/2018	Courtney	D4/101
D836,346	S	*	12/2018	Courtney	D4/101
D863,774	S	*	10/2019	Courtney	D4/101
D863,775	S	*	10/2019	Courtney	D4/101
D863,776	S	*	10/2019	Courtney	D4/101
D863,777	S	*	10/2019	Courtney	D4/101
D884,787	S	*	5/2020	Xu	D19/906
10,779,068	B1	*	9/2020	Williams, Sr.	H04R 1/04
D933,757	S	*	10/2021	Wen	D21/513
2006/0116048	A1	*	6/2006	Choi	A63H 33/28 446/15
2016/0361664	A1	*	12/2016	Chan	A63H 33/28
2019/0111358	A1	*	4/2019	Kelly	A63H 33/28
2020/0054959	A1	*	2/2020	Weigl, Jr.	A63H 33/28
2021/0379503	A1	*	12/2021	Kelly	A63H 33/22

OTHER PUBLICATIONS

Fun Central LED Light Up Bubble Blaster Wand Machine. Date First Available: Oct. 31, 2018. Retrieved from internet: <<https://www.amazon.com.au/Fun-Central-Blaster-Machine-Solution/dp/B076HX2H92>> [site visited Nov. 7, 2022] (Year: 2018).*

* cited by examiner

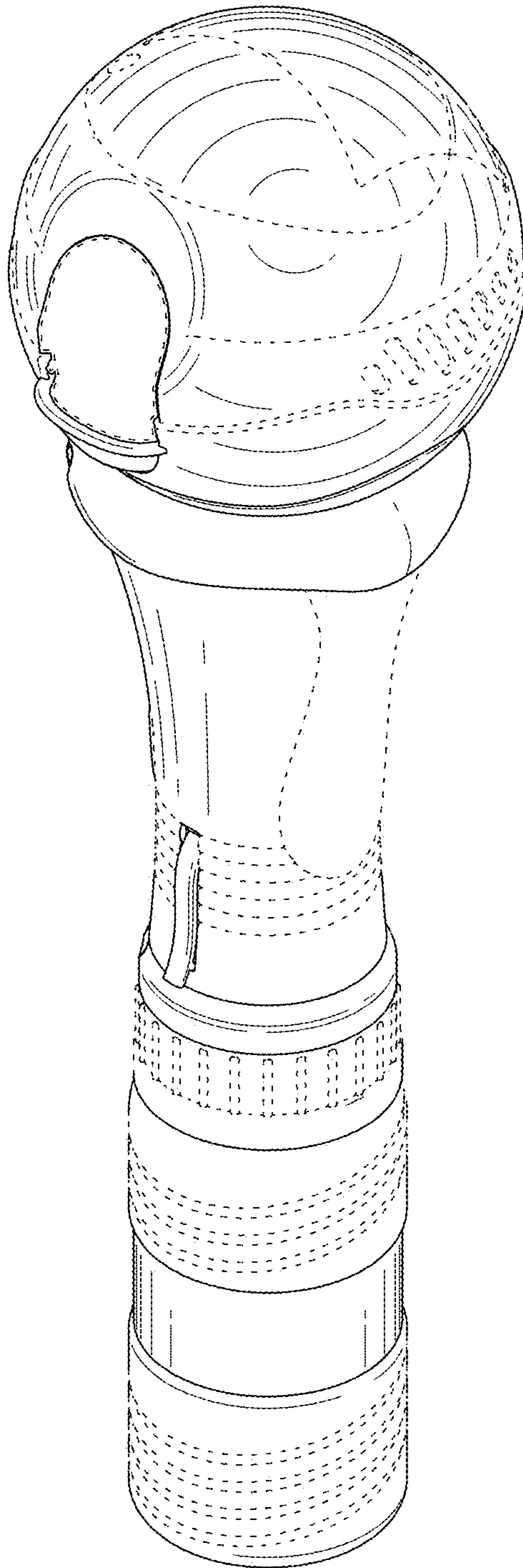


FIG. 1

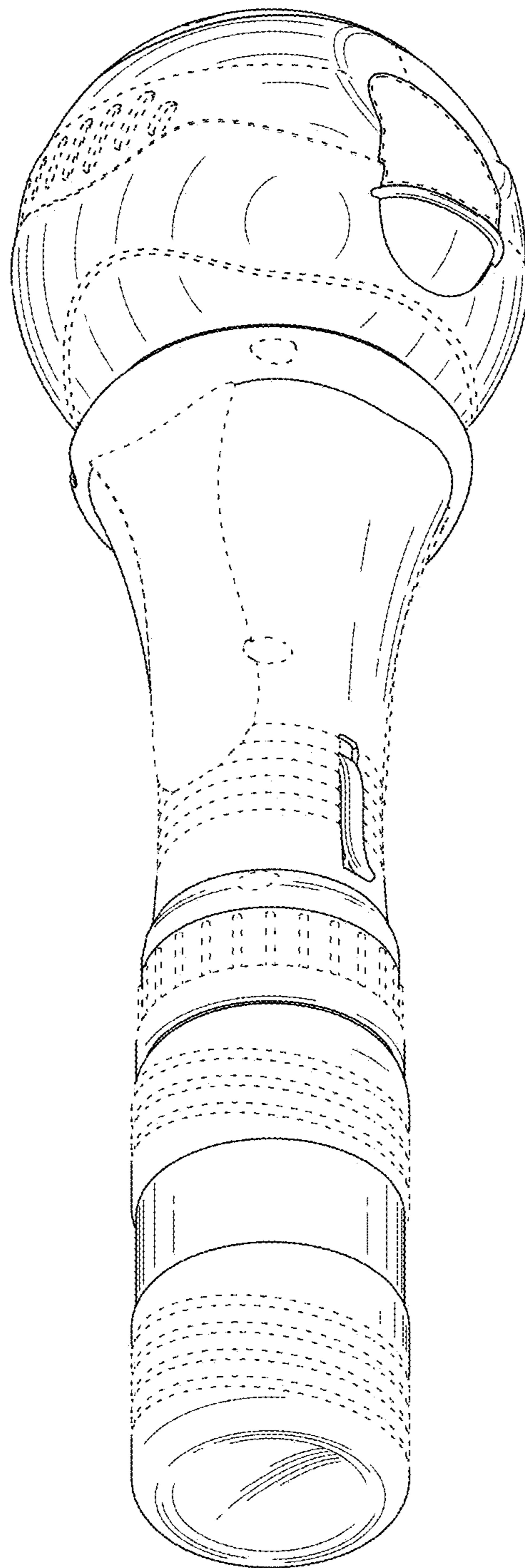


FIG. 2

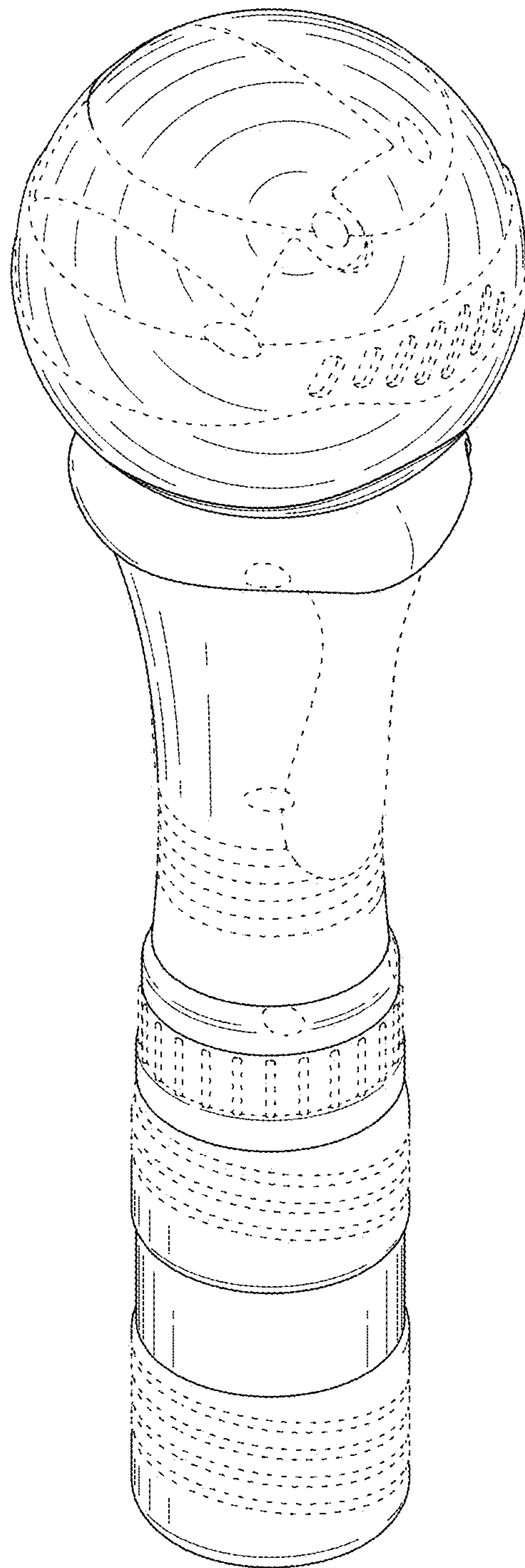


FIG. 3

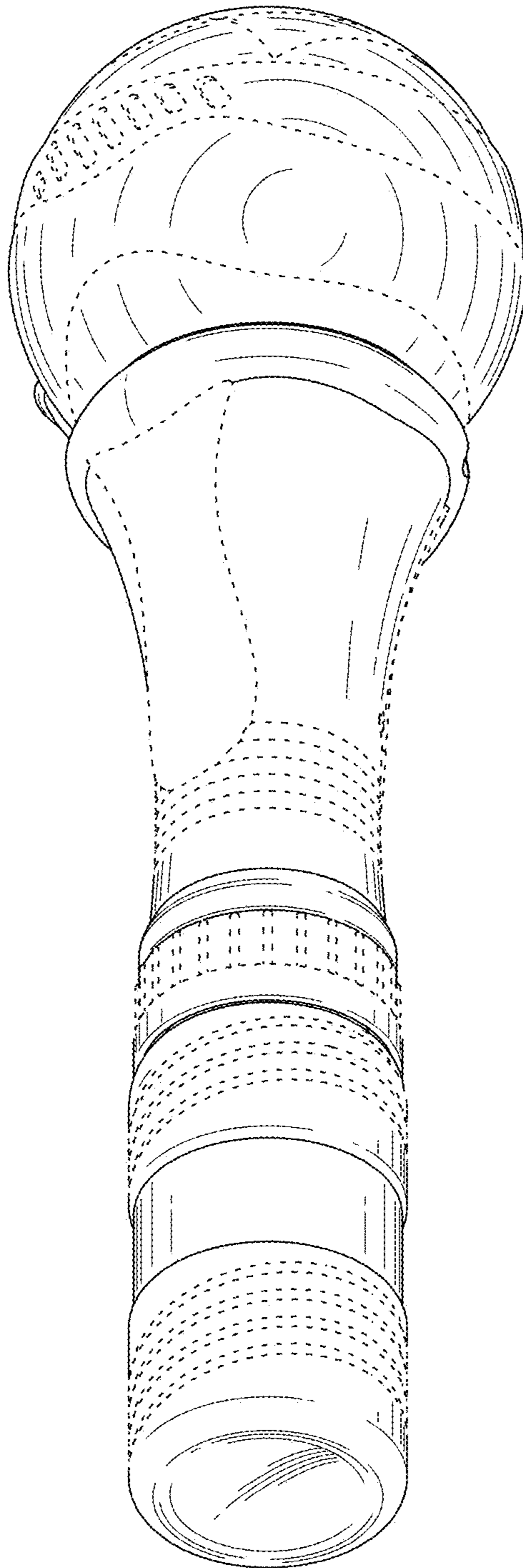


FIG. 4

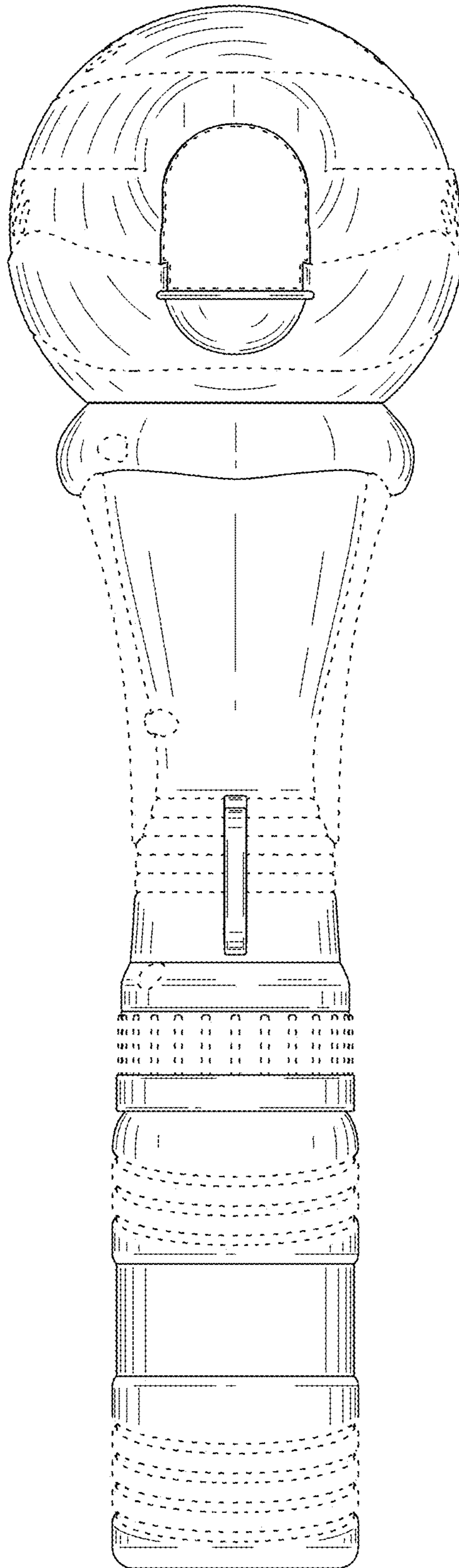


FIG. 5

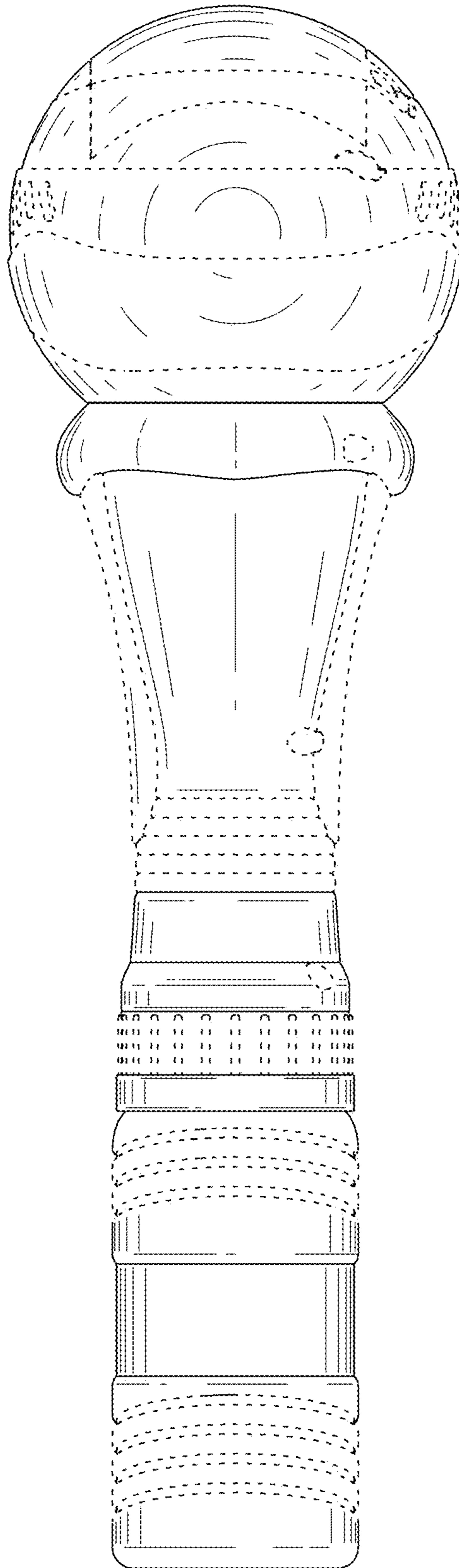


FIG. 6

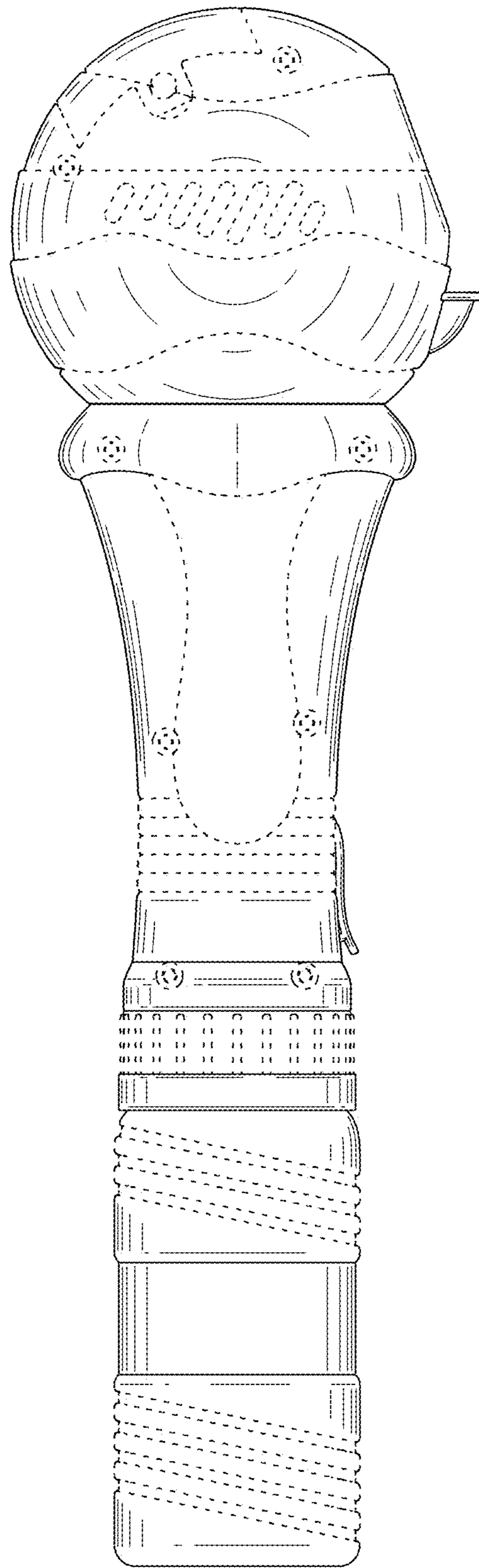


FIG. 7

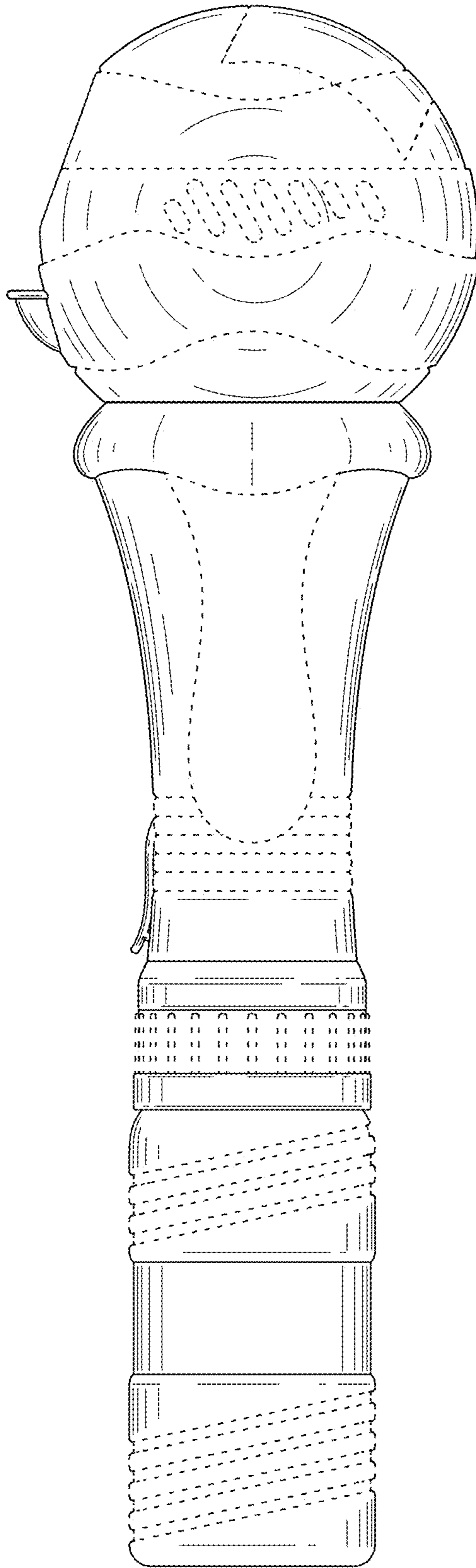


FIG. 8

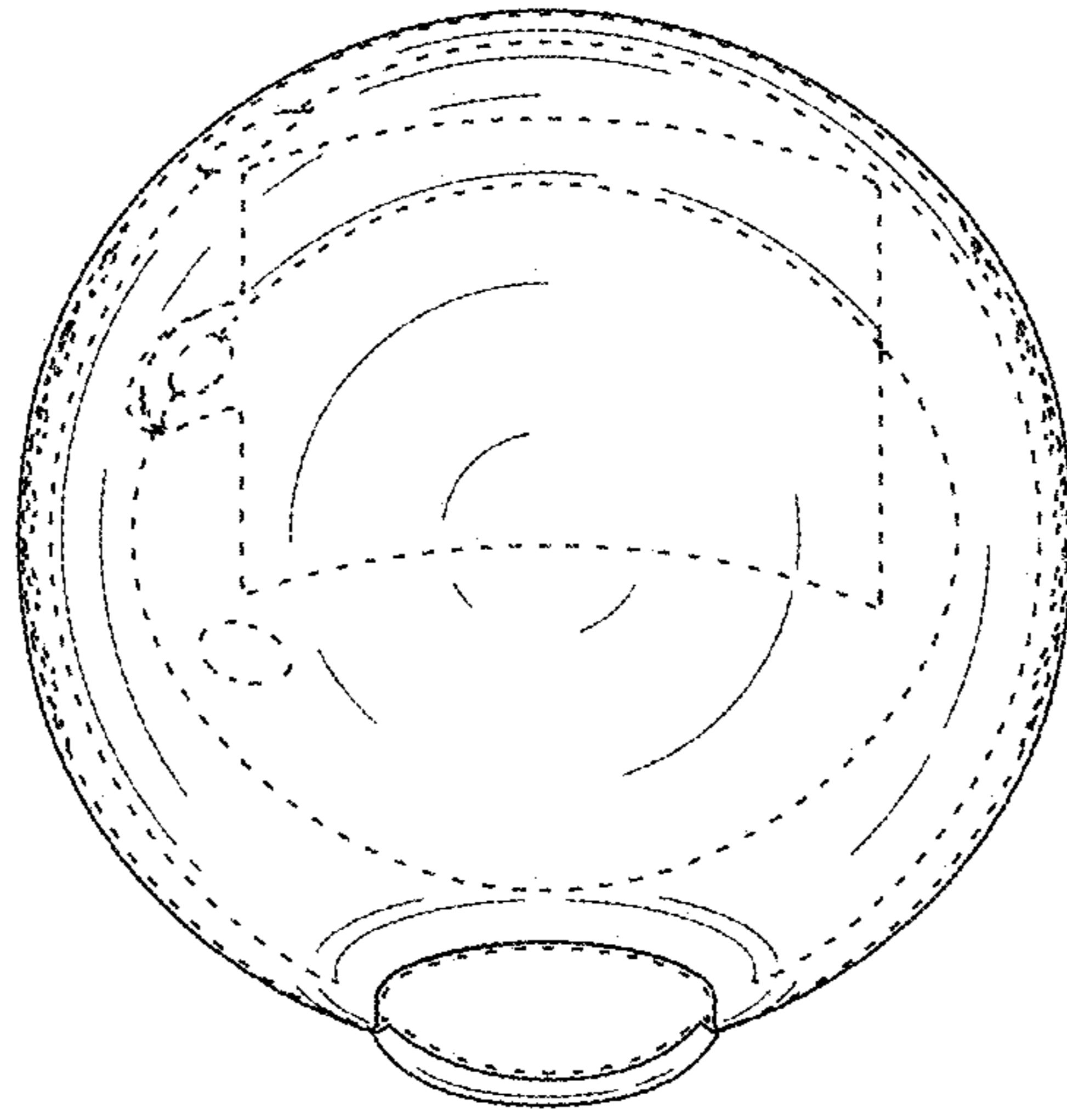


FIG. 9

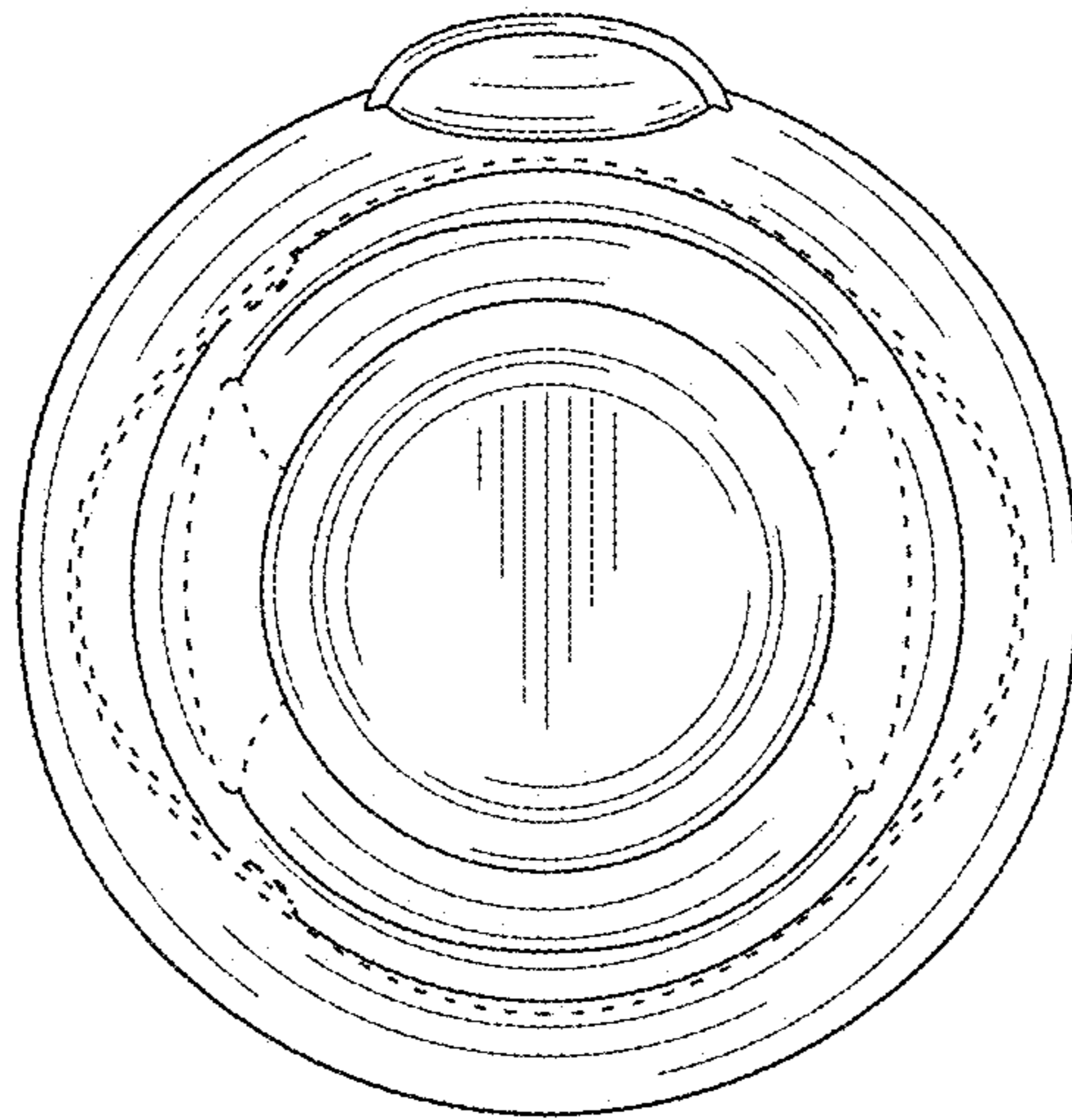


FIG. 10