



US00D980913S

(12) **United States Design Patent**
Conrad

(10) **Patent No.:** **US D980,913 S**

(45) **Date of Patent:** **** Mar. 14, 2023**

(54) **STEERING WHEEL FOR GAME SYSTEMS**

(71) Applicant: **Endor AG**, Landshut (DE)

(72) Inventor: **Bernhard Conrad**, Buch am Erlbach (DE)

(**) Term: **15 Years**

(21) Appl. No.: **35/513,655**

(22) Filed: **Aug. 20, 2021**

(80) **Hague Agreement Data**

Int. Filing Date: **Aug. 20, 2021**

Int. Reg. No.: **DM/218806**

Int. Reg. Date: **Aug. 20, 2021**

Int. Reg. Pub. Date: **Feb. 18, 2022**

(30) **Foreign Application Priority Data**

Mar. 29, 2021 (EM) 008480487-0001

(51) **LOC (14) Cl.** **21-01**

(52) **U.S. Cl.**
USPC **D21/333; D12/175**

(58) **Field of Classification Search**

USPC D21/324, 333; D14/384, 385, 388, 389,
D14/390, 412, 413, 414, 415, 416, 417,
D14/454, 455; D12/175, 176, 177

CPC A63F 13/20; A63F 13/24; A63F 13/98;
A63F 13/245

See application file for complete search history.

(56) **References Cited**

U.S. PATENT DOCUMENTS

D427,600 S * 7/2000 Probstel D14/414

D641,797 S * 7/2011 Chen D21/333

D708,675 S *	7/2014	Delrue	D21/333
D737,184 S *	8/2015	Oosuda	D12/175
D769,781 S *	10/2016	Allison	D12/175
D776,023 S *	1/2017	Allison	D12/175
D813,123 S *	3/2018	Allison	D12/175
D839,802 S *	2/2019	Hilton	D12/175
D850,336 S *	6/2019	Mariotti	D12/175
D867,237 S *	11/2019	Resta	D12/175
D867,238 S *	11/2019	Mariotti	D12/175
D893,369 S *	8/2020	Kafantaris	D12/175
D909,004 S *	1/2021	Brendel	D21/333
D911,447 S *	2/2021	Conrad	D21/333
D918,106 S *	5/2021	Mignot	D12/176
D954,840 S *	6/2022	Jackermeier	D21/333
D954,841 S *	6/2022	Conrad	D21/333
D955,489 S *	6/2022	Conrad	D21/333

* cited by examiner

Primary Examiner — Mehri F Bajoul

(57) **CLAIM**

The ornamental design for a steering wheel for game systems, as shown and described.

DESCRIPTION

1. Steering wheel for game systems

1.1 : Right

1.2 : Left

1.3 : Perspective

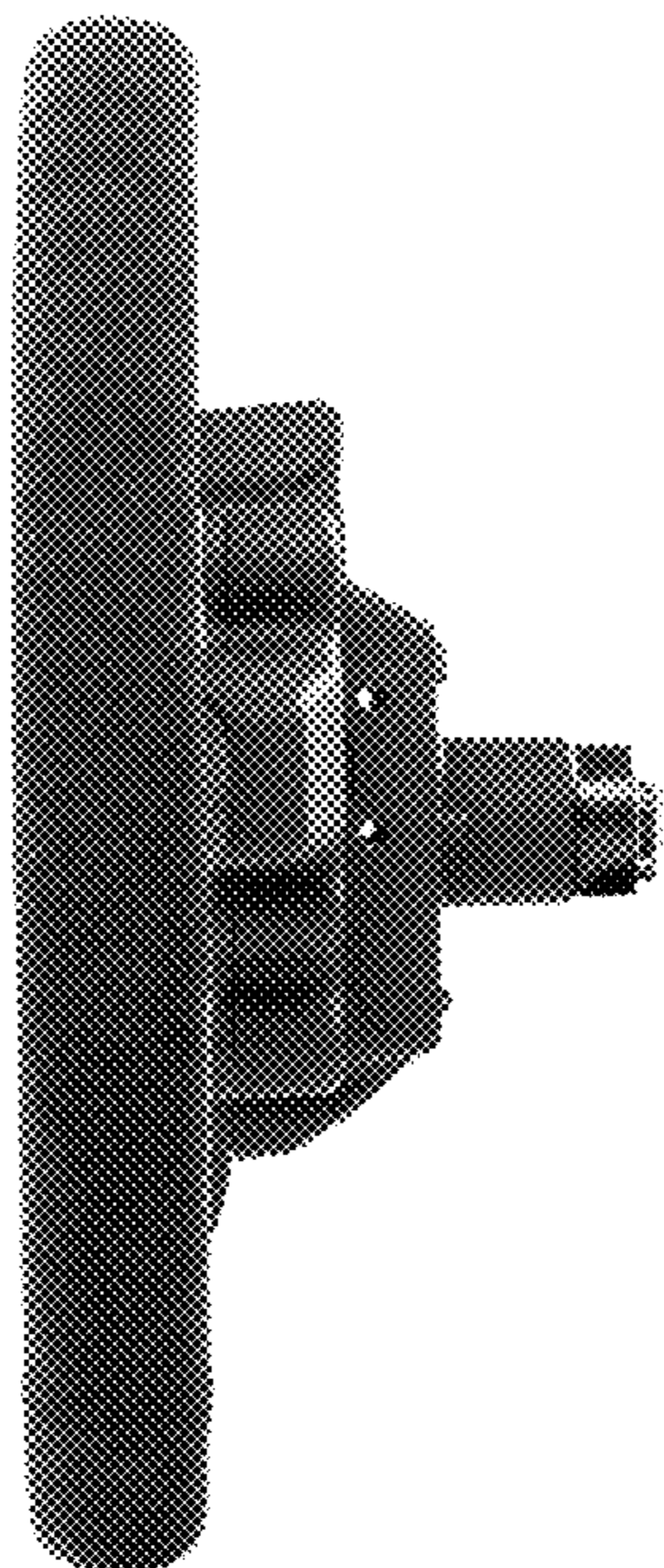
1.4 : Bottom

1.5 : Top

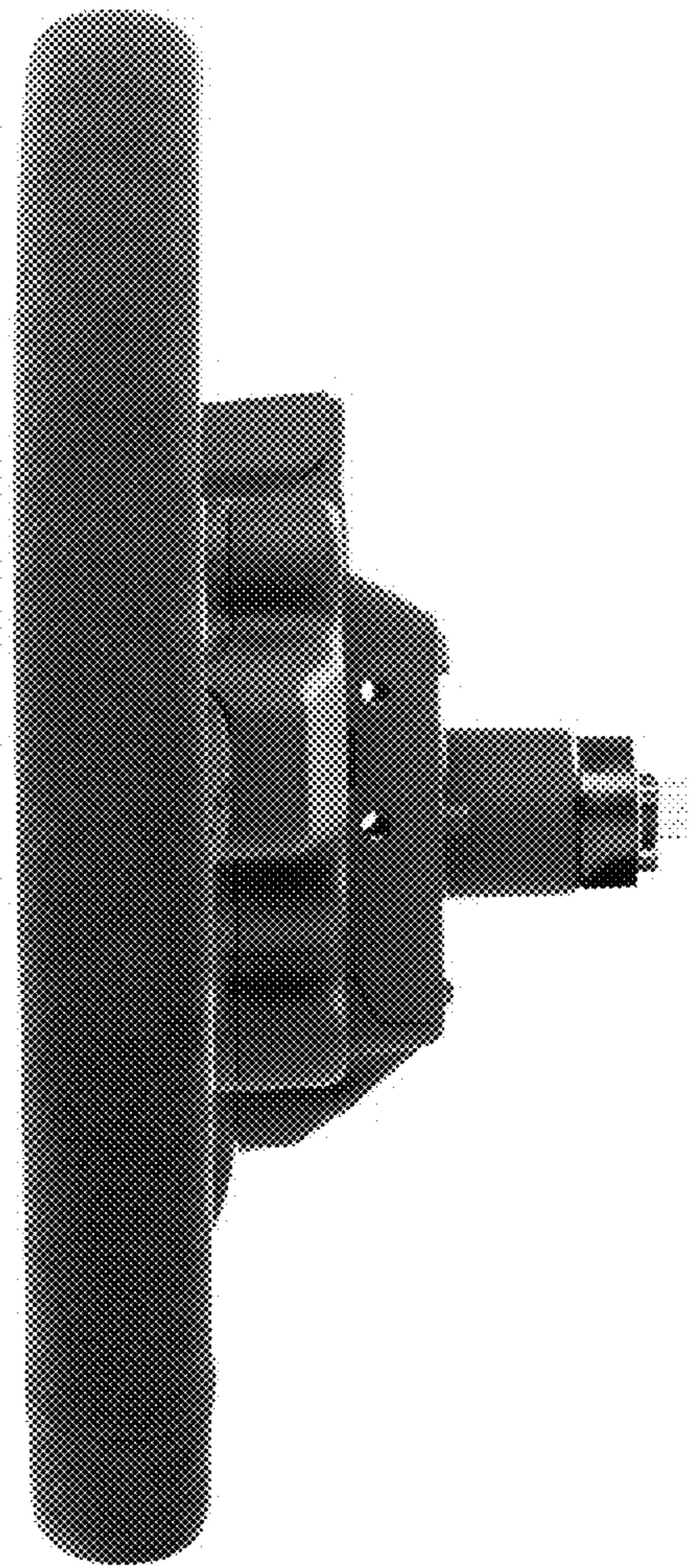
1.6 : Front

1.7 : Back

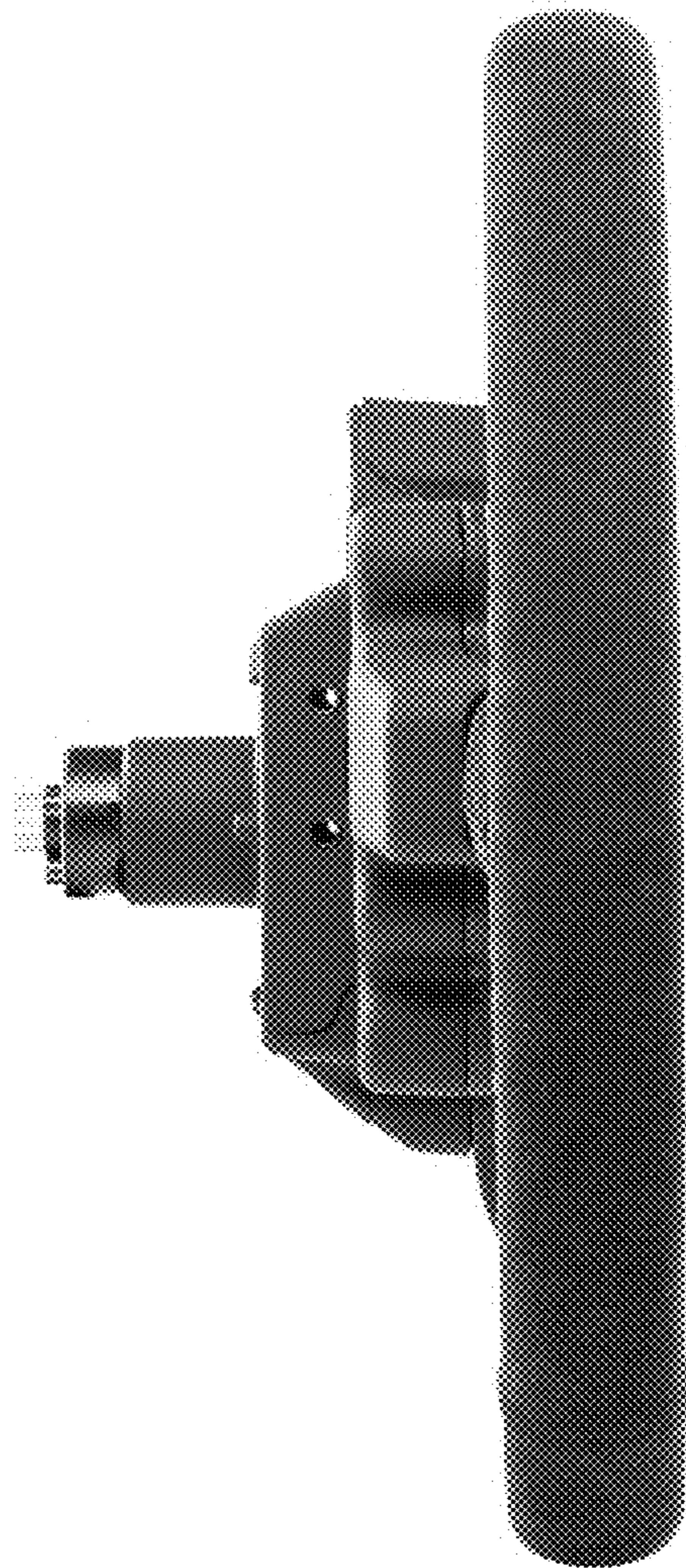
1 Claim, 7 Drawing Sheets



1.1



1.2



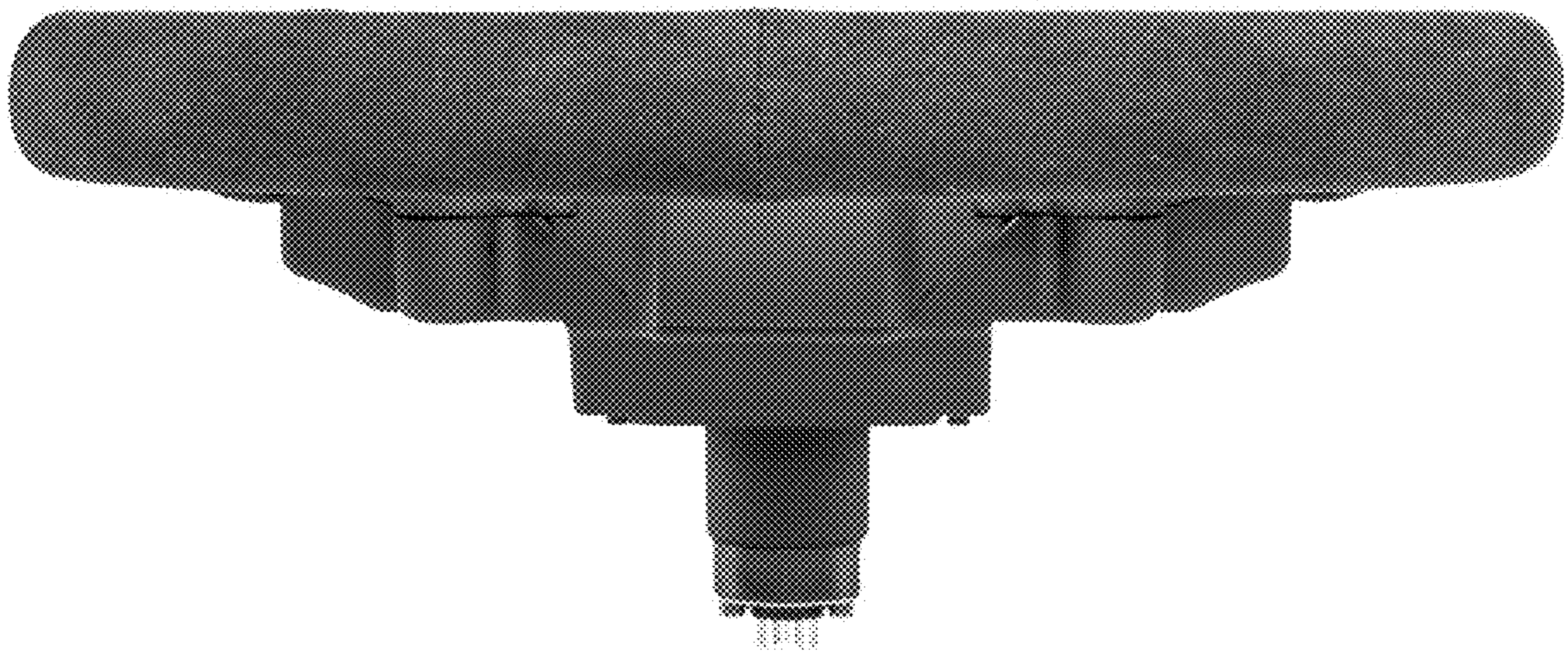
1.3



1.4



1.5



1.6



1.7

