



US00D980912S

(12) **United States Design Patent**  
**Conrad**

(10) **Patent No.:** **US D980,912 S**  
(45) **Date of Patent:** **\*\* Mar. 14, 2023**

(54) **STEERING WHEEL FOR GAME SYSTEMS**

(71) Applicant: **Endor AG**, Landshut (DE)

(72) Inventor: **Bernhard Conrad**, Buch am Erlbach (DE)

(\*\*) Term: **15 Years**

(21) Appl. No.: **35/513,239**

(22) Filed: **Sep. 3, 2021**

(80) **Hague Agreement Data**

Int. Filing Date: **Sep. 3, 2021**  
Int. Reg. No.: **DM/217846**  
Int. Reg. Date: **Sep. 3, 2021**  
Int. Reg. Pub. Date: **Dec. 24, 2021**

(30) **Foreign Application Priority Data**

Mar. 29, 2021 (EM) ..... 008479026-0001

(51) **LOC (14) Cl.** ..... **21-01**

(52) **U.S. Cl.**  
USPC ..... **D21/333; D12/175**

(58) **Field of Classification Search**

USPC ..... D21/324, 333; D14/384, 385, 388, 389,  
D14/390, 412, 413, 414, 415, 416, 417,  
D14/454, 455; D12/175, 176, 177  
CPC ..... A63F 13/20; A63F 13/24; A63F 13/98;  
A63F 13/245

See application file for complete search history.

(56) **References Cited**

**U.S. PATENT DOCUMENTS**

D427,600 S \* 7/2000 Probstel ..... D14/414  
D641,797 S \* 7/2011 Chen ..... D21/333  
D708,675 S \* 7/2014 Delrue ..... D21/333  
D737,184 S \* 8/2015 Oosuda ..... D12/175  
D769,781 S \* 10/2016 Allison ..... D12/175  
D776,023 S \* 1/2017 Allison ..... D12/175

D813,123 S \* 3/2018 Allison ..... D12/175  
D839,802 S \* 2/2019 Hilton ..... D12/175  
D850,336 S \* 6/2019 Mariotti ..... D12/175  
D867,237 S \* 11/2019 Resta ..... D12/175  
D867,238 S \* 11/2019 Mariotti ..... D12/175  
D893,369 S \* 8/2020 Kafantaris ..... D12/175  
D909,004 S \* 1/2021 Brendel ..... D21/333  
D911,447 S \* 2/2021 Conrad ..... D21/333  
D918,106 S \* 5/2021 Mignot ..... D12/176  
D954,840 S \* 6/2022 Jackermeier ..... D21/333  
D954,841 S \* 6/2022 Conrad ..... D21/333  
D955,489 S \* 6/2022 Conrad ..... D21/333

**OTHER PUBLICATIONS**

“Custom Creation for fanatec F1 Esport V2 Wheel” posted 2022[Online], [retrieved Oct. 19, 2022]. Retrieved from Internet: <https://lovelystickers.com/products/custom-creation-for-fanatec-f1-esport-v2-wheel>.\*

\* cited by examiner

*Primary Examiner* — Mehri F Bajoul

(57) **CLAIM**

The ornamental design for a steering wheel for game systems, as shown and described.

**DESCRIPTION**

The patent or application file contains at least one drawing executed in color. Copies of this patent or patent application publication with color drawing(s) will be provided by the Office upon request and payment of the necessary fee.

1. Steering wheel for game systems

- 1.1 : Front
- 1.2 : Back
- 1.3 : Left
- 1.4 : Right
- 1.5 : Top
- 1.6 : Bottom
- 1.7 : Perspective

**1 Claim, 7 Drawing Sheets**  
**(7 of 7 Drawing Sheet(s) Filed in Color)**



1.1

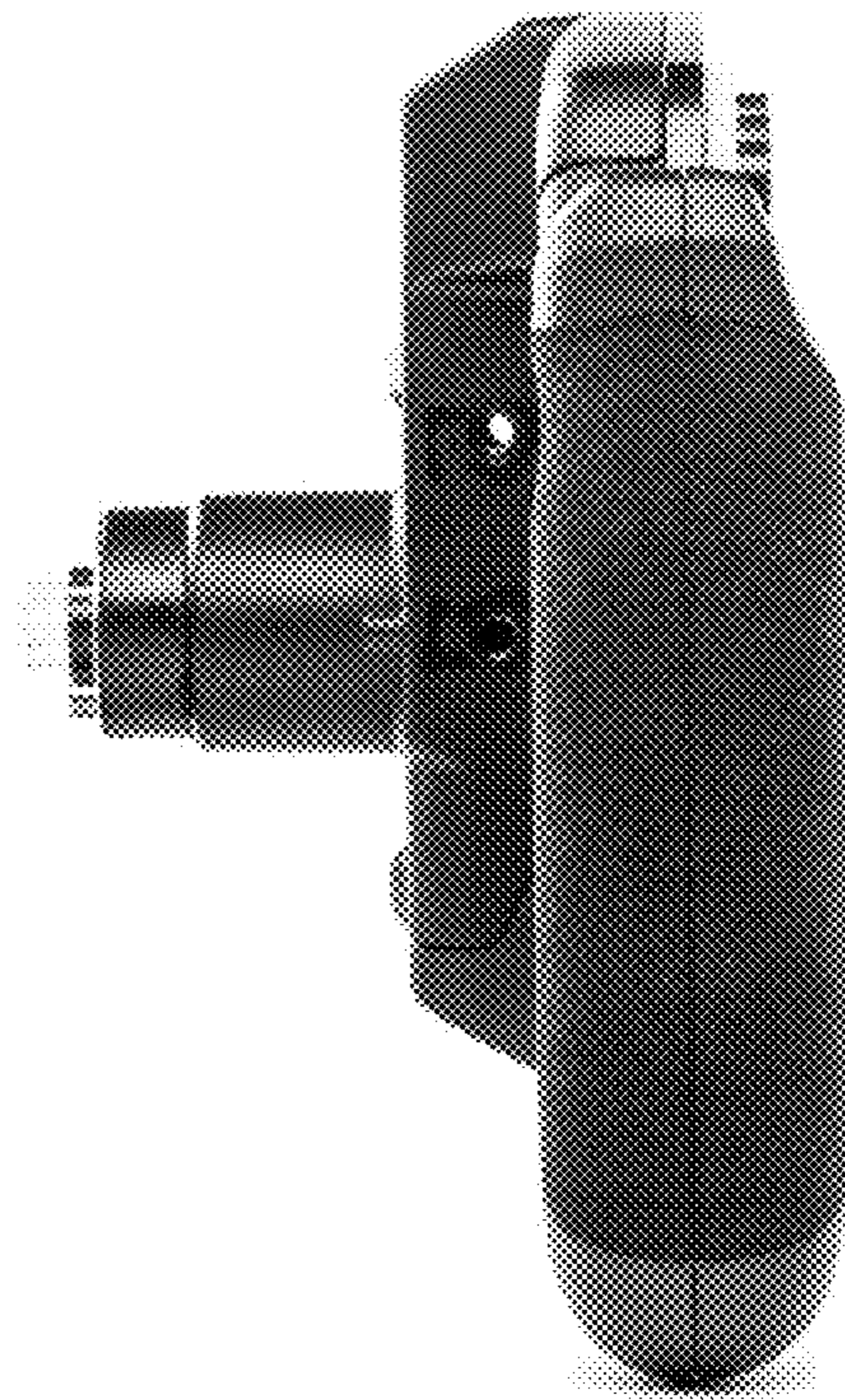
FIG. 1



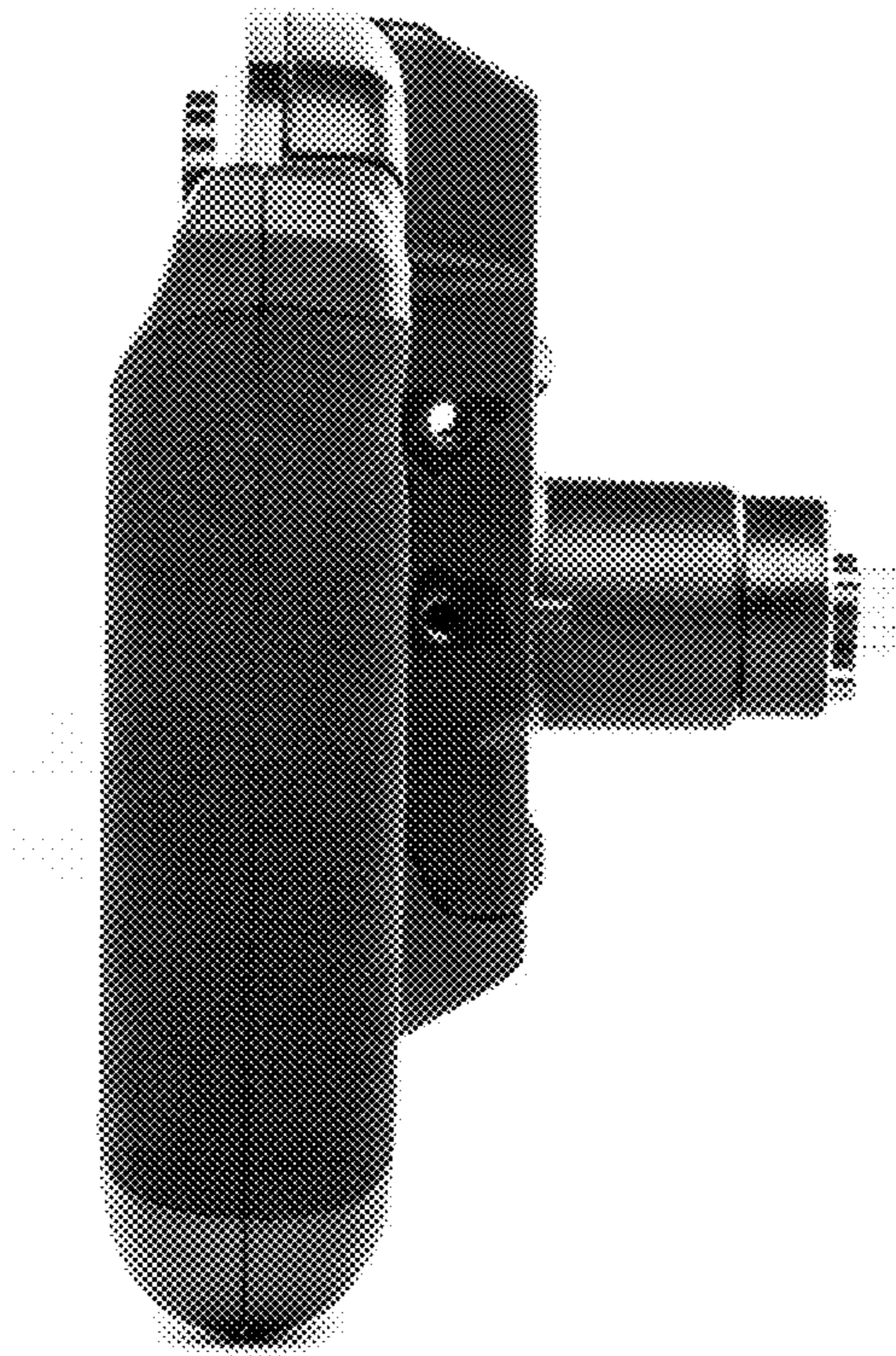
1.2



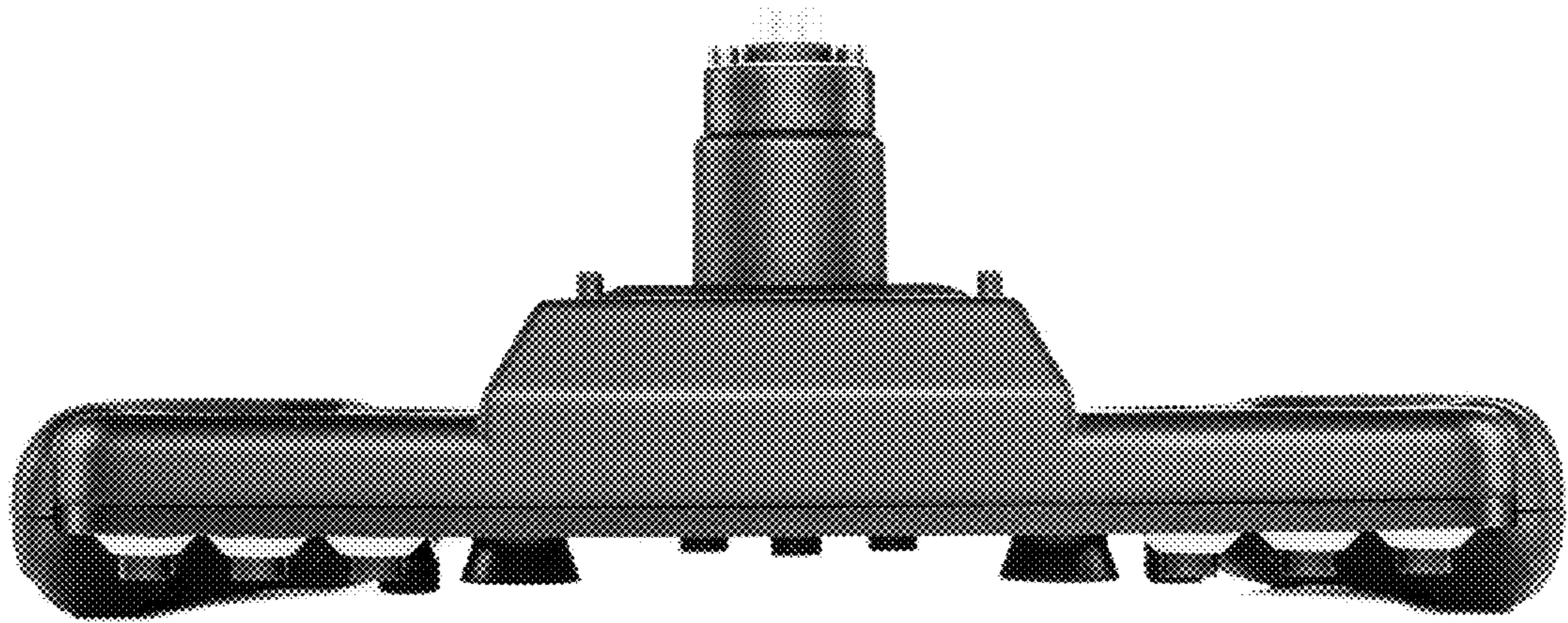
1.3



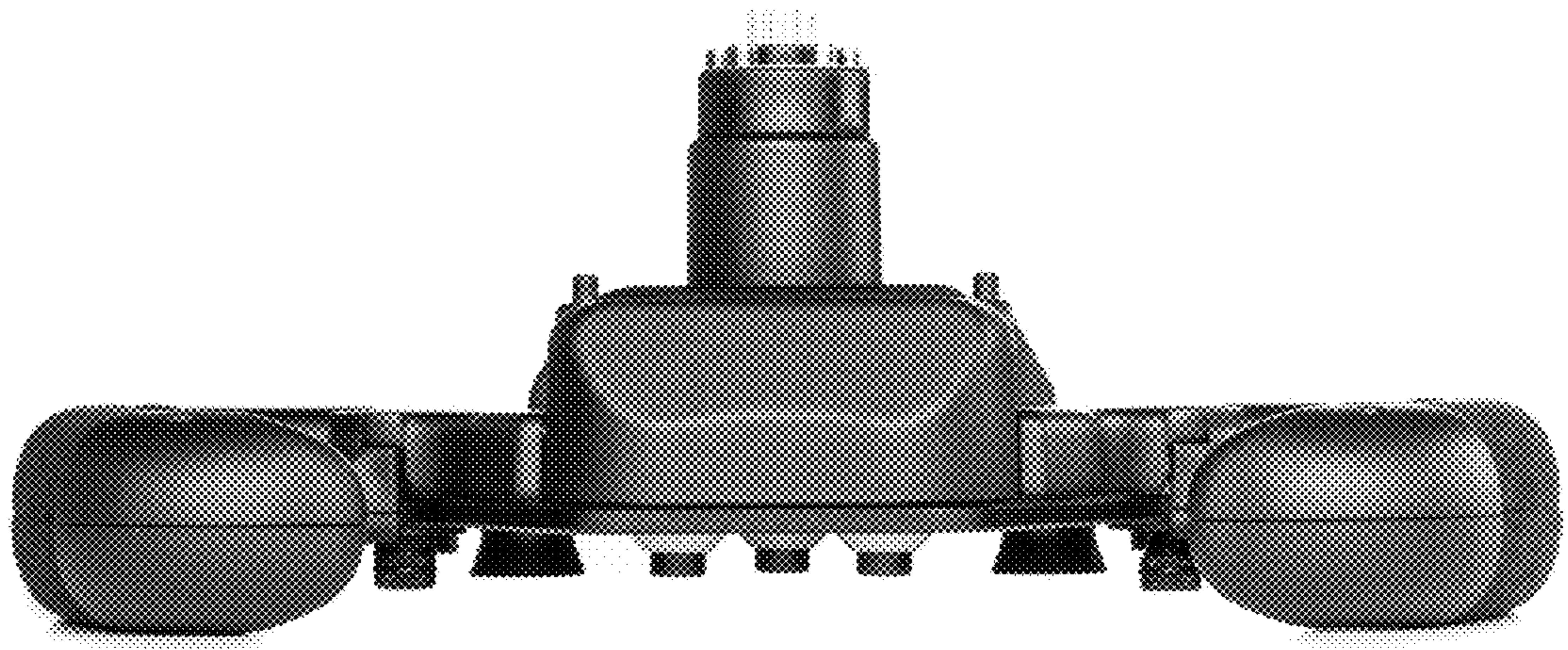
1.4



1.5



1.6



1.7

