



US00D980911S

(12) **United States Design Patent**  
**Conrad**

(10) **Patent No.:** **US D980,911 S**  
(45) **Date of Patent:** **\*\* Mar. 14, 2023**

(54) **ACCESSORY FOR VIDEO GAMES  
ELECTRONIC GAMES CONSOLES AND  
COMPUTER GAMES**

(71) Applicant: **Endor AG**, Landshut (DE)

(72) Inventor: **Bernhard Conrad**, Buch am Erlbach  
(DE)

(\*\*) Term: **15 Years**

(21) Appl. No.: **35/513,181**

(22) Filed: **Sep. 2, 2021**

(80) **Hague Agreement Data**

Int. Filing Date: **Sep. 2, 2021**

Int. Reg. No.: **DM/217809**

Int. Reg. Date: **Sep. 2, 2021**

Int. Reg. Pub. Date: **Dec. 17, 2021**

(30) **Foreign Application Priority Data**

Mar. 19, 2021 (EM) ..... 008468862-0001

(51) **LOC (14) Cl.** ..... **21-01**

(52) **U.S. Cl.**

USPC ..... **D21/333**

(58) **Field of Classification Search**

USPC ..... D21/327, 85, 686, 696, 697, 698, 731;  
D13/167; D12/39, 42, 306, 415

CPC .. B60N 2/2812; B60N 2/2845; B60N 2/2884;  
B64D 11/0649; B64D 11/0607; A47C

7/14; A47C 9/002; A47C 3/025; A47C

7/024; A47C 7/029; A63B 23/0429; A63B

22/0069; A63B 22/0056

See application file for complete search history.

(56) **References Cited**

**U.S. PATENT DOCUMENTS**

D281,343 S \* 11/1985 Krive ..... 482/71

D348,492 S \* 7/1994 Konarski, II ..... D21/673

D349,542 S \* 8/1994 Russell ..... D21/685  
D358,625 S \* 5/1995 Enriquez, Jr. .... D29/101.1  
D519,583 S \* 4/2006 Chen ..... D21/668  
D520,083 S \* 5/2006 Lu ..... D21/685  
D545,772 S \* 7/2007 Schurg ..... D13/167  
D589,460 S \* 3/2009 Yang ..... D13/167  
D615,596 S \* 5/2010 Bik ..... D21/324  
D642,222 S \* 7/2011 Pezzoni ..... D21/333  
8,061,767 B2 \* 11/2011 Kunzler ..... A47C 9/002  
297/284.3  
D753,231 S \* 4/2016 Sakai ..... D21/326  
(Continued)

**OTHER PUBLICATIONS**

“Fanatec CLS Pedal Clutch Kit” posted Jan. 2022[Online], [retrieved Oct. 19, 2022]. Retrieved from Internet: <https://digital-motorsports.com/products/fanatec-csl-pedals-clutch-kit>.\*

(Continued)

*Primary Examiner* — Mehri F Bajoul

(57) **CLAIM**

The ornamental design for an accessory for video games, electronic games consoles, and computer games, as shown and described.

**DESCRIPTION**

The patent or application file contains at least one drawing executed in color. Copies of this patent or patent application publication with color drawing(s) will be provided by the Office upon request and payment of the necessary fee.

1. Accessory for video games, electronic games consoles, and computer games

1.1 : Front

1.2 : Back

1.3 : Bottom

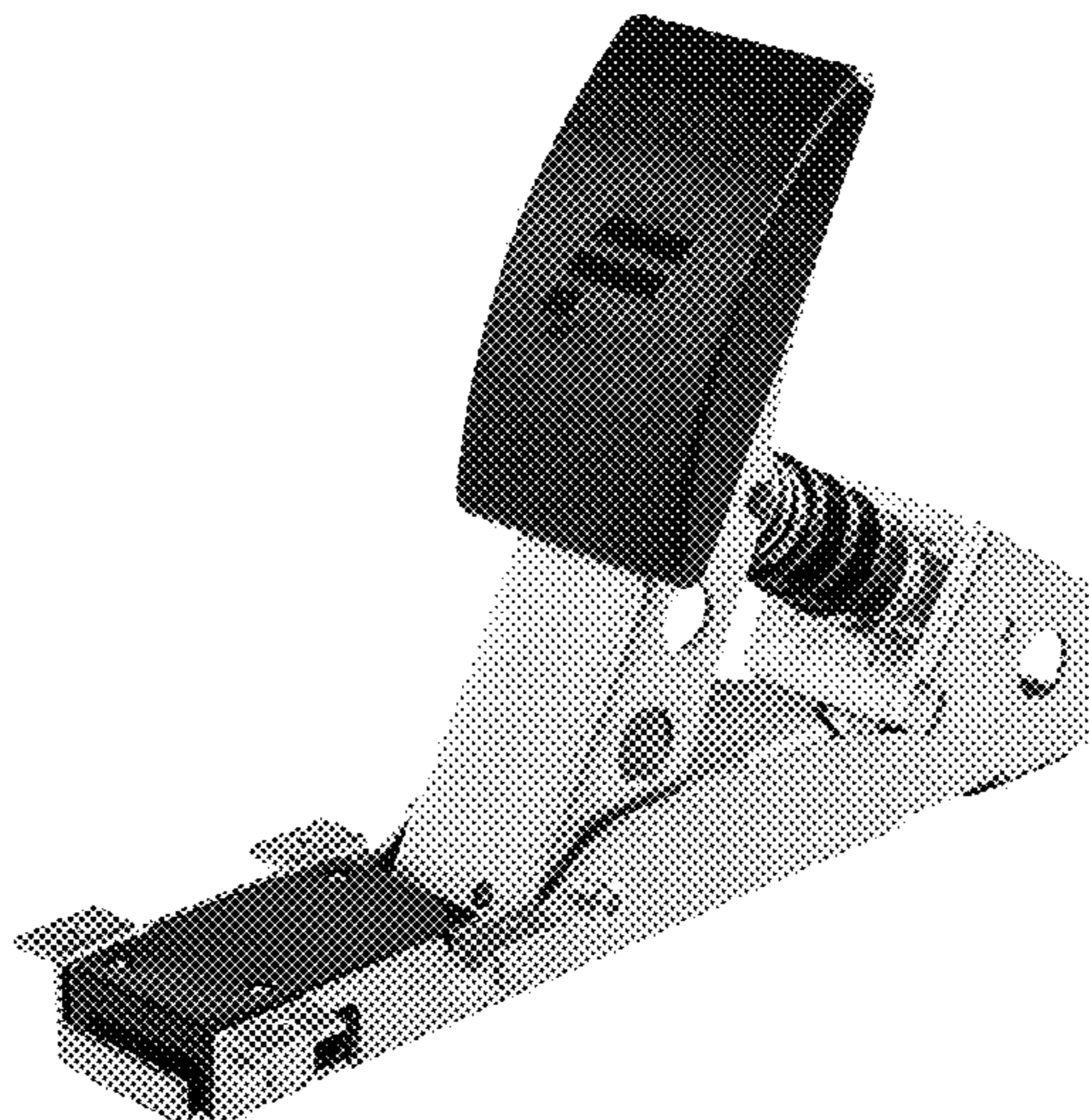
1.4 : Top

1.5 : Right

1.6 : Left

1.7 : Perspective

**1 Claim, 7 Drawing Sheets**  
**(7 of 7 Drawing Sheet(s) Filed in Color)**



(56)

**References Cited**

U.S. PATENT DOCUMENTS

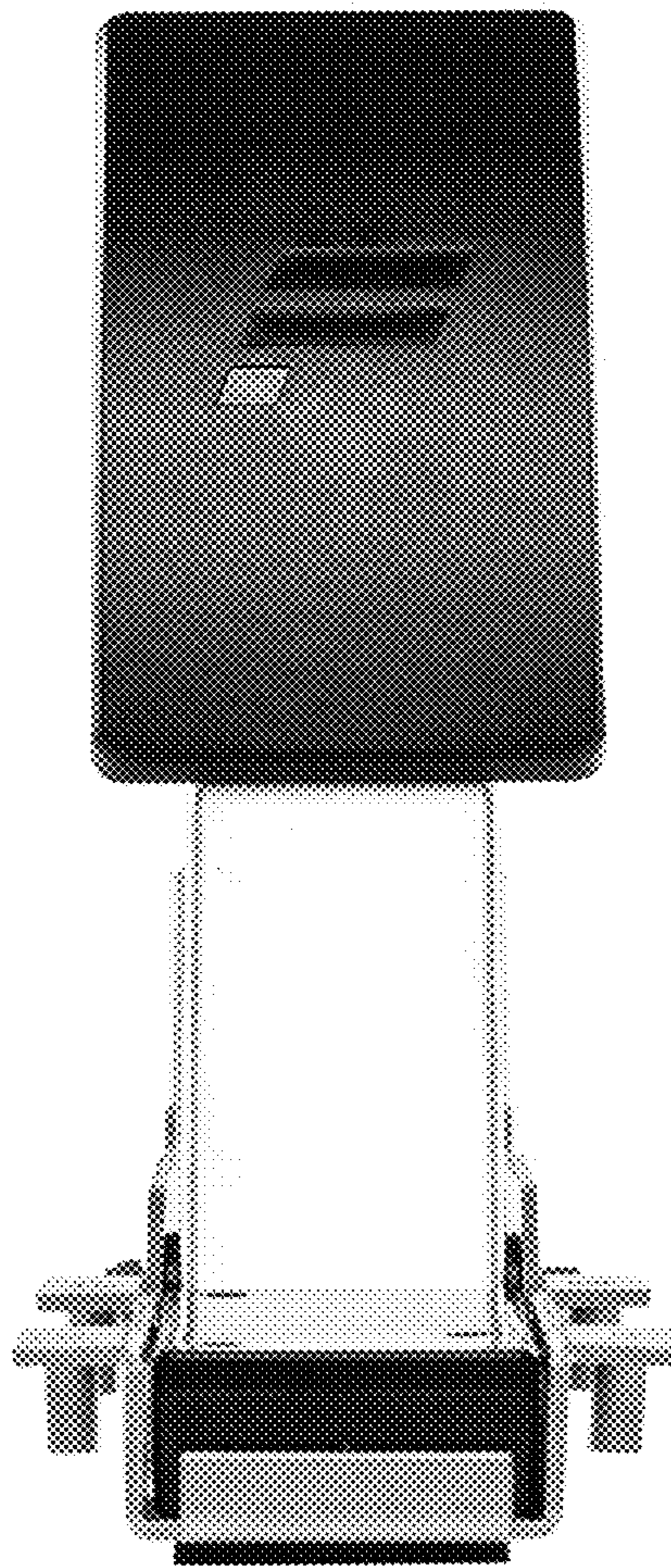
D773,567	S *	12/2016	Chuang .....	D21/668
D848,380	S *	5/2019	Yasutomi .....	D13/167
D852,562	S *	7/2019	Jui .....	D6/716
10,369,906	B2 *	8/2019	Gay .....	B60N 2/2812
D863,232	S *	10/2019	Oberlaender .....	D13/167
D868,007	S *	11/2019	Felsch v. Wild .....	D13/167
D875,194	S *	2/2020	Zhou .....	D21/688
D884,076	S *	5/2020	Quinn .....	D21/326
D886,919	S *	6/2020	Gagnon .....	D21/686
D887,504	S *	6/2020	Mathew .....	D21/685
D898,932	S *	10/2020	Chen .....	D24/212
D910,758	S *	2/2021	Leong .....	D21/326
D912,733	S *	3/2021	Ghahramanian .....	D21/333
D930,081	S *	9/2021	Ghahramanian .....	D21/326
D930,748	S *	9/2021	Ghahramanian .....	D21/326
D931,373	S *	9/2021	Ghahramanian .....	D21/326
D932,549	S *	10/2021	Smit .....	D21/326
D936,744	S *	11/2021	Singanallur Murali .....	D21/333
D942,560	S *	2/2022	Chen .....	D21/686
D949,255	S *	4/2022	Hsieh .....	D21/670
D958,268	S *	7/2022	Zhu .....	D21/686
D966,419	S *	10/2022	Wei .....	D21/333
D967,272	S *	10/2022	Jackermeier .....	D21/333
2003/0216224	A1 *	11/2003	Chuang .....	A63B 22/0056 482/53
2007/0270284	A1 *	11/2007	Lin .....	A63B 23/0429 482/52

OTHER PUBLICATIONS

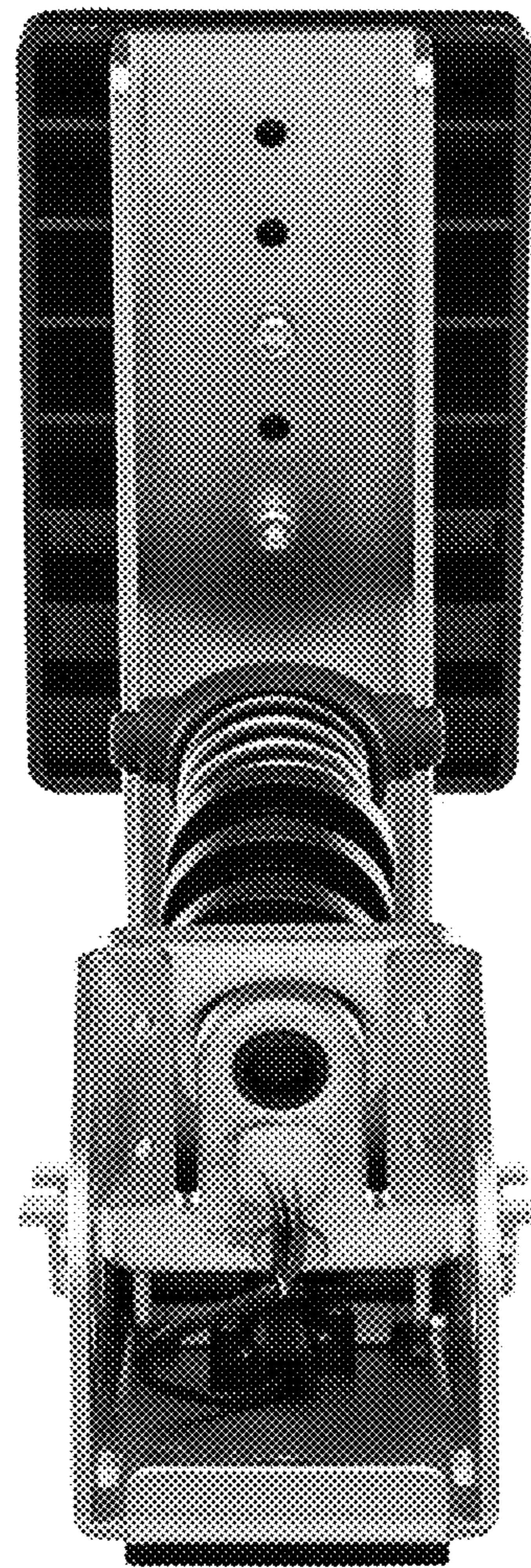
“CSL Pedals Load Cell Kit” posted 2022[Online], [retrieved Oct. 19, 2022]. Retrieved from Internet: <https://fanatec.com/au-en/cat/index/sCategory/80>.\*

\* cited by examiner

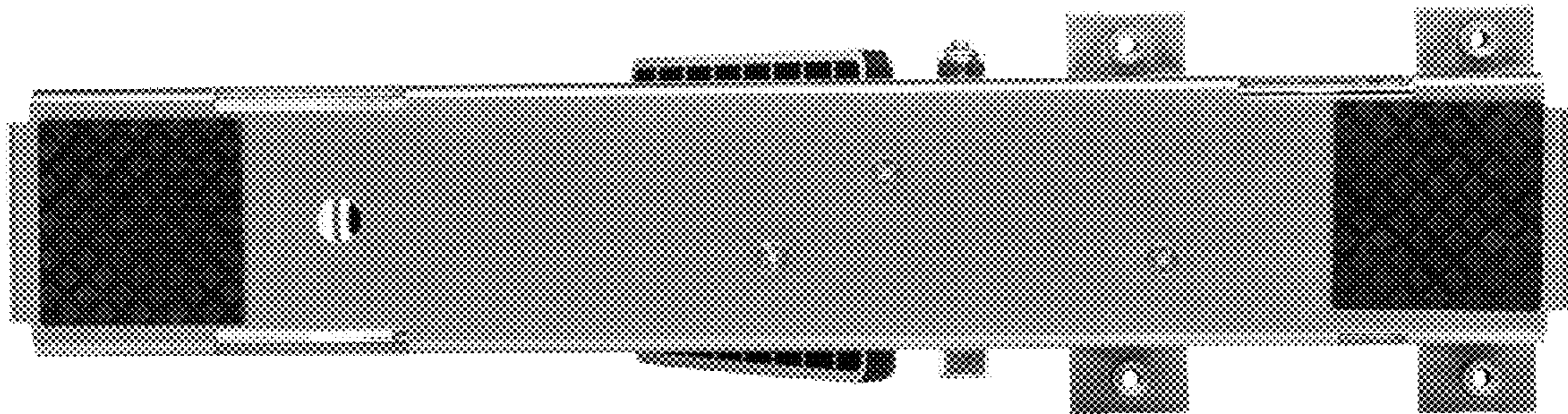
1.1



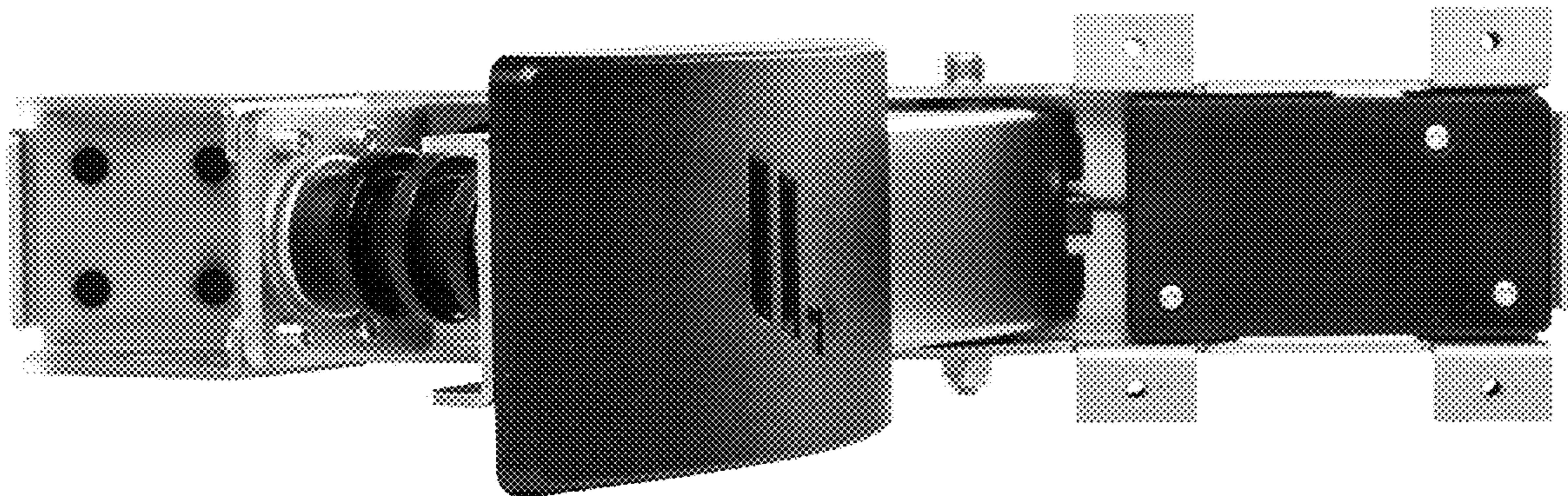
1.2



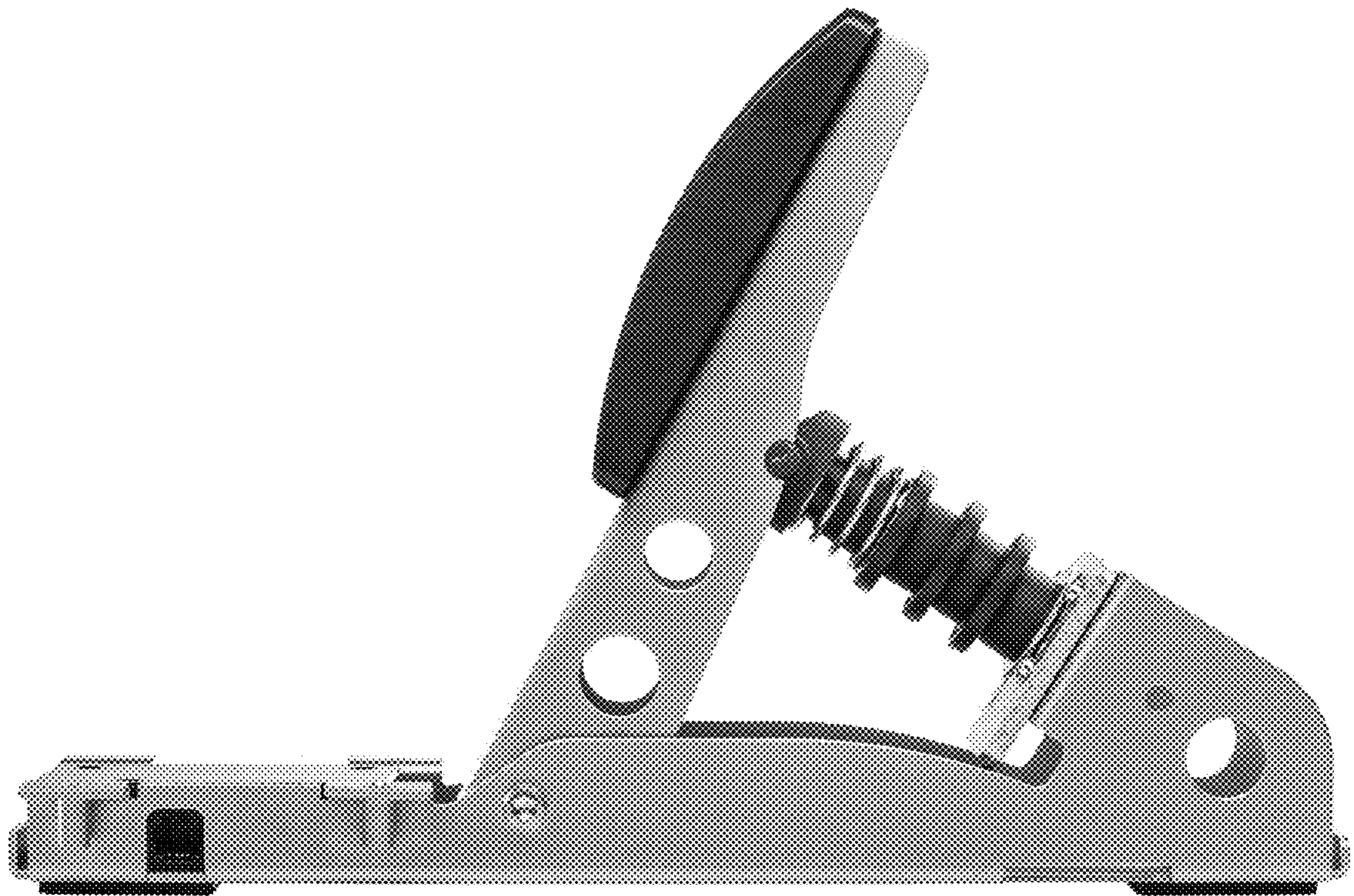
1.3



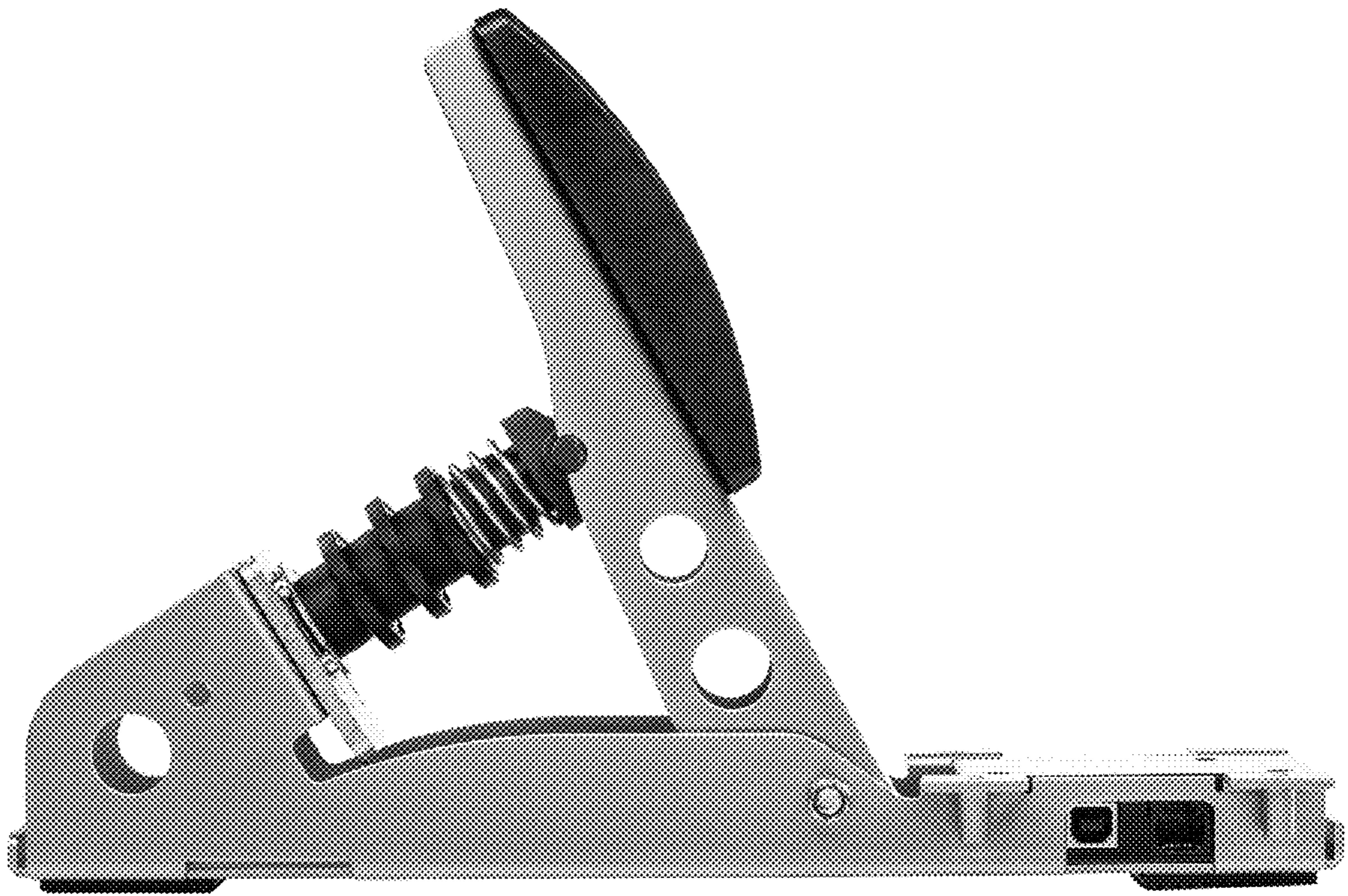
1.4



1.5



1.6





1.7

