



US00D980910S

(12) **United States Design Patent** (10) **Patent No.:** **US D980,910 S**  
**You et al.** (45) **Date of Patent:** **\*\* Mar. 14, 2023**

(54) **DIGITAL SIGNAGE**

CPC ..... G09F 7/00; G09F 9/00; G09F 9/33; G09F 9/35; G09F 13/00; G09F 13/04  
See application file for complete search history.

(71) Applicant: **LG ELECTRONICS INC.**, Seoul (KR)

(56) **References Cited**

(72) Inventors: **Hyunhee You**, Seoul (KR); **Jaewon Lim**, Seoul (KR); **Seungdon Lee**, Seoul (KR)

U.S. PATENT DOCUMENTS

(73) Assignee: **LG ELECTRONICS INC.**, Seoul (KR)

D350,566	S	*	9/1994	Pearson	.....	D20/40
D832,839	S	*	11/2018	Su	.....	D14/374
D833,433	S	*	11/2018	Catania	.....	D14/374
D834,575	S	*	11/2018	Su	.....	D14/374
D886,902	S	*	6/2020	Lee	.....	D20/39
D943,673	S	*	2/2022	You	.....	D20/39

(\*\*) Term: **15 Years**

\* cited by examiner

(21) Appl. No.: **35/512,721**

*Primary Examiner* — Mary Ann Calabrese

(22) Filed: **Apr. 15, 2021**

(74) *Attorney, Agent, or Firm* — Birch, Stewart, Kolasch & Birch, LLP

(80) **Hague Agreement Data**

Int. Filing Date: **Apr. 15, 2021**

Int. Reg. No.: **DM/213854**

Int. Reg. Date: **Apr. 15, 2021**

Int. Reg. Pub. Date: **Oct. 15, 2021**

(57) **CLAIM**

The ornamental design for a digital signage, as shown and described.

(30) **Foreign Application Priority Data**

Apr. 13, 2021 (KR) ..... 30-2021-0017745

(51) **LOC (14) Cl.** ..... **20-03**

(52) **U.S. Cl.**  
USPC ..... **D20/39**

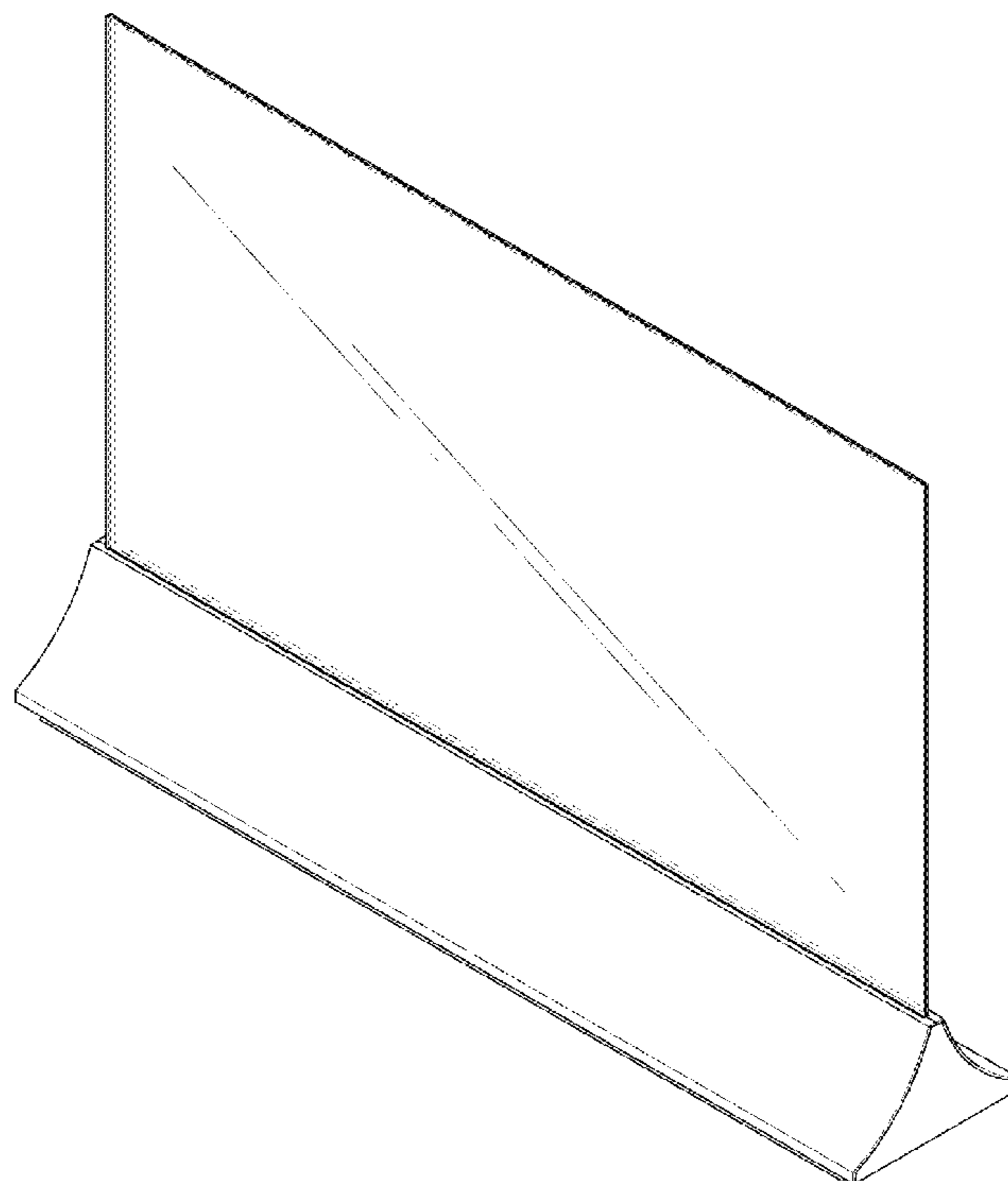
(58) **Field of Classification Search**  
USPC ..... D20/10, 15, 19, 39, 42, 99; D10/109, D10/113.4; D14/126, 371, 374

**DESCRIPTION**

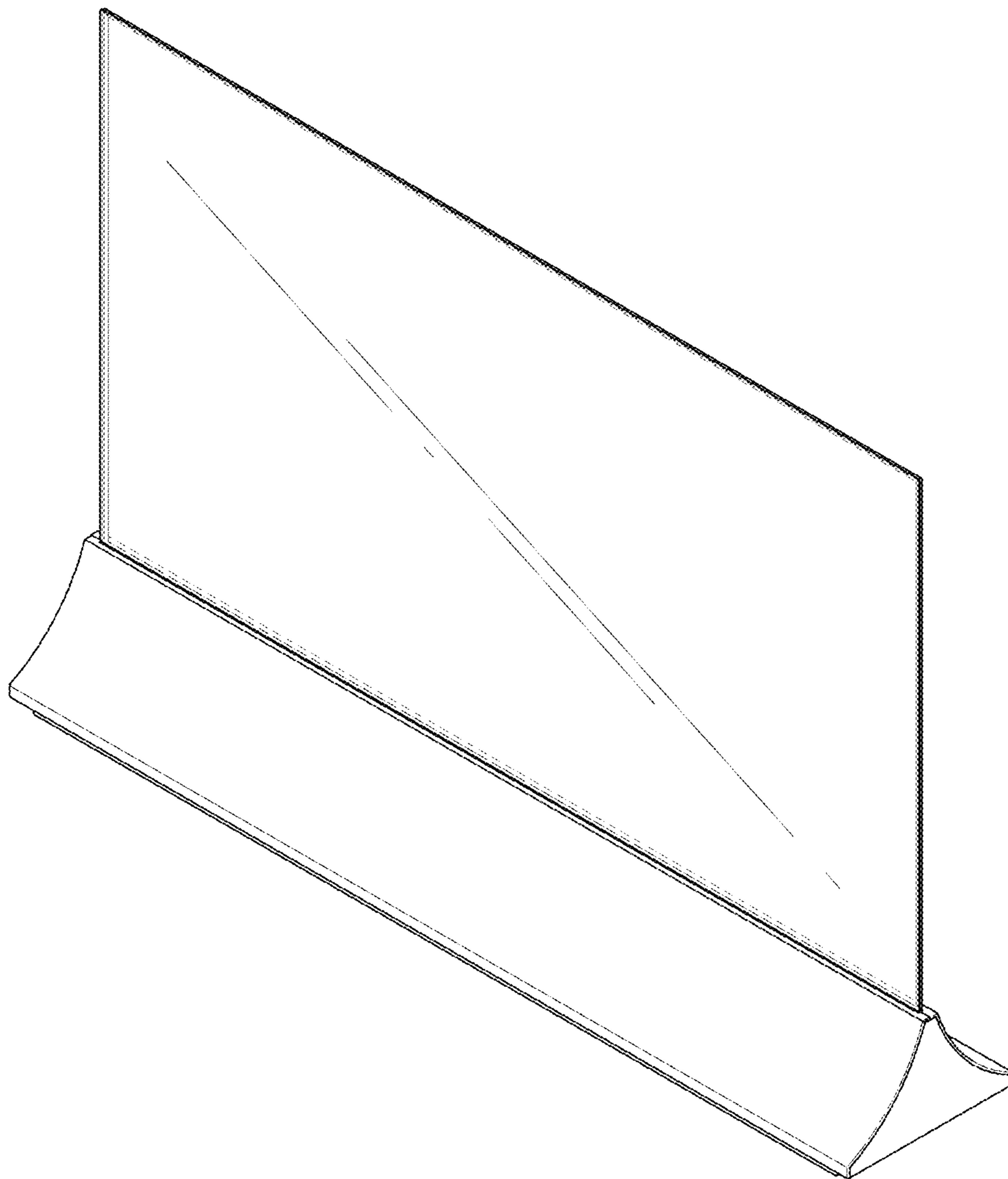
- 1. Digital signage
- 1.1 : Perspective
- 1.2 : Front
- 1.3 : Back
- 1.4 : Left
- 1.5 : Right
- 1.6 : Top
- 1.7 : Bottom

The broken lines show portions of the article that form no part of the claimed design.

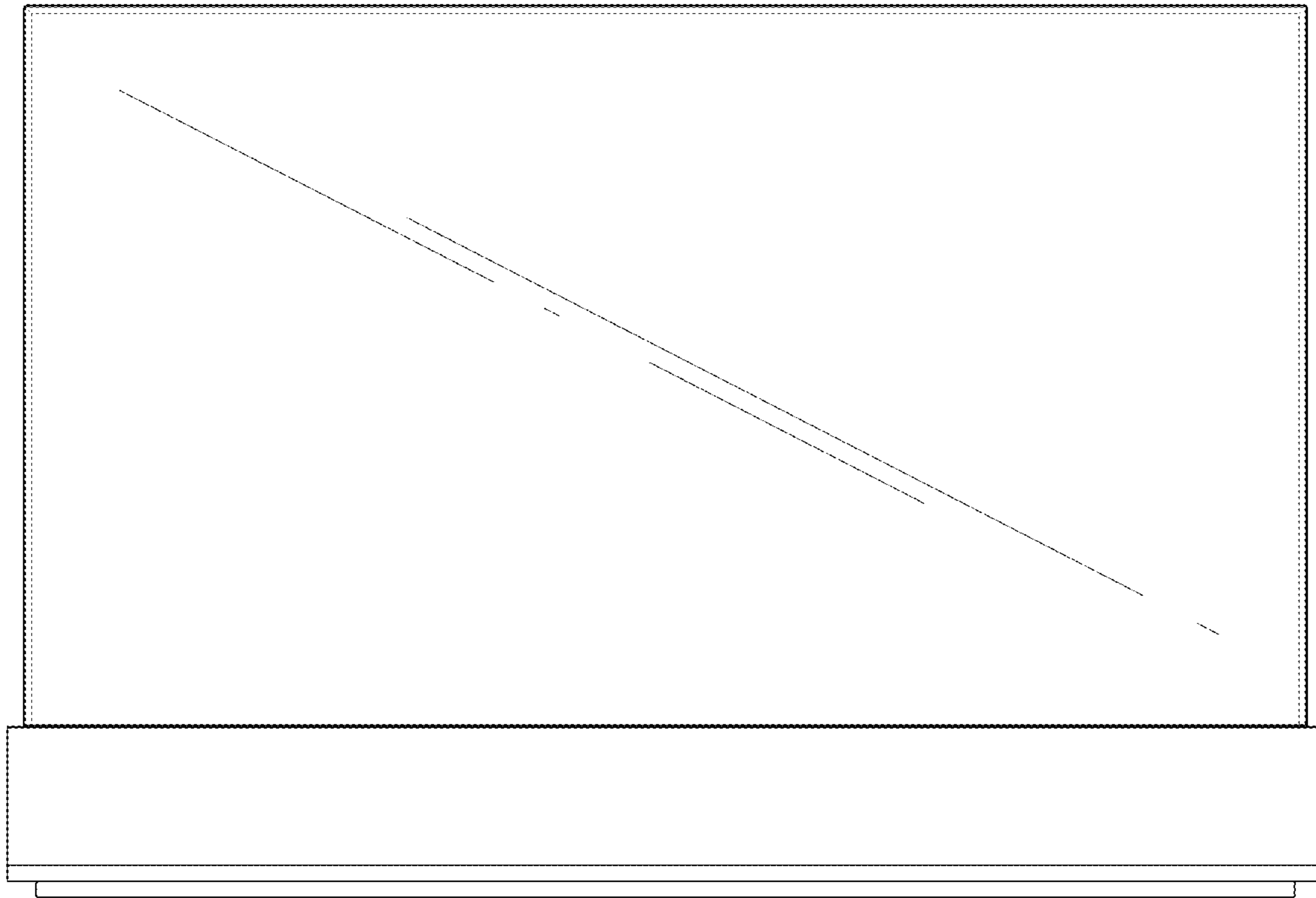
**1 Claim, 7 Drawing Sheets**



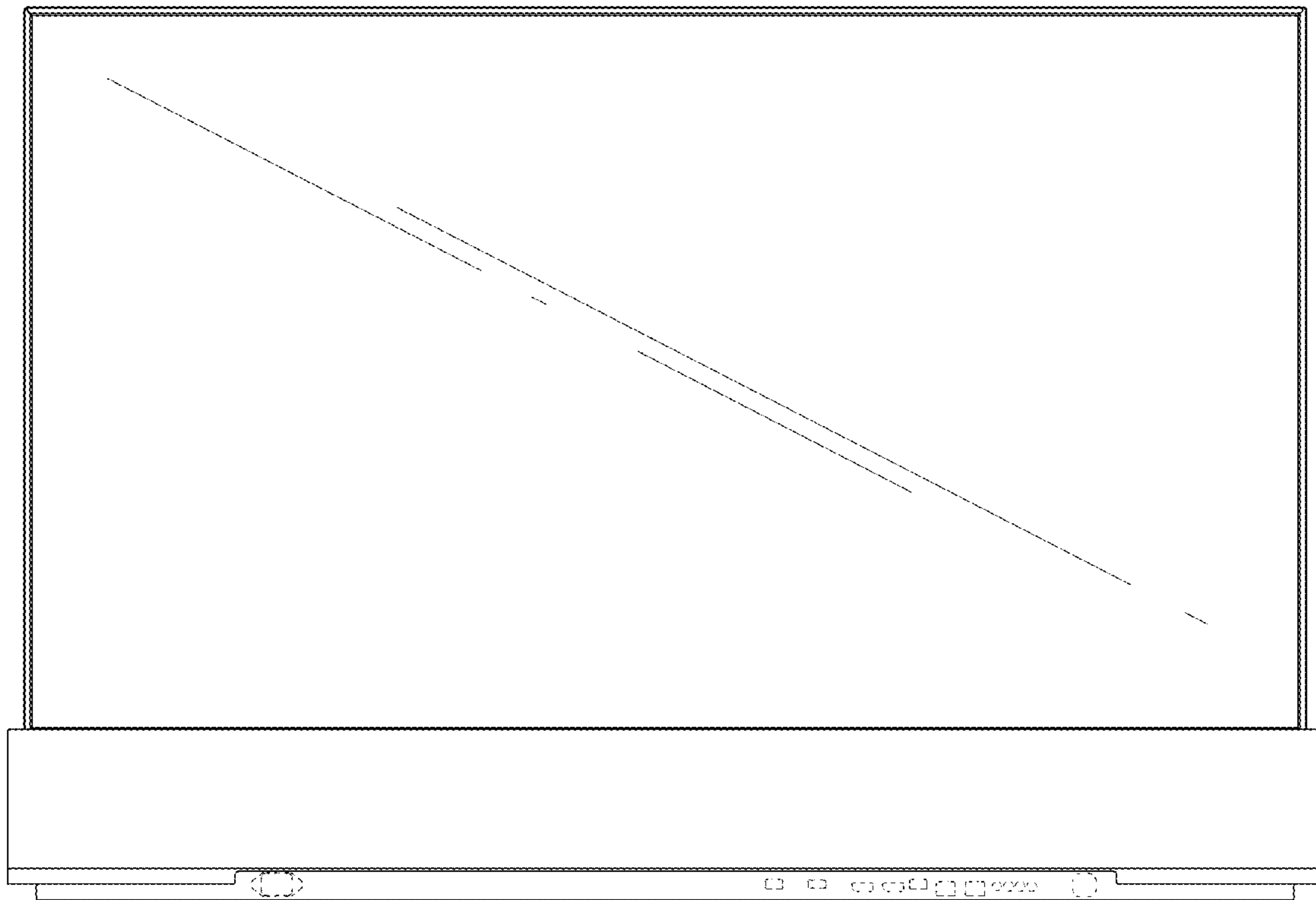
1.1



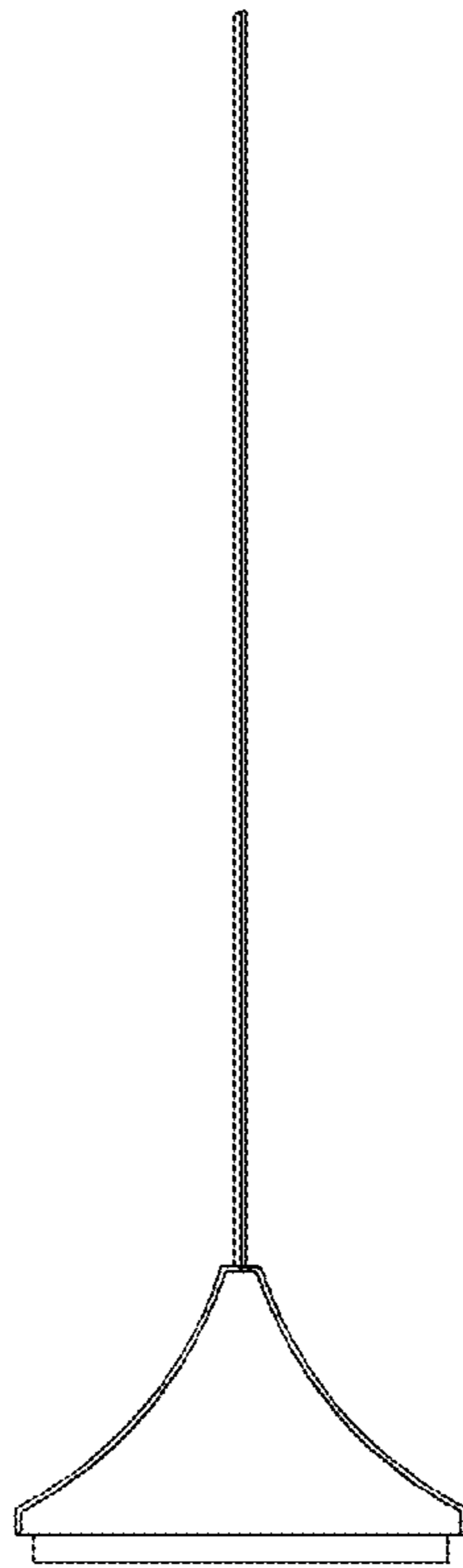
1.2



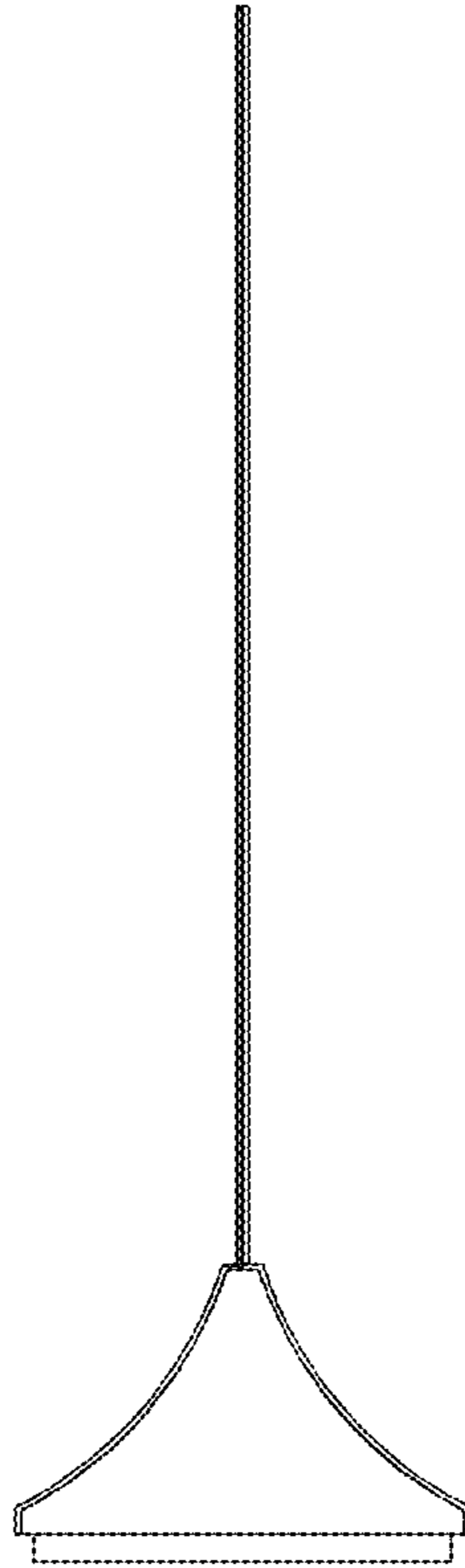
1.3



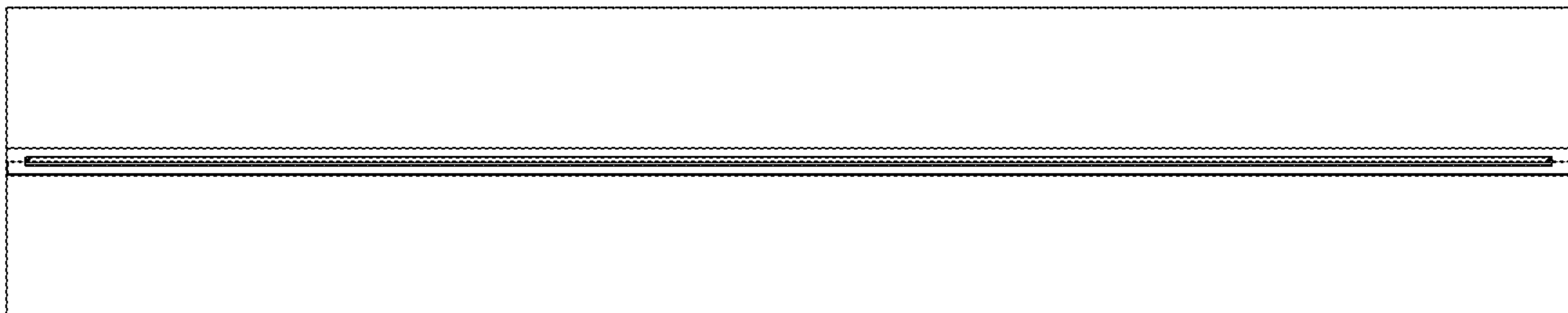
1.4



1.5



1.6



1.7

