



US00D980908S

(12) **United States Design Patent**  
**Hunt**

(10) **Patent No.:** **US D980,908 S**

(45) **Date of Patent:** **\*\* Mar. 14, 2023**

- (54) **ORGANIZER**
- (71) Applicant: **Spectrum Diversified Designs, LLC**,  
Streetsboro, OH (US)
- (72) Inventor: **Bridget Hunt**, Cleveland, OH (US)
- (73) Assignee: **Spectrum Diversified Designs, LLC**,  
Glenwillow, OH (US)
- (\*\*) Term: **15 Years**
- (21) Appl. No.: **29/799,366**
- (22) Filed: **Jul. 14, 2021**
- (51) **LOC (14) Cl.** ..... **19-02**
- (52) **U.S. Cl.**  
USPC ..... **D19/90**
- (58) **Field of Classification Search**  
USPC ..... D19/92, 75-91, 99, 135; D3/206, 304,  
D3/306, 310, 315; D6/675.5, 683, 683.1;  
D7/631, 637-641; D9/427, 432, 611;  
D14/253  
CPC .. B43M 99/00; B43M 99/001; B43M 99/003;  
B43M 99/006; B43M 99/007; B43M  
99/008; B43M 99/009; B42D 3/12; B42D  
3/16; B42D 3/18; B43K 23/001; B43K  
23/002; A47B 55/00; A47B 63/00  
See application file for complete search history.

- 4,588,074 A \* 5/1986 Strong ..... A47B 23/042  
248/458
- D458,640 S \* 6/2002 Hofman ..... D19/75
- D475,411 S \* 6/2003 Hardy ..... D19/90
- D481,761 S \* 11/2003 Walsh ..... D19/75
- D484,666 S \* 12/2003 Caya ..... D34/27
- D488,660 S \* 4/2004 Post ..... D6/566
- D494,760 S \* 8/2004 Yuan ..... D3/313

**OTHER PUBLICATIONS**

Dots Wall File Holder posted by Wallniture posted date Feb. 3, 2017, © Amazon, [online], [site visited Jul. 22, 2022]. Available from Internet, <https://www.amazon.com/Wallniture-Lisbon-Hanging-Metal-Holder/> (Year: 2017).\*

\* cited by examiner

*Primary Examiner* — Garth Rademaker

*Assistant Examiner* — Laura H Yu

(74) *Attorney, Agent, or Firm* — Tucker Ellis LLP

(57) **CLAIM**

The ornamental design for an organizer, as shown and described.

**DESCRIPTION**

FIG. 1 is a perspective view of an organizer showing my new design.

FIG. 2 is a front view thereof.

FIG. 3 is a rear view thereof.

FIG. 4 is a left side view thereof.

FIG. 5 is a right side view thereof.

FIG. 6 is a top view thereof; and,

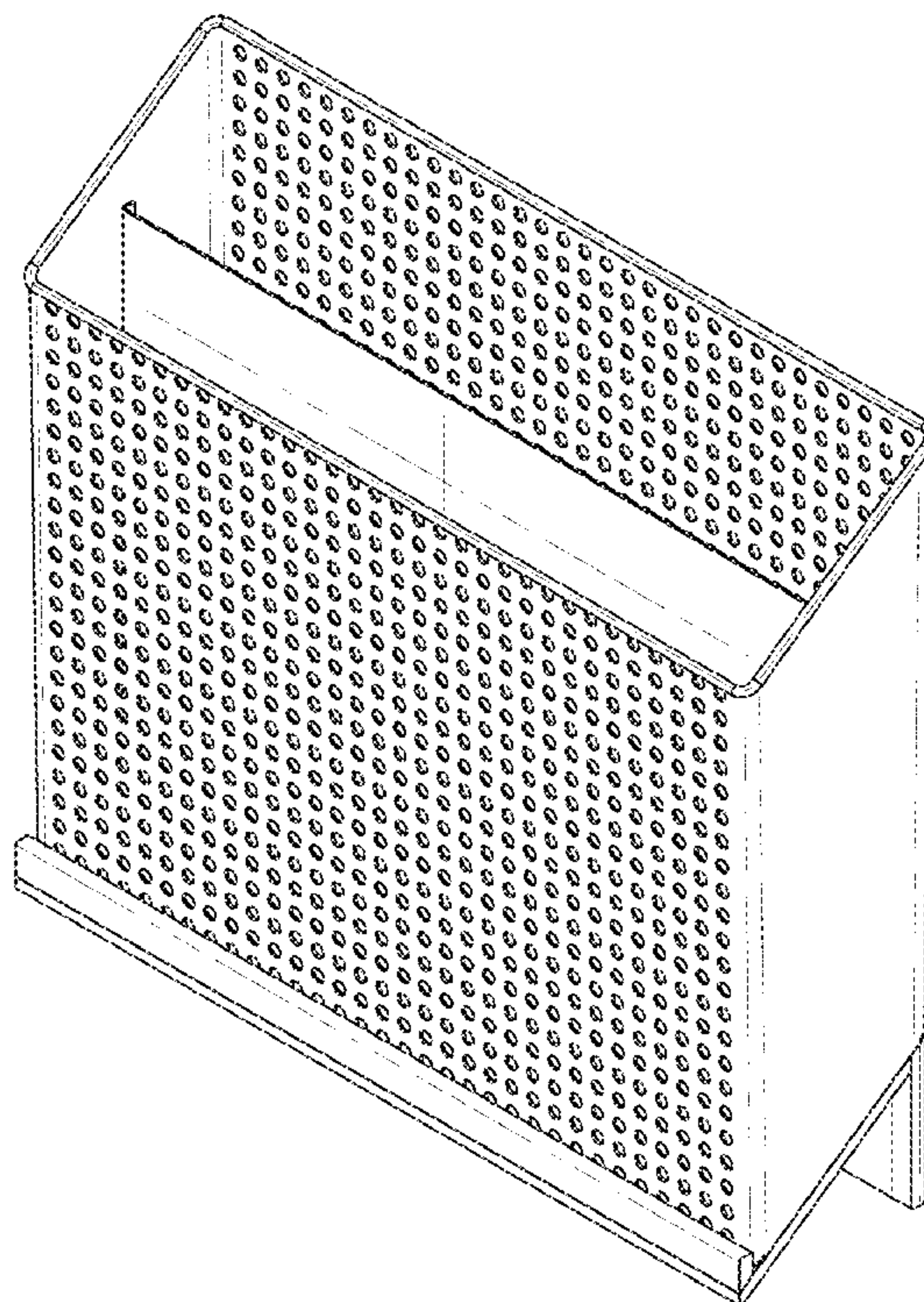
FIG. 7 is a bottom view thereof.

(56) **References Cited**

**U.S. PATENT DOCUMENTS**

- D83,127 S \* 1/1931 Degennaro ..... D6/700
- D226,892 S \* 5/1973 Roby ..... D6/675.1

**1 Claim, 5 Drawing Sheets**



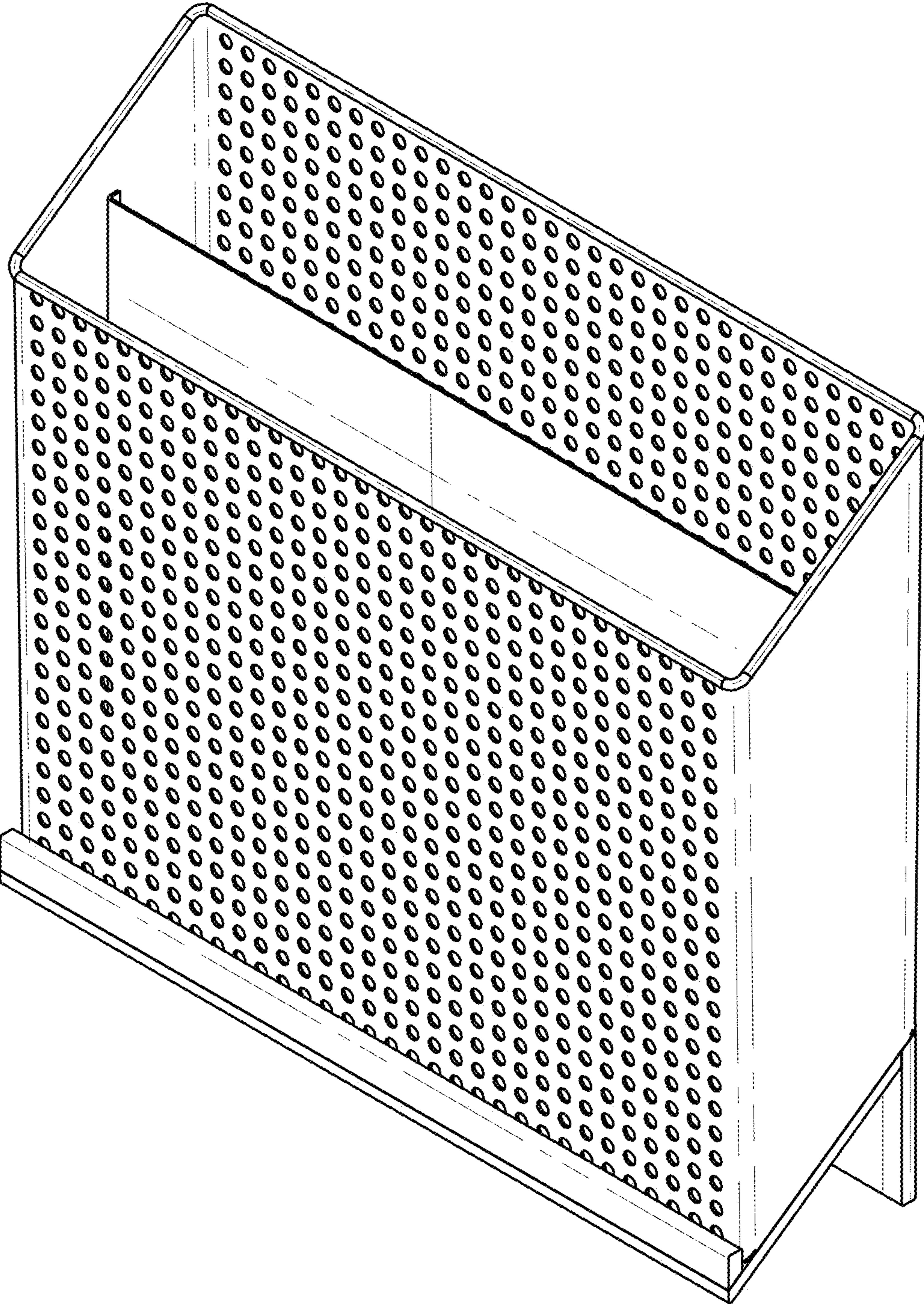


FIG. 1



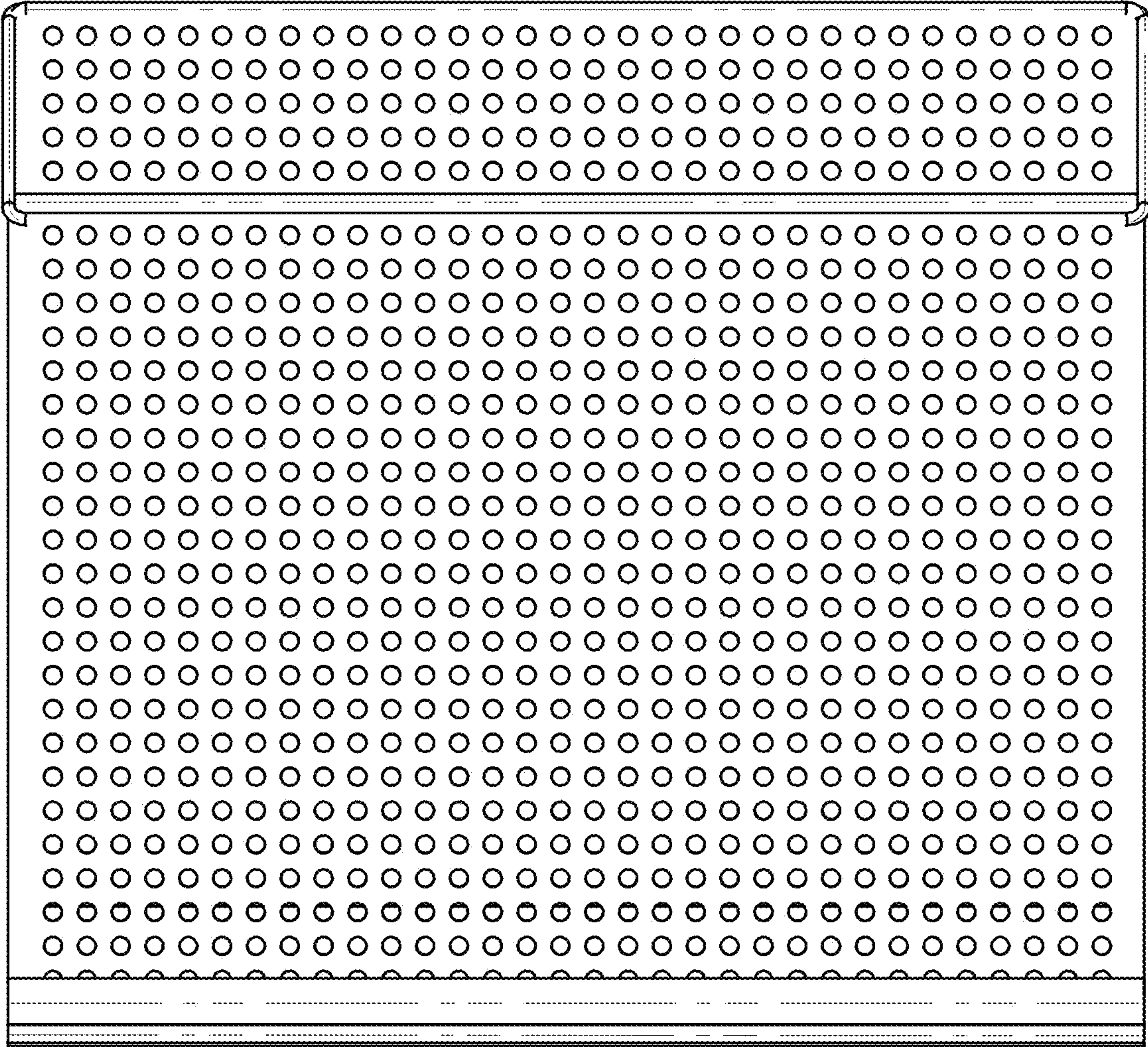


FIG. 2

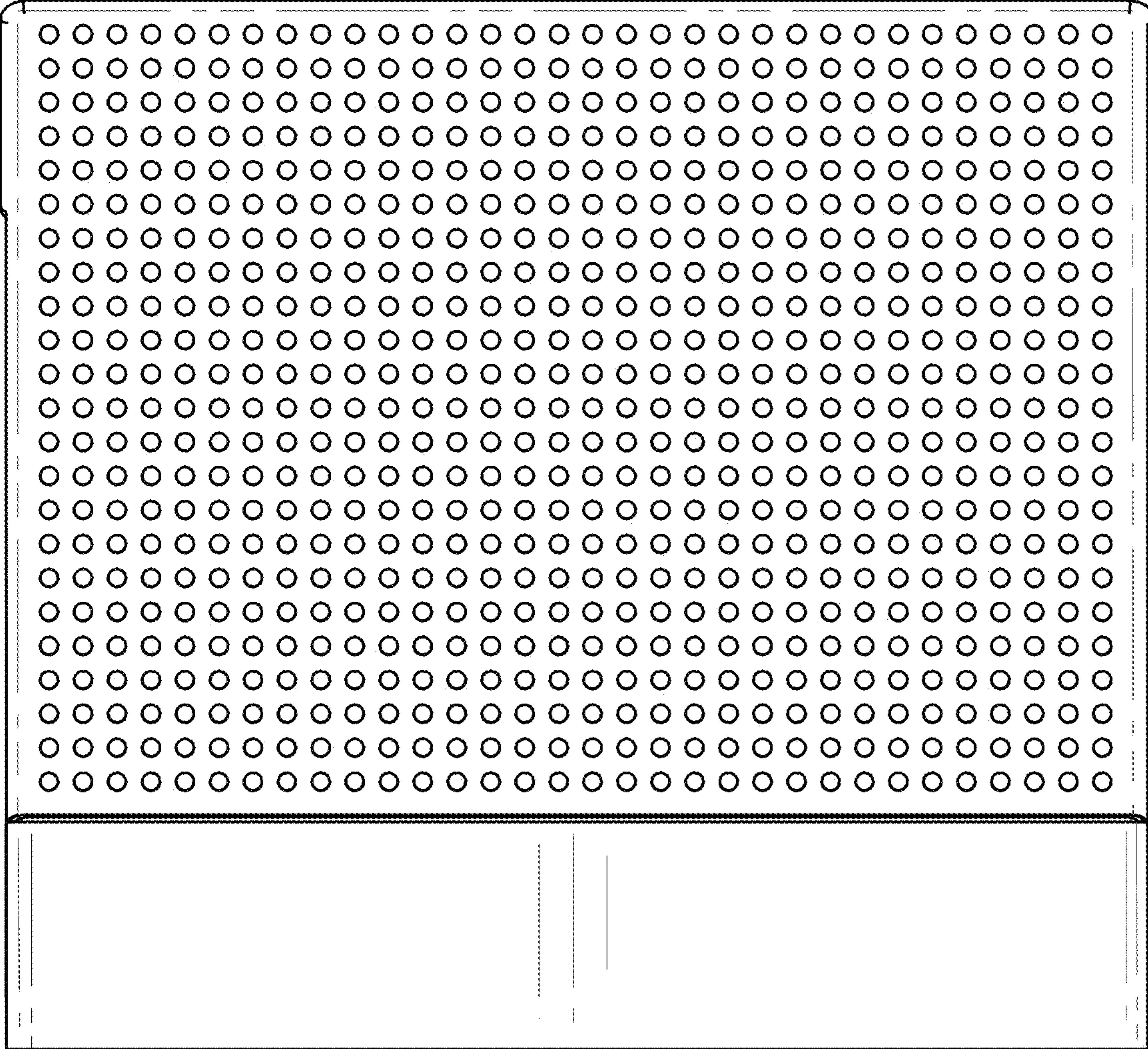


FIG. 3

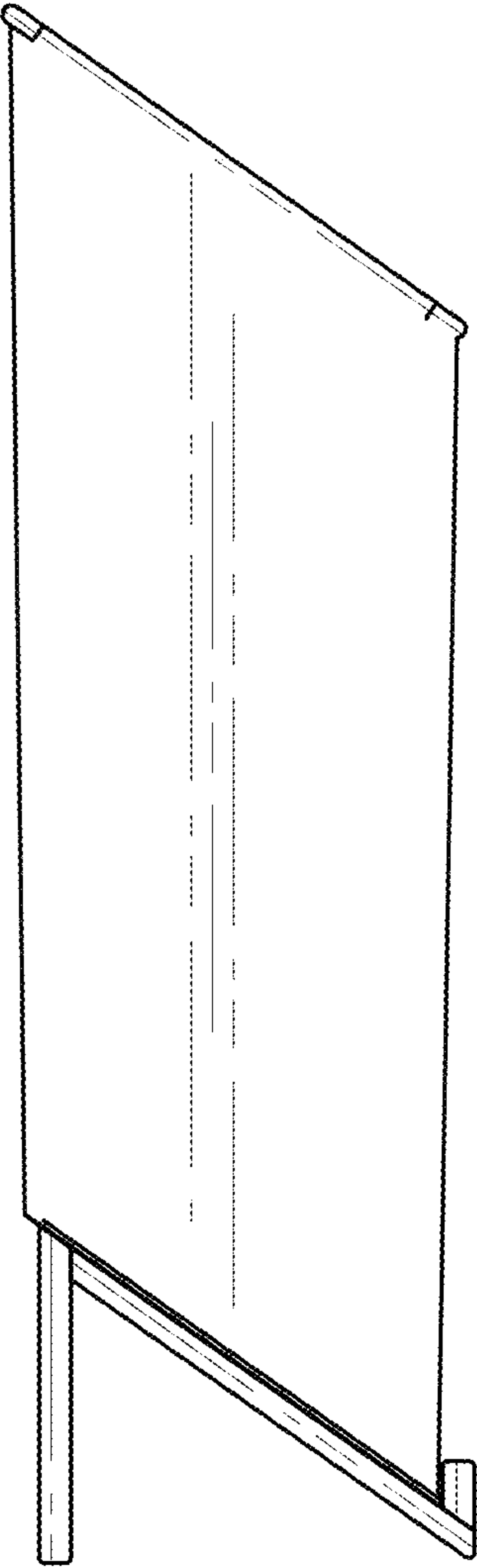


FIG. 4

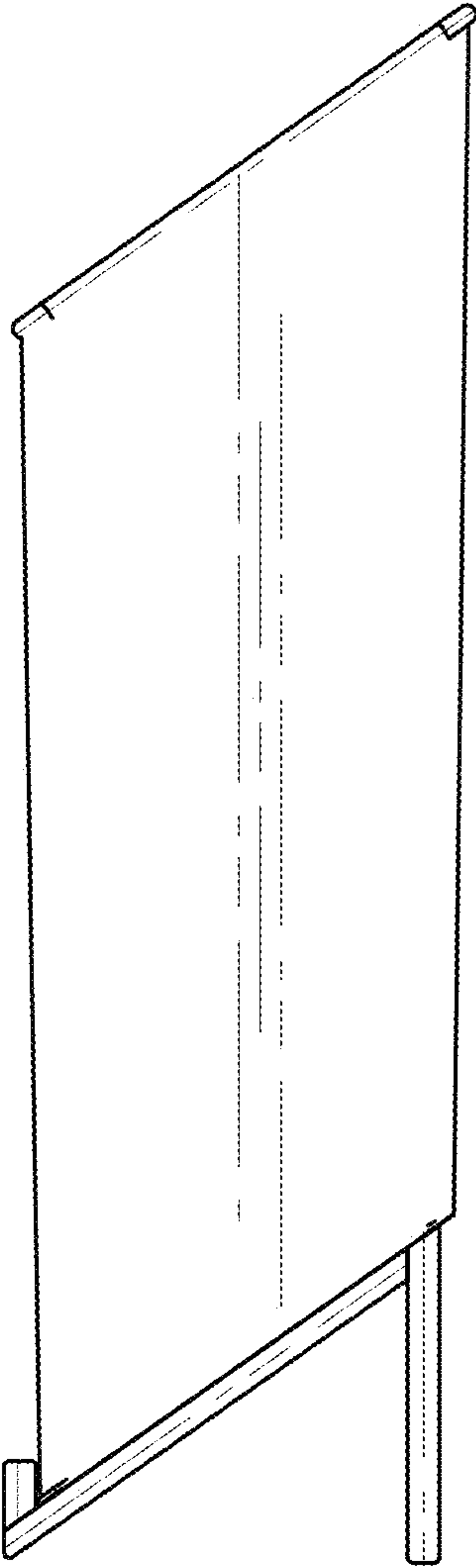


FIG. 5

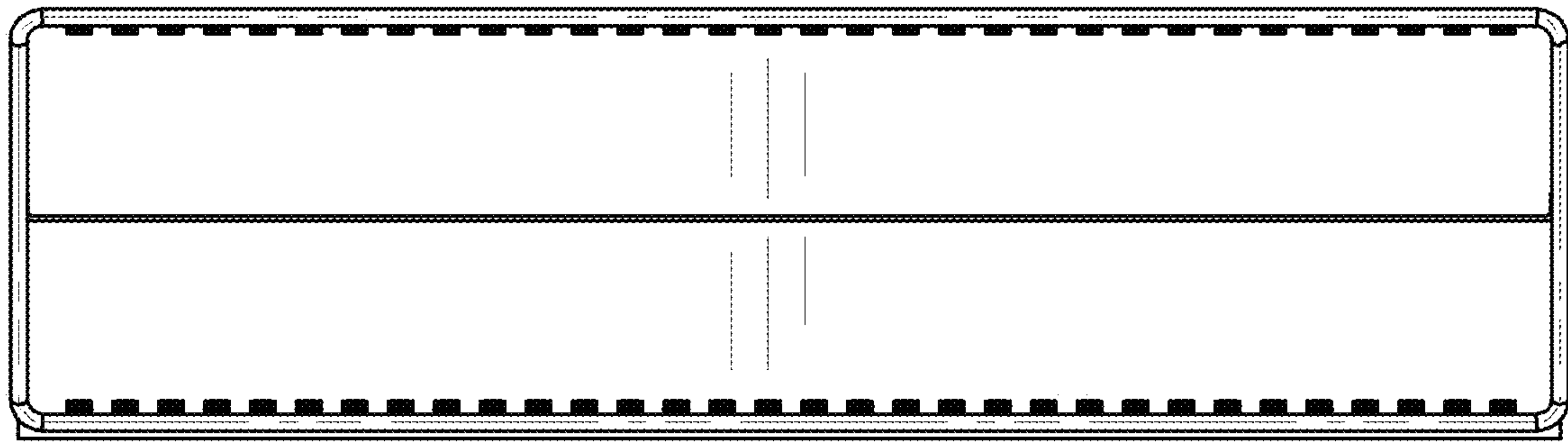


FIG. 6

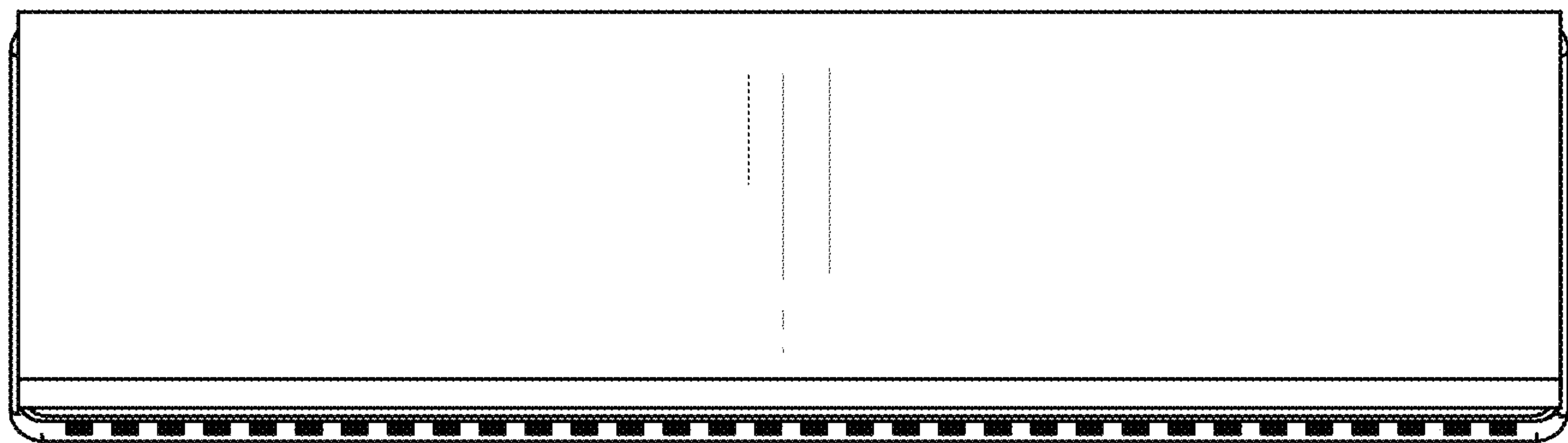


FIG. 7