



US00D980907S

(12) **United States Design Patent**
Huang et al.

(10) **Patent No.:** **US D980,907 S**
(45) **Date of Patent:** **** Mar. 14, 2023**

(54) **CLIPBOARD**

(71) Applicant: **Shan Huang**

(72) Inventors: **Shan Huang**, Putian (CN); **Guorong Xu**, Nanping (CN)

(73) Assignee: **Shan Huang**, Putian (CN)

(**) Term: **15 Years**

(21) Appl. No.: **29/848,210**

(22) Filed: **Jul. 31, 2022**

(30) **Foreign Application Priority Data**

Jul. 5, 2022 (CN) 202230419712.2

(51) **LOC (14) Cl.** **19-02**

(52) **U.S. Cl.**
USPC **D19/88**

(58) **Field of Classification Search**
USPC ... D19/113, 114, 81, 26–33, 85–92, 99, 135
CPC B43L 1/00; B43L 1/008; B43L 1/08; B43L 1/04; B43L 5/00; B43L 5/02; B43L 5/002; B43L 5/005; B43L 5/007; B42F 9/002; B42F 9/004; B42F 9/005; B42F 9/007; B42F 9/008; G09F 15/00; G09F 15/0006; G09F 15/0012; G09F 1/12; G09F 7/00; B44D 3/18; B44D 3/185

See application file for complete search history.

(56) **References Cited**

U.S. PATENT DOCUMENTS

- 3,791,314 A * 2/1974 Berretta A47B 23/002 108/43
- 4,555,128 A * 11/1985 White B42D 9/00 281/31
- D492,358 S * 6/2004 Chen D19/78
- D510,389 S * 10/2005 Shamoon D19/78
- D599,856 S * 9/2009 Chen D19/88

- D611,543 S * 3/2010 Chen D19/88
- D692,949 S * 11/2013 Shamoon D19/88
- D753,765 S * 4/2016 Chuang D19/88
- D793,477 S 8/2017 Morel
- D896,308 S * 9/2020 Shamoon D19/88
- D968,512 S * 11/2022 Rodgers D19/88

(Continued)

FOREIGN PATENT DOCUMENTS

- CN 301062335 * 11/2009
- CN 301872753 * 3/2012

(Continued)

OTHER PUBLICATIONS

Amazon. Link: <https://www.amazon.com/Nursing-Clipboard-Foldable-Aluminum-Medical/dp/B0BQ6X86C4/?th=1>. Dec. 15, 2022. B0BQ6X86C4 Nursing Clipboard Foldable (Year: 2022).*

(Continued)

Primary Examiner — Lauren D McVey
(74) *Attorney, Agent, or Firm* — Nitin Kaushik

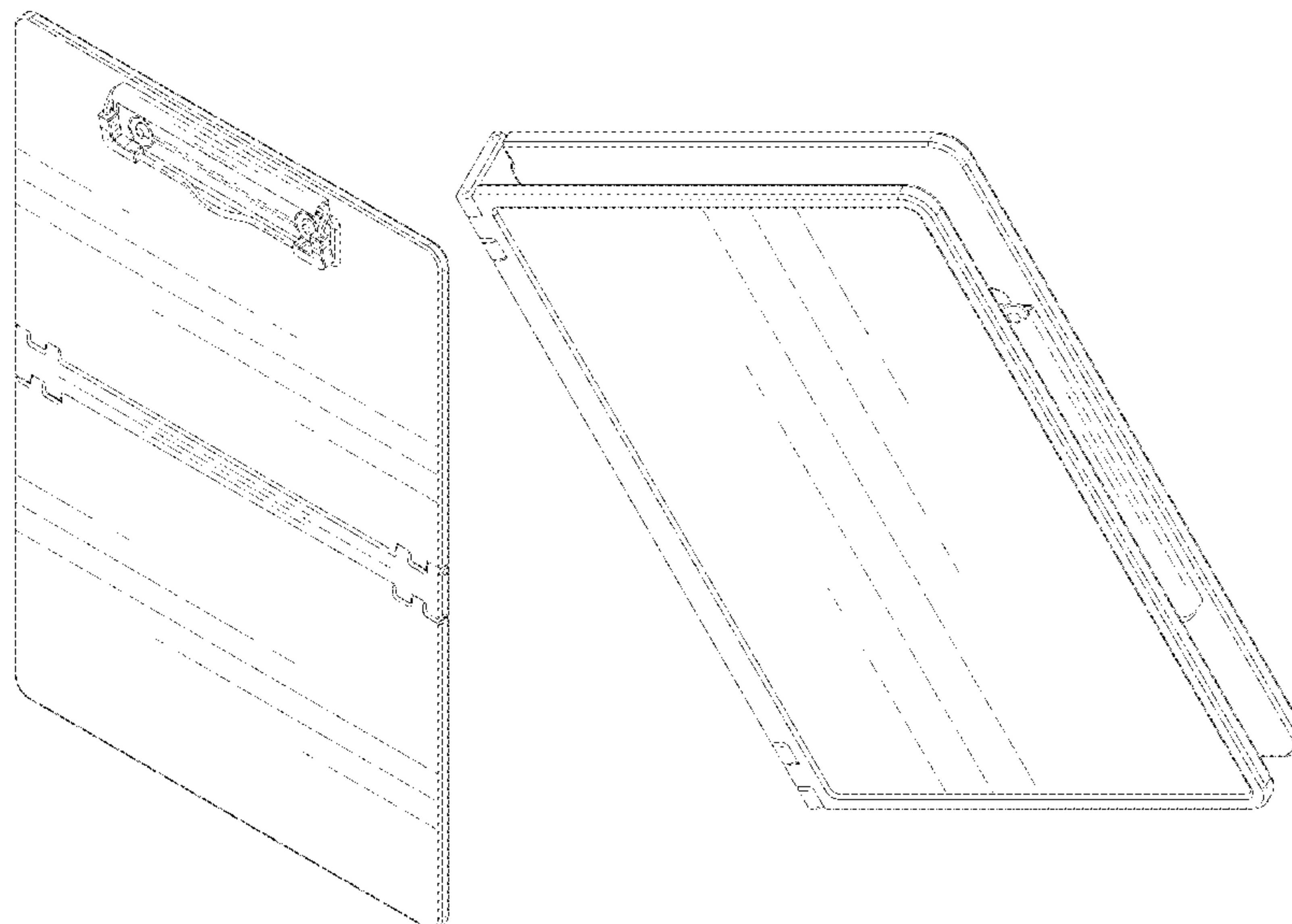
(57) **CLAIM**

The ornamental design for a clipboard, as shown and described.

DESCRIPTION

FIG. 1 is a front perspective view of a clipboard, showing our new design;
FIG. 2 is a collapsed state view thereof;
FIG. 3 is a front view thereof;
FIG. 4 is a rear view thereof;
FIG. 5 is a left side view thereof;
FIG. 6 is a right side view thereof;
FIG. 7 is a top view thereof; and,
FIG. 8 is a bottom view thereof.
The broken lines in the drawings illustrate the portions of the clipboard, which form no part of the claimed design.

1 Claim, 8 Drawing Sheets



(56)

References Cited

U.S. PATENT DOCUMENTS

11,485,164 B1 * 11/2022 Khaliq B42F 9/001
2003/0234599 A1 * 12/2003 Dunn B42F 9/001
312/100
2010/0084848 A1 * 4/2010 Nguyen B42F 9/001
24/67 R

FOREIGN PATENT DOCUMENTS

GB 2537862 A * 11/2016 B42F 9/002
JP D1304885 * 7/2007

OTHER PUBLICATIONS

Amazon. Link: <https://www.amazon.com/Clipboard-Classic-Clipboards-Document-Stationery/dp/B09291DG69/>. May 16, 2021. Blue Clipboard, Classic Clipboards Letter Size Plastic Clip Board A4. (Year: 2021).*

Amazon. Link: <https://www.amazon.com/dp/B0BJDTRTWN/>. Oct. 17, 2022. Yeahviy Clipboard with Storage (Year: 2022).*

Amazon. Link: <https://www.amazon.com/dp/B07H57SJ28/>. Nov. 7, 2018. Sunnyclick Aluminum Clipboard with Storage (Year: 2018).*

* cited by examiner

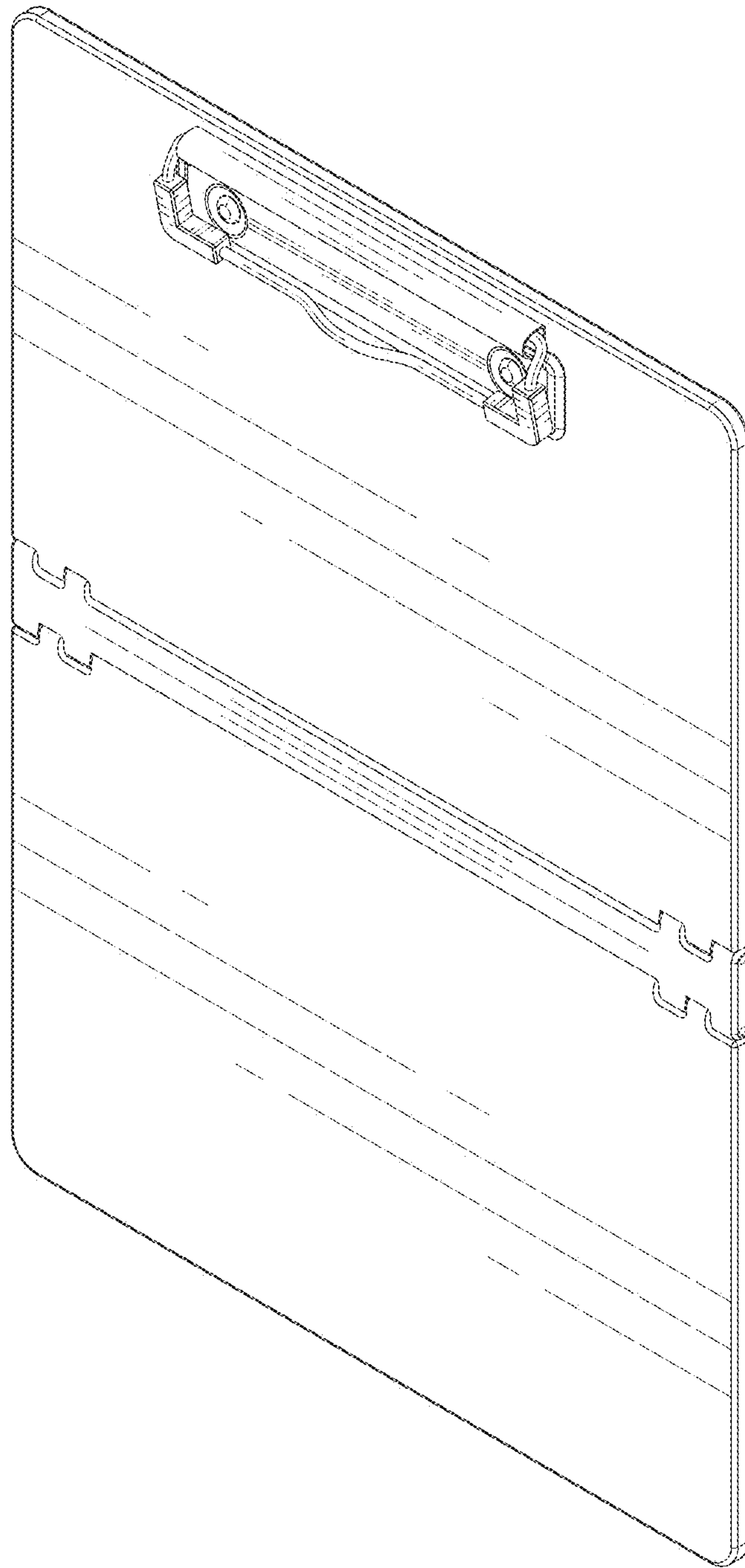


FIG. 1

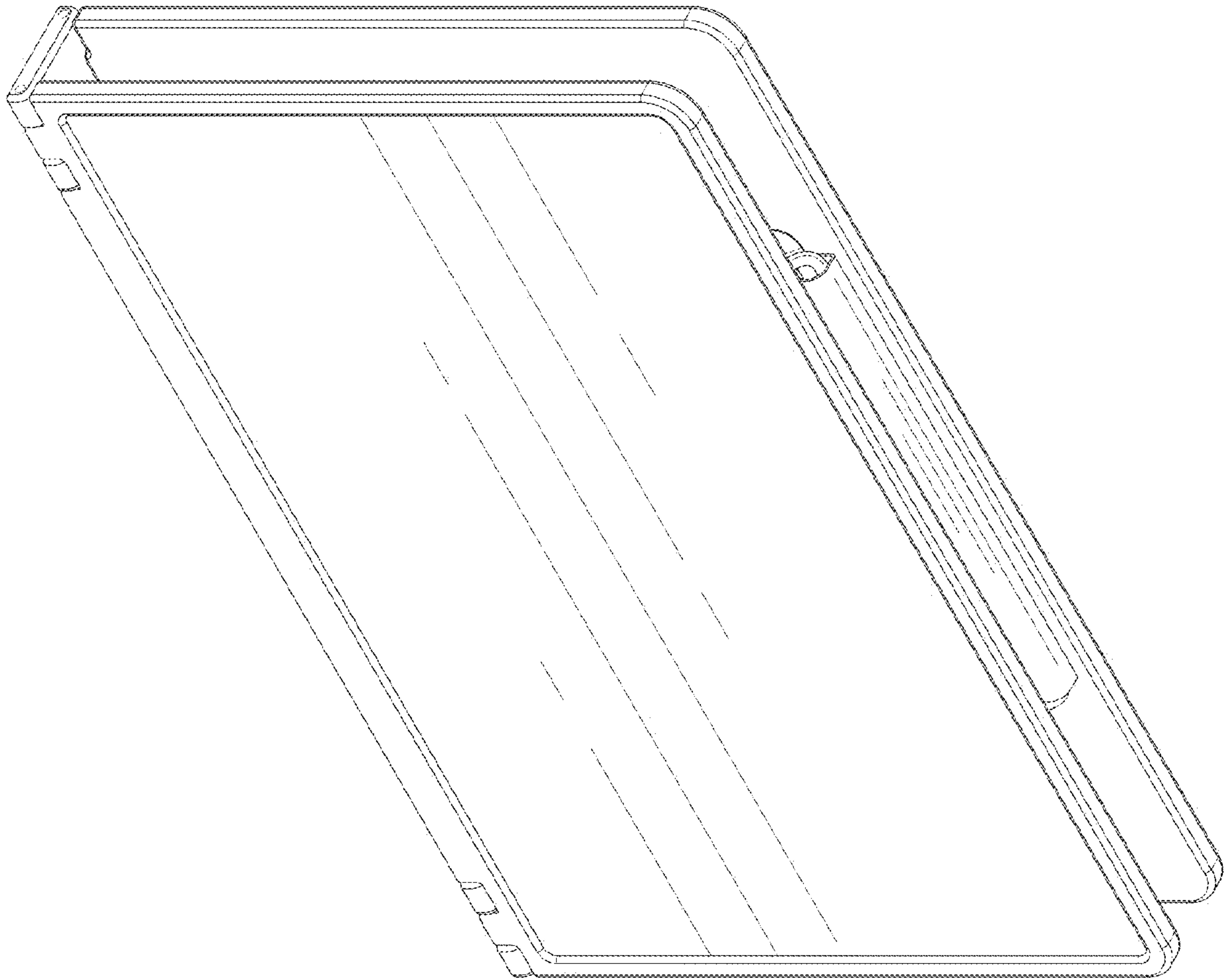


FIG. 2

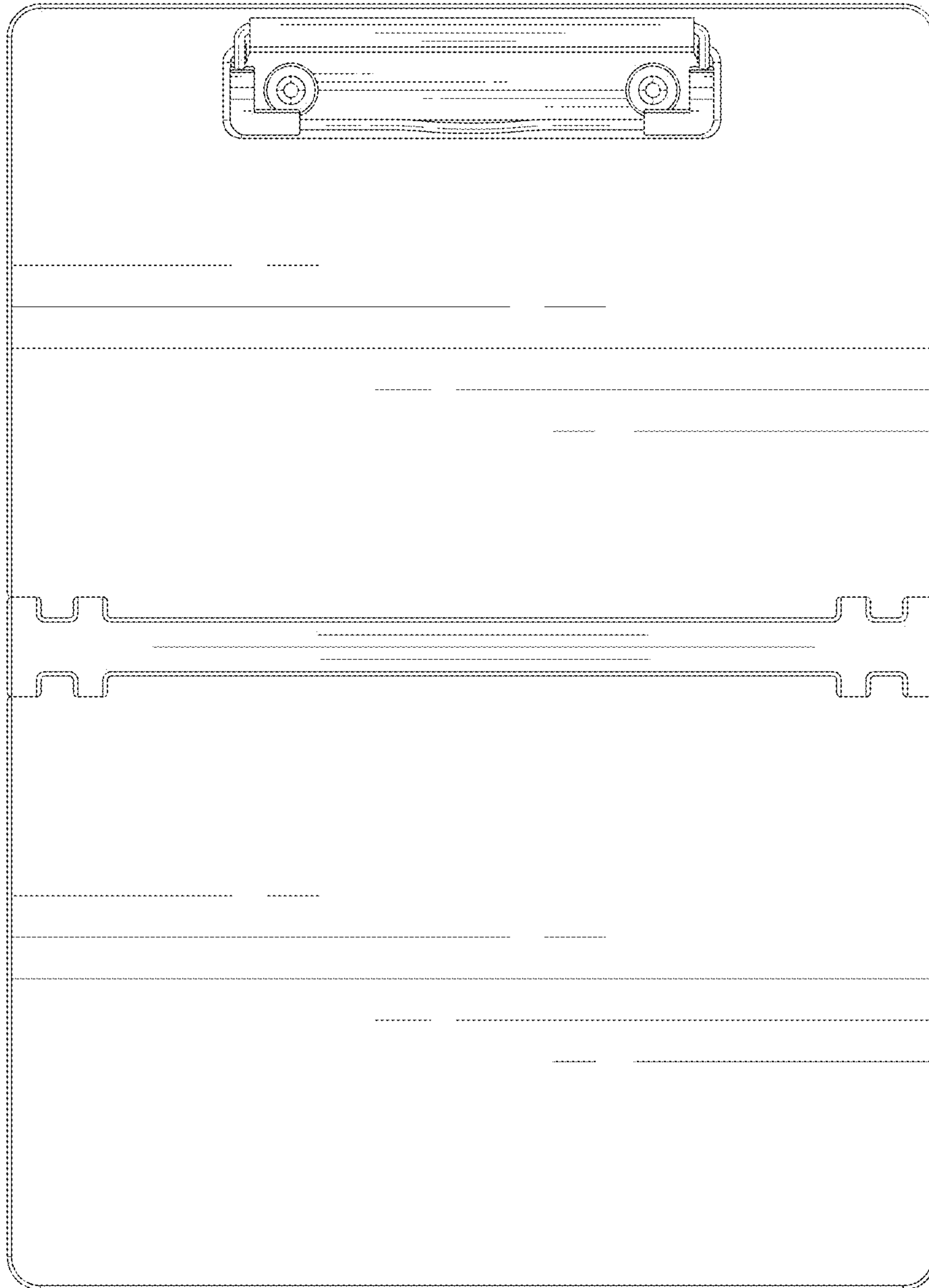


FIG. 3

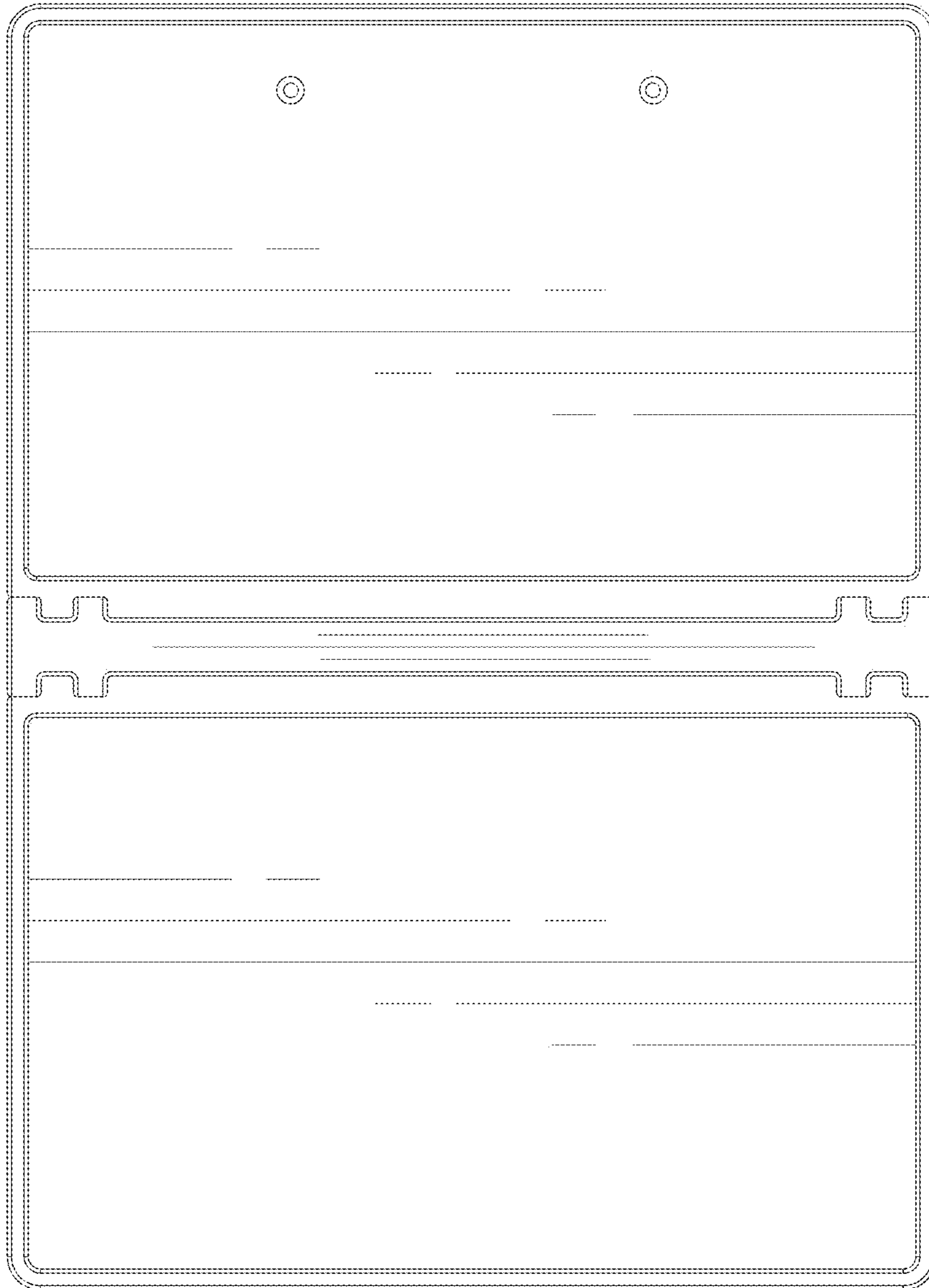


FIG. 4

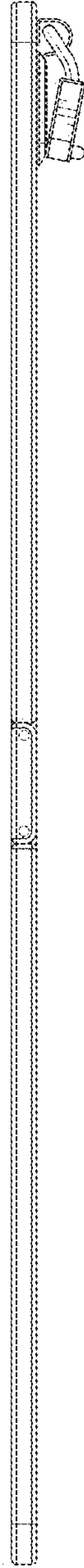


FIG. 5

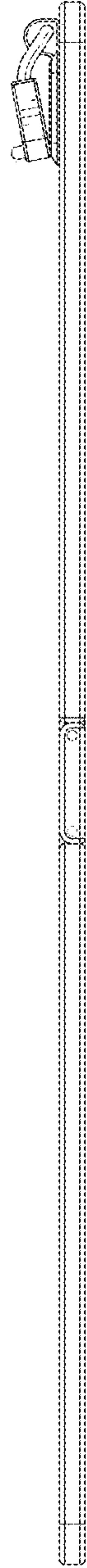


FIG. 6

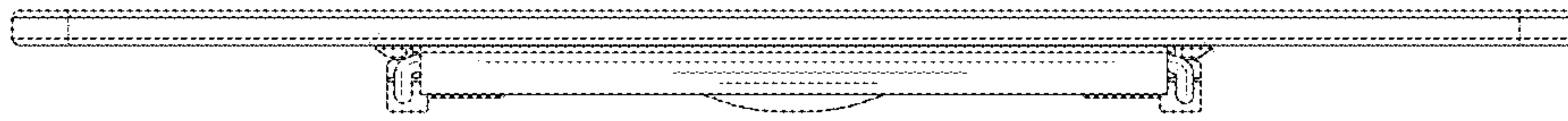


FIG. 7



FIG. 8