



US00D980905S

(12) **United States Design Patent**
Lipsey

(10) **Patent No.:** **US D980,905 S**
(45) **Date of Patent:** **** Mar. 14, 2023**

(54) **BOOK COVER**

(71) Applicant: **Megan Lipsey**, Savannah, GA (US)

(72) Inventor: **Megan Lipsey**, Savannah, GA (US)

(**) Term: **15 Years**

(21) Appl. No.: **29/780,859**

(22) Filed: **Apr. 27, 2021**

(51) **LOC (14) Cl.** **19-04**

(52) **U.S. Cl.**
USPC **D19/26**

(58) **Field of Classification Search**

USPC D19/26, 27, 28, 30, 32, 33, 113, 86, 91,
D19/100, 2, 3; D3/271.5, 294, 299, 300,
D3/302, 303; D6/673, 675; D9/634, 433

CPC G09F 5/00; G09F 5/02; G09F 5/04; G09F
2005/041; G09F 5/042; B42F 7/02; B42F
7/025; B42F 7/04; B42F 7/06; B42F
7/065; B42F 17/00; B42F 19/00; B42F
21/00; B42F 21/02; B42F 23/00; B42F
15/0011; B42F 15/0017; B42F 15/0023;
B42F 15/007; B42F 15/0082; B42F
15/0088; B42F 15/0094; B42F 13/02;
B42F 13/04; B42F 13/06; B42F 13/08;
B42F 13/10; B42F 13/14; B42F 13/65;
B42F 5/00; B42F 5/005; B42F 5/02;
B42F 5/04; B42F 5/06; B42D 1/04;
B42D 3/08; B42D 3/10; B42D 3/12;
B42D 3/123; B42D 7/00; B42D 17/005;
B42D 15/0006; B42D 15/00; B42D
15/008; B42D 15/042; B42D 15/04;
B42D 1/08; B42D 15/0073; B42D
15/0086; B42D 15/0093; B42C 7/00;
B42C 7/01; B42C 7/02; B42C 7/03;
B42C 7/04; B42C 7/05; B42C 7/06;
B42C 7/07; B42C 7/08; B42C

(Continued)

(56) **References Cited**

U.S. PATENT DOCUMENTS

3,669,555 A * 6/1972 Holes et al. B42F 5/00
402/8

D245,252 S * 8/1977 Sullivan D19/86

(Continued)

FOREIGN PATENT DOCUMENTS

JP 2002264562 A * 9/2002 B42D 3/18
JP 3158651 U * 4/2010 B42D 3/18

(Continued)

OTHER PUBLICATIONS

Etsy. Link: <https://www.etsy.com/listing/936477410/>. 5th Anniversary Album Personalized Scrapbook Wedding. Jul. 30, 2022. (Year: 2022).*

(Continued)

Primary Examiner — Lauren D McVey

(74) *Attorney, Agent, or Firm* — Bekiares Eliezer LLP

(57) **CLAIM**

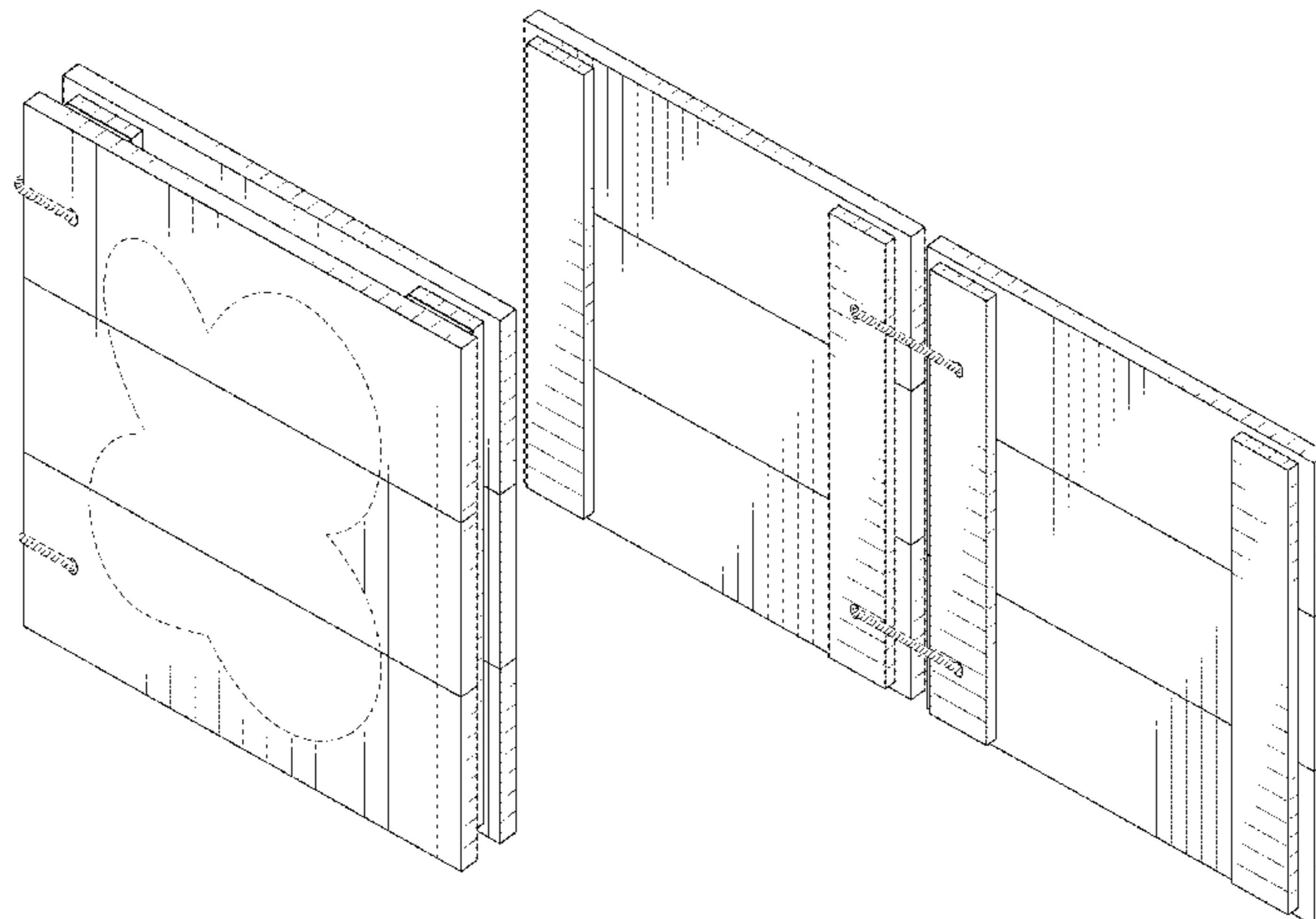
The ornamental design for a book cover, as shown and described.

DESCRIPTION

FIG. 1 is a perspective view of a book cover showing my new design in a closed position;
FIG. 2 is a front elevation view thereof;
FIG. 3 is a rear elevation view thereof;
FIG. 4 is a top plan view thereof;
FIG. 5 is another perspective view in an open position;
FIG. 6 is an inside elevation view thereof;
FIG. 7 is an outside elevation view thereof;
FIG. 8 is another top view thereof;
FIG. 9 is another perspective view in a closed position with additional broken line environment; and,
FIG. 10 is another perspective view in an open position thereof.

The broken lines illustrate portions of the book cover that do not form a part of the claimed design.

1 Claim, 10 Drawing Sheets



US D980,905 S

Page 2

(58) **Field of Classification Search**

CPC 7/09; G07F 17/16; G07F 11/045; B65H
2701/1932; B65H 2701/5112; G11B
33/0433; G11B 33/0438; G11B 33/0444;
G11B 33/0455; G11B 33/0461; G11B
33/0466; G11B 33/0472; G11B 33/0477;
G11B 33/0483

See application file for complete search history.

9,077,823 B1 * 7/2015 Grosz H04N 1/00196
D928,609 S * 8/2021 Perella D9/433
2005/0104362 A1 * 5/2005 Kam B42D 3/04
281/29

FOREIGN PATENT DOCUMENTS

KR 300849224.0000 * 4/2016
WO WO-2005023556 A1 * 3/2005 B42D 3/04
WO WO-2006110959 A1 * 10/2006 B42D 3/04

(56)

References Cited

U.S. PATENT DOCUMENTS

D282,377 S * 1/1986 Curran D19/32
D302,699 S * 8/1989 Popat D19/86
6,179,332 B1 * 1/2001 Funkhouser B42F 13/12
402/60
D549,283 S * 8/2007 Bharna D19/27
D564,020 S * 3/2008 Brown D19/26
D579,975 S * 11/2008 Brown D19/26
D720,006 S * 12/2014 Grosz D19/26
D721,490 S * 1/2015 Batton D3/903

OTHER PUBLICATIONS

Amazon. Link: <https://www.amazon.com/dp/B00006IERZ/ref=olp-opf-redir?aod=1&ie=UTF8&condition=NEW>. Dec. 8, 2004. ACCO Pressboard Report Cover, Letter, Black, (A7025971A). (Year: 2004).*
Hartnack & Co. Link: <https://hartnackandco.com/pages/gallery-company-presentation-folders-and-boxes>. Visited Oct. 29, 2022. Exposed Screw Post Portfolio Binder (Year: 2022).*
Hartnack & Co. Link: <https://hartnackandco.com/collections/all-h-co-binders/products/personalised-hidden-screw-post-portfolio>. Visited Oct. 29, 2022. Hidden Screw Post Portfolio. (Year: 2022).*

* cited by examiner

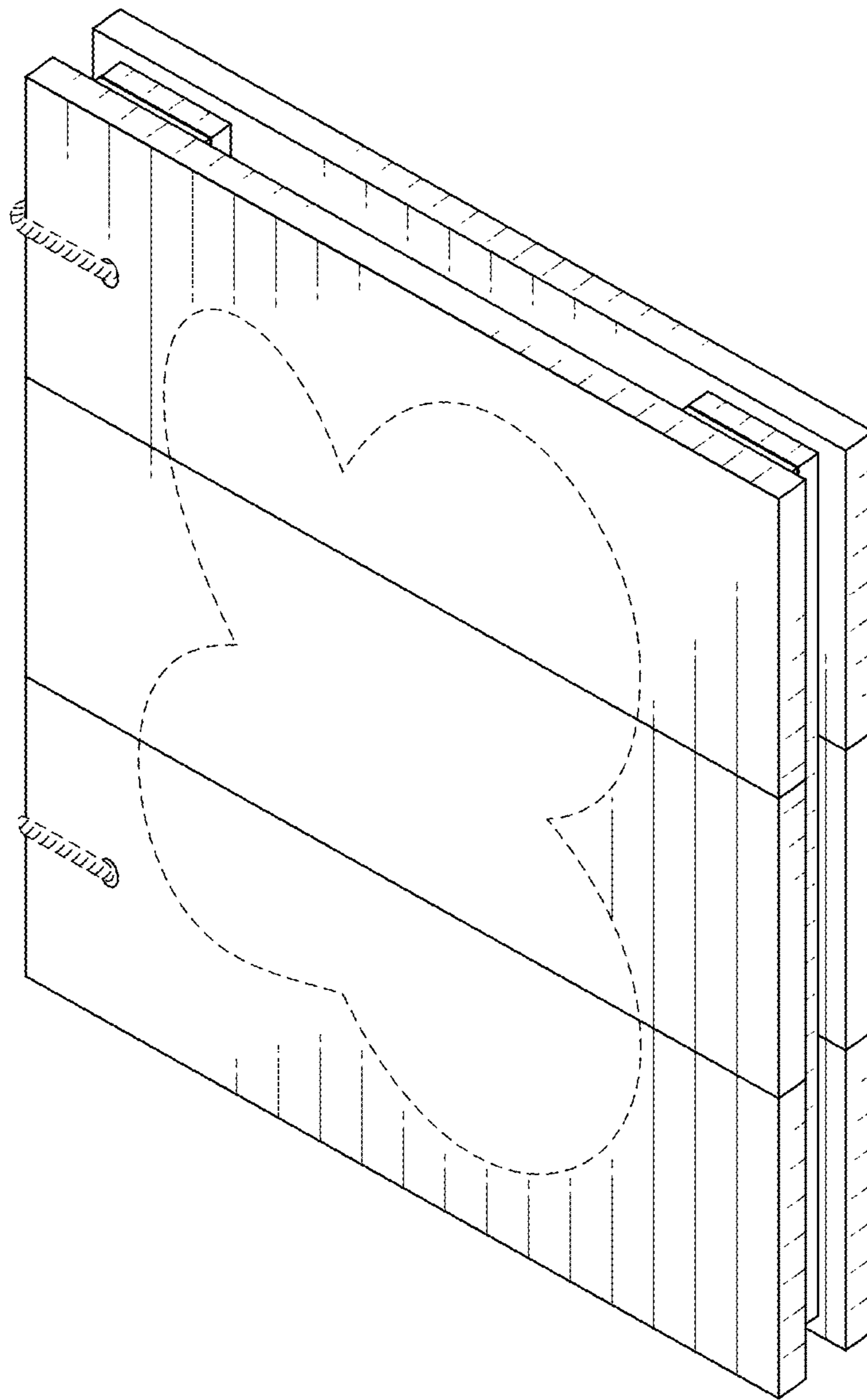


FIG. 1

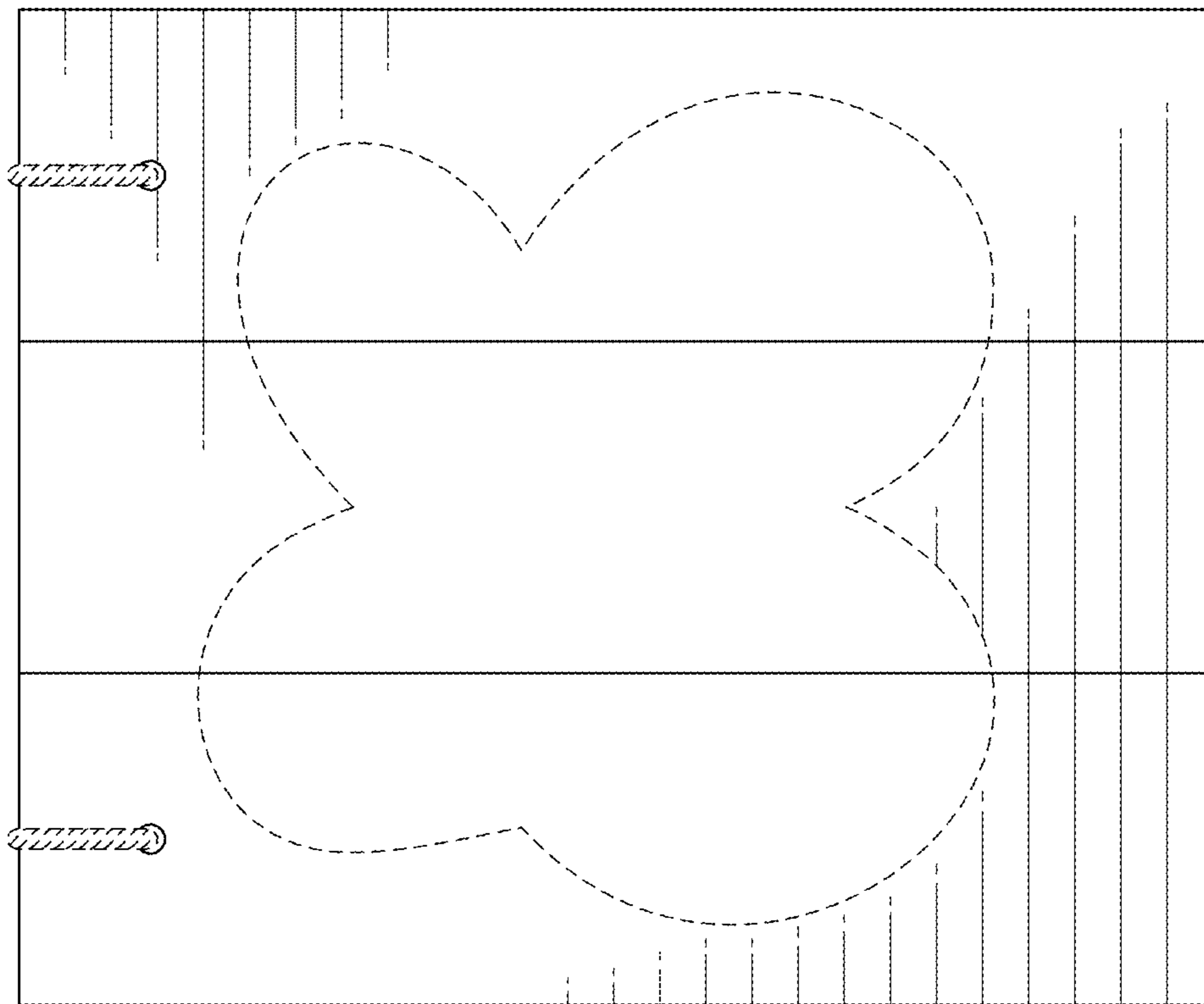


FIG. 2

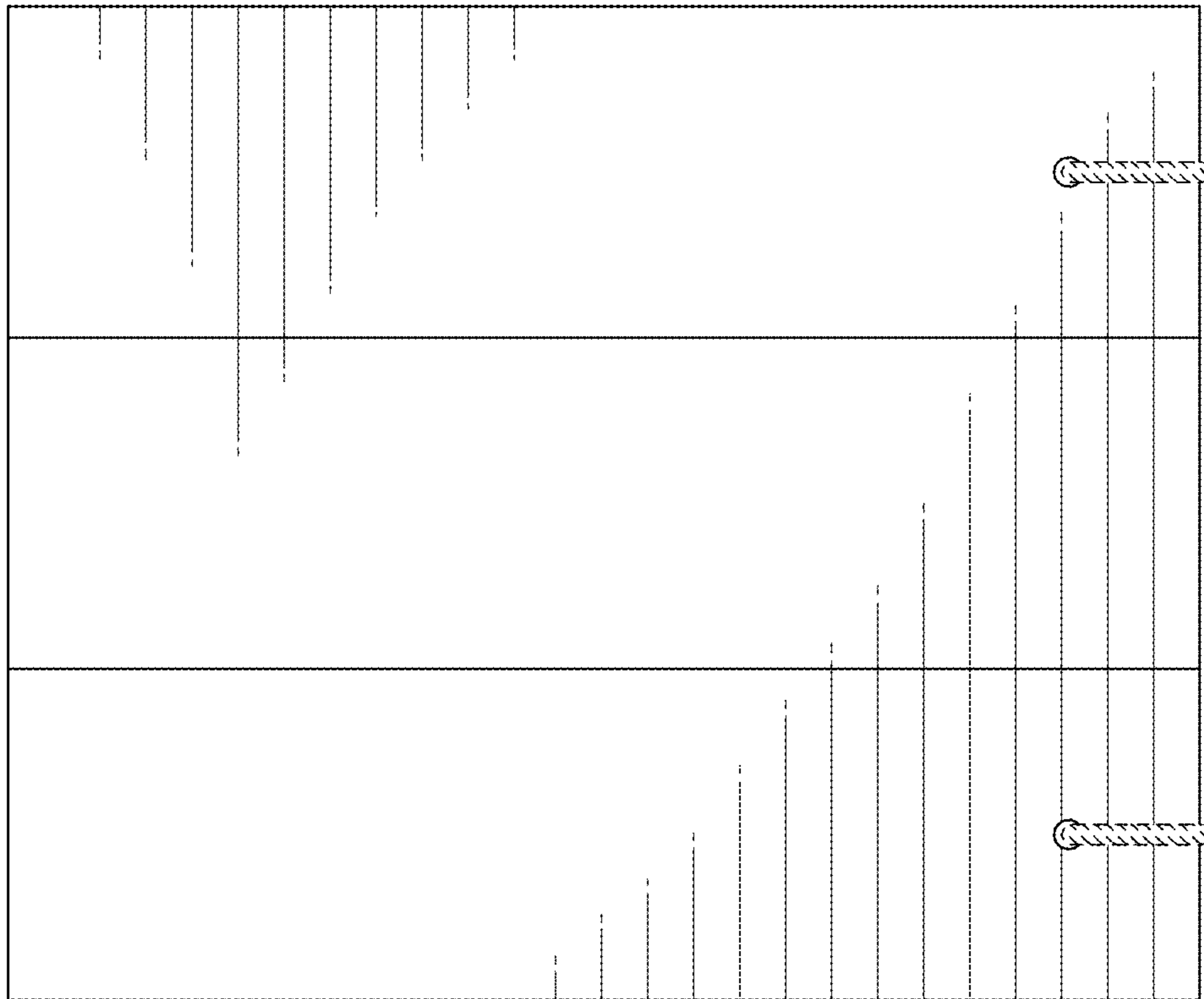


FIG. 3

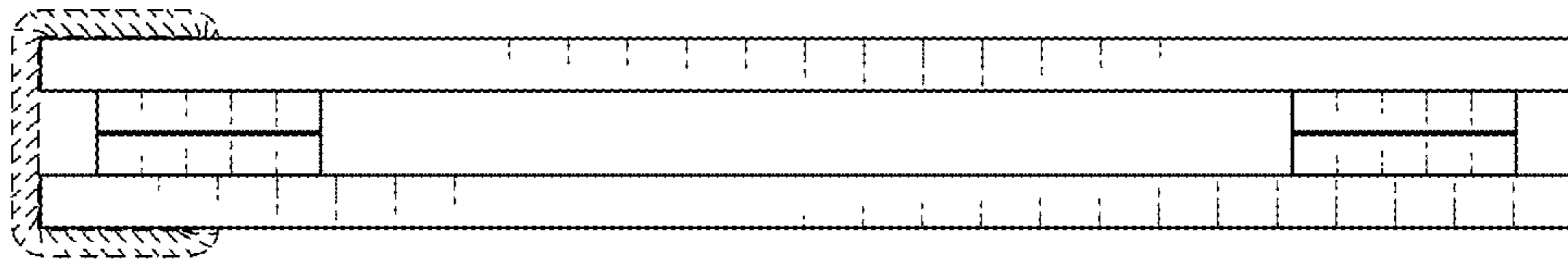


FIG. 4

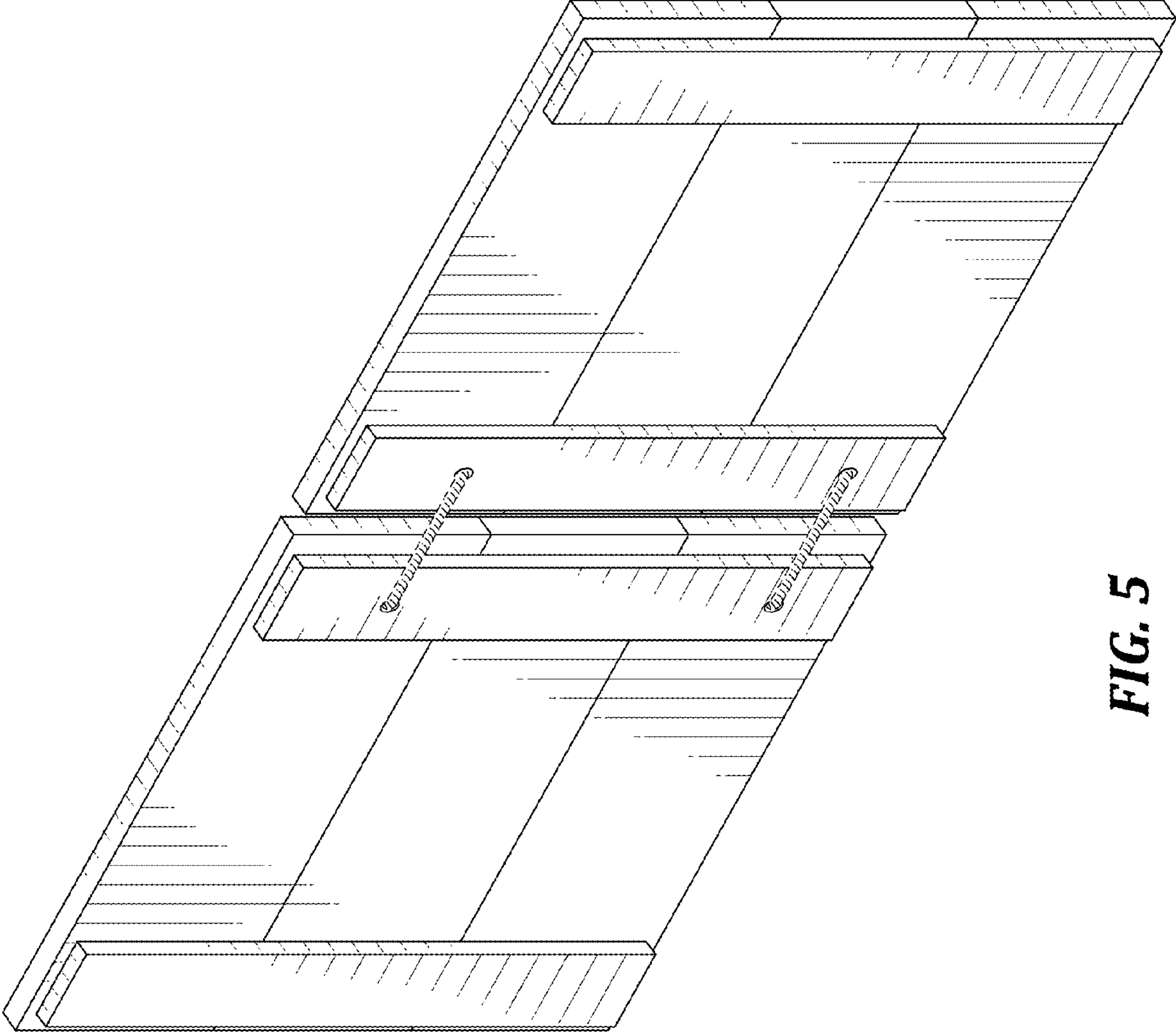


FIG. 5

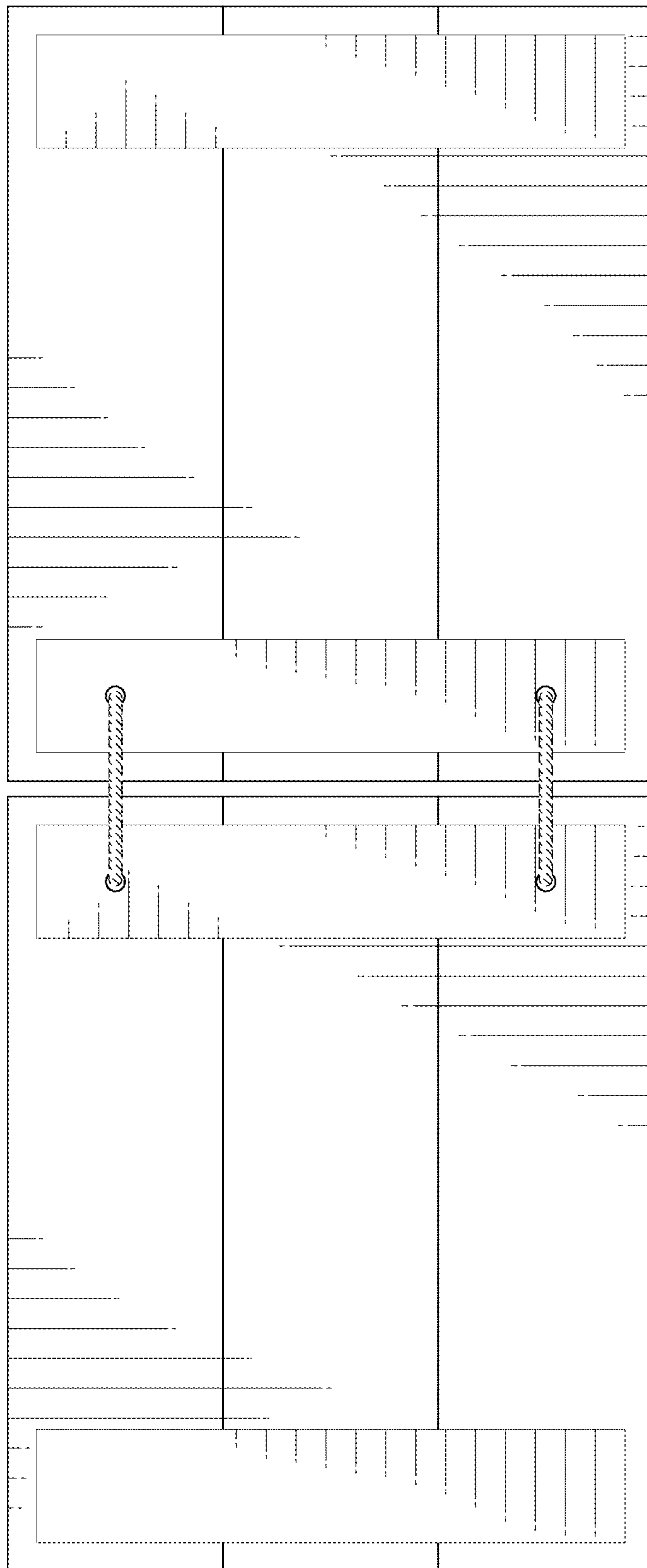


FIG. 6

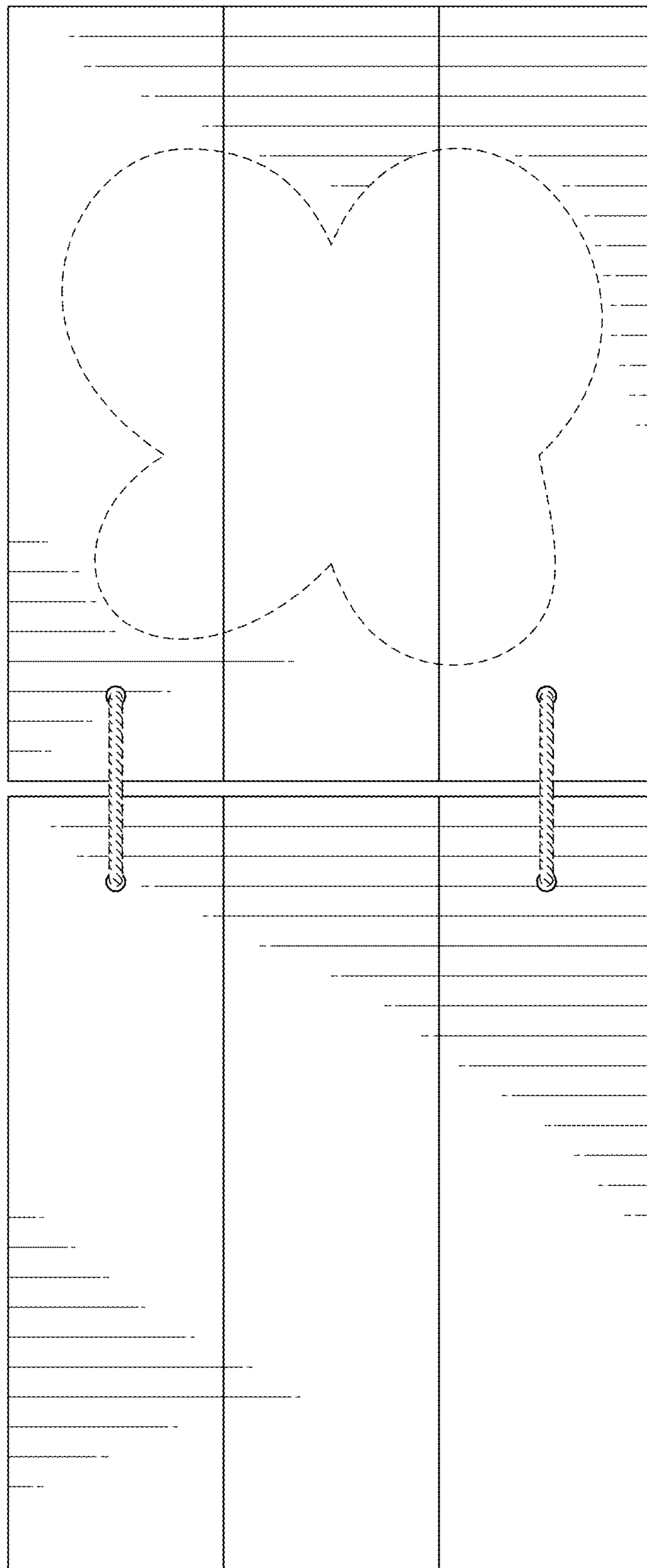


FIG. 7

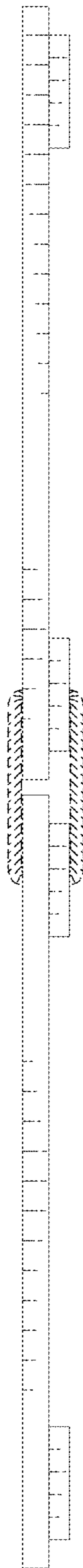


FIG. 8

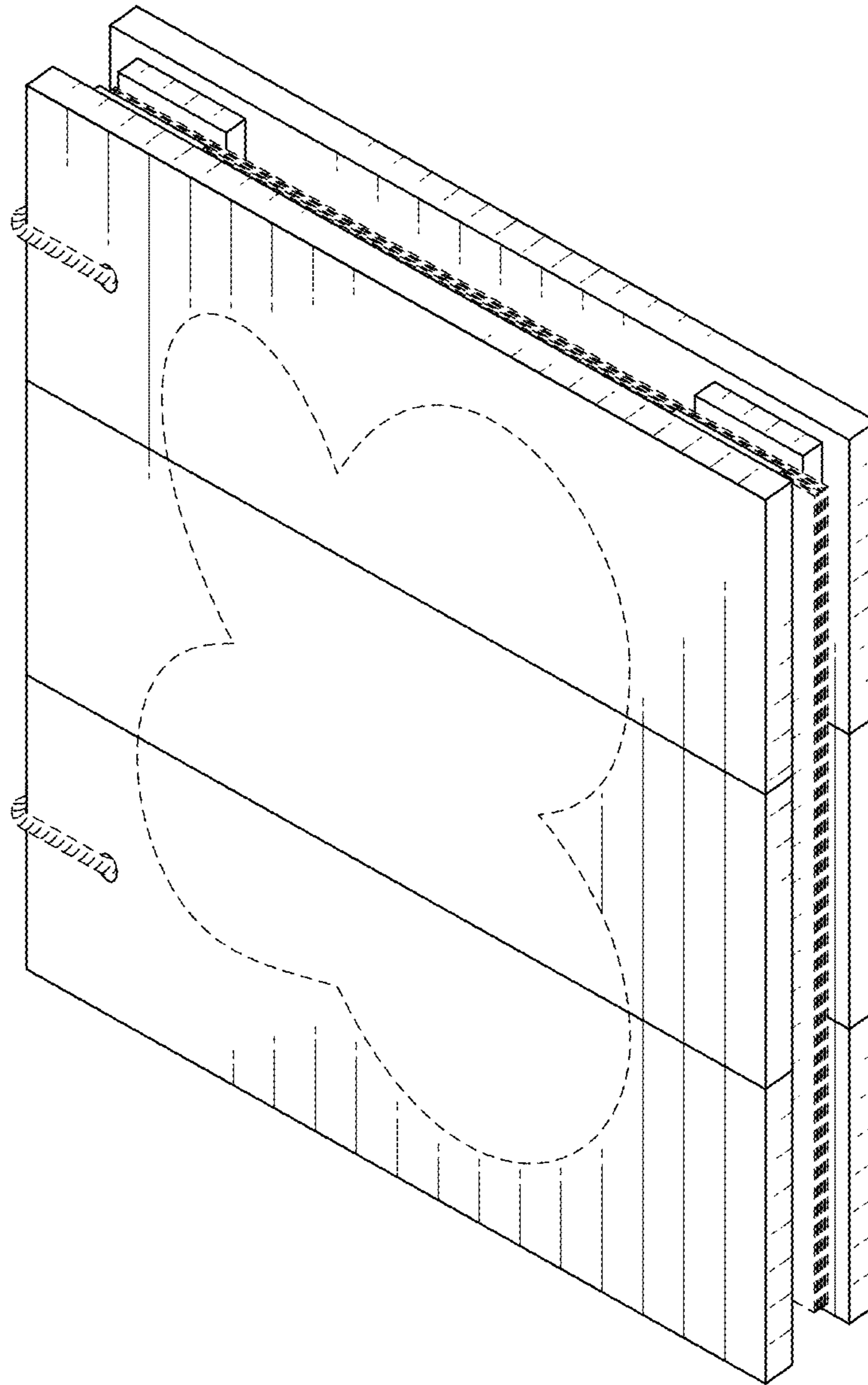


FIG. 9

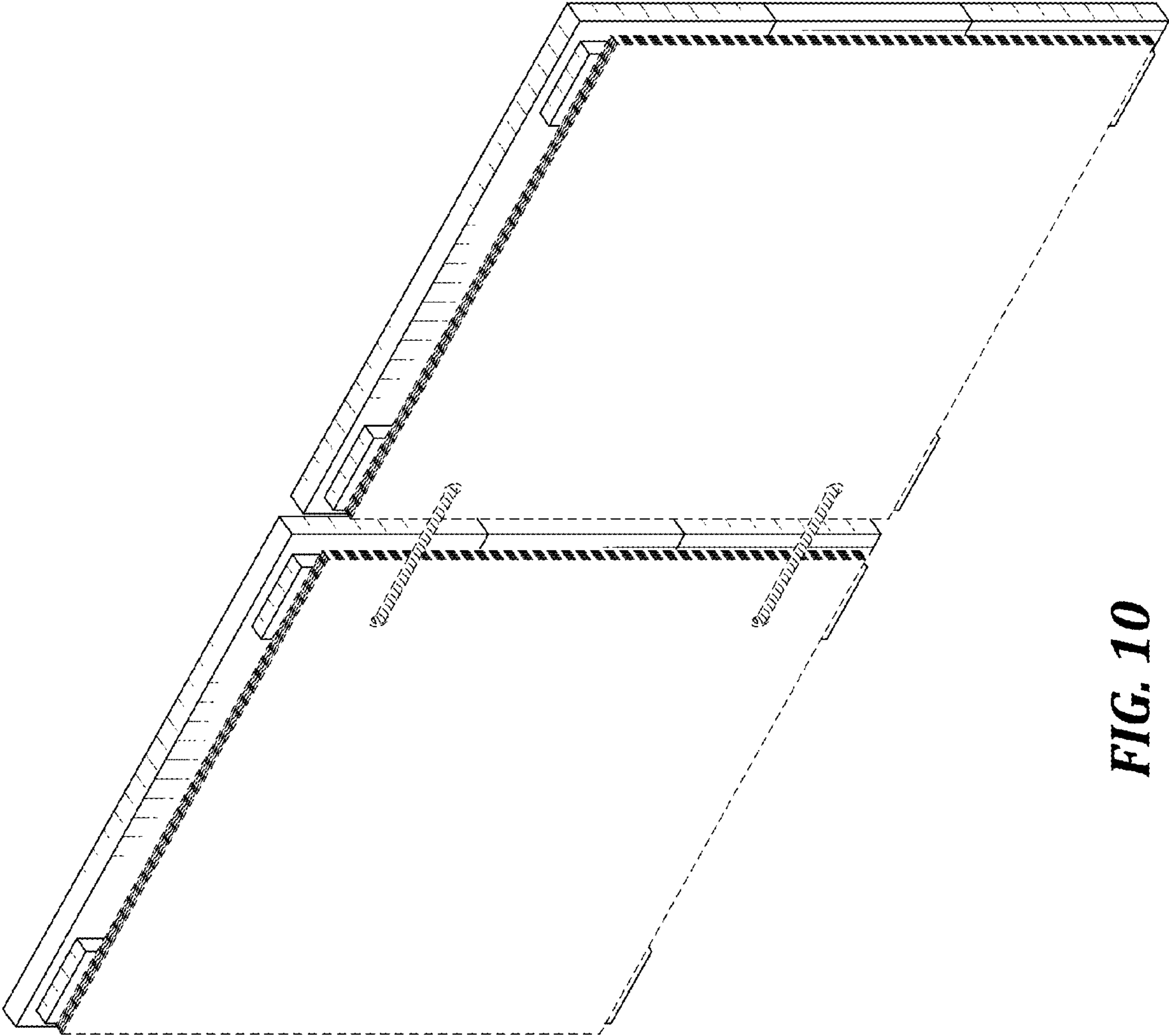


FIG. 10