



US00D980904S

(12) **United States Design Patent** (10) **Patent No.:** **US D980,904 S**  
**Chen et al.** (45) **Date of Patent:** **\*\* Mar. 14, 2023**

(54) **PLUSH GREETING CARD**

(71) Applicants: **100 Greetings, LLC**, Clearwater, FL (US); **Jast Company Limited**, Shenzhen (CN)

(72) Inventors: **Jen-Lin Chen**, Cupertino, CA (US); **Anthony Carl T. Gonzales**, Parañaque (PH); **Jay Kamhi**, Belleair, FL (US)

(73) Assignees: **100 Greetings, LLC**, Clearwater, FL (US); **Jast Company Limited**, Shenzhen (CN)

(\*\*) Term: **15 Years**

(21) Appl. No.: **29/805,254**

(22) Filed: **Aug. 25, 2021**

(51) **LOC (14) Cl.** ..... **19-01**

(52) **U.S. Cl.**  
USPC ..... **D19/1**

(58) **Field of Classification Search**  
 USPC ..... D19/1-8, 26-31, 10-11, 100, 59;  
 D21/576-578, 584-592, 611-613,  
 D21/617-618, 601; D11/118, 121, 125,  
 D11/117  
 CPC ..... B42D 15/00; B42D 15/0006; B42D  
 15/0033; B42D 15/0053; B42D 15/02;  
 G06Q 20/209; G09F 1/06; G09F 1/00;  
 G09B 25/04; A63H 3/08; A63H 3/00;  
 A63H 3/52; A63H 33/16; A63H 33/42;  
 B65D 75/00; B65D 25/34

See application file for complete search history.

(56) **References Cited**

U.S. PATENT DOCUMENTS

D528,037	S	*	9/2006	Steiger	.....	D19/24
D549,130	S	*	8/2007	Steiger	.....	D19/24
7,292,681	B2		11/2007	Pines		
D621,885	S	*	8/2010	Rappaport-Rowan	.....	D21/601
D621,888	S	*	8/2010	Rappaport-Rowan	.....	D19/59
D622,331	S	*	8/2010	Rappaport-Rowan	.....	D21/617
7,845,099	B2		12/2010	Ross et al.		
8,418,384	B2		4/2013	Jin et al.		
8,595,961	B2		12/2013	Mayer et al.		
8,752,313	B2		6/2014	Wilson et al.		
10,155,173	B2		12/2018	Simmons et al.		
2011/0258892	A1		10/2011	Taylor et al.		
2013/0139418	A1		6/2013	Bogdanski et al.		

\* cited by examiner

*Primary Examiner* — Abraham Bahta

(74) *Attorney, Agent, or Firm* — LaMorte & Associates, P.C.

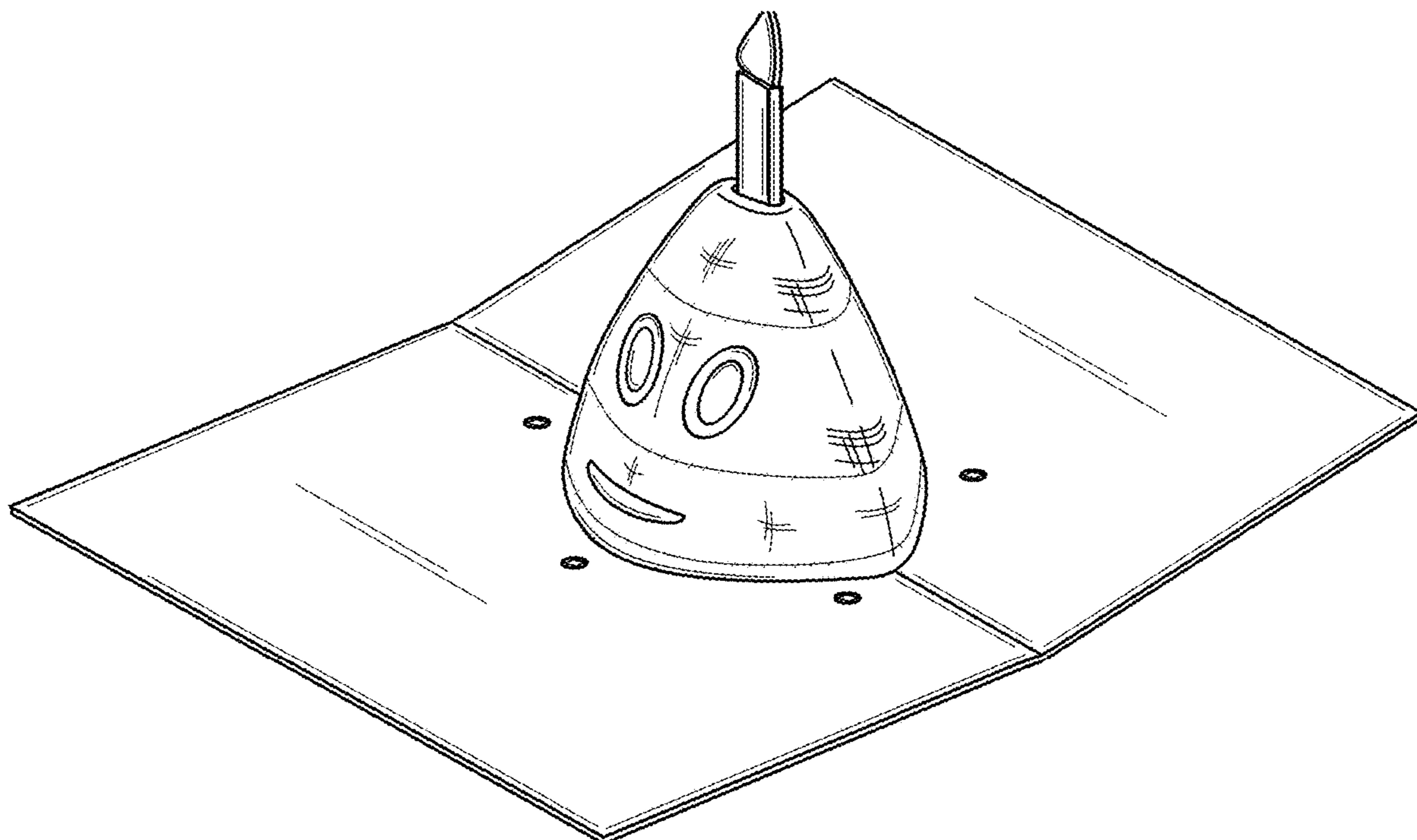
(57) **CLAIM**

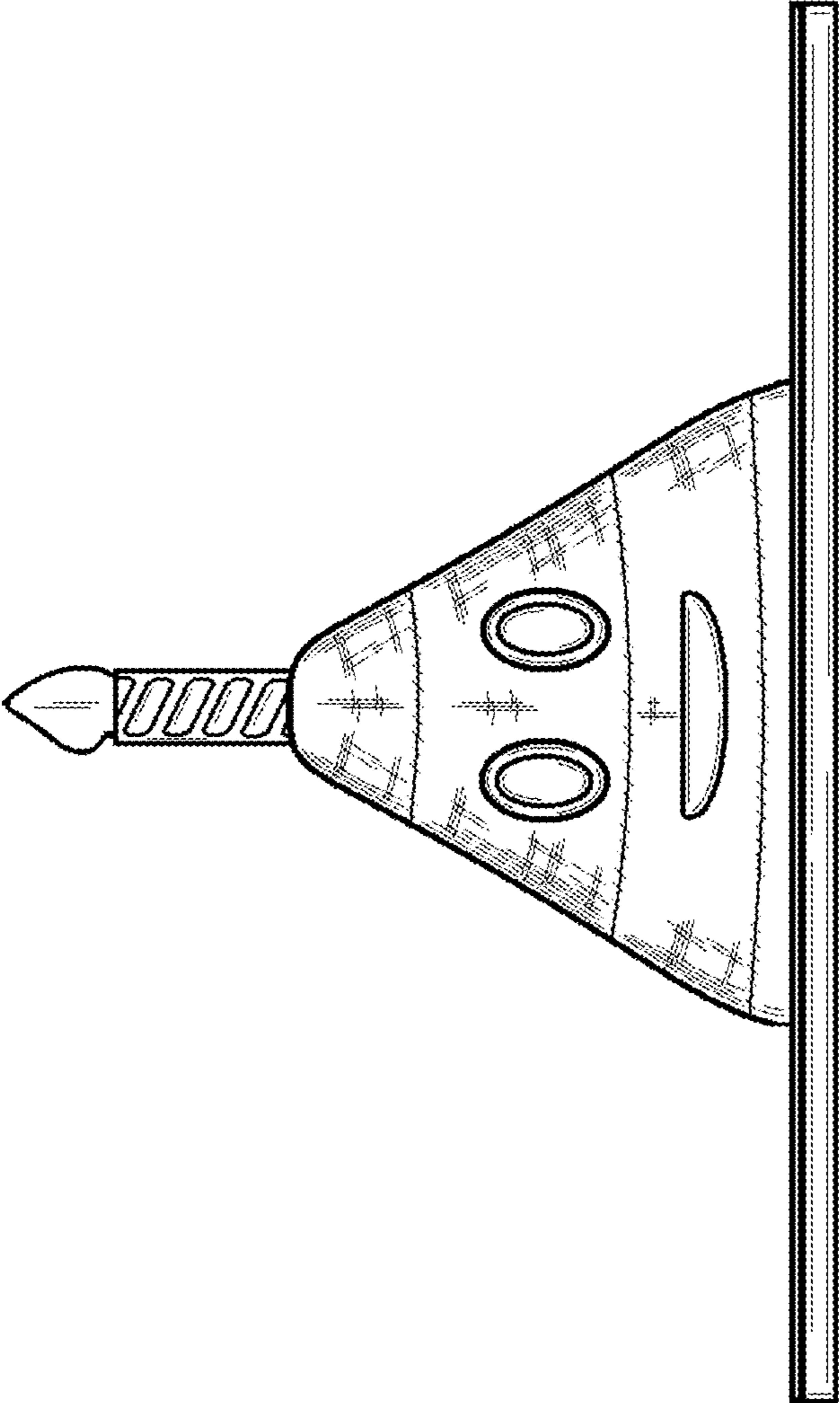
The ornamental design for a plush greeting card, as shown and described.

**DESCRIPTION**

FIG. 1 is a front view of a plush greeting card;  
 FIG. 2 is a rear view thereof;  
 FIG. 3 is a right-side view thereof;  
 FIG. 4 is a left-side view thereof;  
 FIG. 5 is a top view thereof;  
 FIG. 6 is a bottom view thereof; and,  
 FIG. 7 is a perspective view thereof.

**1 Claim, 7 Drawing Sheets**





*FIG. 1*

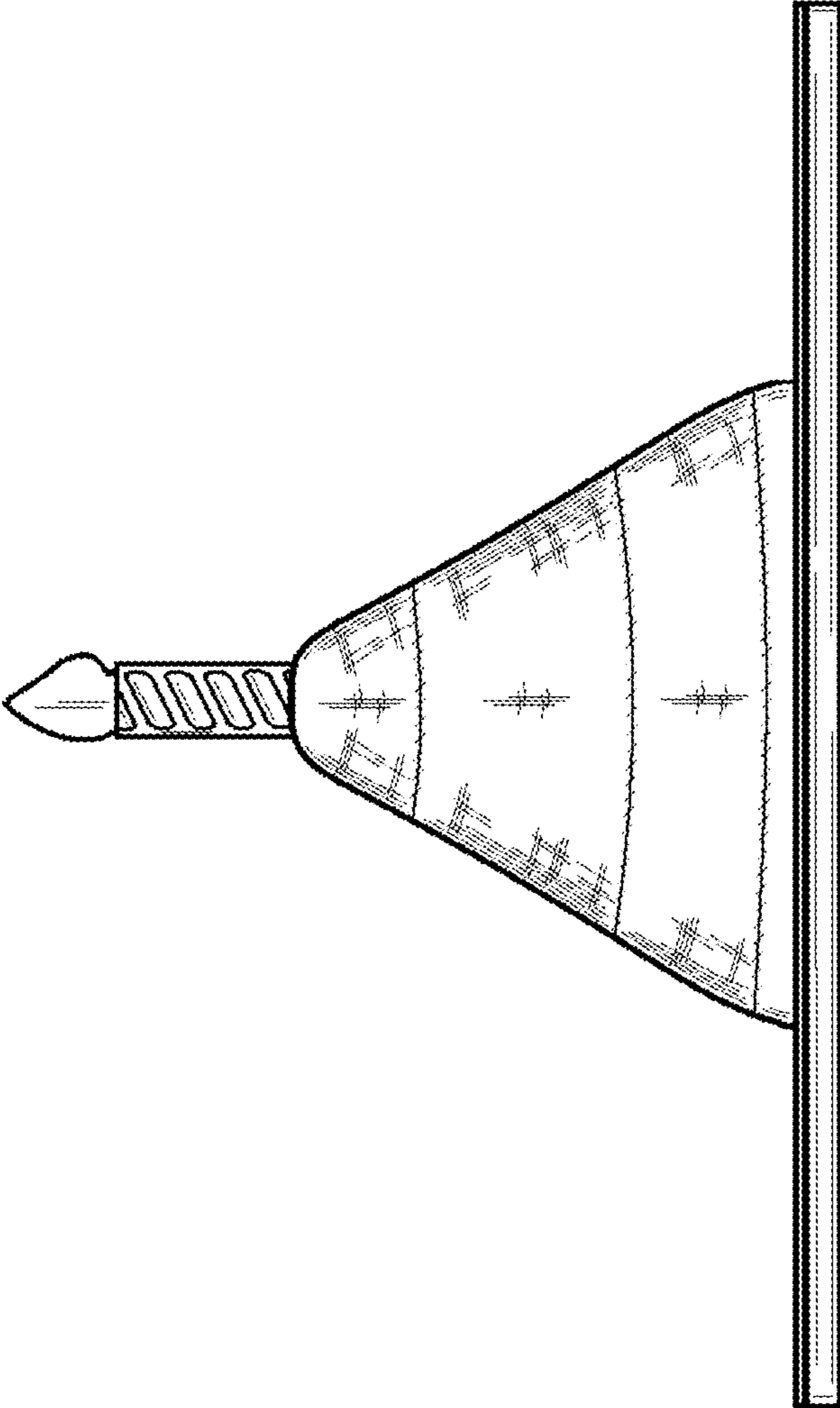


FIG. 2

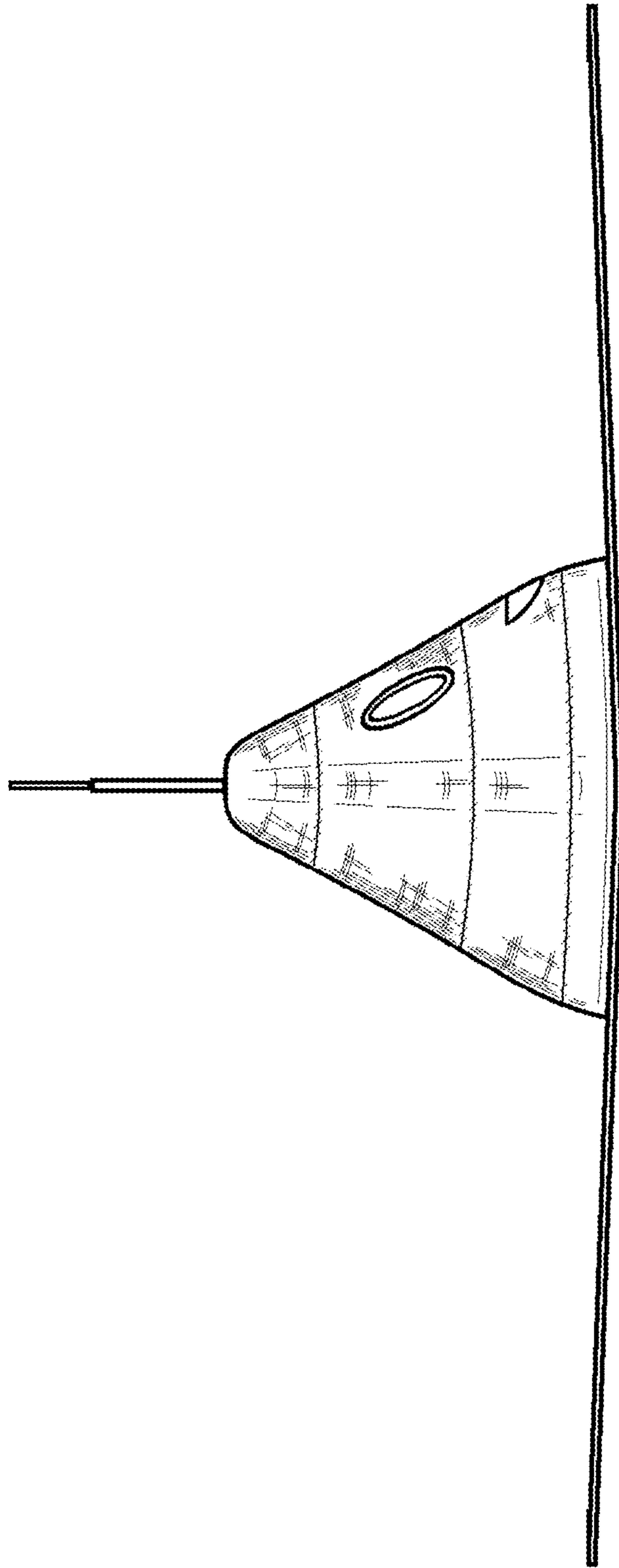


FIG. 3

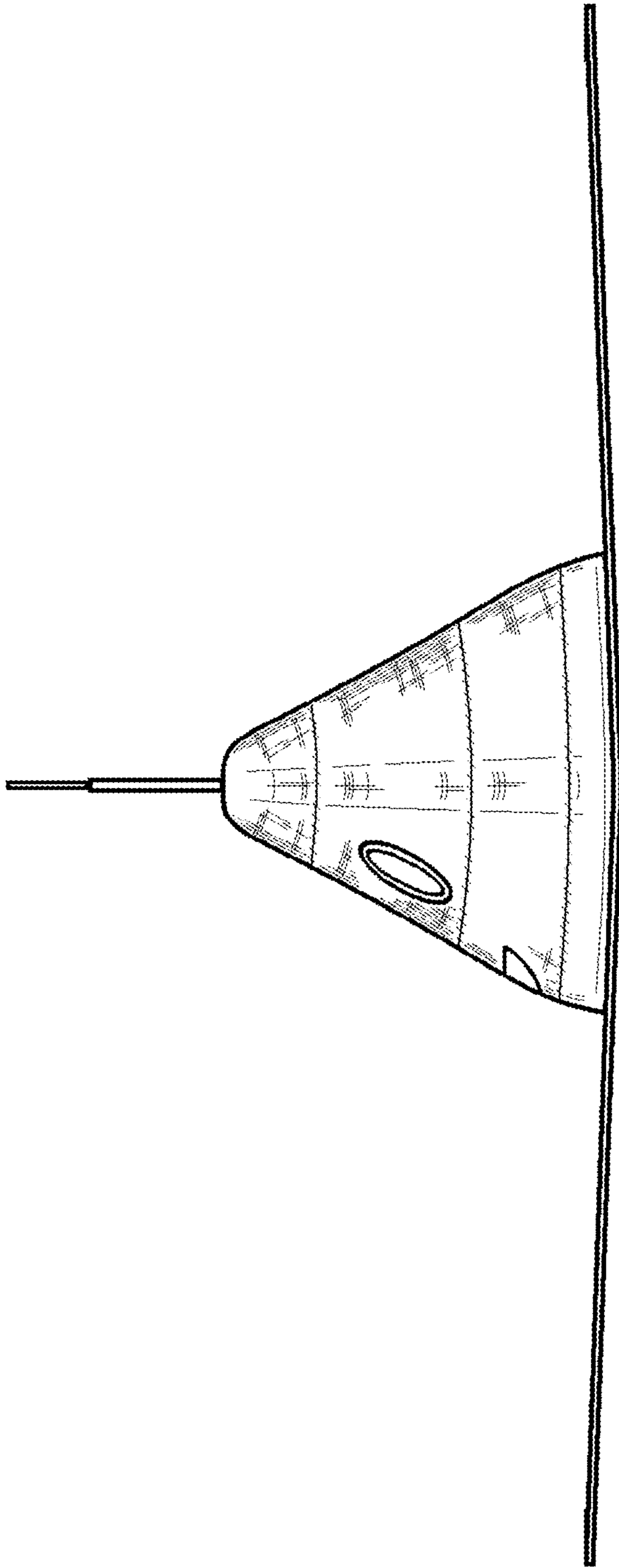


FIG. 4

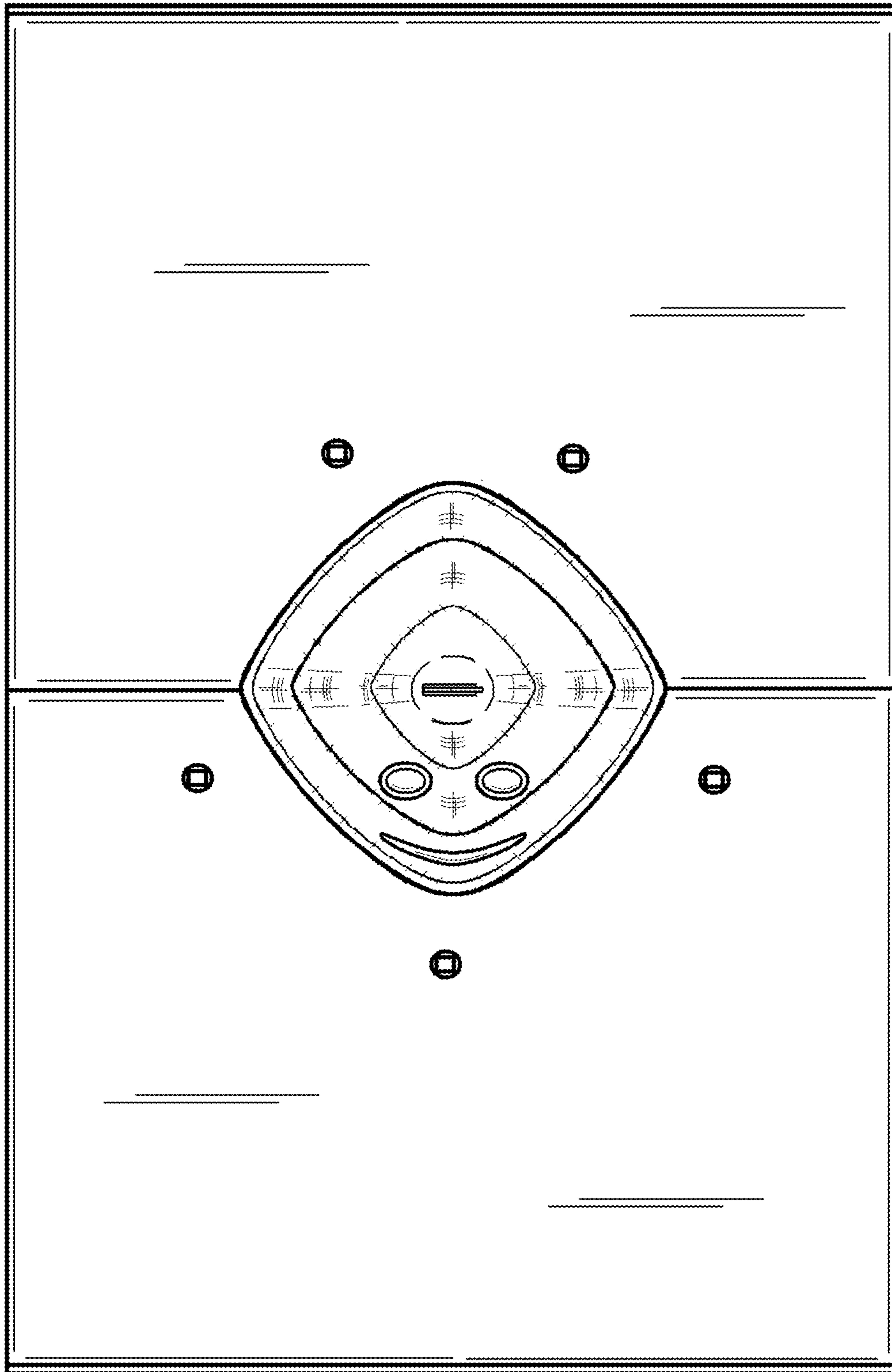
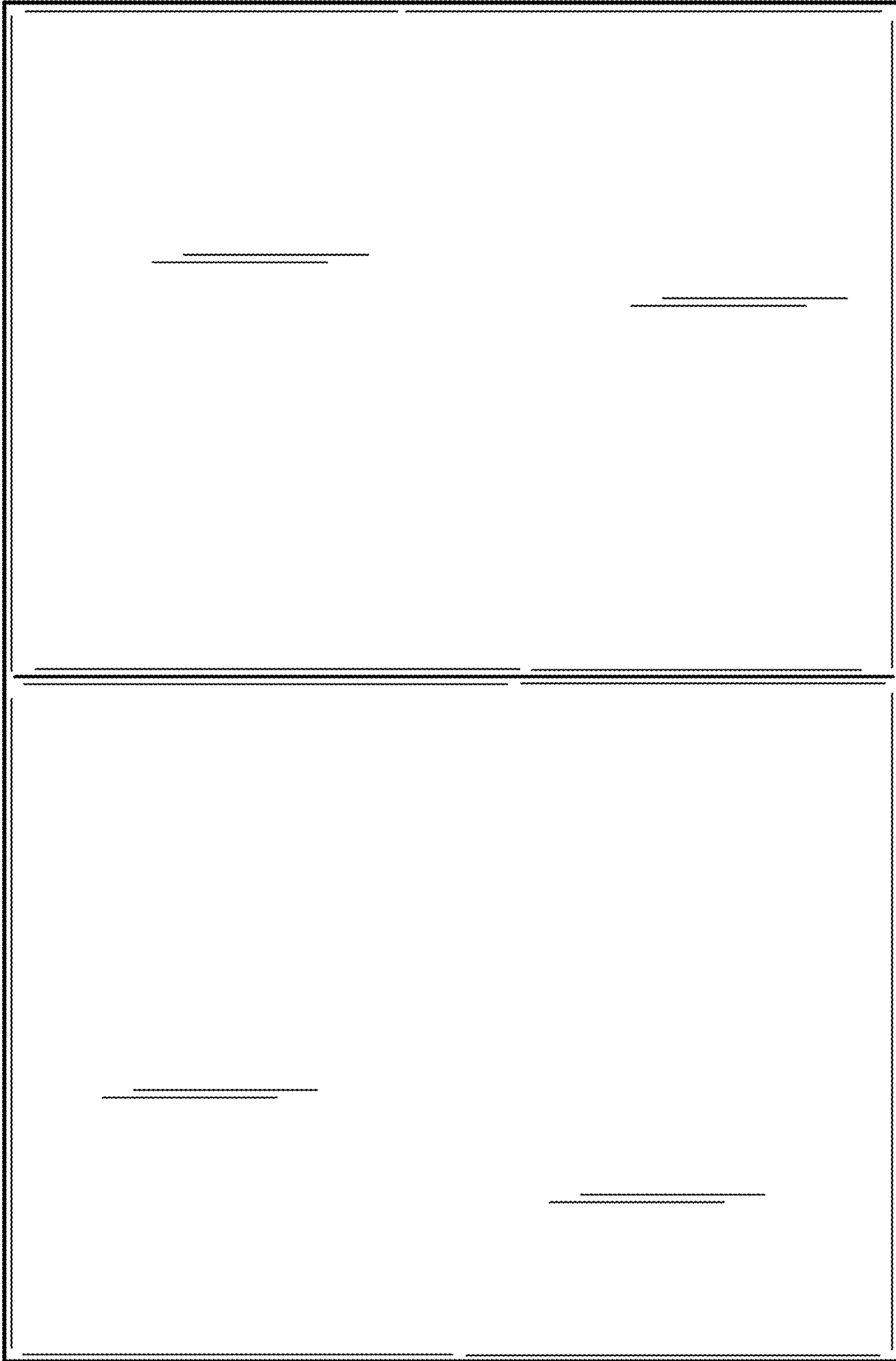


FIG. 5



*FIG. 6*

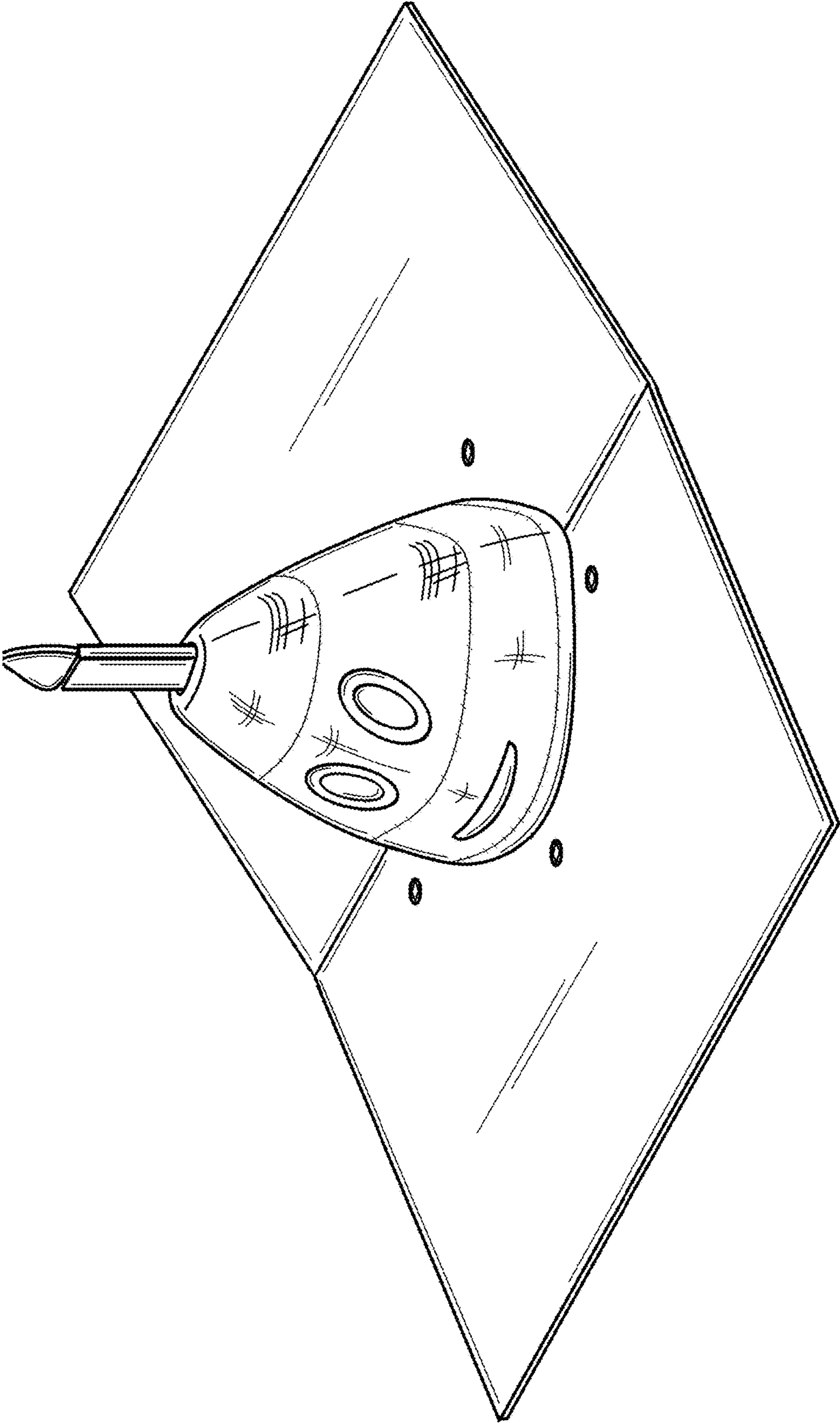


FIG. 7