



US00D980902S

(12) **United States Design Patent** (10) **Patent No.:** **US D980,902 S**  
**Chang** (45) **Date of Patent:** **\*\* Mar. 14, 2023**

(54) **PRINTER**

(71) Applicant: **INTERNATIONAL CURRENCY TECHNOLOGIES CORPORATION,**  
Taipei (TW)

(72) Inventor: **Chia-Min Chang,** Taipei (TW)

(73) Assignee: **INTERNATIONAL CURRENCY TECHNOLOGIES CORPORATION,**  
Taipei (TW)

(\*\*) Term: **15 Years**

(21) Appl. No.: **29/798,945**

(22) Filed: **Jul. 12, 2021**

(51) **LOC (14) Cl.** ..... **18-99**

(52) **U.S. Cl.**  
USPC ..... **D18/19**

(58) **Field of Classification Search**  
USPC ..... D18/12, 14-19, 36-41, 50, 45, 54, 55,  
D18/53, 56; D19/65, 66, 67, 68, 69, 70,  
D19/71; D14/301, 307, 121  
CPC ..... H04N 1/00204; H04N 1/00249; H04N  
1/00278; G06K 15/12; G06K 15/14; B41J  
3/00; B41J 3/46; B41J 2/3358; B41J  
3/382; B41J 3/445; B41J 3/28; B41J  
11/0045; B41J 3/36  
See application file for complete search history.

(56) **References Cited**

**U.S. PATENT DOCUMENTS**

D324,695 S \* 3/1992 Malone ..... D18/12  
D472,917 S \* 4/2003 Iwata ..... D18/12  
D593,148 S \* 5/2009 Polidoro ..... D18/12.1  
D593,595 S \* 6/2009 Kubota ..... D18/12  
D614,694 S \* 4/2010 Nishizaka ..... D18/19  
D753,217 S \* 4/2016 Ozawa ..... D18/50  
D827,707 S \* 9/2018 Campanini ..... D18/56

D846,634 S \* 4/2019 Chang ..... D18/50  
2005/0057633 A1 \* 3/2005 Meyerhofer ..... G07F 17/32  
347/105  
2005/0286954 A1 \* 12/2005 Suzuki ..... G07F 19/201  
400/663

(Continued)

**FOREIGN PATENT DOCUMENTS**

CN 306872048 \* 10/2021  
EM 0293089 A2 \* 11/1988 ..... B41J 3/28

(Continued)

**OTHER PUBLICATIONS**

Alibaba. Link: [https://www.alibaba.com/product-detail/flexo-adhesive-tape-printing-machine-with\\_60752060815.html](https://www.alibaba.com/product-detail/flexo-adhesive-tape-printing-machine-with_60752060815.html). Visited Mar. 23, 2022. Flexo adhesive tape printing machine with die cutting. (Year: 2022).\*

(Continued)

*Primary Examiner* — Lauren D McVey  
(74) *Attorney, Agent, or Firm* — Muncy, Geissler, Olds & Lowe, P.C.

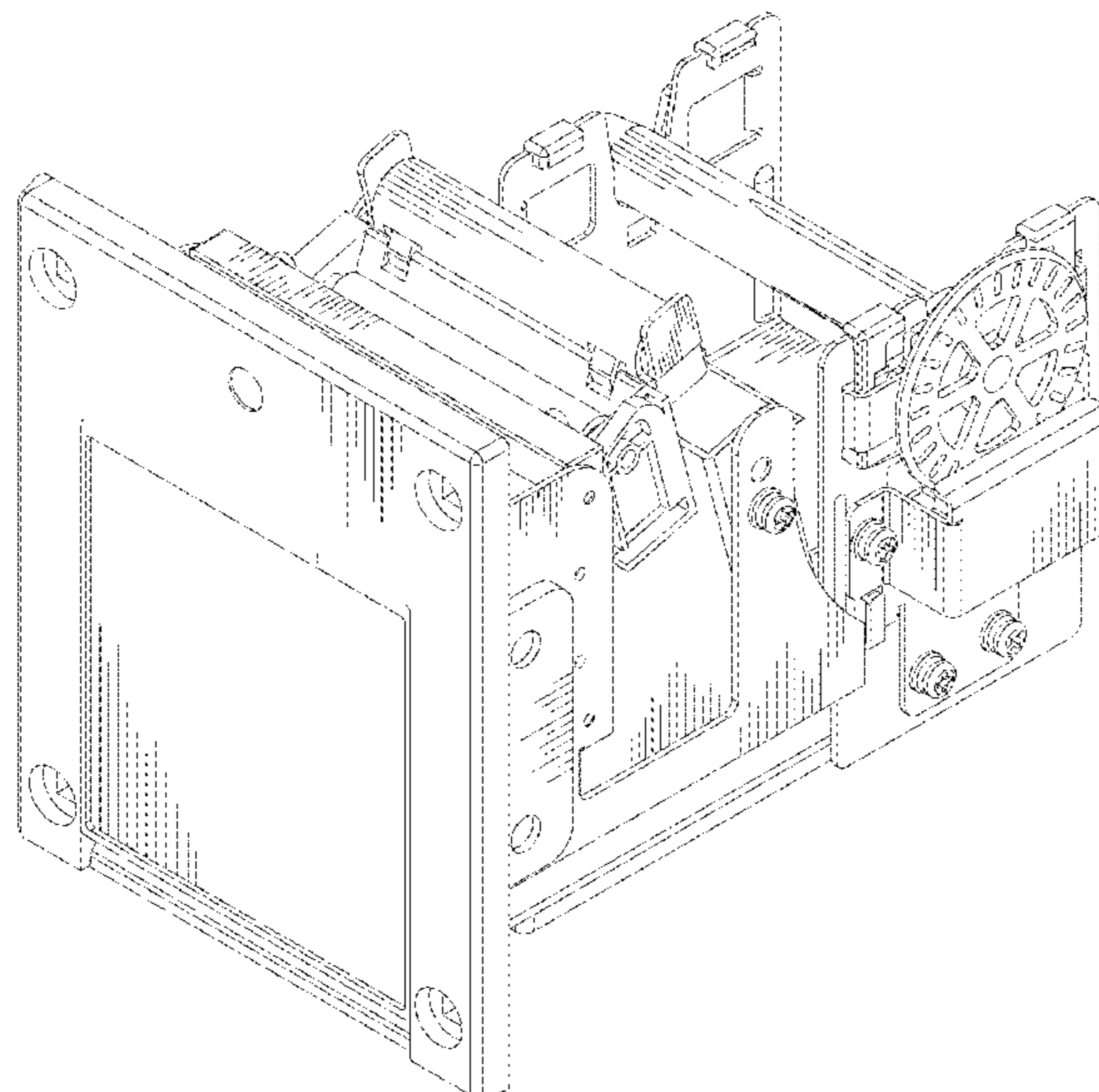
(57) **CLAIM**

I claim the ornamental design for a printer, as shown and described.

**DESCRIPTION**

FIG. 1 is a top perspective view of a printer showing my design;  
FIG. 2 is a front view thereof;  
FIG. 3 is a rear view thereof;  
FIG. 4 is a left side view thereof;  
FIG. 5 is a right side view thereof;  
FIG. 6 is a top view thereof;  
FIG. 7 is a bottom view thereof; and,  
FIG. 8 is a bottom perspective view thereof.  
The broken lines in the drawings are for the purpose of illustrating portions of the printer, which form no part of the claimed design.

**1 Claim, 8 Drawing Sheets**



(56)

**References Cited**

U.S. PATENT DOCUMENTS

2008/0304835 A1\* 12/2008 Chang ..... H04N 1/00188  
399/4  
2011/0017795 A1\* 1/2011 Lin ..... B41J 15/042  
226/2  
2021/0155441 A1\* 5/2021 Chang ..... B65H 35/008

FOREIGN PATENT DOCUMENTS

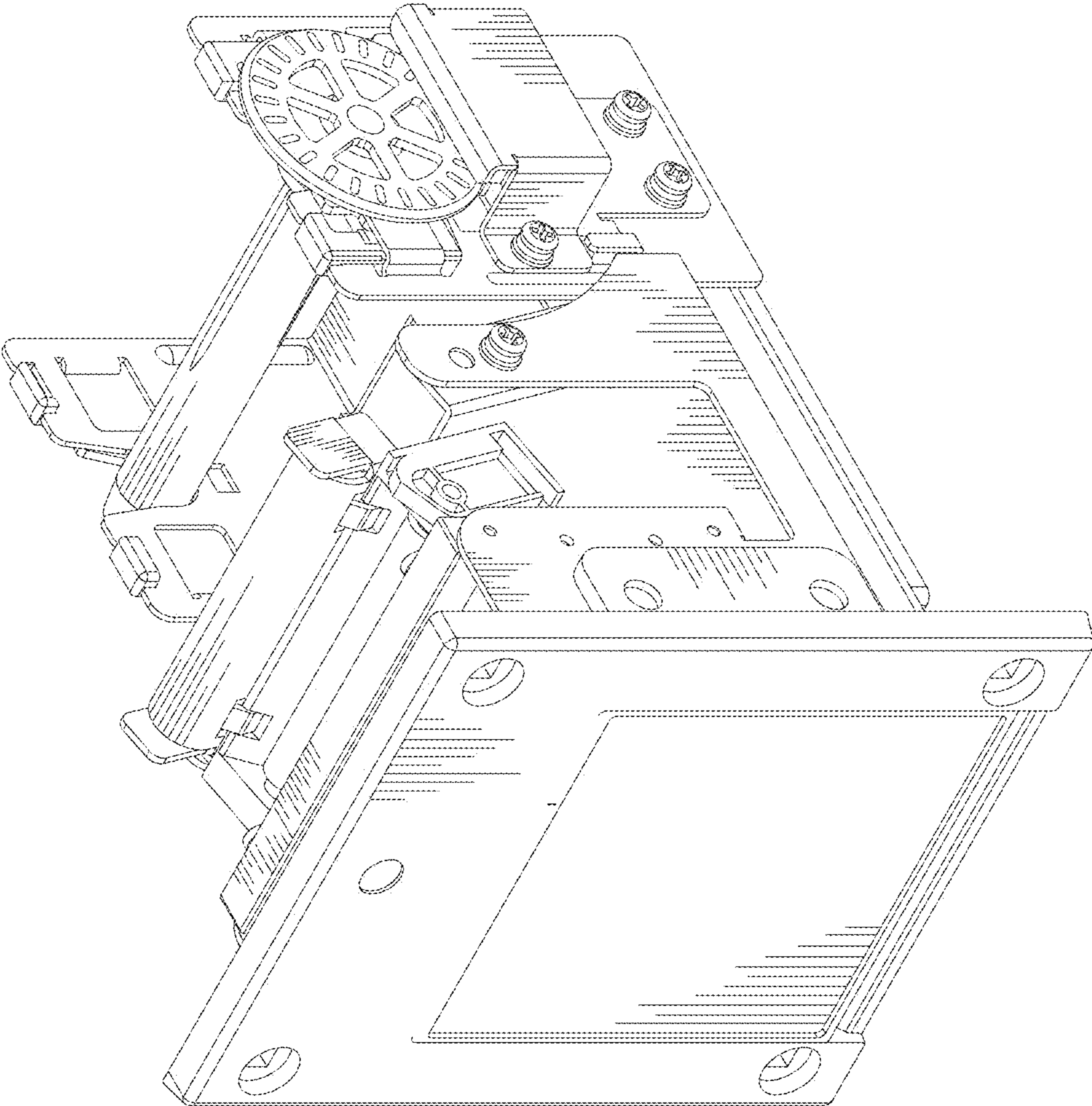
JP 2000280538 A \* 10/2000 ..... B26D 1/205  
JP D1509938 \* 10/2014  
WO WO-0218147 A1 \* 3/2002 ..... B41J 11/42  
WO WO-0218254 A1 \* 3/2002 ..... B41J 11/42  
WO WO-2015099061 A \* 7/2015 ..... B41J 11/0045

OTHER PUBLICATIONS

Amazon. Link: [https://www.amazon.com/Brother-TD-4650TNWB-Transfer-Barcodes-Bluetooth/dp/B08GL41GJL/ref=sr\\_1\\_1\\_?crd=1T827OXBPO4K&keywords=B08GL41GJL&qid=1648064334&s=industrial&prefix=b08gl41gjl%2Cindustrial%2C56&sr=1-1](https://www.amazon.com/Brother-TD-4650TNWB-Transfer-Barcodes-Bluetooth/dp/B08GL41GJL/ref=sr_1_1_?crd=1T827OXBPO4K&keywords=B08GL41GJL&qid=1648064334&s=industrial&prefix=b08gl41gjl%2Cindustrial%2C56&sr=1-1). Oct. 1, 2020. Brother TD-4650TNWB 4-inch Thermal Transfer Printer (Year: 2020).\*

YouTube. Link: <https://www.youtube.com/watch?v=vEP6V0yKc4c>. Feb. 4, 2020. Setting the Bottle Carriage on the TAL-3100R. (Year: 2020).\*

\* cited by examiner



*FIG. 1*

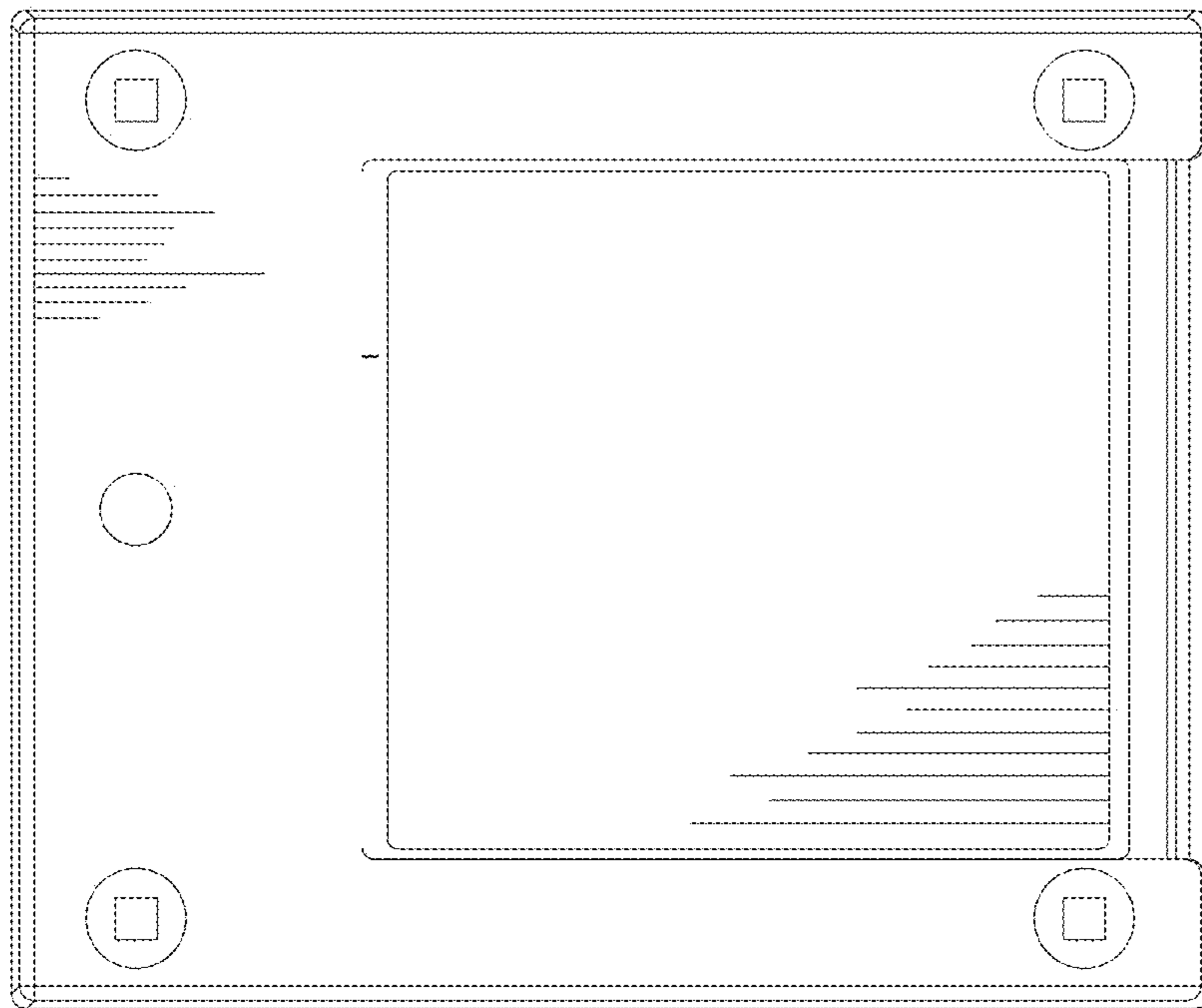
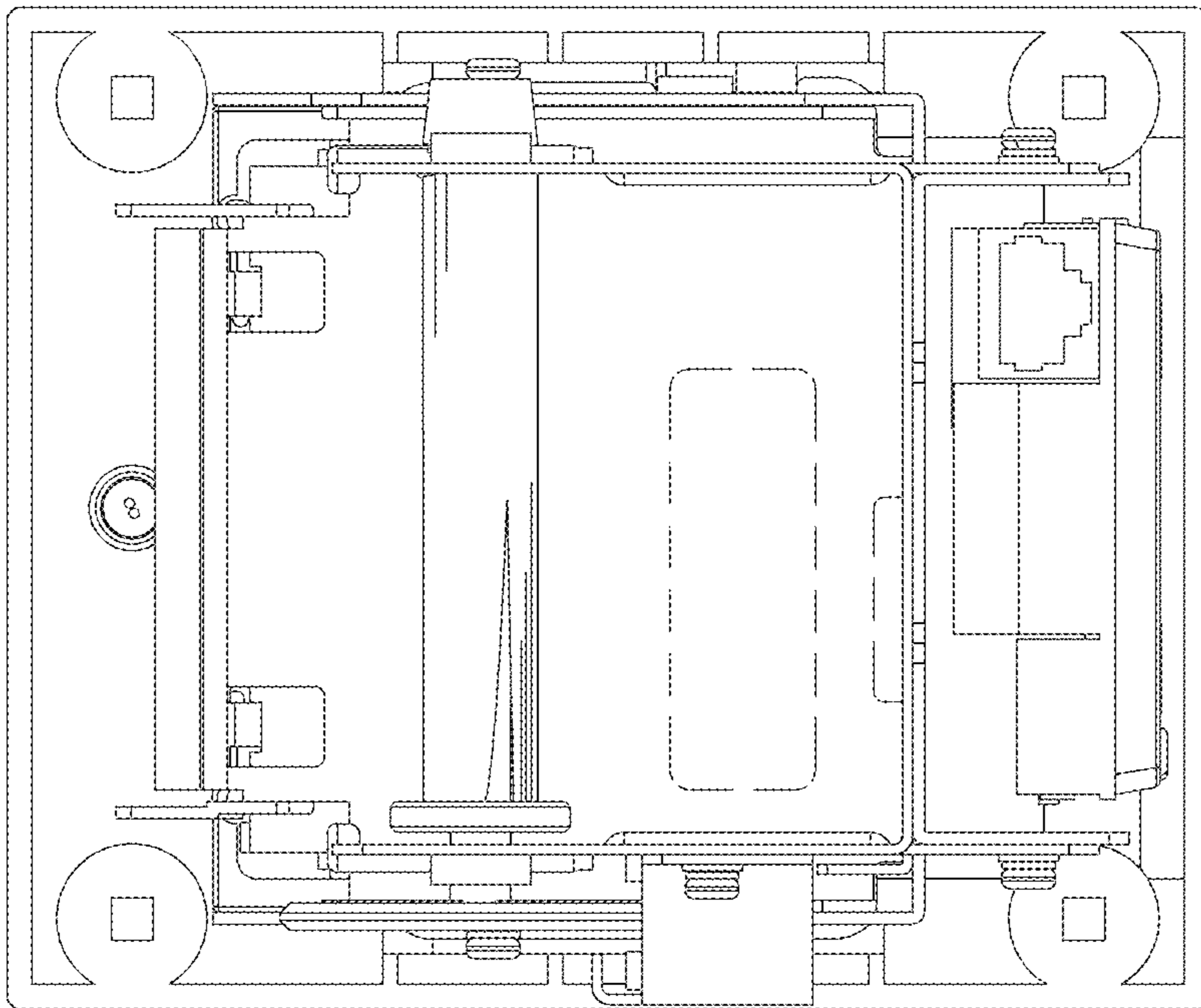
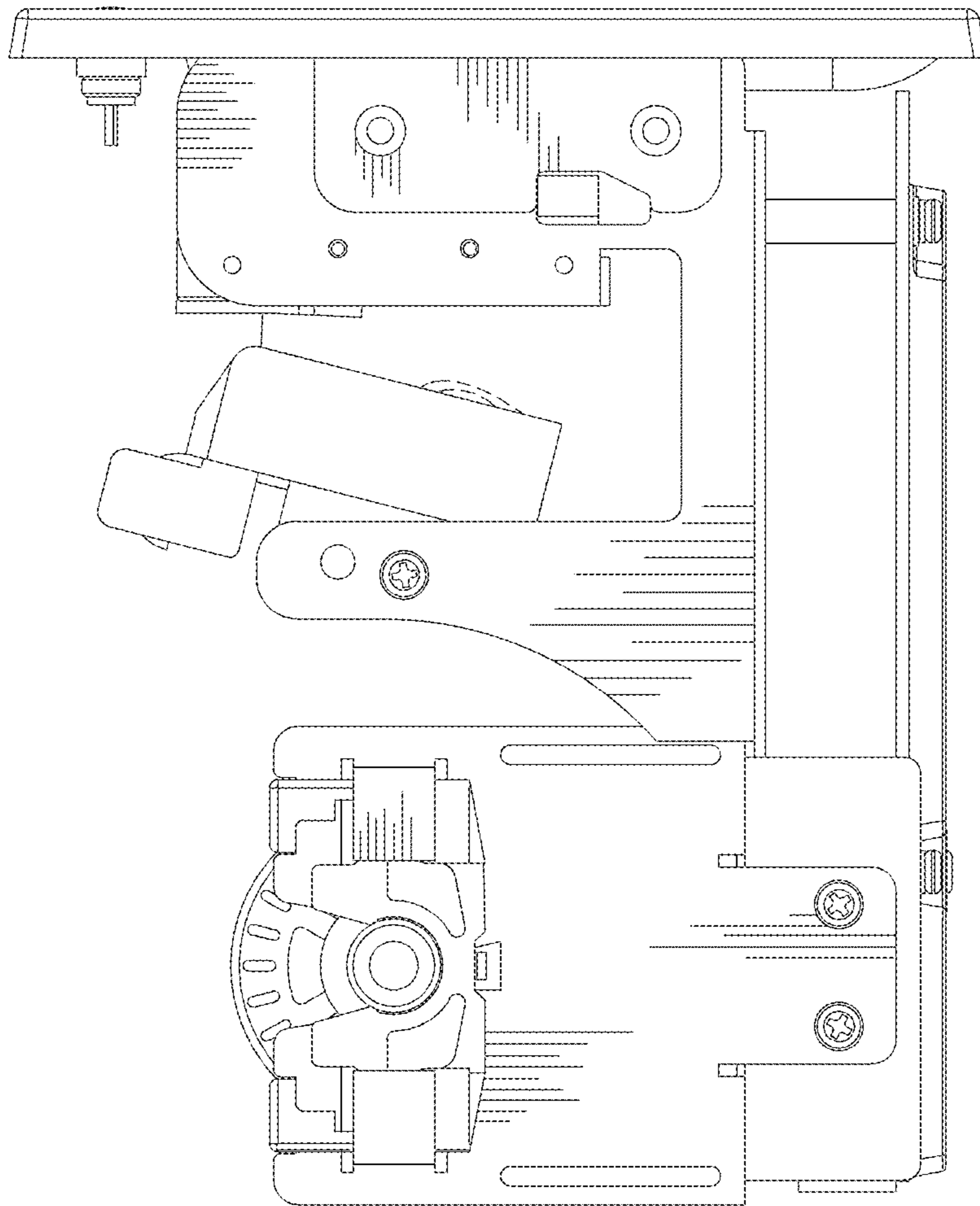


FIG. 2



*FIG. 3*



*FIG. 4*

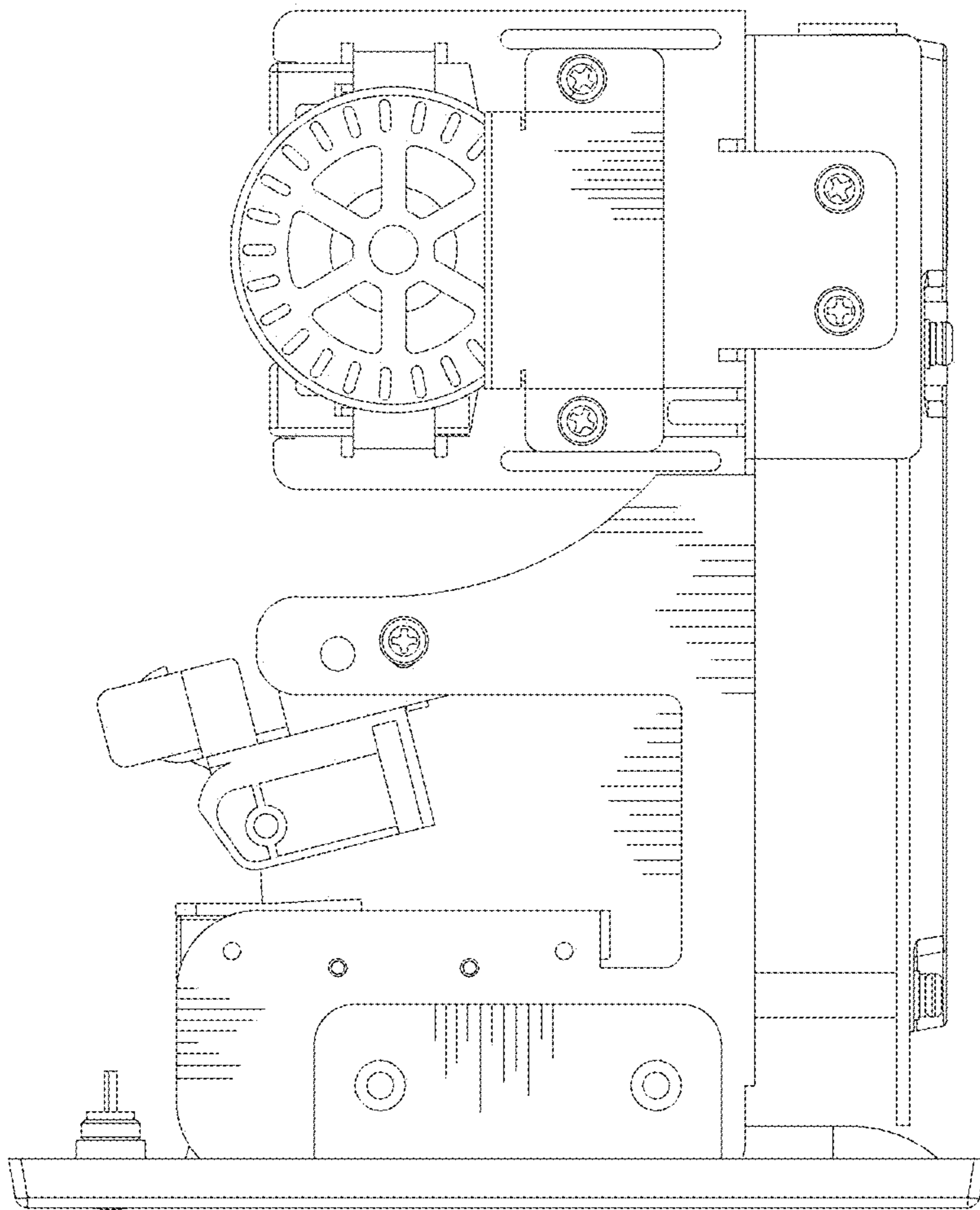
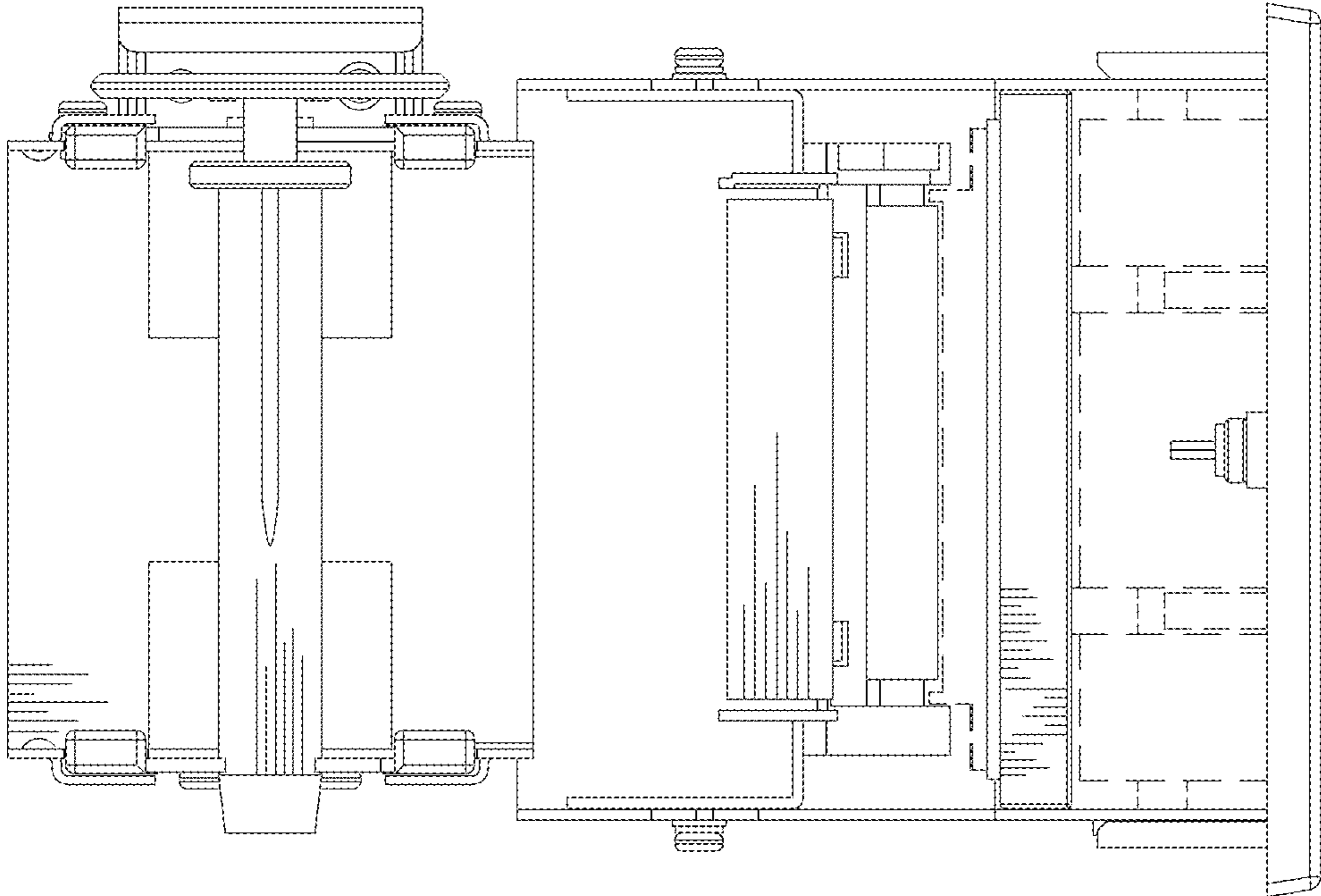
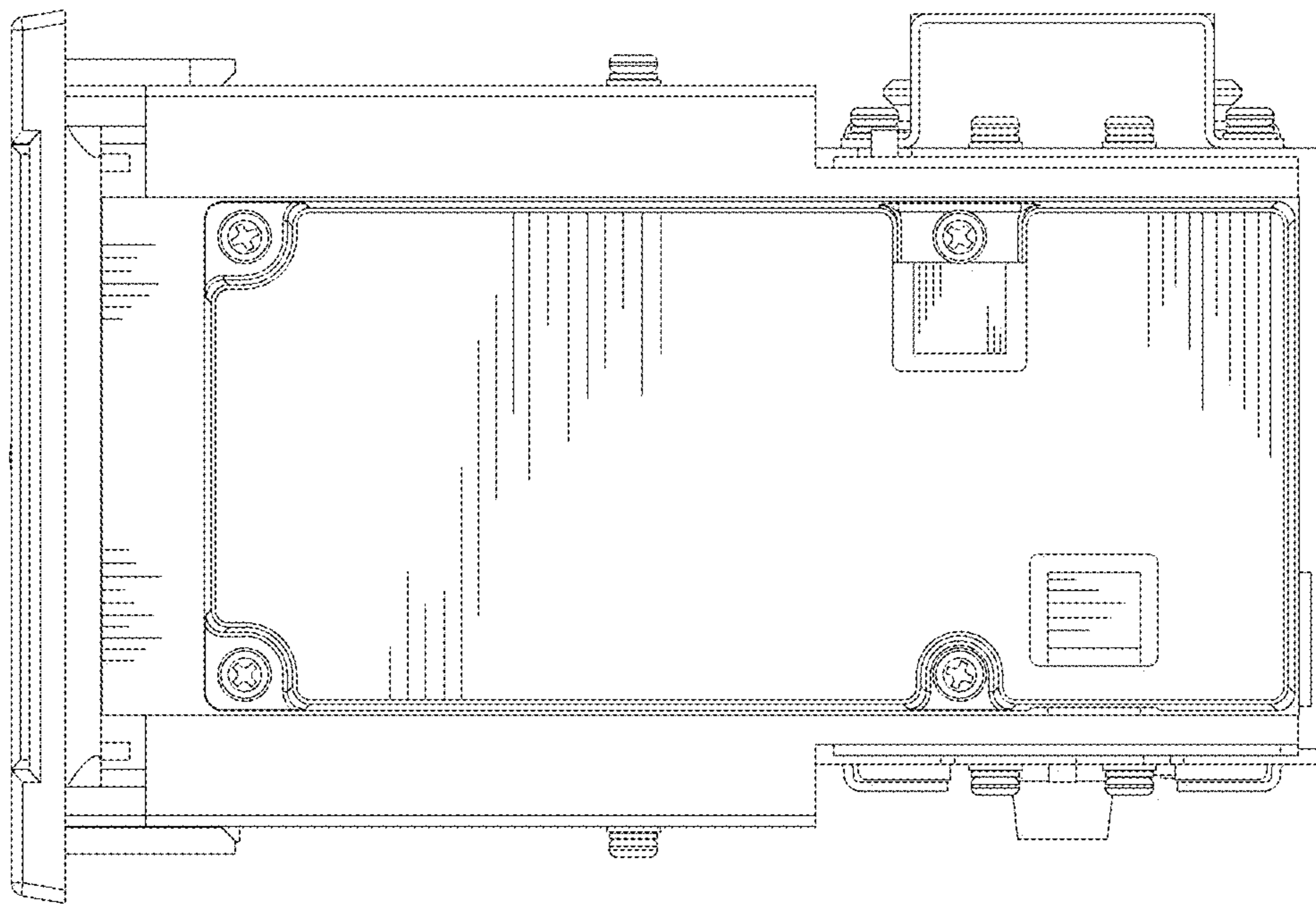


FIG. 5

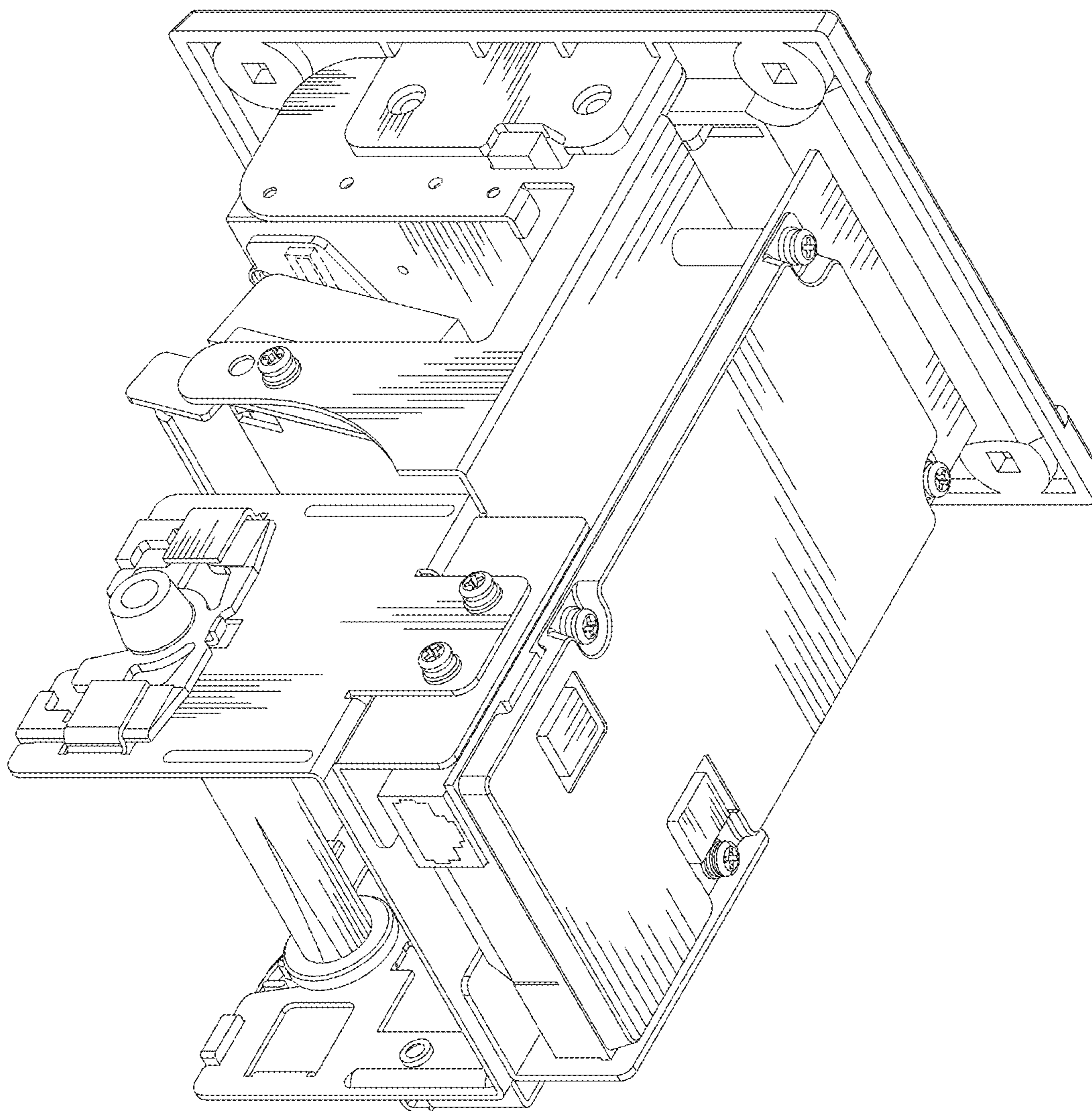


*FIG. 6*





*FIG. 7*



*FIG. 8*