



US00D980900S

(12) **United States Design Patent**
Owens

(10) **Patent No.:** **US D980,900 S**

(45) **Date of Patent:** **** Mar. 14, 2023**

(54) **HAND STAMPING PRESSURE TOOL**

(71) Applicant: **Linda Northcutt Owens**, Goose Creek, SC (US)

(72) Inventor: **Linda Northcutt Owens**, Goose Creek, SC (US)

(**) Term: **15 Years**

(21) Appl. No.: **29/809,711**

(22) Filed: **Sep. 29, 2021**

(51) **LOC (14) Cl.** **19-02**

(52) **U.S. Cl.**
USPC **D18/15**

(58) **Field of Classification Search**
USPC D18/14, 15, 16, 17, 18, 19, 50;
D19/65-71; D7/672
CPC . B41J 2/1752; B41J 3/36; B41J 29/023; B41J
2/17526; B41J 3/28; B41K 1/00; B41K
1/38; B41K 1/006; B41K 1/02; B41K
1/08; B41K 1/40; B41K 1/42; B41K
1/52; B41K 1/54; B41K 1/56; B41K
1/36; B23K 26/00; B23K 26/10; B41C
3/04; B41D 7/00

See application file for complete search history.

(56) **References Cited**

U.S. PATENT DOCUMENTS

D25,167 S *	2/1896	Strang	D7/682
D106,188 S *	9/1937	Forster	D18/15
D218,714 S *	9/1970	Erignac	D18/15
4,029,012 A *	6/1977	Smith, III	A61B 5/1172 283/901
D251,033 S *	2/1979	Gulinson	D18/15
D273,120 S *	3/1984	Ito	D18/15
D379,368 S *	5/1997	Harden	D18/15
D427,232 S *	6/2000	Carsel	D18/15
D428,048 S *	7/2000	Carsel	D18/15

D435,583 S *	12/2000	Robillard	D18/15
D444,807 S *	7/2001	Cheung	D18/15
D566,168 S *	4/2008	Yu	D18/15

(Continued)

FOREIGN PATENT DOCUMENTS

CN	306985488	*	12/2021
KR	301128358.0000	*	9/2021

OTHER PUBLICATIONS

Etsy. Link: <https://www.etsy.com/listing/1036159949/stamping-press-for-all-platforms-crazy>. Sep. 24, 2021. Stamping Press for all Platforms (Crazy Press tool). (Year: 2021).*

(Continued)

Primary Examiner — Lauren D McVey

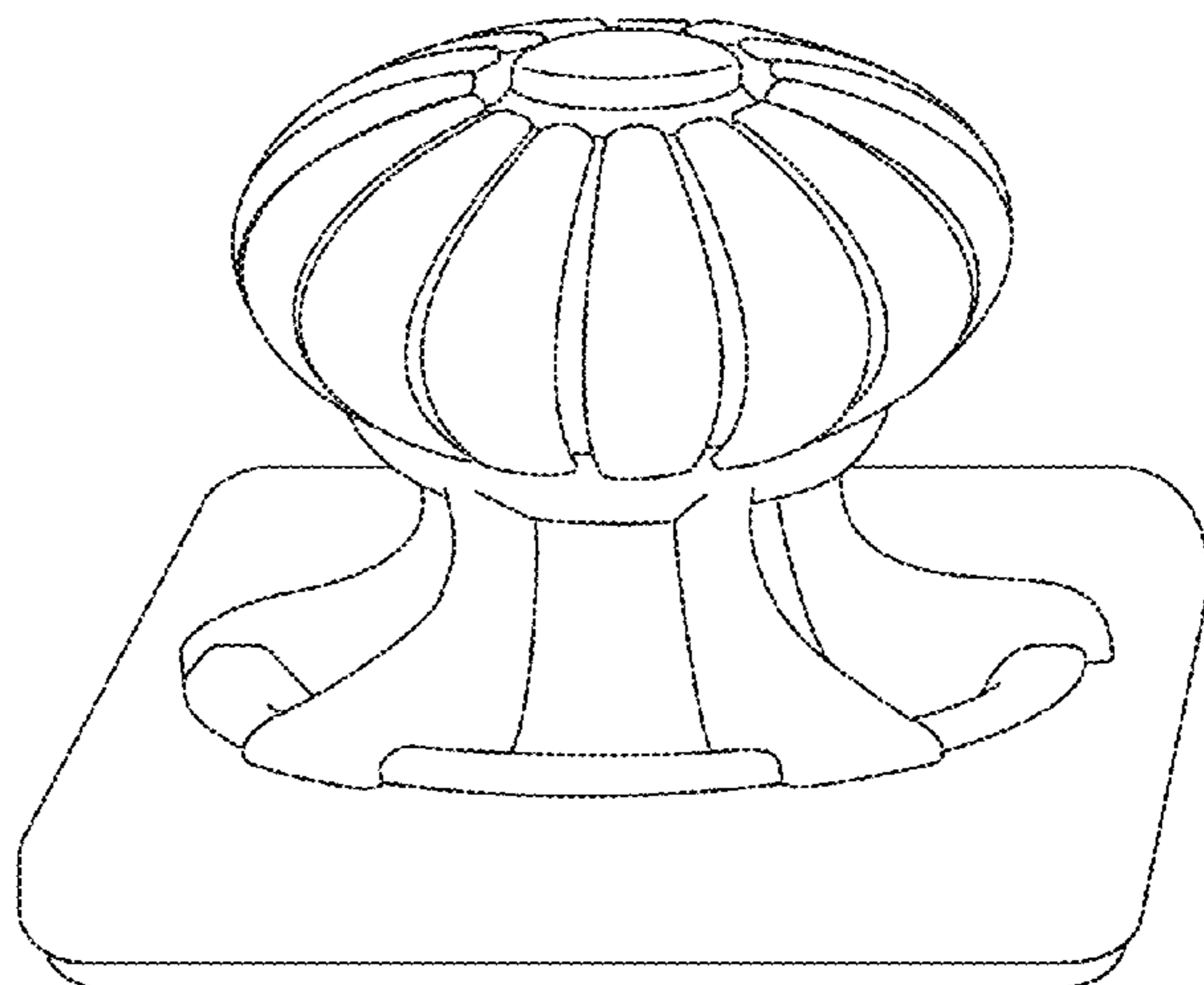
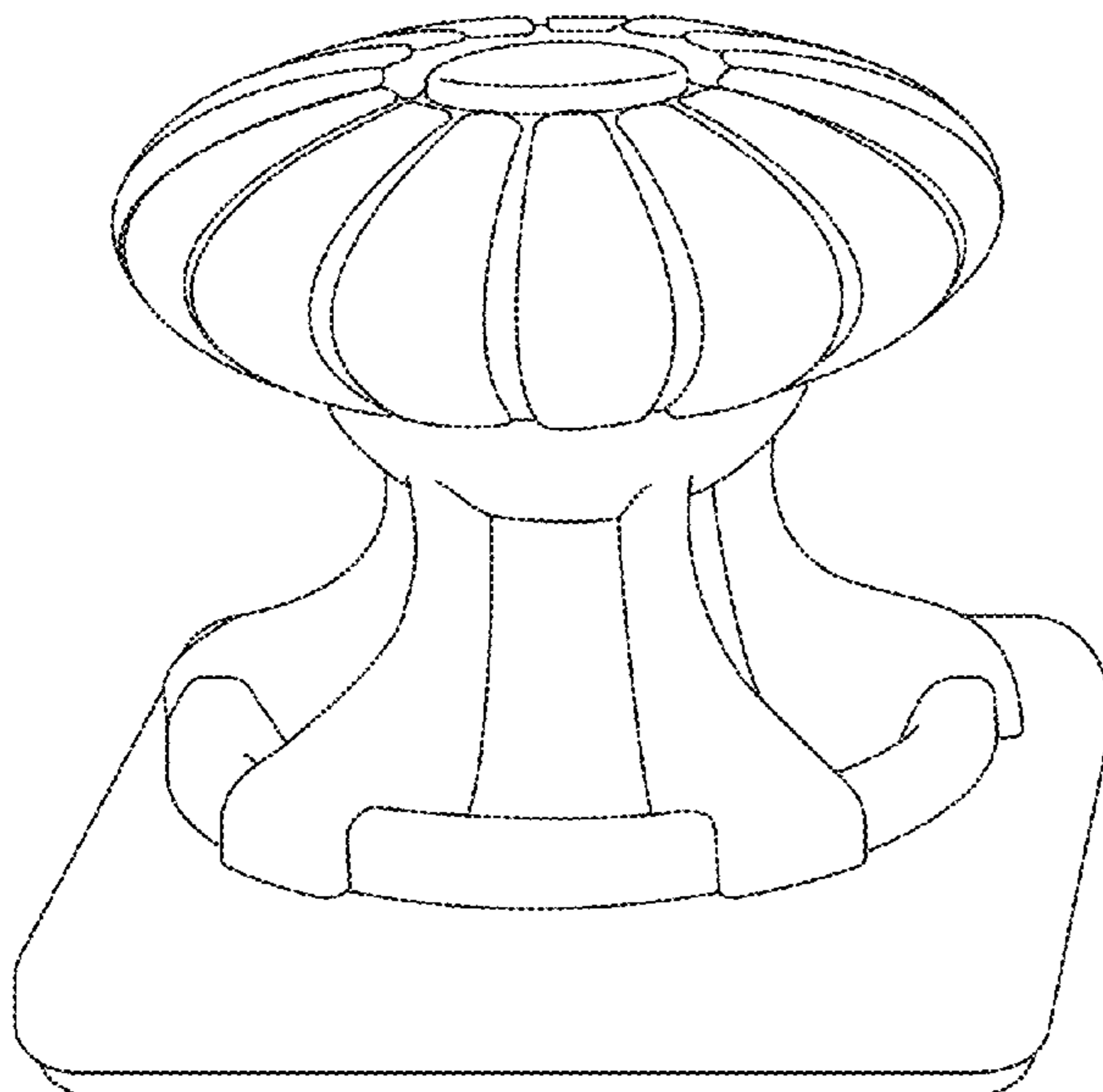
(57) **CLAIM**

The ornamental design for a hand stamping pressure tool, as shown and described.

DESCRIPTION

FIG. 1 is a top perspective view of a first embodiment of a hand stamping pressure tool showing my new design; FIG. 2 is a top plan view thereof; FIG. 3 is a bottom plan view thereof; FIG. 4 is a first side elevation view thereof; FIG. 5 is a second side elevation view thereof; FIG. 6 is a third side elevation view thereof; FIG. 7 is fourth side elevation view thereof; FIG. 8 is a top perspective view of a second embodiment of the hand stamping pressure tool showing my new design; FIG. 9 is a top plan view thereof; FIG. 10 is a bottom plan view thereof; FIG. 11 is a first side elevation view thereof; FIG. 12 is a second side elevation view thereof; FIG. 13 is a third side elevation view thereof; and, FIG. 14 is fourth side elevation view thereof.

1 Claim, 14 Drawing Sheets



(56)

References Cited

U.S. PATENT DOCUMENTS

D624,117 S * 9/2010 Voss D18/15

OTHER PUBLICATIONS

YouTube. Link: <https://www.youtube.com/watch?v=kUZudCZLQuk>.
May 7, 2021. How To Create Your Own Stamp Press Tool with the
Stencil Stop Stencil Holder. (Year: 2021).*

My Cluttered Corner. Link: <https://www.myclutteredcorner.com/2021/05/favorite-new-stamping-tool-and-quick.html>. May 23, 2021.
Favorite New Stamping Tool and Quick and Easy Father's Day
Cards + Youtube Giveaway! (Year: 2021).*

Amazon. Link: <https://www.amazon.com/Forever-Time-Clear-Stamp-Tool/dp/B007RUF0T2/>. May 7, 2012. Forever in Time Clear Stamp
Tool Set (Year: 2012).*

* cited by examiner

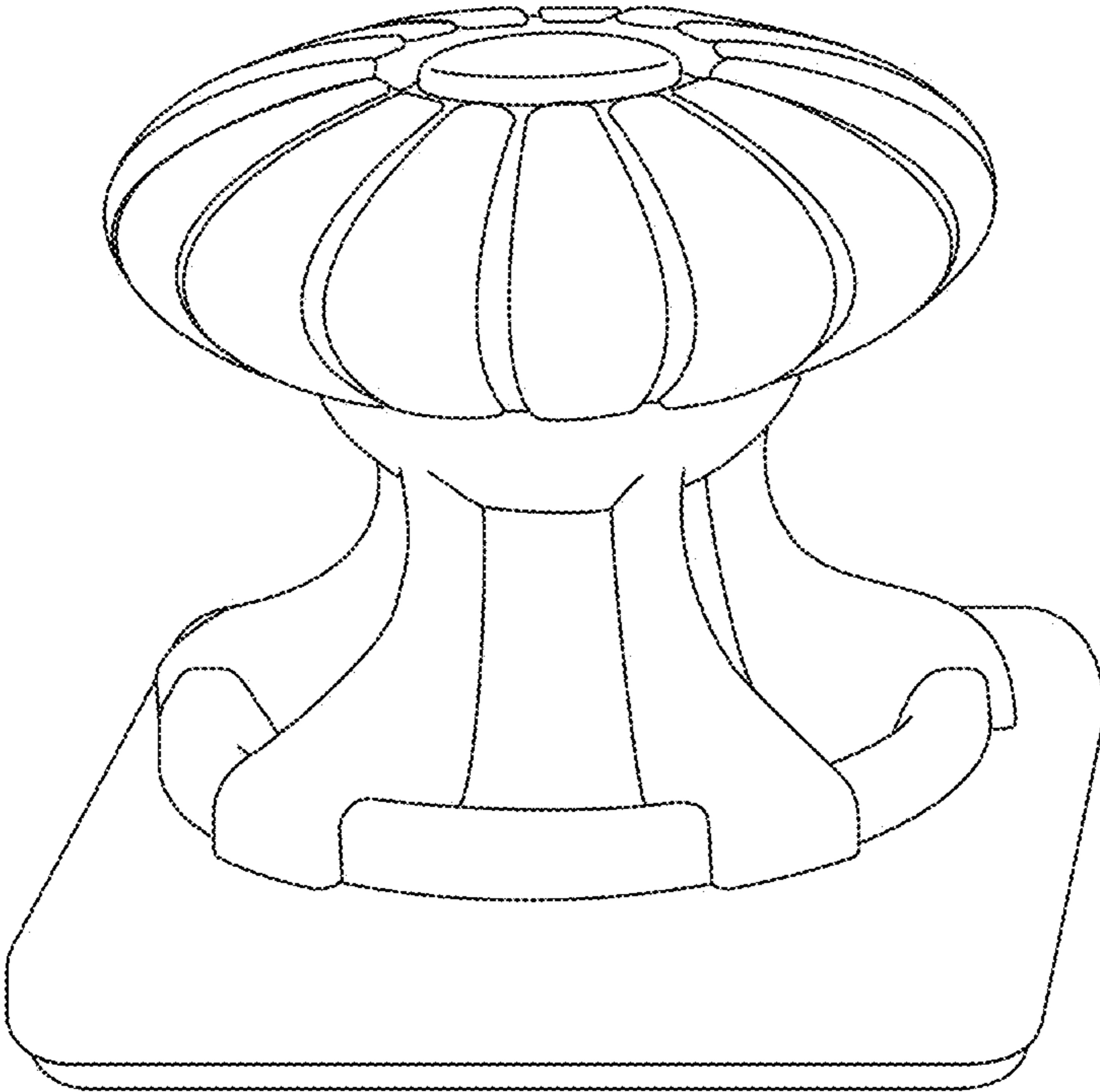


FIG. 1

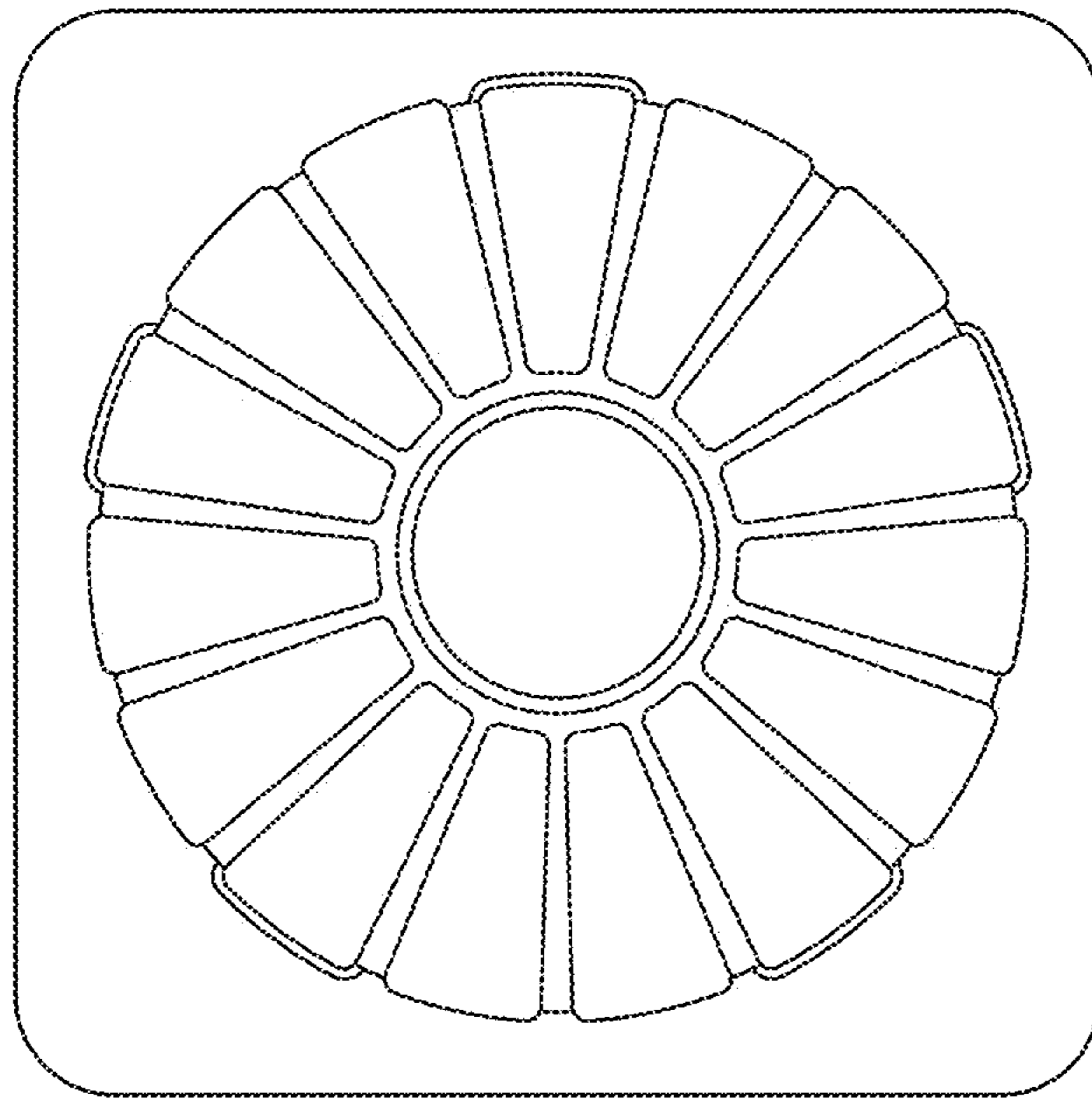


FIG. 2

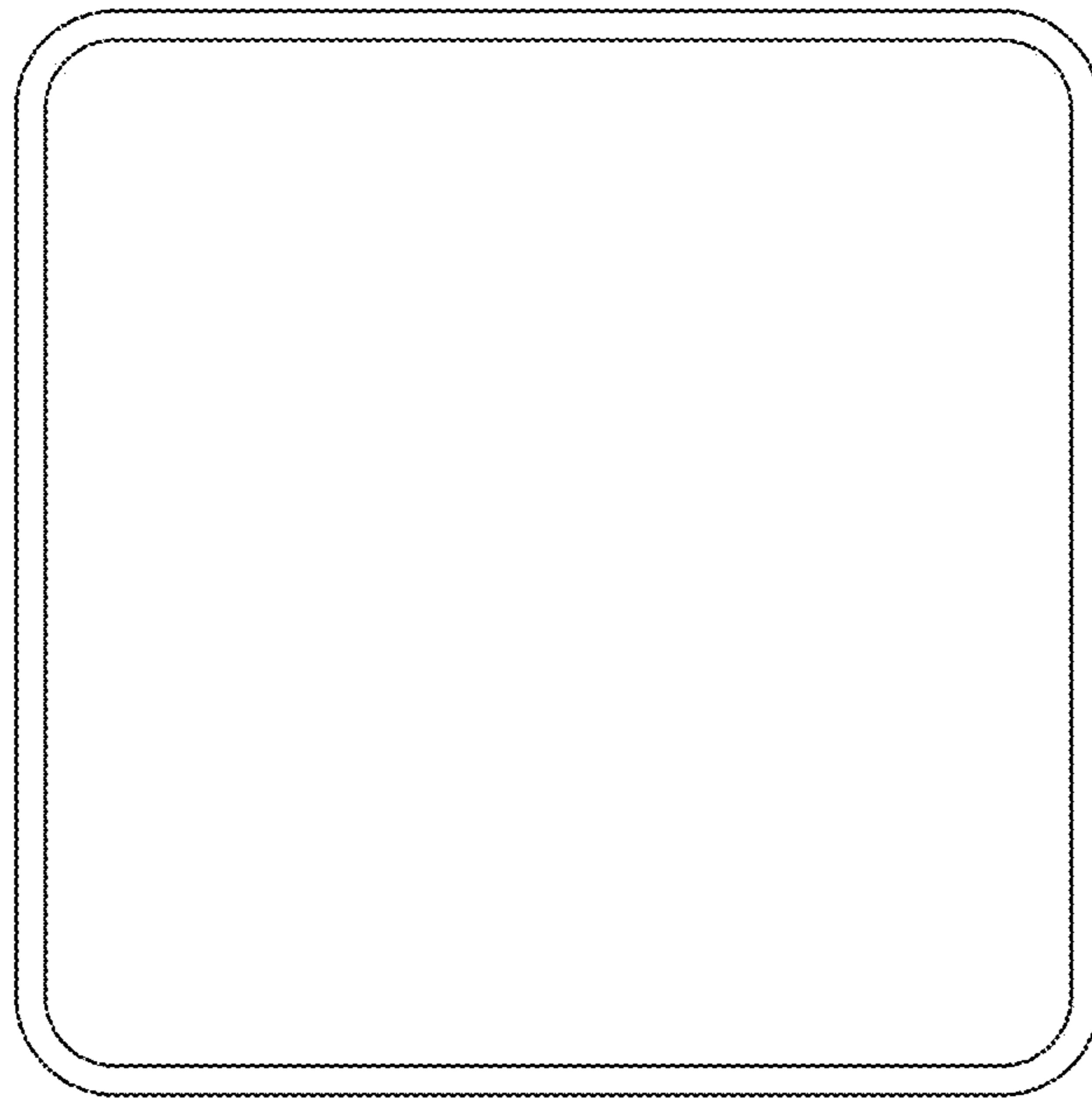


FIG. 3

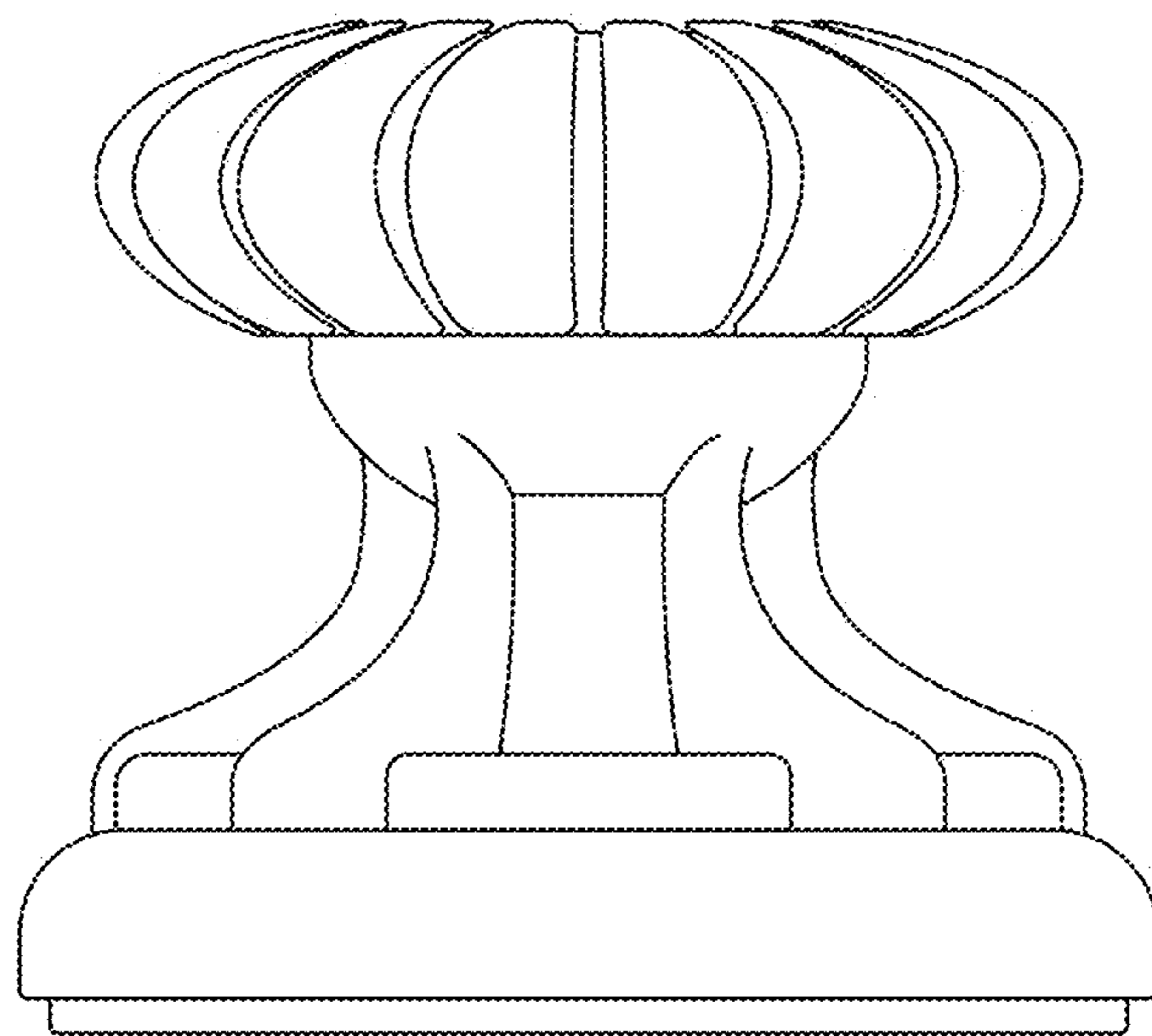


FIG. 4

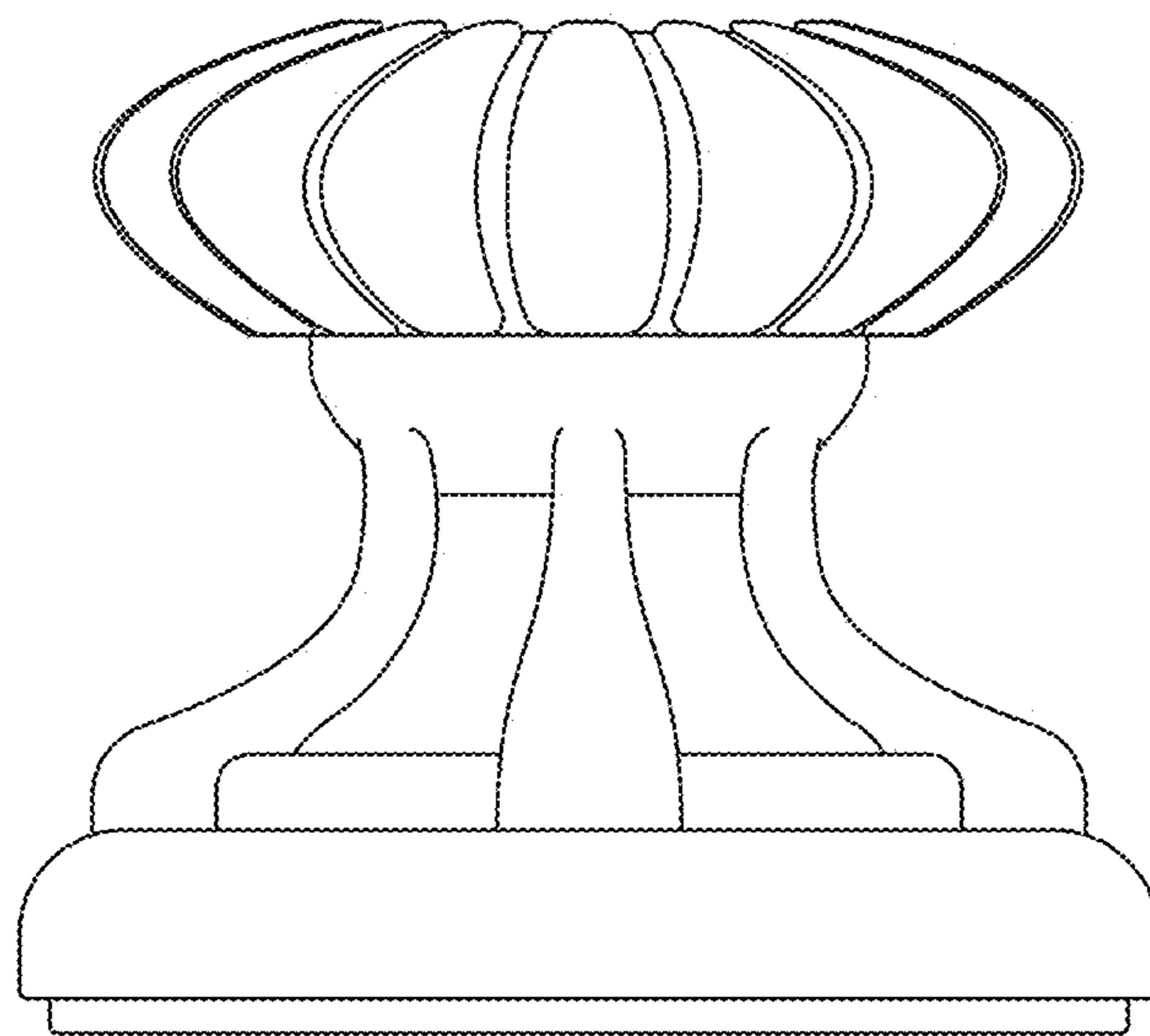


FIG. 5

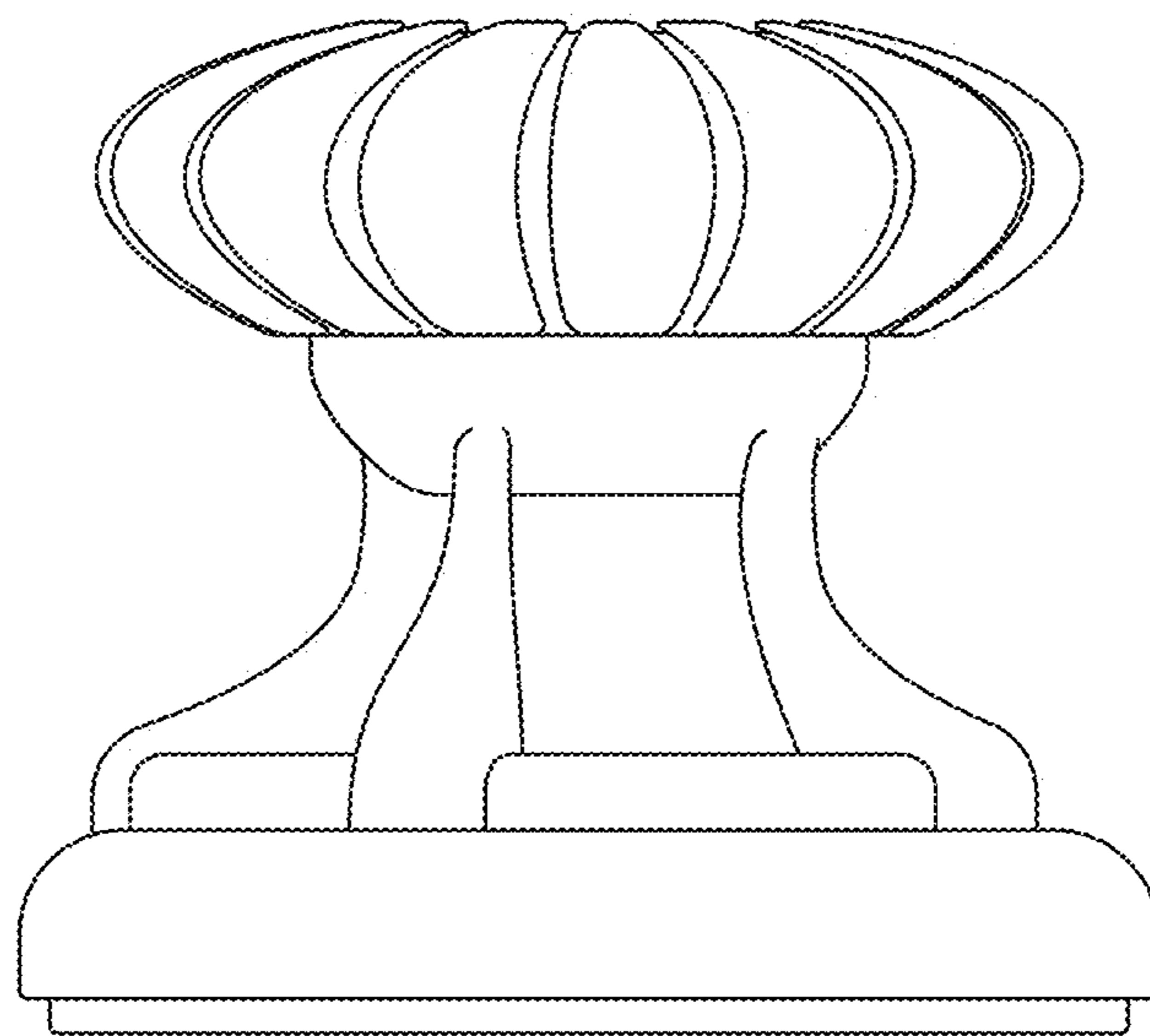


FIG. 6

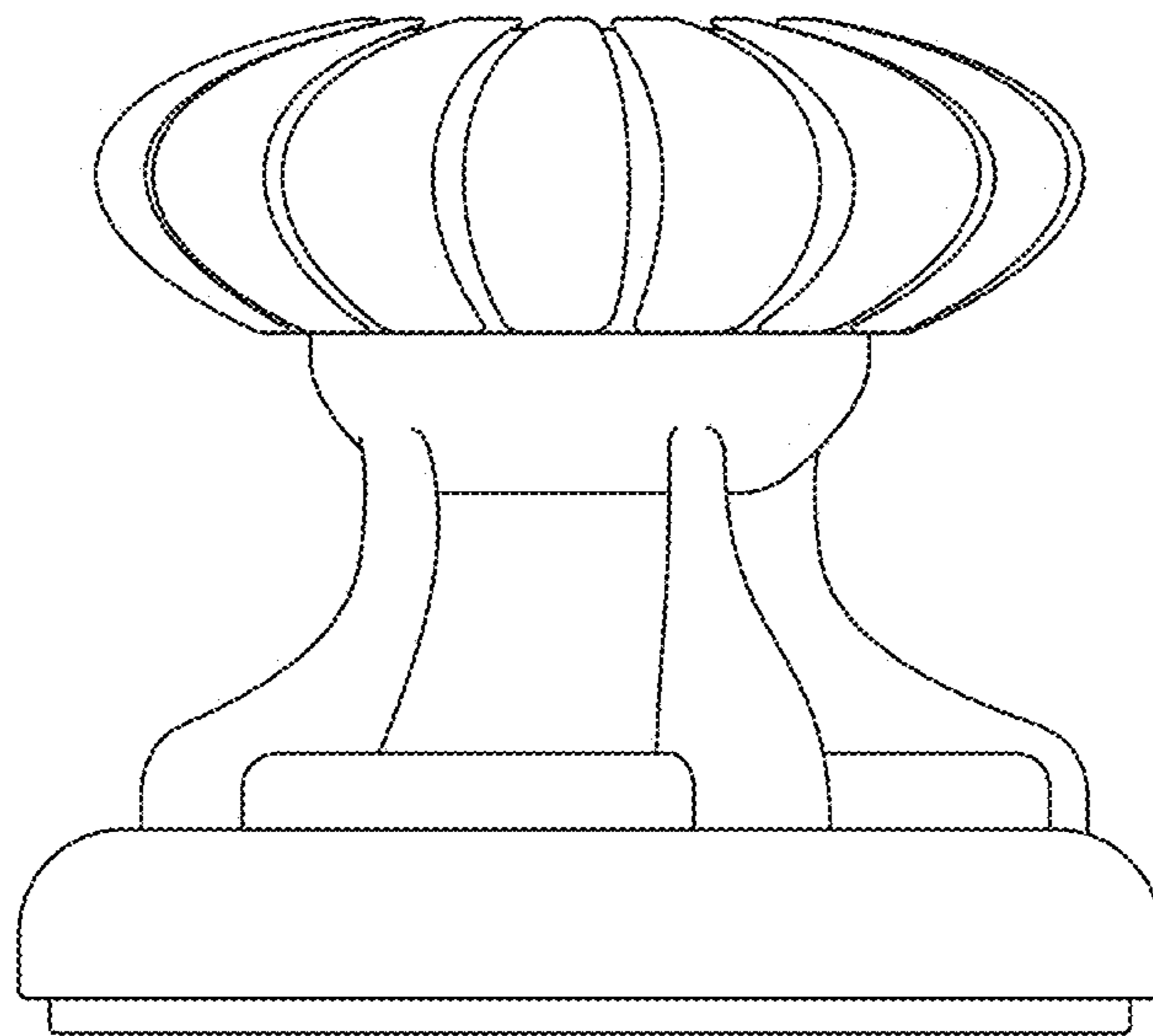


FIG. 7

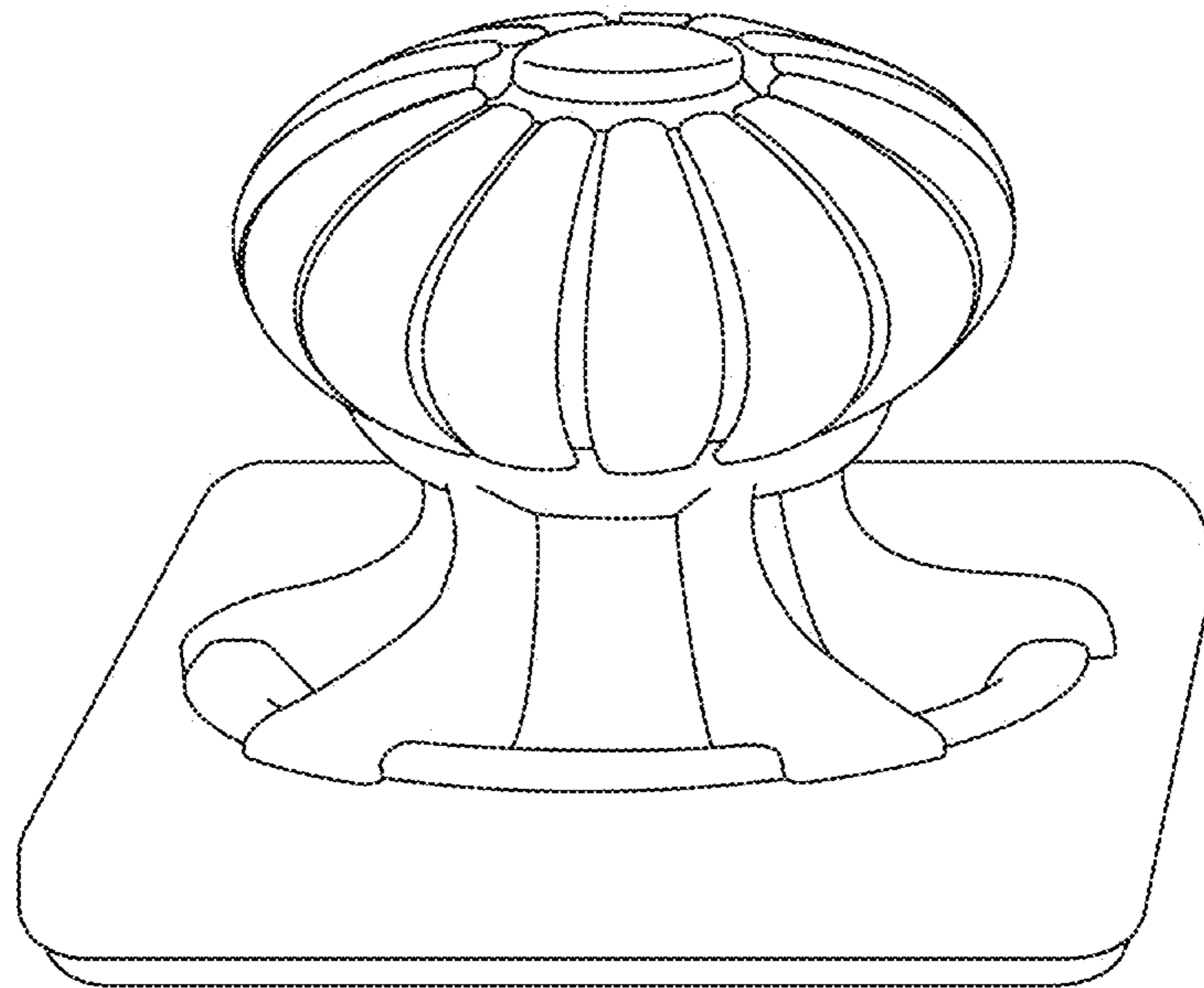


FIG. 8

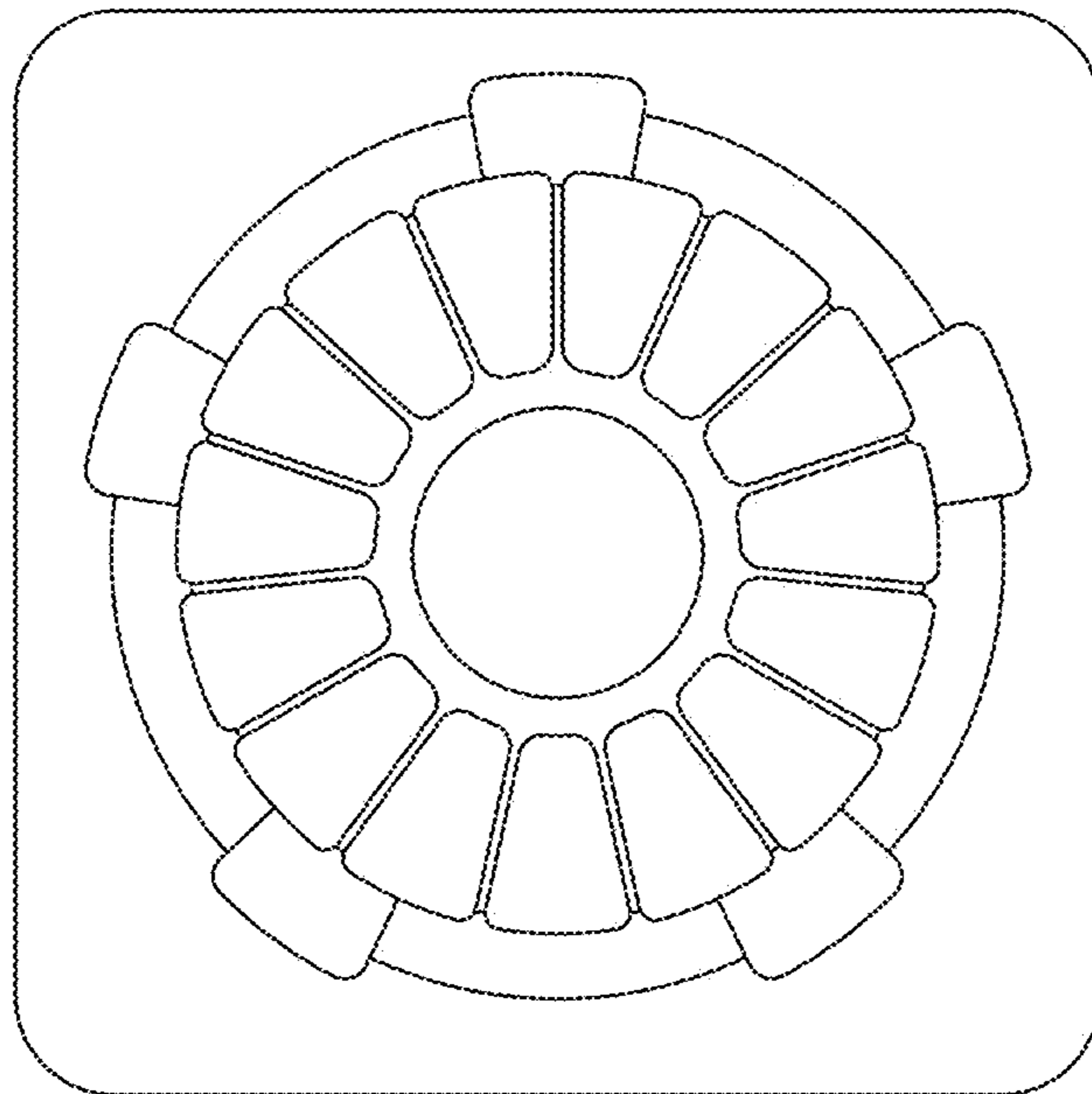


FIG. 9

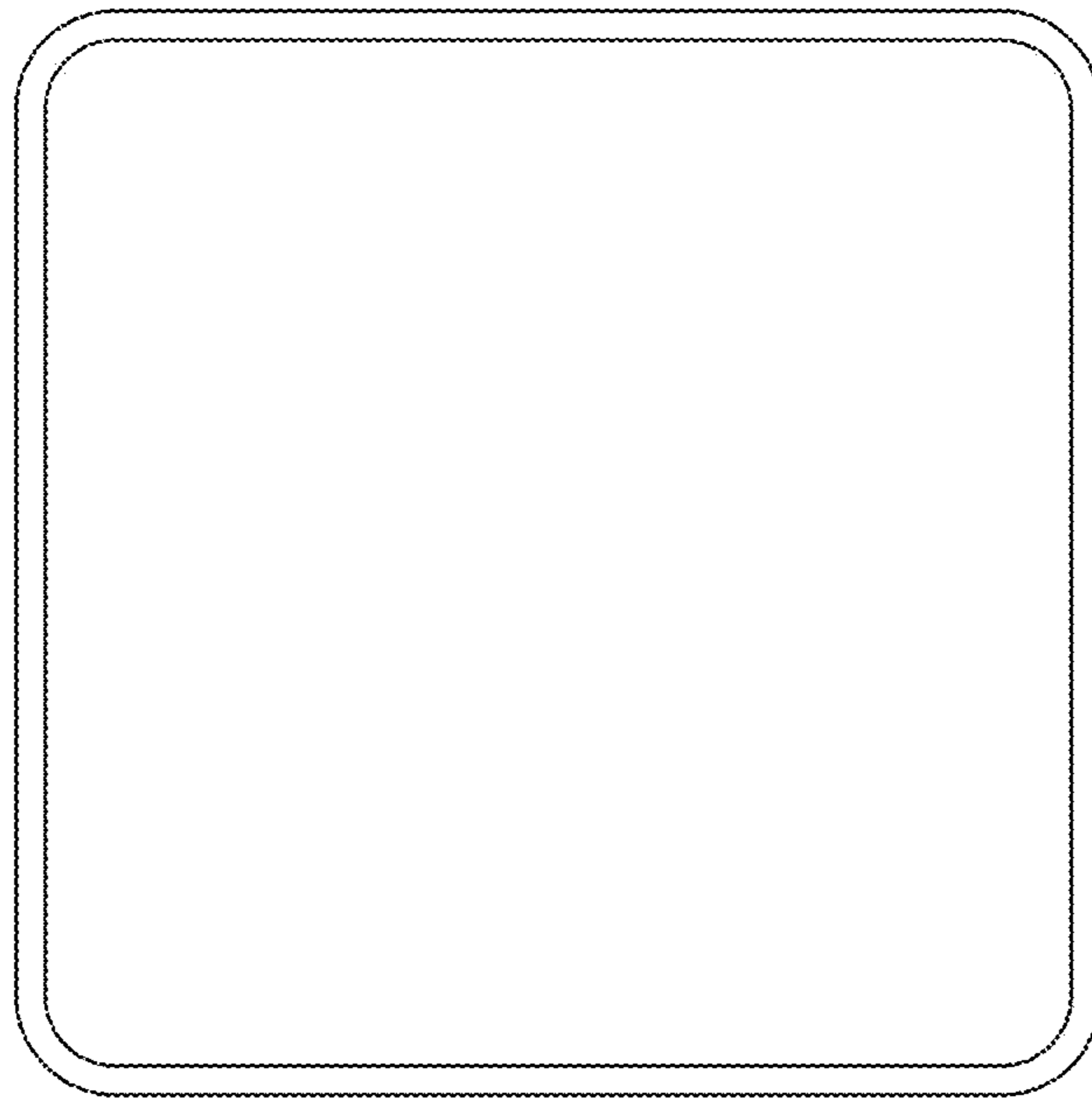


FIG. 10

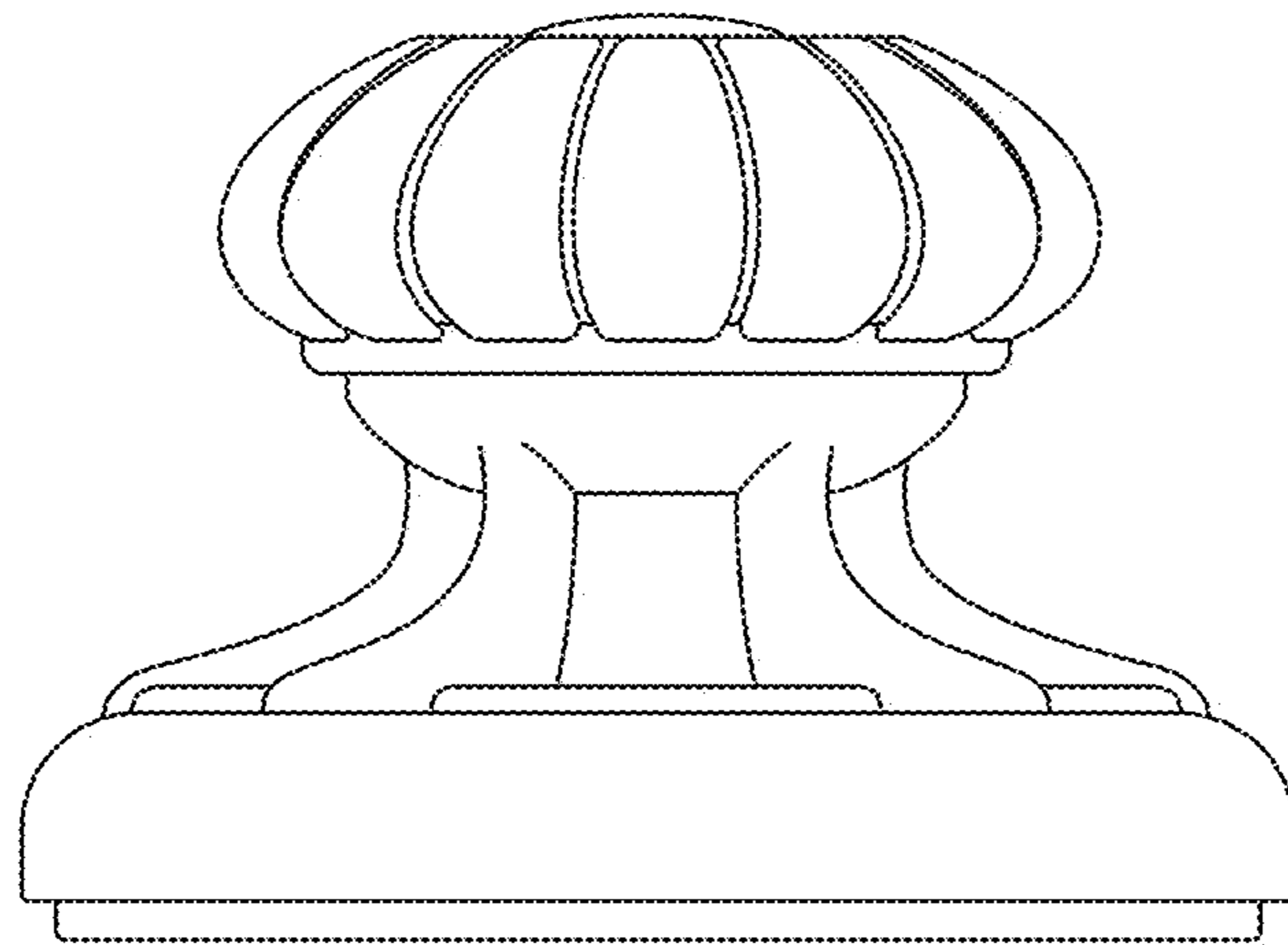


FIG. 11

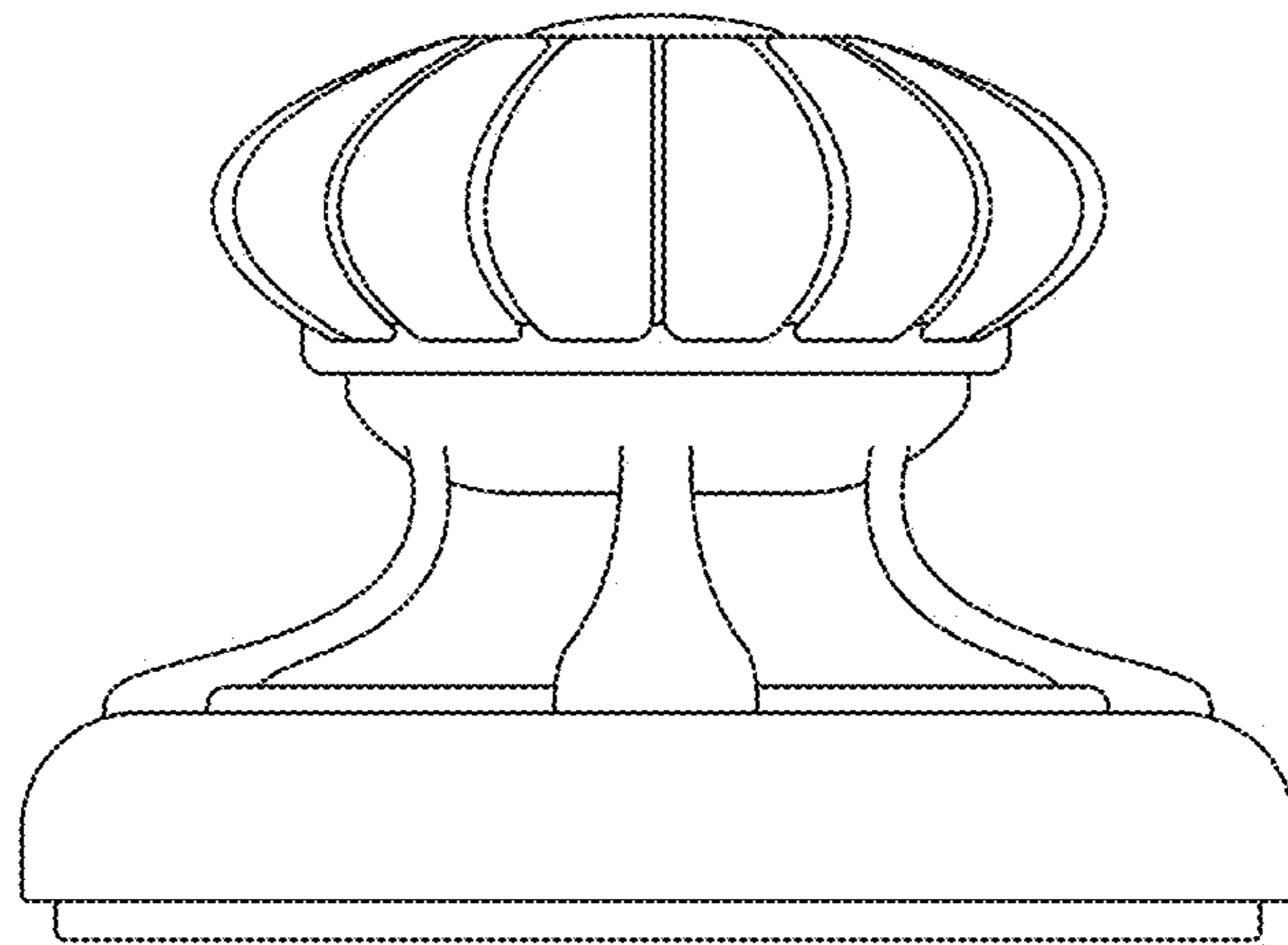


FIG. 12

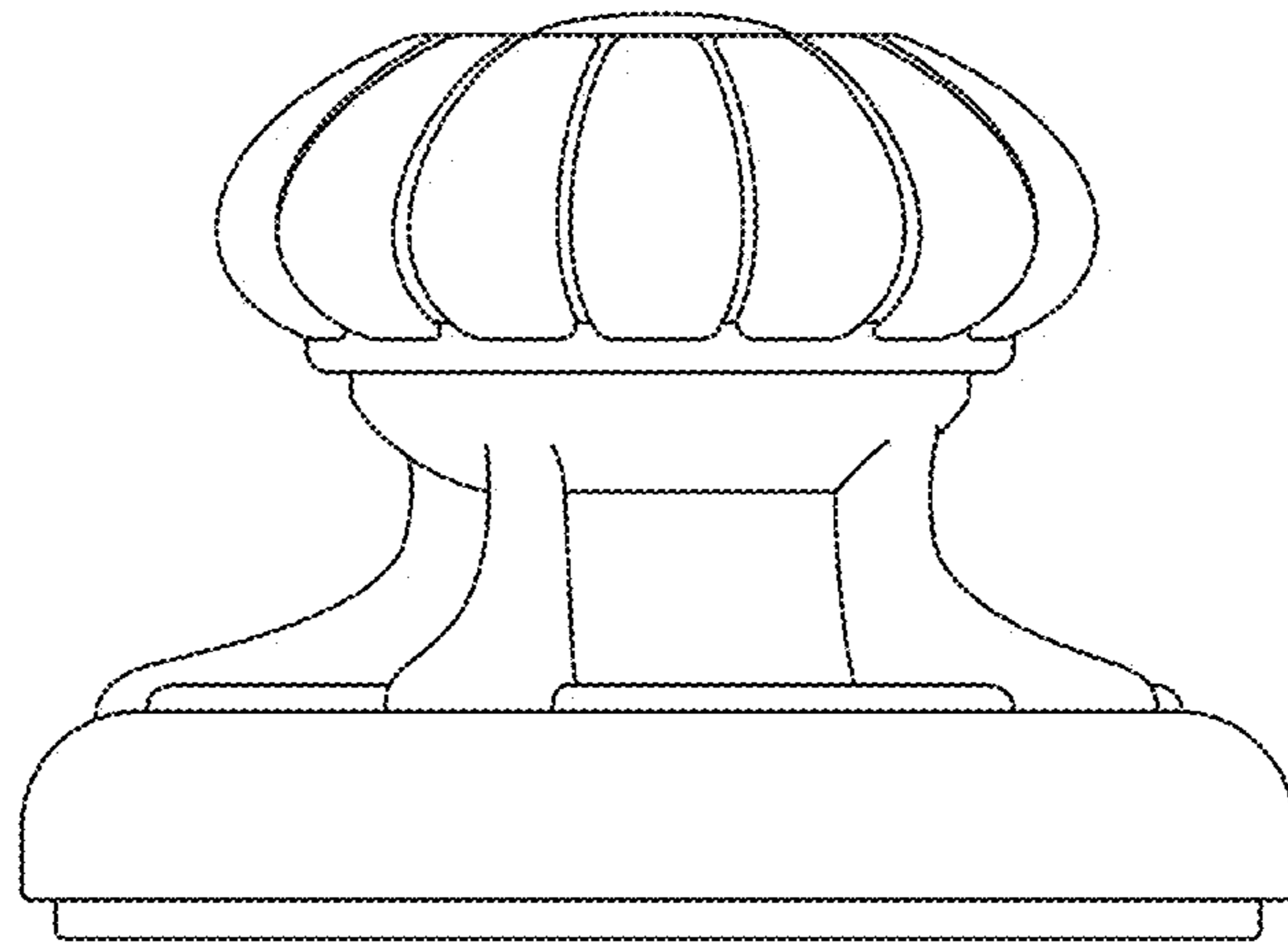


FIG. 13

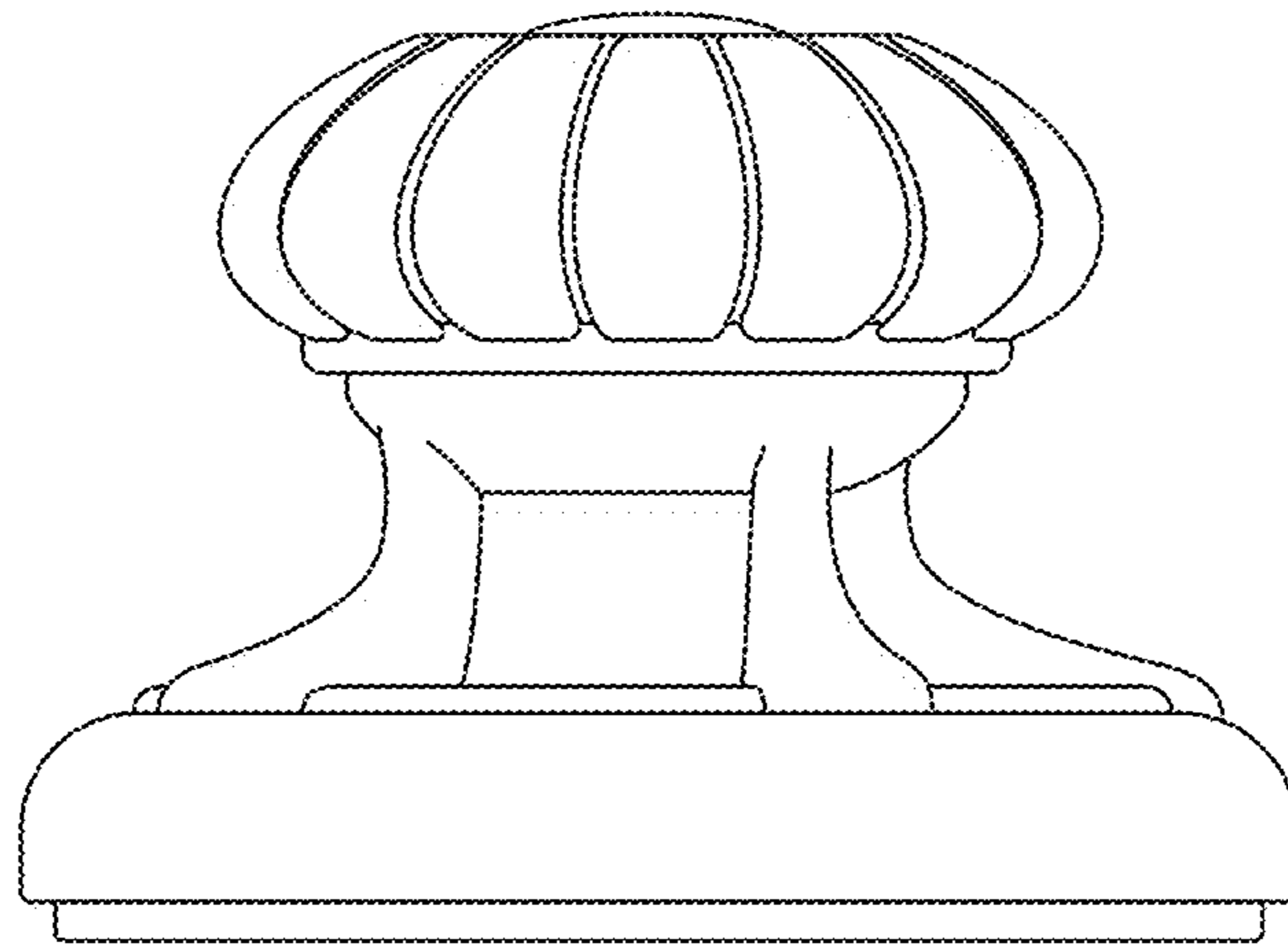


FIG. 14