



US00D980899S

(12) **United States Design Patent**  
**Templeton**

(10) **Patent No.:** **US D980,899 S**

(45) **Date of Patent:** **\*\* Mar. 14, 2023**

(54) **GUITAR NECK**

(71) Applicant: **Christopher N. Templeton**, Winooski, VT (US)

(72) Inventor: **Christopher N. Templeton**, Winooski, VT (US)

(\*\*) Term: **15 Years**

(21) Appl. No.: **29/771,430**

(22) Filed: **Feb. 23, 2021**

(51) **LOC (14) Cl.** ..... **17-03**

(52) **U.S. Cl.**  
USPC ..... **D17/14**

(58) **Field of Classification Search**  
USPC ..... D17/14, 18, 19, 20, 99  
CPC .. G10D 1/00; G10D 1/05; G10D 1/08; G10D 3/00; G10D 3/06; G10D 3/10; G10G 7/005

See application file for complete search history.

(56) **References Cited**

**U.S. PATENT DOCUMENTS**

- 3,072,007 A \* 1/1963 Burke ..... G10D 1/085 D17/14
- 3,943,816 A \* 3/1976 Goursau ..... G10D 1/08 984/115

- 4,126,072 A \* 11/1978 Taylor ..... G10D 3/06 84/173
- D255,462 S \* 6/1980 Todd, III ..... D17/20
- D315,744 S \* 3/1991 Lerch ..... D17/14
- D410,671 S \* 6/1999 Aleksa ..... D17/99
- D411,566 S \* 6/1999 Dipinto ..... D17/14
- D738,954 S \* 9/2015 Panagiotes ..... D17/20
- 2003/0010181 A1 \* 1/2003 Takeuchi ..... G10D 3/06 84/293

\* cited by examiner

*Primary Examiner* — R. Johnson

(74) *Attorney, Agent, or Firm* — Larry D. Johnson

(57) **CLAIM**

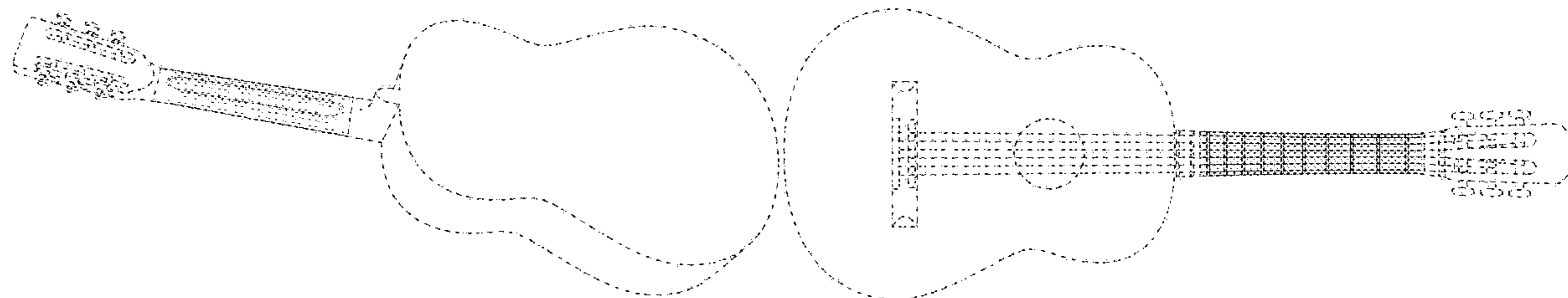
The ornamental design for a guitar neck, as shown and described.

**DESCRIPTION**

FIG. 1 is a rear perspective view thereof;  
FIG. 2 is a rear elevation view thereof;  
FIG. 3 is a front elevation view thereof; and,  
FIG. 4 is a right side elevation view thereof, the left side being a mirror image.

The broken lines shown in the figures are for environmental purpose, and form no part of the claimed design.

**1 Claim, 4 Drawing Sheets**



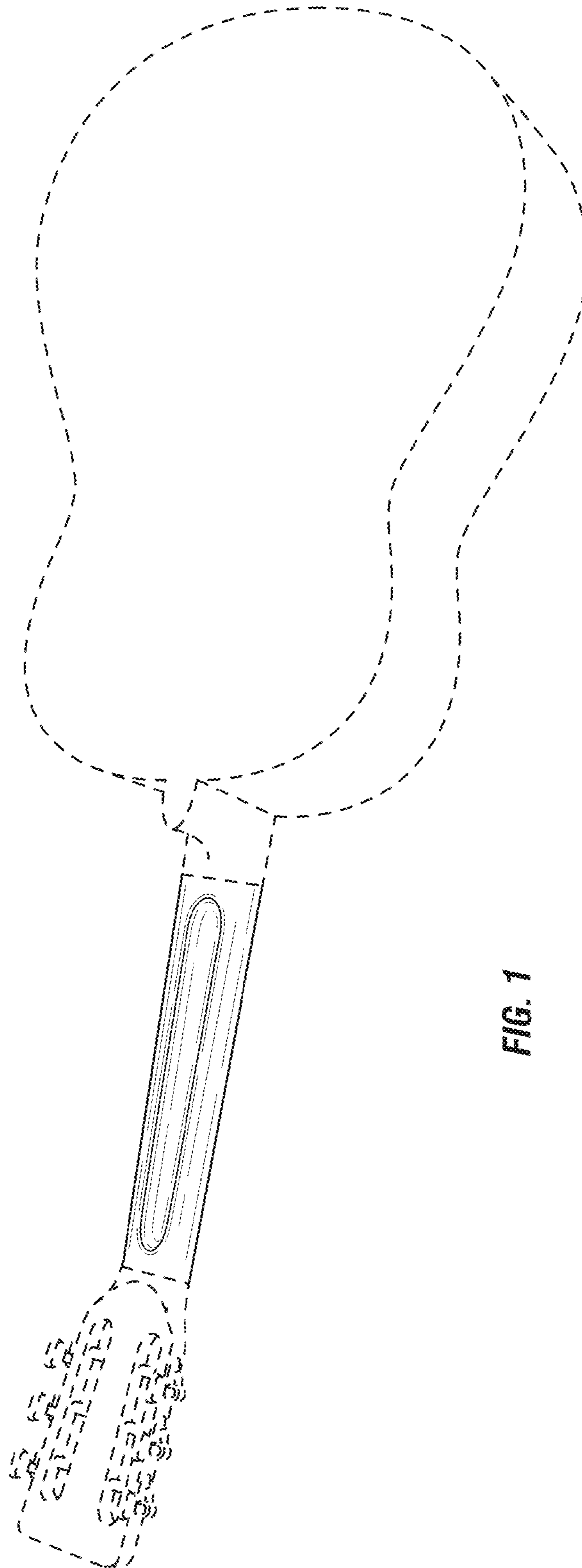


FIG. 1

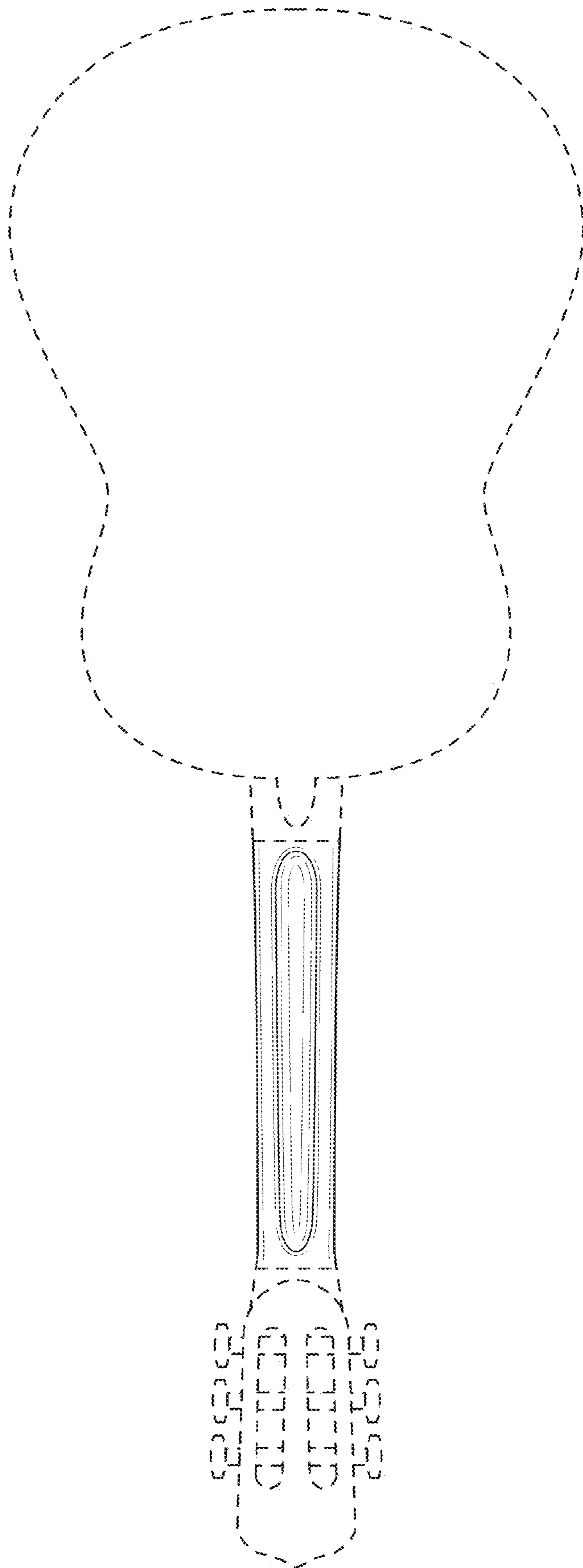


FIG. 2

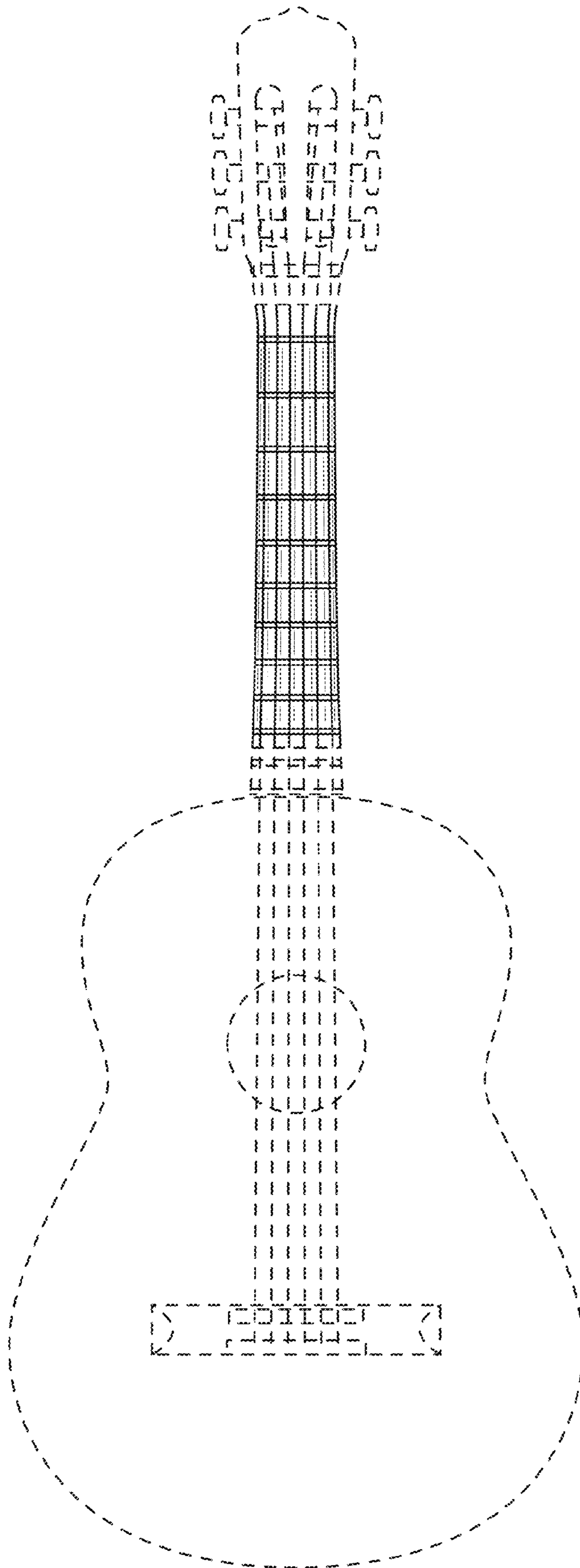


FIG. 3

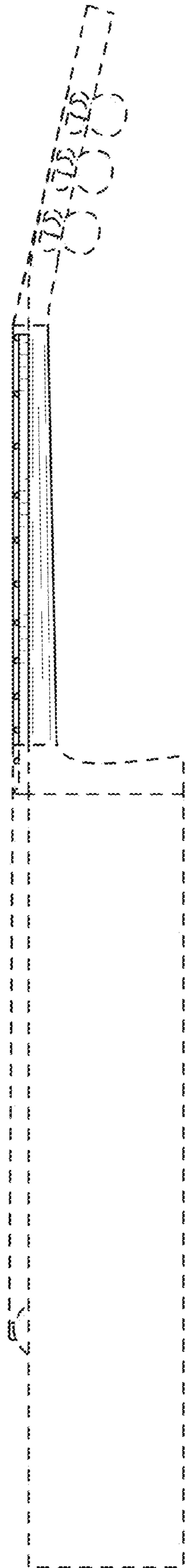


FIG. 4