



US00D980898S

(12) **United States Design Patent** (10) **Patent No.:** **US D980,898 S**
De Faveri (45) **Date of Patent:** **** Mar. 14, 2023**

(54) **CAMERA MOUNT**

FOREIGN PATENT DOCUMENTS

(71) Applicant: **VITEC IMAGING SOLUTIONS S.p.A.**, Cassola (IT)

CN 300997973 * 9/2009
CN 305098903 * 4/2019

(Continued)

(72) Inventor: **Massimo De Faveri**, Mussolente (IT)

OTHER PUBLICATIONS

(73) Assignee: **VITEC IMAGING SOLUTIONS S.P.A.**, Cassola (IT)

Manfrotto Befree 3-Way Live Advanced Camera Tripod, product available Apr. 1, 2020 [online], video review Dec. 28, 2020 [online], [site visited Jan. 27, 2022]:URL:<https://www.amazon.com/gp/product/B086MNYZJ/ref=sw_img_1?smid=A17MC6HOH9AVE6&pssc=1> (Year: 2020).*

(**) Term: **15 Years**

(Continued)

(21) Appl. No.: **29/745,291**

(22) Filed: **Aug. 5, 2020**

(30) **Foreign Application Priority Data**

Feb. 11, 2020 (EM) 007688569

(51) **LOC (14) Cl.** **16-05**

(52) **U.S. Cl.**
USPC **D16/242**

(58) **Field of Classification Search**
USPC D8/300, 303, 306, 307, 321, 323, 324, D8/325, 349, 363, 373, 394; D14/313, D14/316, 317, 324, 341, 372, 375, 376, D14/377, 432, 203.3, 203.5, 482, 224, D14/217, 229, 250, 251, 345, 253; D16/206, 211, 214, 234, 235, 236, 239, D16/242, 243, 244, 245, 250, 237, 136, D16/240, 203.8, 194, 195, 208, 219; D21/329, 330, 331, 333, 385, 514
CPC F16M 11/00; F16M 11/06; F16M 11/08; F16M 11/10; F16M 11/14; F16M 11/18; F16M 11/20; F16M 11/041; F16M 11/105; F16M 11/2007; F16M 11/2014; F16M

(Continued)

(56) **References Cited**

U.S. PATENT DOCUMENTS

2,429,803 A * 10/1947 Cardona F16M 11/10
248/183.1
4,085,915 A * 4/1978 Song F16M 11/041
248/187.1

(Continued)

Primary Examiner — Bao-Yen T Nguyen

Assistant Examiner — Loryn K. Leblanc

(74) *Attorney, Agent, or Firm* — Volpe Koenig

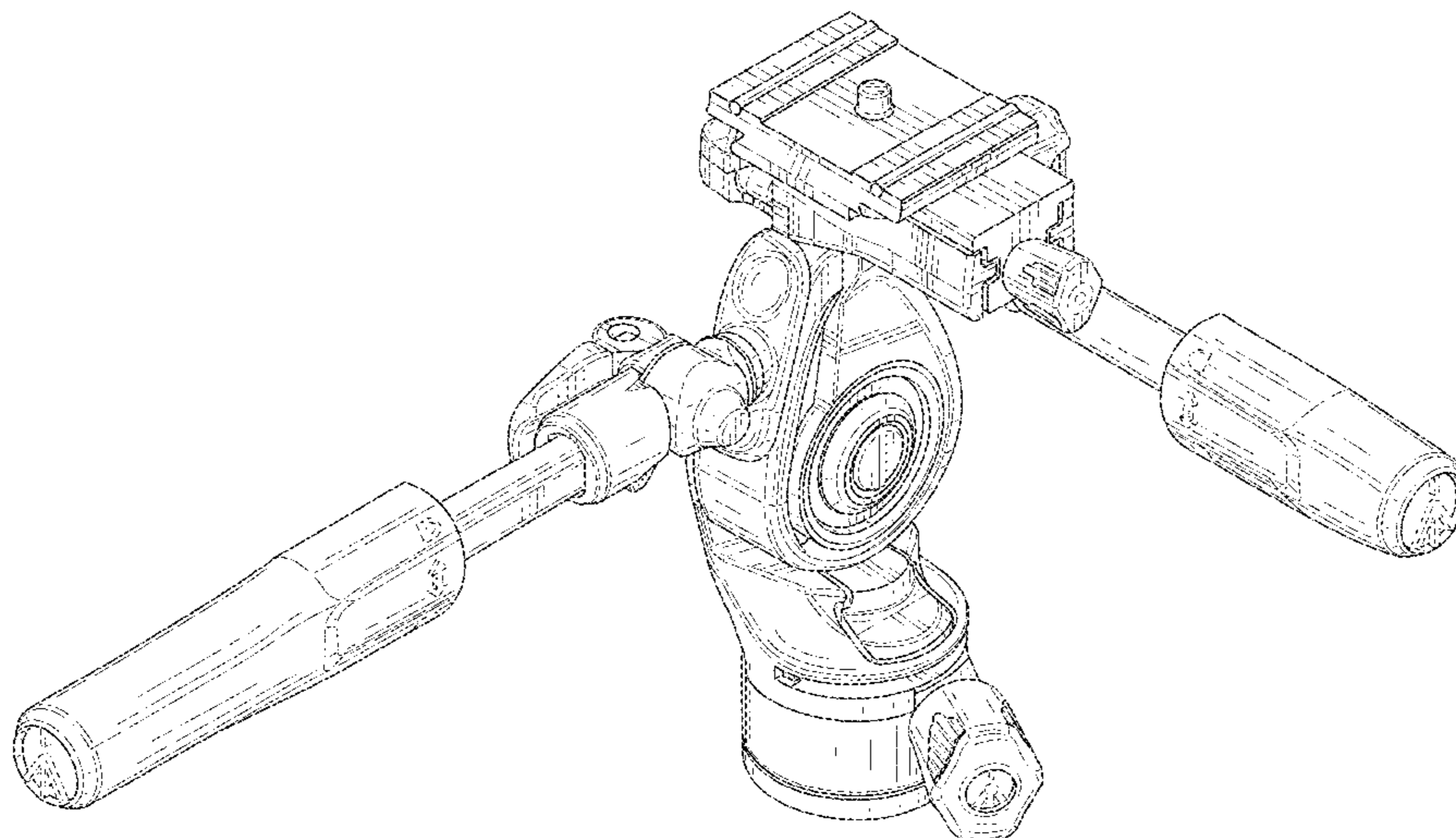
(57) **CLAIM**

The ornamental design for a camera mount, as shown and described.

DESCRIPTION

FIG. 1 is a top rear perspective view of the camera mount according to my design;
FIG. 2 is a front left perspective view thereof;
FIG. 3 is a rear view thereof;
FIG. 4 is a front view thereof;
FIG. 5 is a left-side view thereof;
FIG. 6 is a right-side view thereof;
FIG. 7 is a top view thereof; and,
FIG. 8 is a bottom view thereof.
The broken lines in the drawings are used to represent unclaimed portions of the camera mount and form no part of the claimed design.

1 Claim, 8 Drawing Sheets



(58) **Field of Classification Search**
 CPC 11/2021; F16M 11/2028; F16M 11/2035;
 F16M 13/00; F16M 13/005; F16M 13/02;
 F16M 13/04; F16M 13/06; F16M
 2200/00; F16M 2200/04; F16M 2200/08;
 F16M 2200/041; F16M 2200/042; F16M
 2200/044; F16M 2200/045; F16M
 2200/047; F16M 2200/048; G01C 21/18;
 G03B 17/561; G03B 17/563

See application file for complete search history.

(56) **References Cited**

U.S. PATENT DOCUMENTS

D262,635 S * 1/1982 Iwasaki D16/245
 4,955,568 A * 9/1990 O'Connor F16M 11/10
 248/183.3
 D616,913 S * 6/2010 Lee D16/245
 7,828,256 B2 * 11/2010 Speggiorin F16M 11/041
 248/187.1
 9,223,189 B2 * 12/2015 Battaglia F16M 11/04
 9,360,743 B2 * 6/2016 Battaglia F16M 11/12
 D829,266 S * 9/2018 Zeng D16/244
 D829,267 S * 9/2018 Zeng D16/244
 D836,702 S * 12/2018 Grandesso D16/242
 D896,301 S * 9/2020 Lin D16/242
 2003/0012571 A1 * 1/2003 Nakatani F16M 13/00
 396/428
 2011/0006170 A1 * 1/2011 Liu F16M 11/08
 248/121
 2011/0108685 A1 * 5/2011 Liu F16M 11/08
 248/178.1
 2015/0370148 A1 * 12/2015 Battaglia F16M 11/10
 396/428
 2021/0332937 A1 * 10/2021 Li F16M 11/2057

FOREIGN PATENT DOCUMENTS

CN 305357269 * 9/2019
 CN 305357270 * 9/2019

CN 306190550 * 11/2020
 CN 306847900 * 9/2021
 CN 306881727 * 10/2021
 EM 000358841-0002 * 8/2015
 EM 003385269-0001 * 9/2016
 EM 007688569-0001 * 2/2020
 GB 9007688569-0001 * 2/2020

OTHER PUBLICATIONS

Manfrotto MVH400AHUS Lightweight, product available Nov. 14, 2016 [online], pictured review Aug. 14, 2017 [online], [site visited Jan. 27, 2022]:URL:<https://www.amazon.com/gp/product/B01M24PNI3/ref=ox_sc_act_title_1?smid=ATVPDKIKX0DER&psc=1> (Year: 2016).*

Manfrotto MK055XPRO3-3W, product available Apr. 19, 2016 [online], no pictured review [online], [site visited Jan. 27, 2022]:URL:<https://www.amazon.com/gp/product/B01EIG19LU/ref=ox_sc_act_title_1?smid=ALHQ4LI8FCDXO&psc=1> (Year: 2016).*

Magnesium 3-Way Low-Profile Pan/Tilt Tripod Head, product available Nov. 12, 2014 [online], no pictured review [online], [site visited Jan. 27, 2022]:URL:<https://www.amazon.com/gp/product/B00PHXP2DU/ref=sw_img_1?smid=AVFRV4X8AFH6M&psc=1> (Year: 2014).*

Manfrotto MT055XPRO3 Aluminum Tripod with 808RC4 3-Way Pan/Tilt Head Kit, product availability date unknown, no pictured review [online], [site visited Jan. 27, 2022]:URL:<https://www.bhphotovideo.com/c/product/1060588-REG/manfrotto_mt055xpro3_aluminum_tripod_808rc4_head.html> (Year: 2022).*

Giottos MH5012 3-Way Pan/Tilt Head with Quick Release Plate, product availability date unknown, no pictured review [online], [site visited Jan. 27, 2022]:URL:<https://www.bhphotovideo.com/c/product/1043046-REG/giottos_mh_5012_mh5012_3_way_pan_tilt_head.html> (Year: 2022).*

* cited by examiner

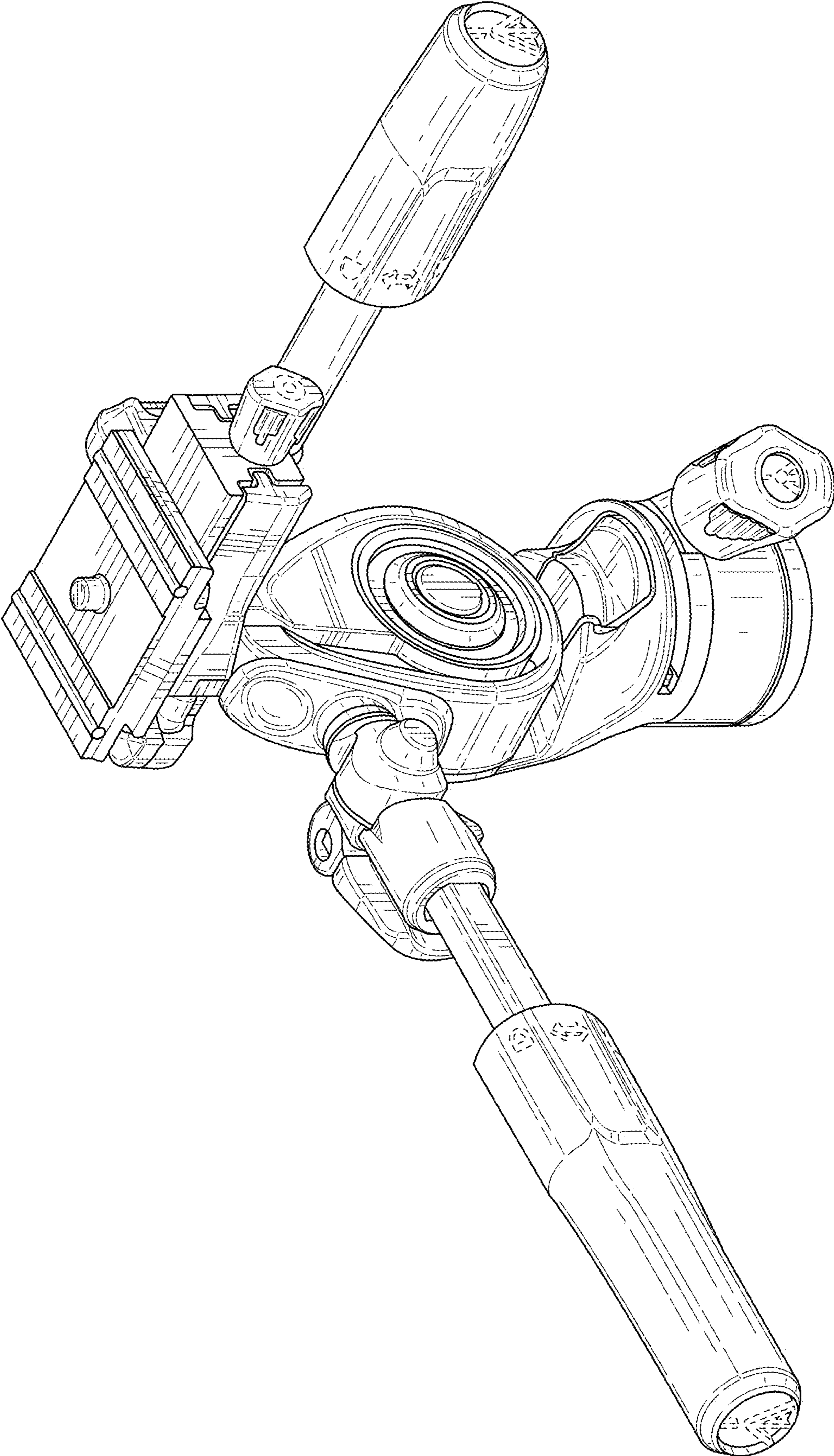


FIG. 1

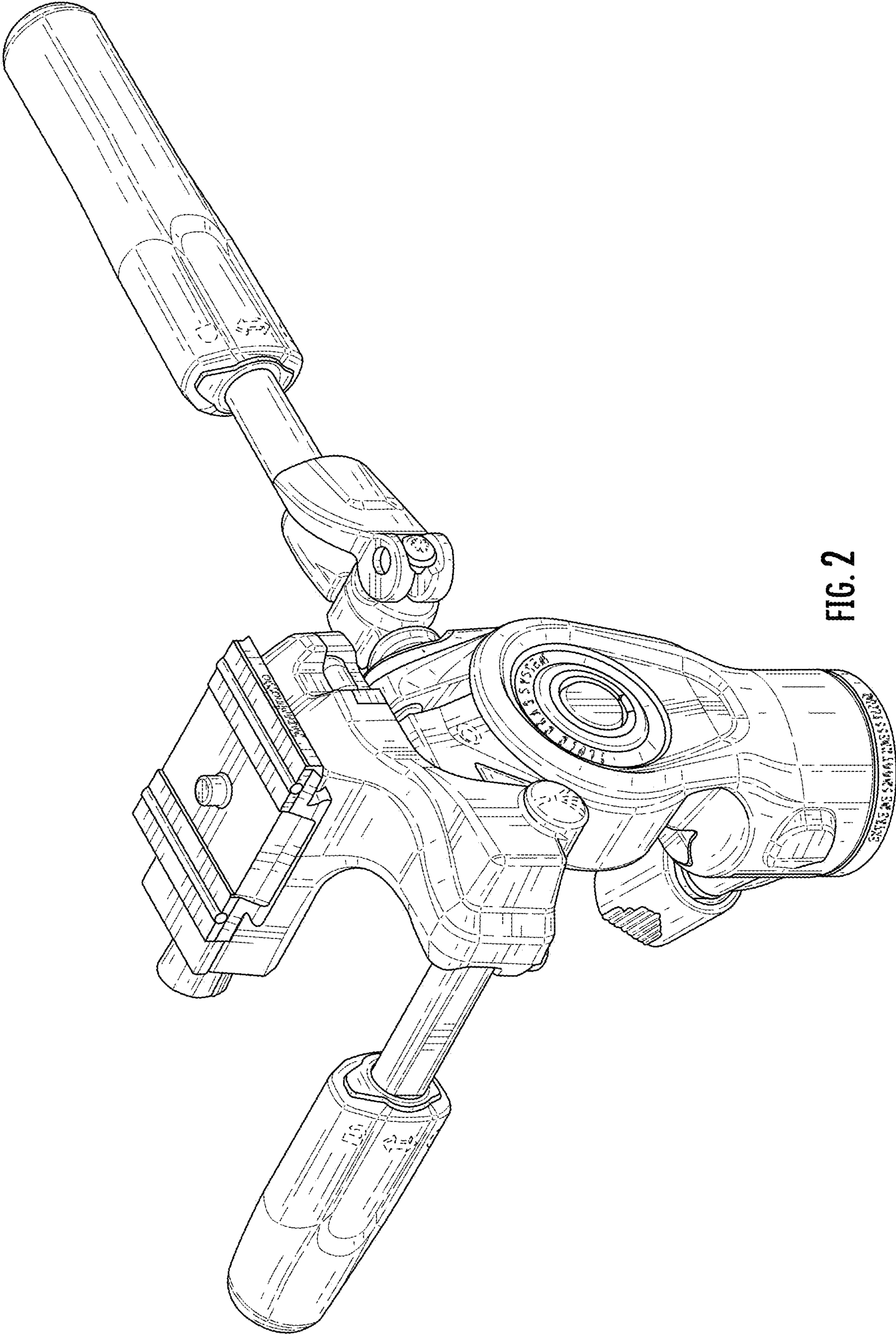


FIG. 2

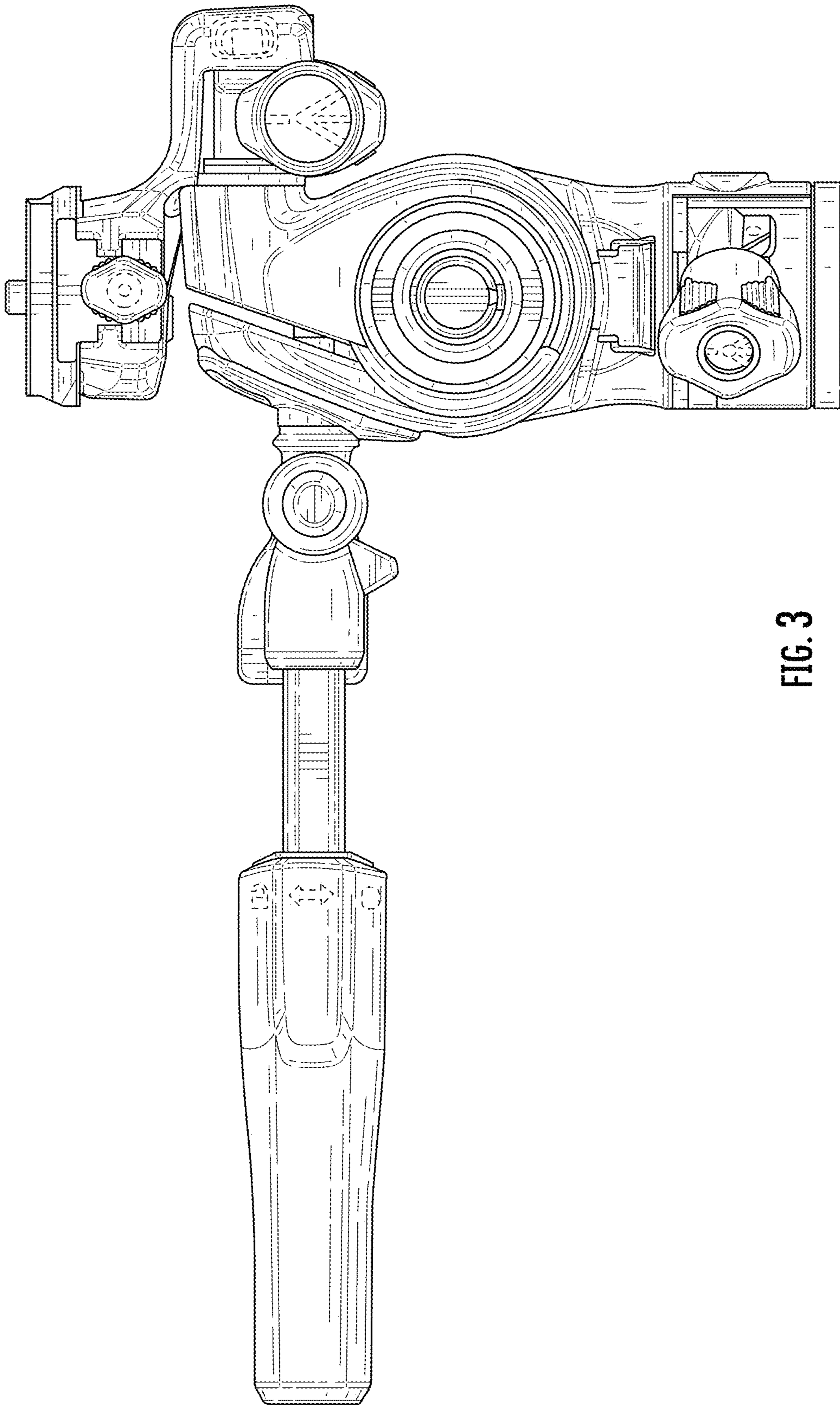


FIG. 3

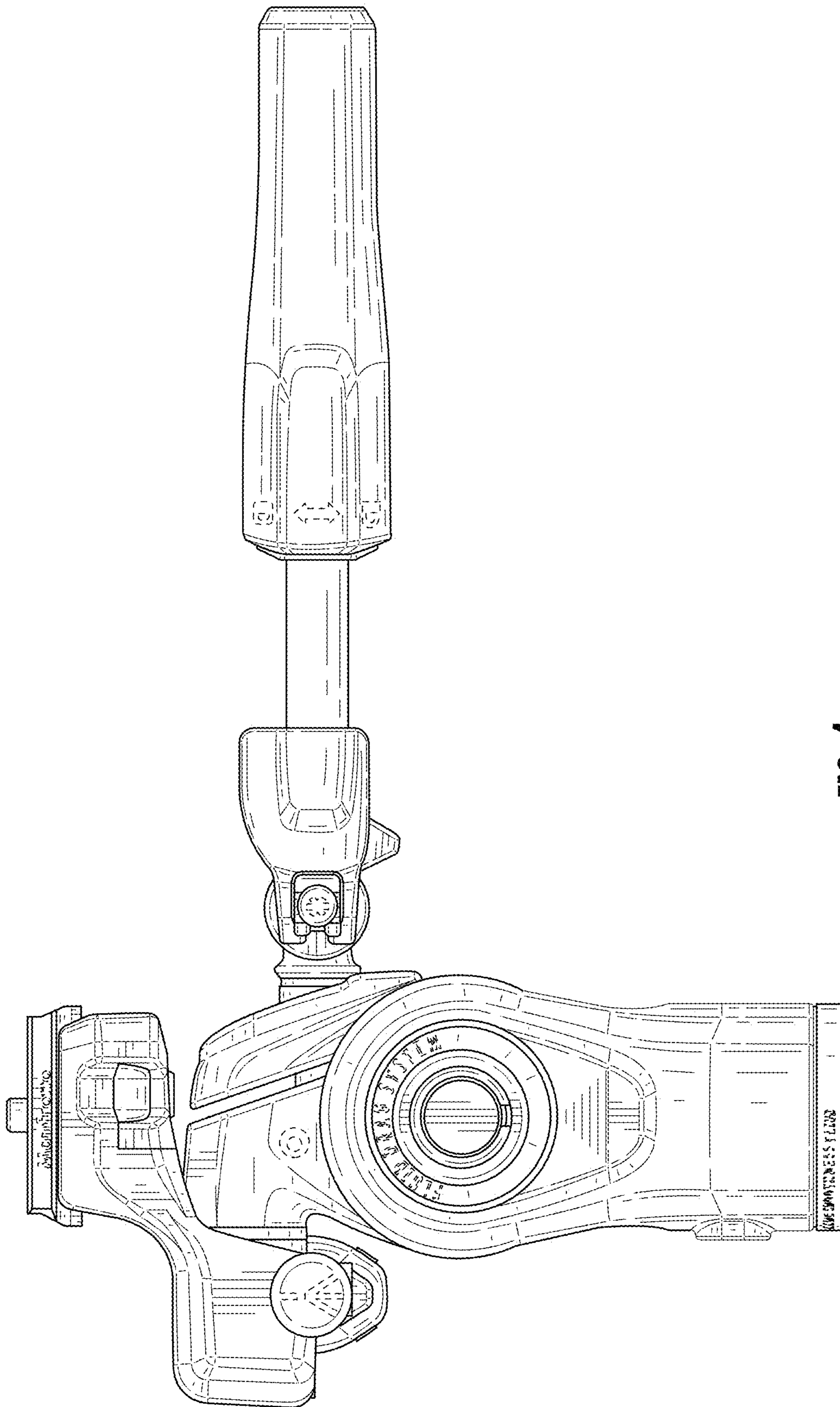


FIG. 4

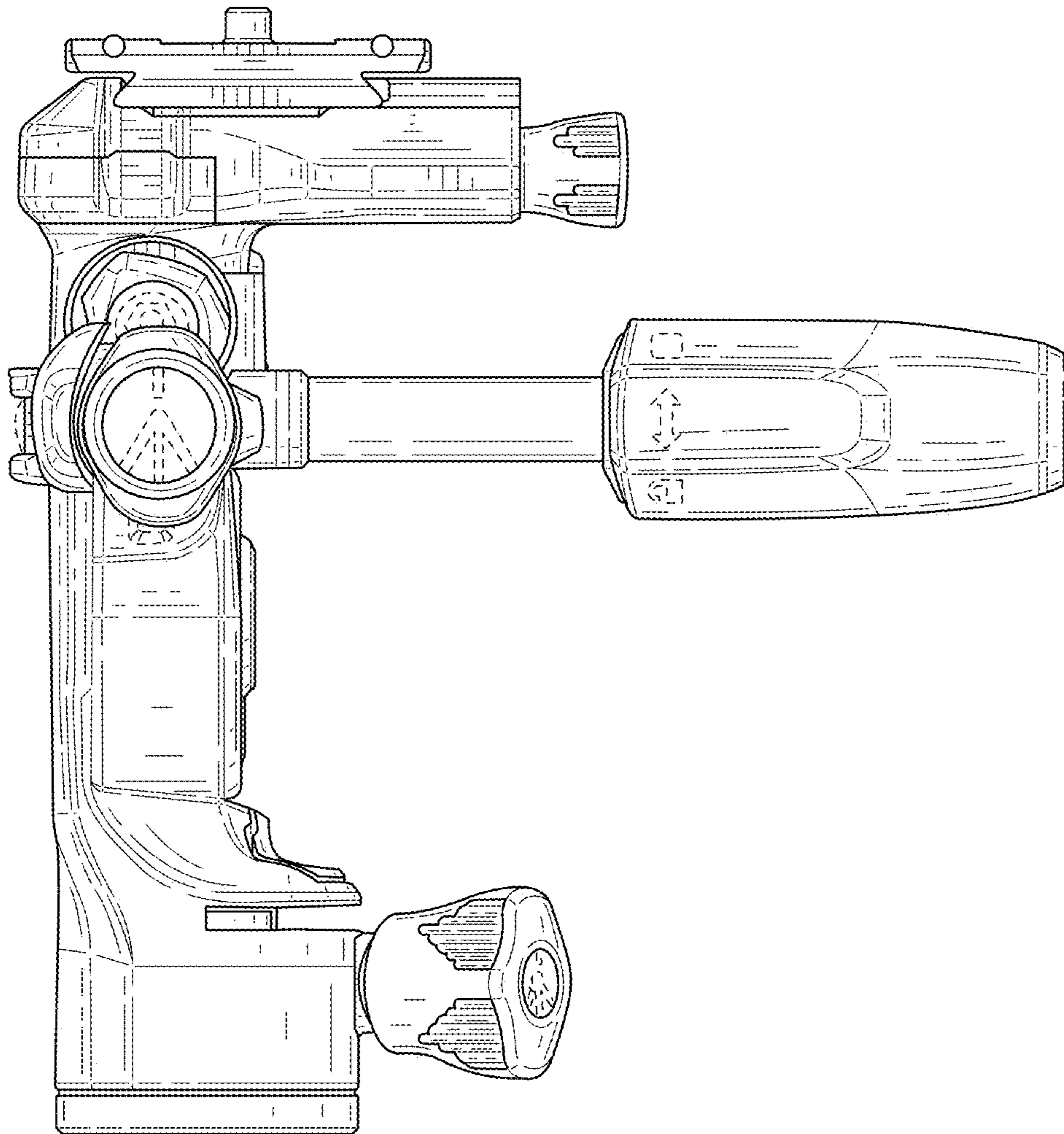


FIG. 5

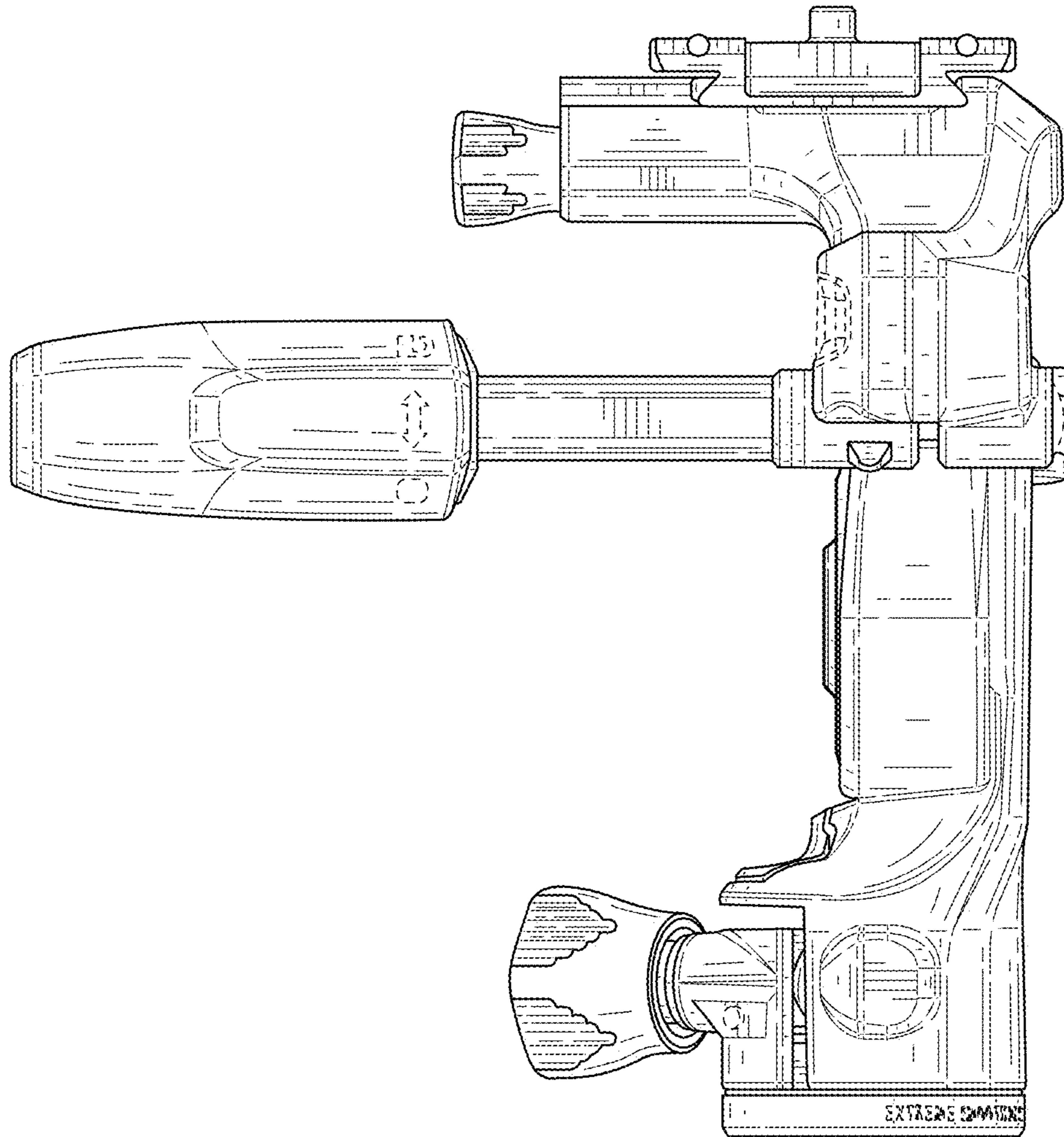


FIG. 6

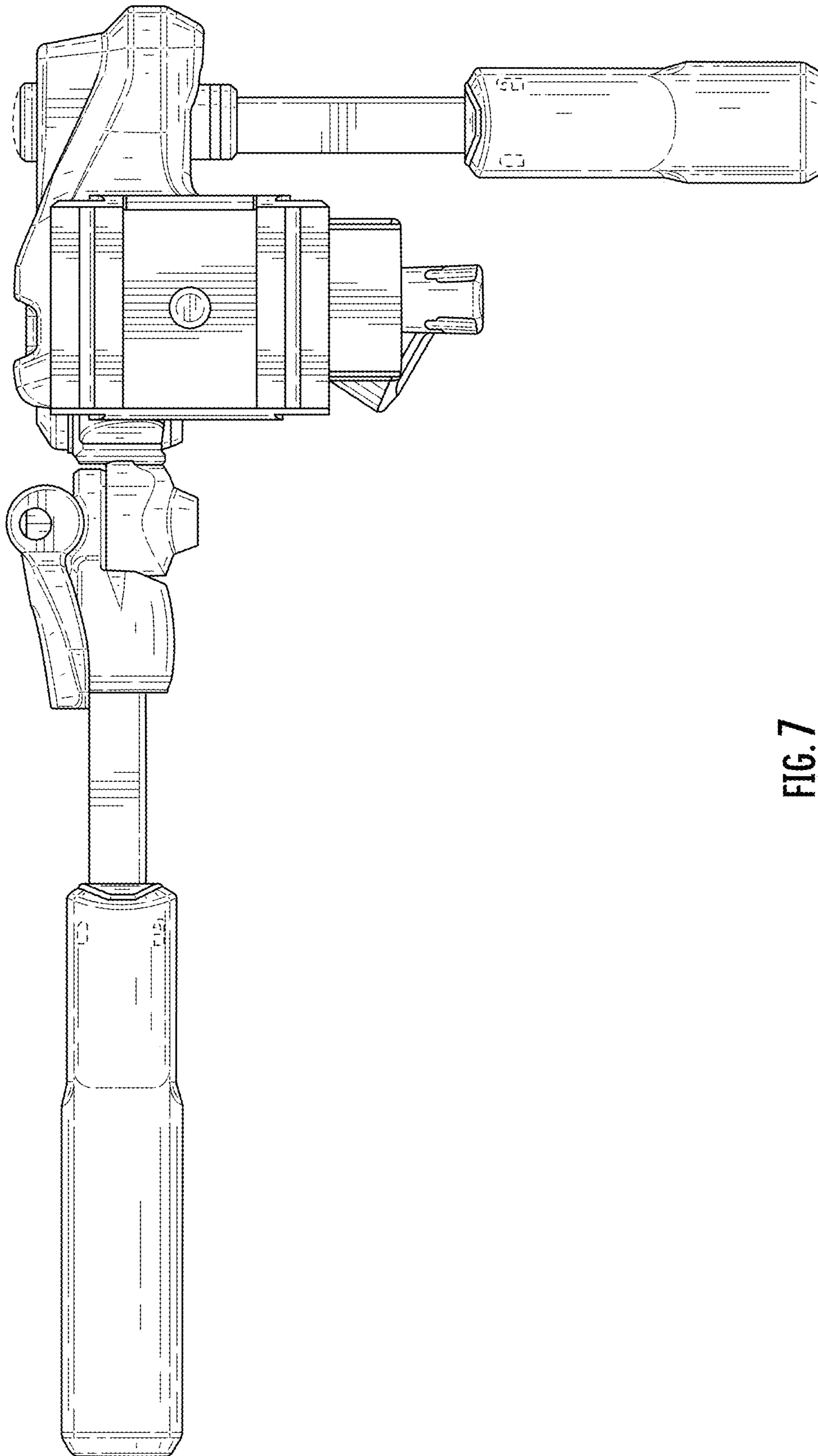


FIG. 7

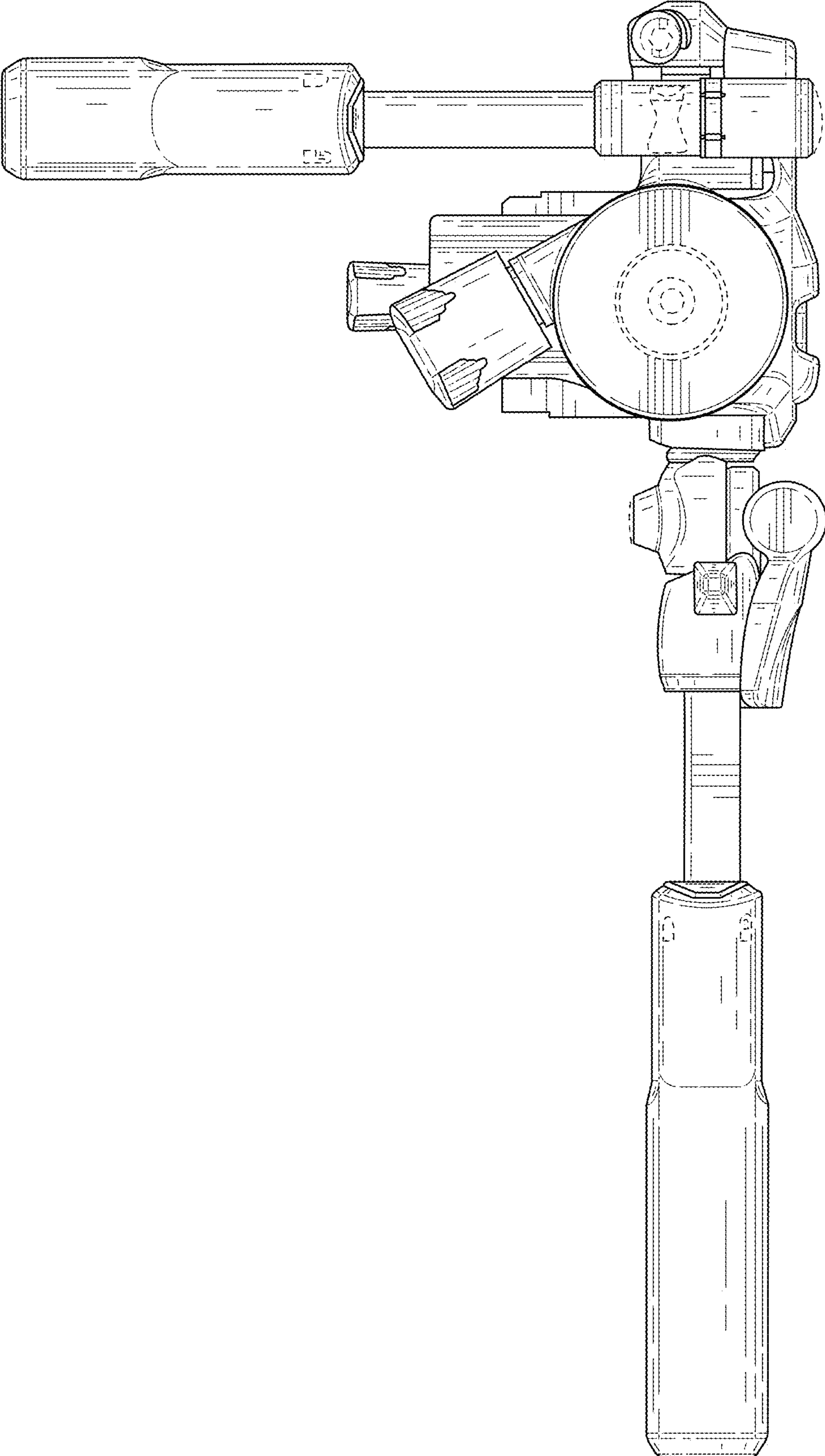


FIG. 8