



US00D980897S

(12) **United States Design Patent**
Sathe et al.

(10) **Patent No.:** **US D980,897 S**
(45) **Date of Patent:** **** Mar. 14, 2023**

(54) **CAMERA**

(71) Applicant: **Microsoft Corporation**, Redmond, WA
(US)

(72) Inventors: **Rhishikesh A. Sathe**, Bothell, WA
(US); **Kae-Ling J. Gurr**, Seattle, WA
(US); **Lalit Anil Palve**, Vancouver (CA)

(73) Assignee: **Microsoft Corporation**, Redmond, WA
(US)

(**) Term: **15 Years**

(21) Appl. No.: **29/801,730**

(22) Filed: **Jul. 30, 2021**

(51) **LOC (14) Cl.** **16-01**

(52) **U.S. Cl.**
USPC **D16/218**

(58) **Field of Classification Search**
USPC D16/200, 202–206, 218, 219, 242
CPC G03B 17/02; G03B 19/04; G03B 17/56;
G03B 17/04; G03B 15/03; H04N 5/2251;
H04N 5/2252; H04N 5/2253; H04N
5/2254; H04N 7/181; H04N 7/183; H04N
7/18; G08B 13/1963; G08B 13/19619;
G08B 13/19632; F16M 11/04; F16M
13/00

See application file for complete search history.

(56) **References Cited**

U.S. PATENT DOCUMENTS

D564,004 S	3/2008	Ikeda et al.
D573,622 S	7/2008	Fisher et al.
D606,106 S	12/2009	Kim et al.
D614,223 S	4/2010	Kim et al.
D624,108 S	9/2010	Wang et al.
D647,933 S	11/2011	Raken et al.
D647,934 S	11/2011	Raken et al.

D647,935 S	11/2011	Raken et al.	
D647,937 S	11/2011	Raken et al.	
D834,085 S *	11/2018	Lu	D16/203
D839,945 S *	2/2019	Lenz	D16/218
D859,497 S *	9/2019	Turgel	D16/208

(Continued)

FOREIGN PATENT DOCUMENTS

JP	2022000758 A	1/2022
JP	2022009144 A	1/2022

OTHER PUBLICATIONS

“Office Action Issued in Japanese Patent Application No. 2022-000758”, dated Jun. 3, 2022, 9 Pages.
(Continued)

Primary Examiner — Ramzi Almatrahi
(74) *Attorney, Agent, or Firm* — Banner & Witcoff, Ltd.

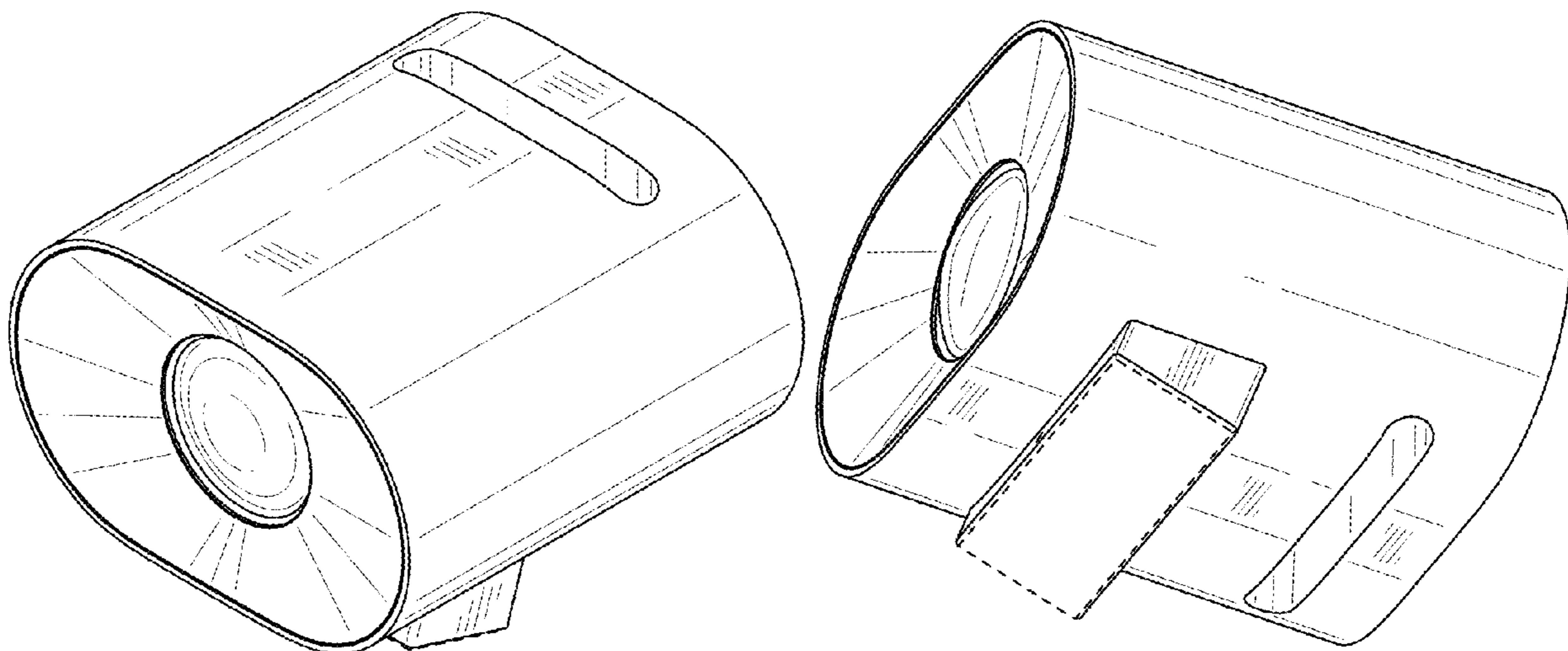
(57) **CLAIM**

The ornamental design for a camera, as shown and described.

DESCRIPTION

FIG. 1 is a top and front perspective view of a camera showing our new design;
FIG. 2 is a bottom and front perspective view thereof;
FIG. 3 is a top perspective view thereof;
FIG. 4 is a front view thereof;
FIG. 5 is a rear view thereof;
FIG. 6 is a left side view thereof;
FIG. 7 is a right side view thereof;
FIG. 8 is a top view thereof;
FIG. 9 is a bottom view thereof; and,
FIG. 10 is an enlarged view of portion 10 shown in FIG. 4. The broken lines depict portions of the camera in which the design is embodied that form no part of the claimed design. The dot-dash broken lines encircling an enlargement portion of the design forms no part of the claimed design.

1 Claim, 6 Drawing Sheets



(56)

References Cited

U.S. PATENT DOCUMENTS

D860,291 S	*	9/2019	Lenz	D16/208
D892,904 S		8/2020	Dearsley et al.	
D893,577 S		8/2020	Dearsley et al.	
D899,484 S		10/2020	Harju et al.	
D924,300 S	*	7/2021	Zhao	D16/202
D949,226 S	*	4/2022	Liao	D16/202
D954,777 S	*	6/2022	Zhao	D16/202
D960,953 S	*	8/2022	Chen	D16/202

OTHER PUBLICATIONS

“Office Action Issued in Japanese Patent Application No. 2022-000759”, dated Jun. 2, 2022, 5 Pages.

“Office Action Issued in Japanese Patent Application No. 2022-009144”, dated Jun. 3, 2022, 10 Pages.

“Notice of Allowance Issued in Chinese Patent Application No. 202230030491.X”, dated Mar. 28, 2022, 4 Pages.

“Office Action Issued in Japanese Patent Application No. 2022-000759”, dated Feb. 2, 2022, 3 Pages.

“Office Action Issued in Indian Patent Application No. 357530-001”, dated Feb. 25, 2022, 2 Pages.

“Office Action Issued in Australian Patent Application No. 202210514”, dated Feb. 10, 2022, 3 Pages.

“Office Action Issued in Indian Patent Application No. 357529-001”, dated Feb. 24, 2022, 2 Pages.

“Office Action Issued in Indian Patent Application No. 357531-001”, dated Feb. 28, 2022, 2 Pages.

* cited by examiner

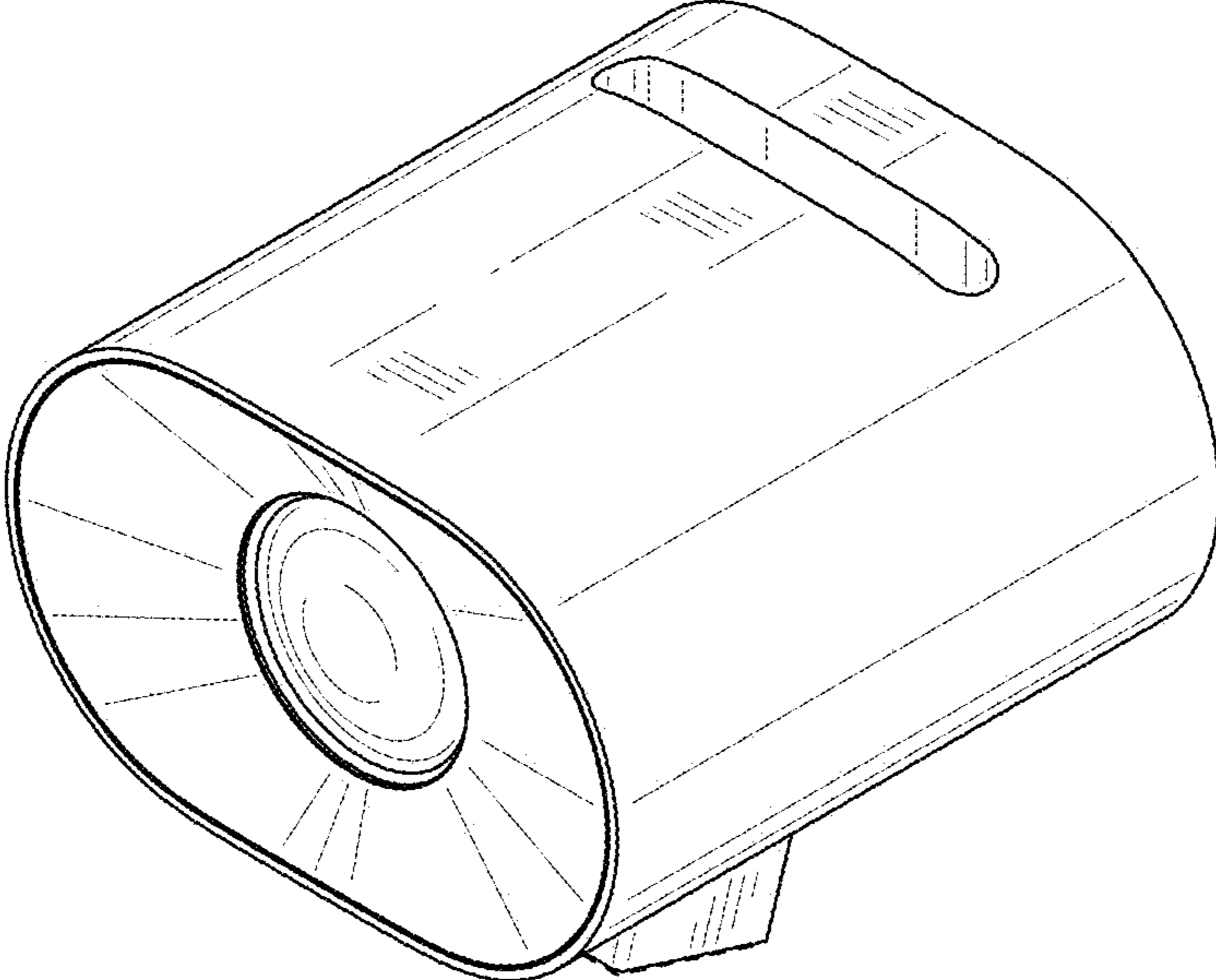


FIG. 1

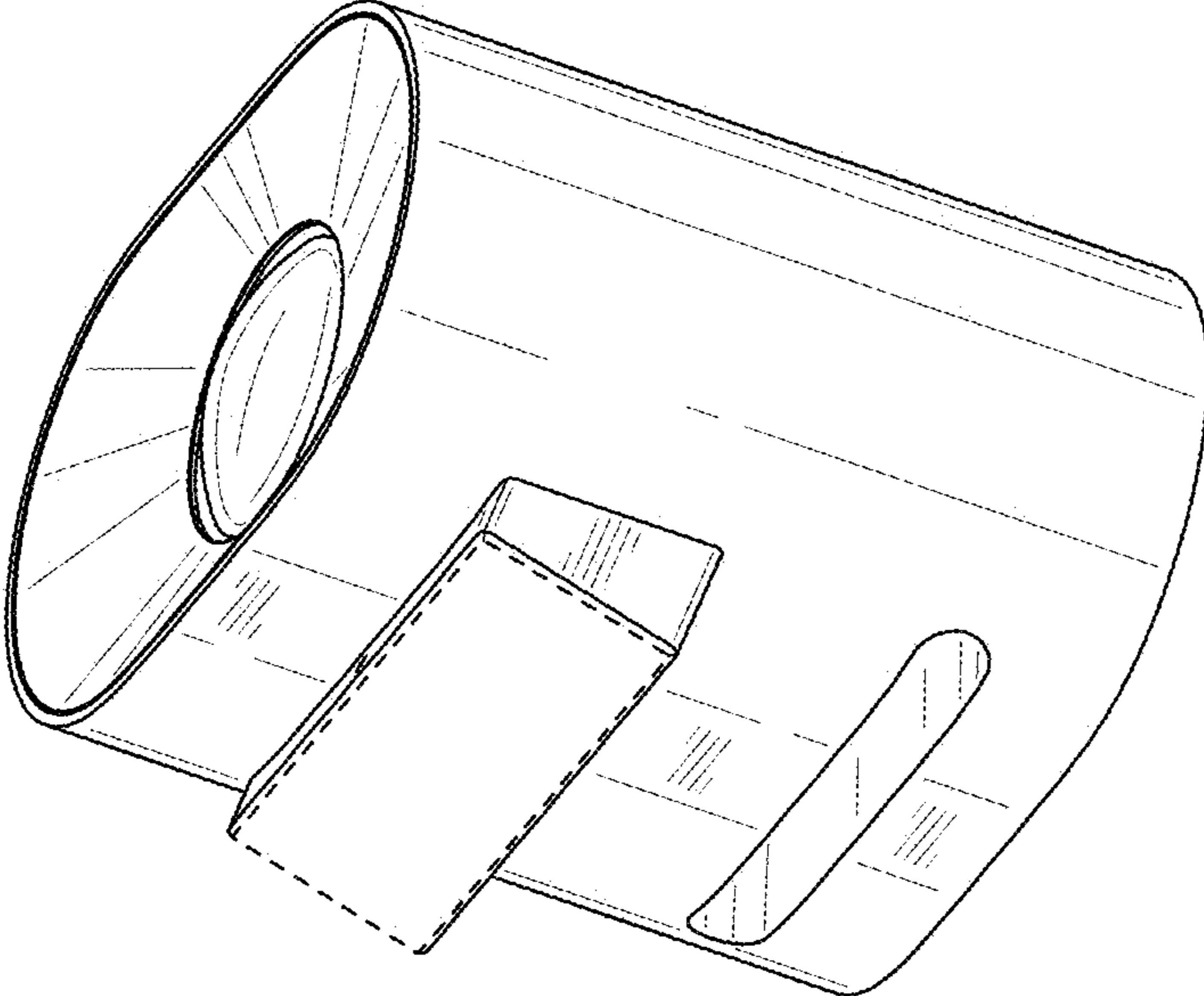


FIG. 2

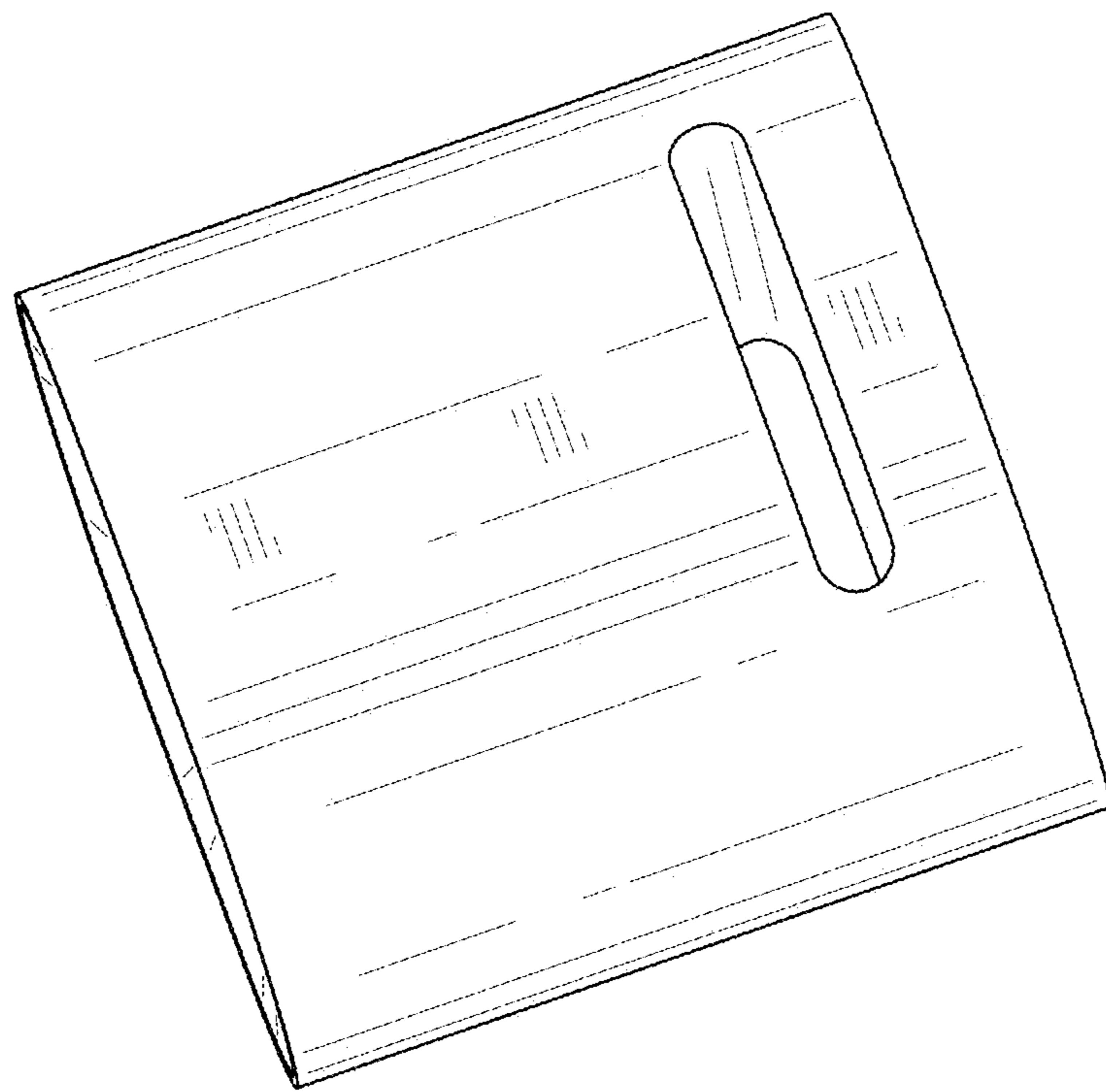


FIG. 3

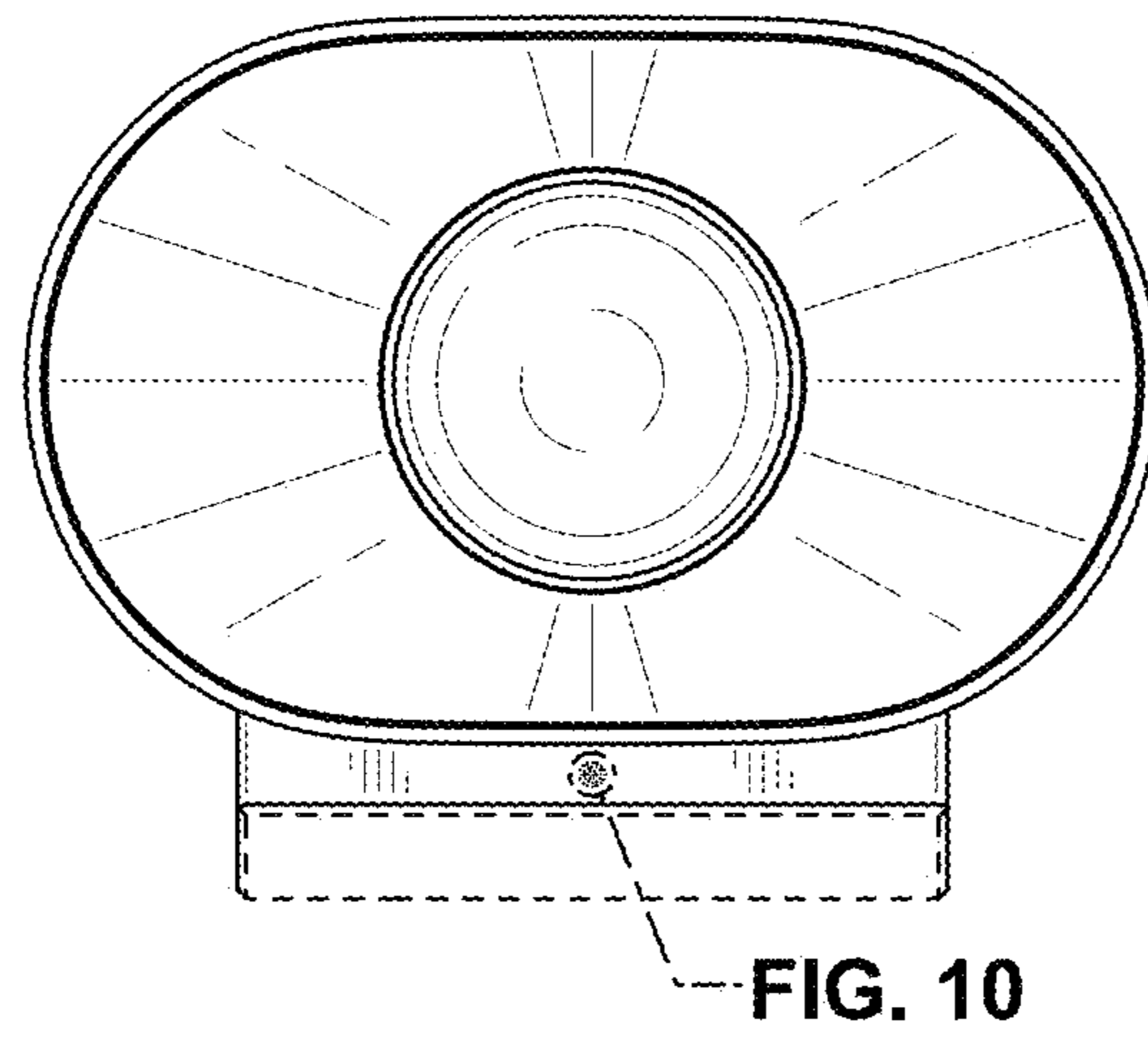


FIG. 4

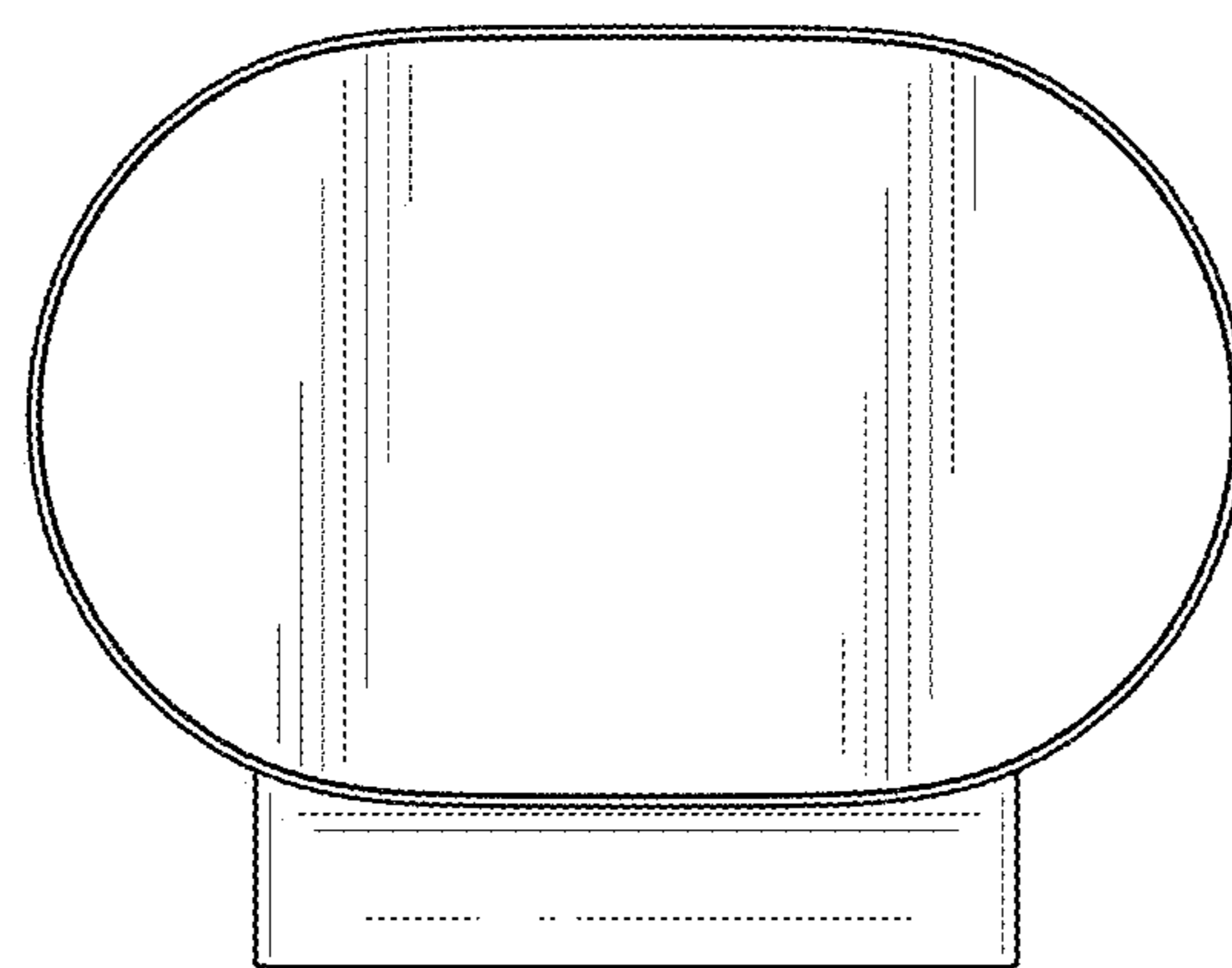


FIG. 5

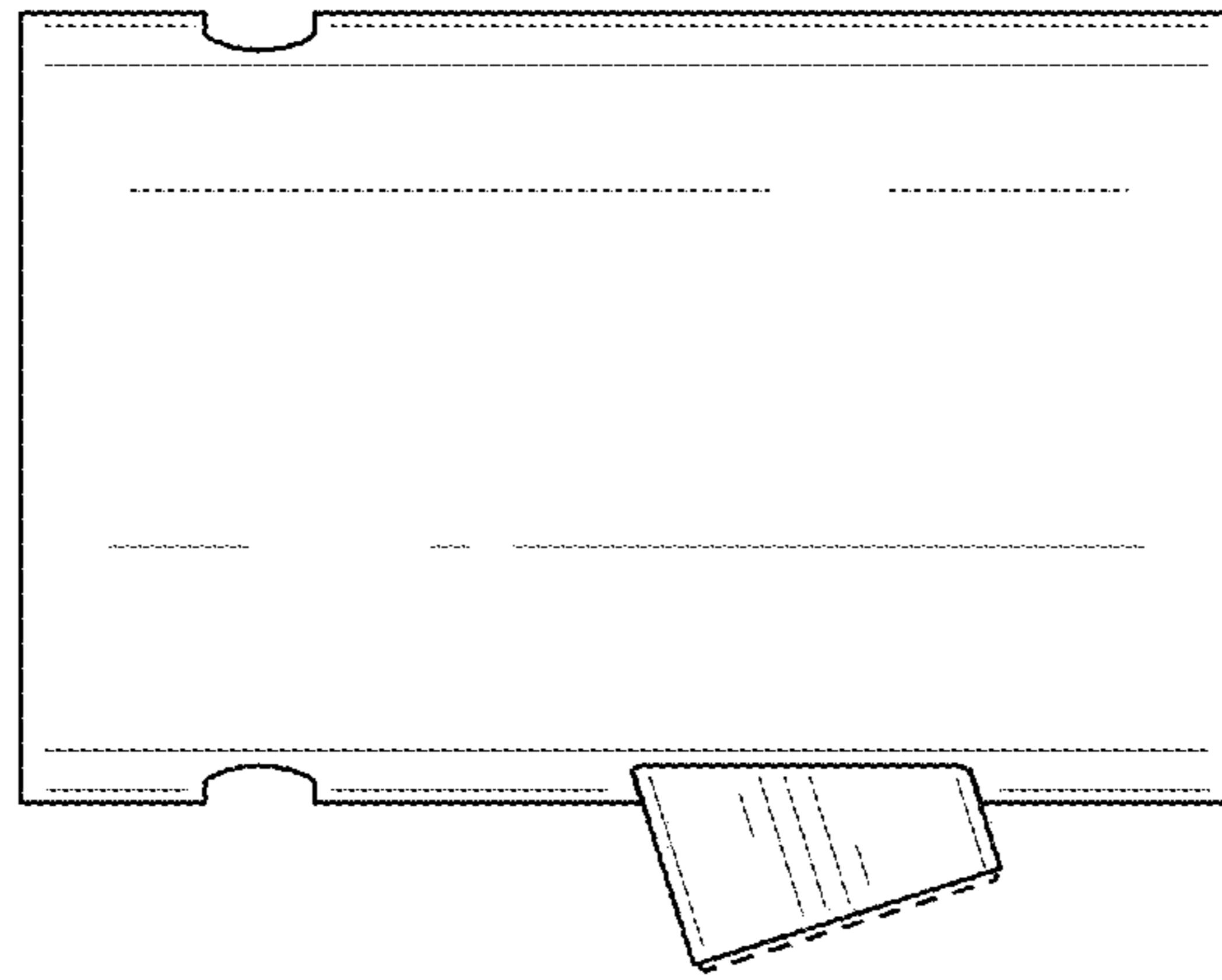


FIG. 6

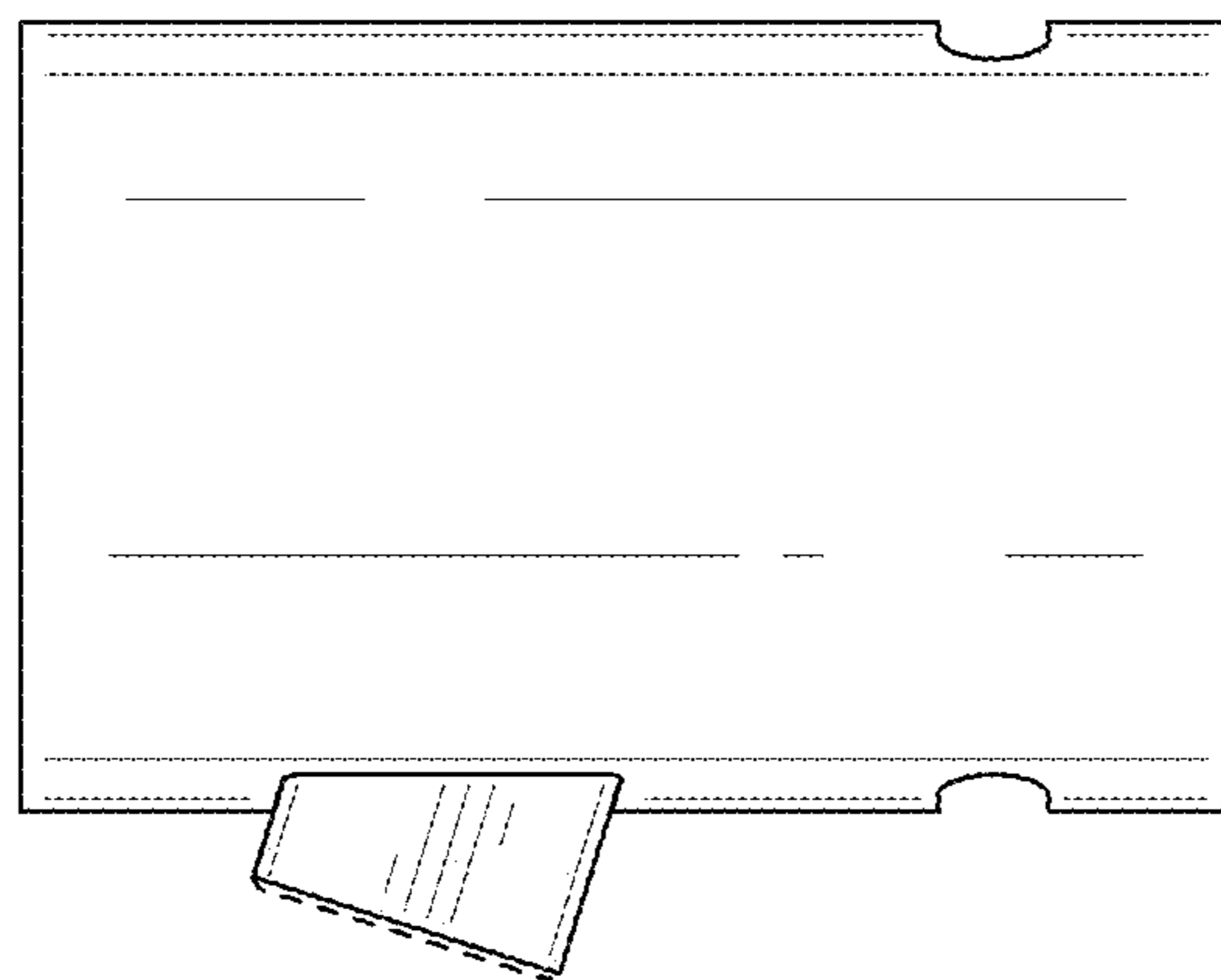


FIG. 7

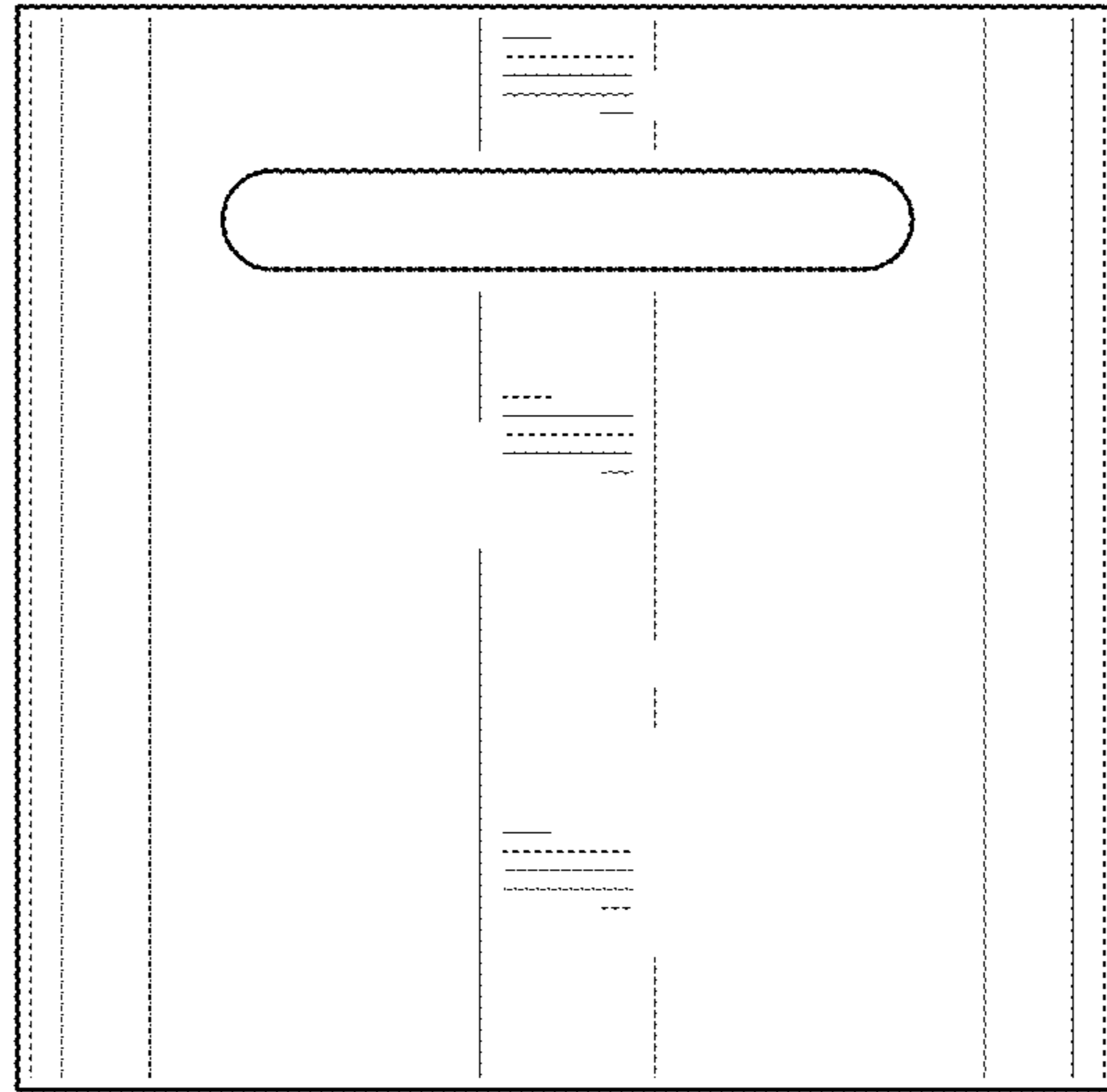


FIG. 8

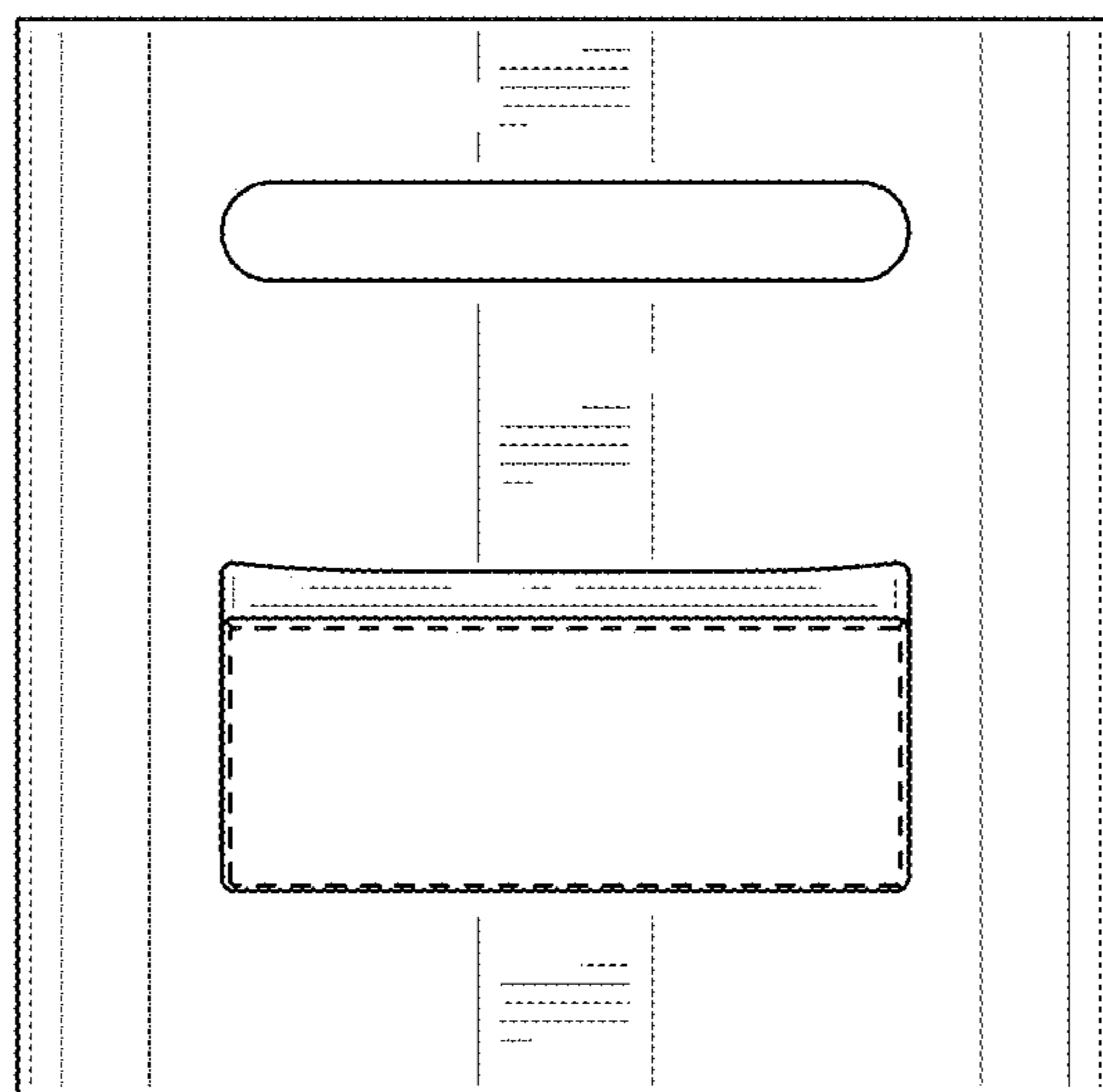


FIG. 9

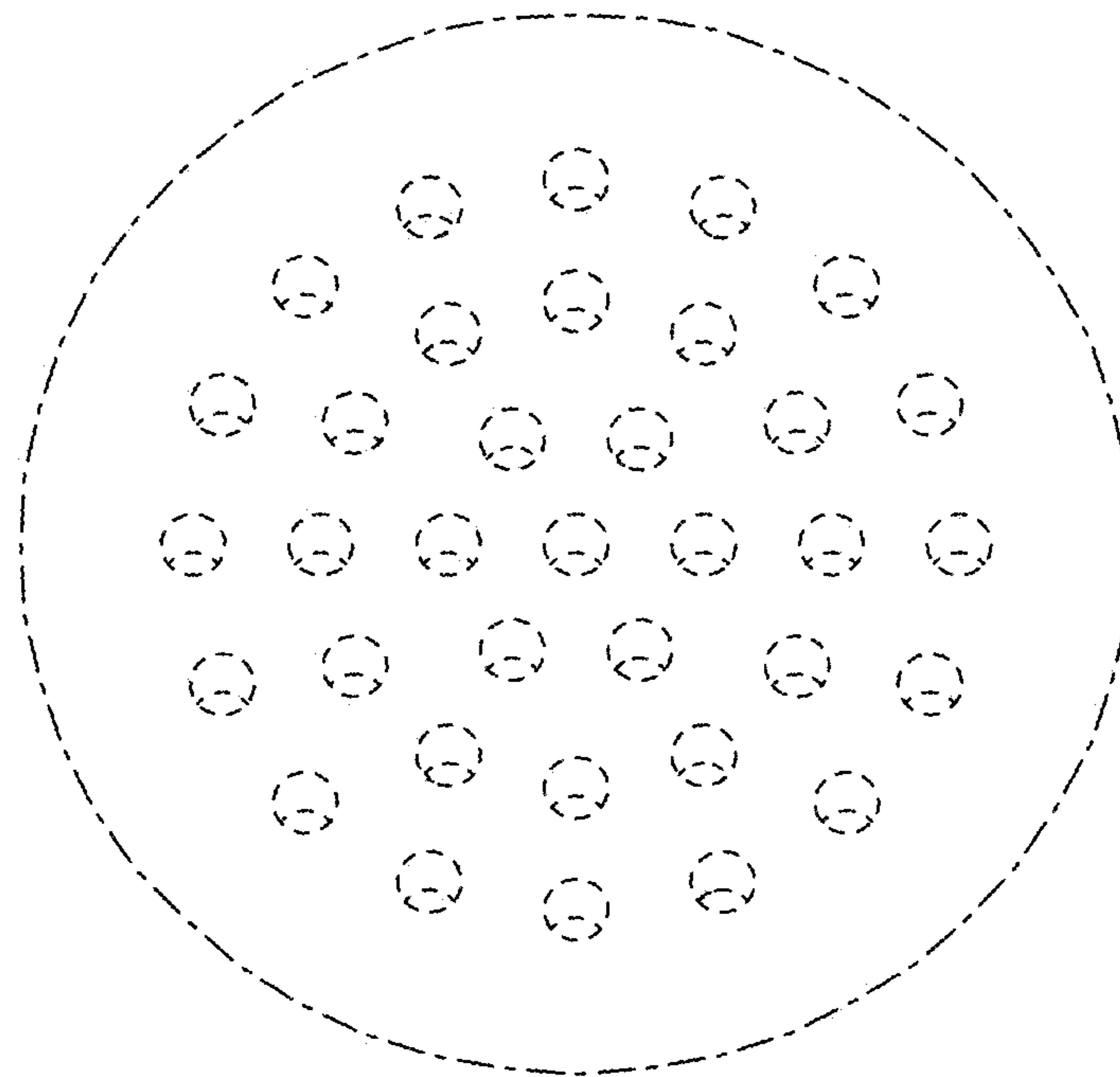


FIG. 10