



US00D980894S

(12) **United States Design Patent**
Yan

(10) **Patent No.:** **US D980,894 S**
(45) **Date of Patent:** **** Mar. 14, 2023**

(54) **CAMERA**

(71) Applicant: **Feng Yan**, Ninghai (CN)

(72) Inventor: **Feng Yan**, Ninghai (CN)

(**) Term: **15 Years**

(21) Appl. No.: **29/790,265**

(22) Filed: **Nov. 16, 2021**

(51) **LOC (14) Cl.** **16-01**

(52) **U.S. Cl.**
USPC **D16/203**

(58) **Field of Classification Search**
USPC D16/200–203, 208–214; D10/46, 50, 52,
D10/104.1, 106.6; D14/125, 203.1,
D14/203.8, 209.1, 204, 317, 474, 496,
D14/506, 510
CPC G03B 17/00; G03B 17/02; G03B 2217/00;
H04N 5/2251; H04N 5/2252; H04N
5/225

See application file for complete search history.

(56) **References Cited**

U.S. PATENT DOCUMENTS

D634,345 S	*	3/2011	Kim	D16/203
D634,346 S	*	3/2011	Park	D16/203
D634,347 S	*	3/2011	Park	D16/203
D637,639 S	*	5/2011	Park	D16/203
D637,640 S	*	5/2011	Park	D16/203
D671,157 S	*	11/2012	Richardson	D16/202
D679,308 S	*	4/2013	Park	D16/242
D813,289 S		3/2018	Laffon de Mazieres et al.		
D823,369 S	*	7/2018	Wang	D16/203
D827,691 S	*	9/2018	Zhong	D16/203
D832,329 S	*	10/2018	Li	D16/203
D863,399 S	*	10/2019	Li	D16/203
D866,637 S	*	11/2019	Xie	D16/208

(Continued)

FOREIGN PATENT DOCUMENTS

CN	304250784	*	8/2017
CN	304354422	*	11/2017
CN	304758256	*	8/2018

OTHER PUBLICATIONS

“Ring Floodlight Cam Wired Plus with motion-activated 1080p HD video, Black (2021 release)” from Amazon.com, first retrieved Sep. 6, 2022 from the internet <https://www.amazon.com/Ring-Floodlight-Cam-Wired-Plus/dp/B08F6DWKQP?linkCode=II1&tag=0719bestoutdoorsecuritycamera-20&linkId=700aed3069f9bcb55ff20007a2604c90&language=en_US&ref=as_li_ss_tl&th=1> (Year: 2022).*

(Continued)

Primary Examiner — George D. Kirschbaum
Assistant Examiner — Lacey Chey Bowman
(74) *Attorney, Agent, or Firm* — Rumit Ranjit Kanakia

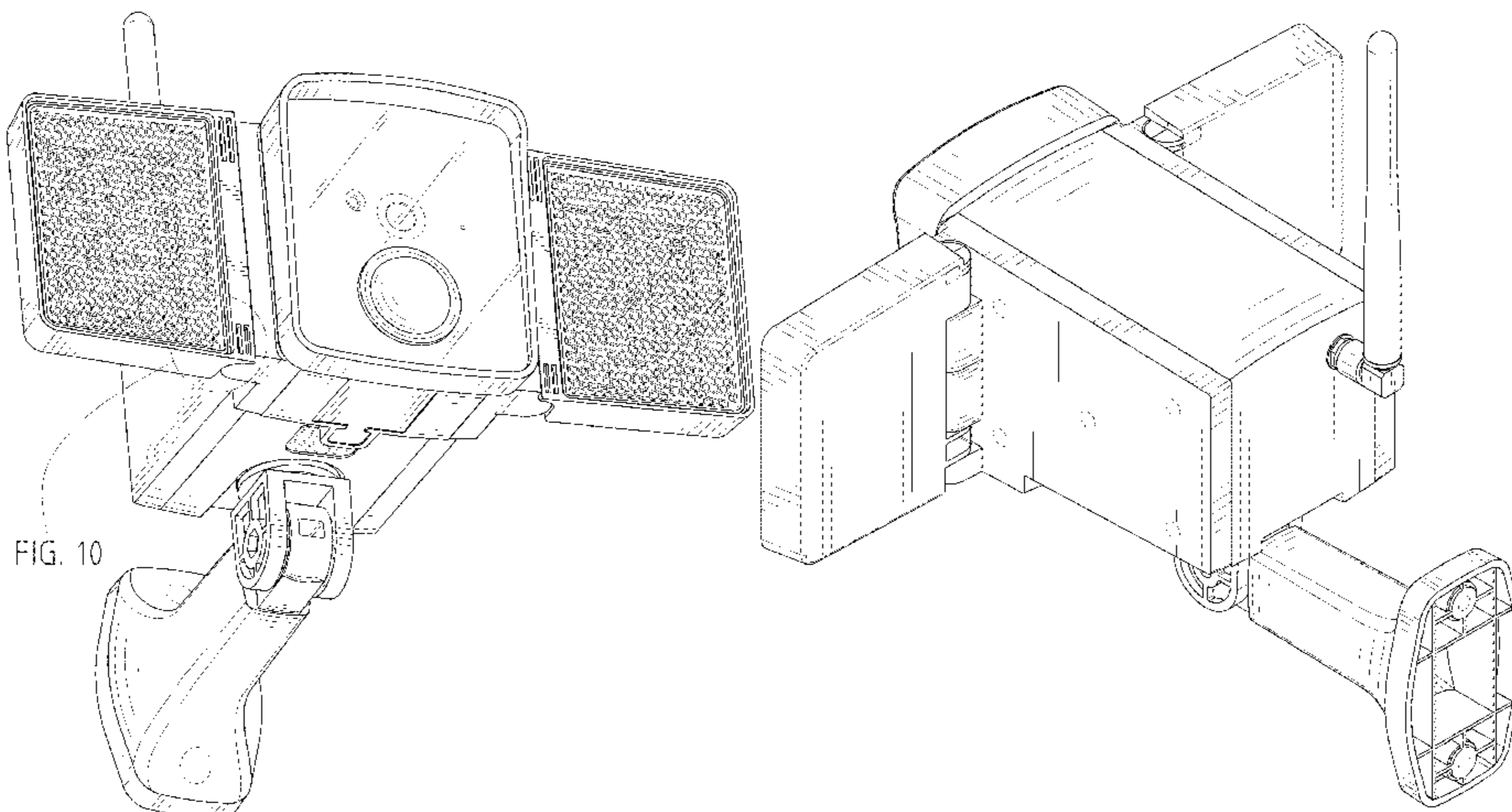
(57) **CLAIM**

The ornamental design for a camera, as shown and described.

DESCRIPTION

FIG. 1 is a front, bottom perspective view of a camera showing my new design;
FIG. 2 is a back, top perspective view thereof;
FIG. 3 is a front view thereof;
FIG. 4 is a back view thereof;
FIG. 5 is a left side view thereof;
FIG. 6 is a right side view thereof;
FIG. 7 is a top view thereof;
FIG. 8 is a bottom view thereof;
FIG. 9 is another back, top perspective view thereof, shown in a used condition; and,
FIG. 10 is an enlarged portion view taken from encircled portion labeled, “FIG. 10,” in FIG. 1.
The dashed-dot lines form the boundary of the enlarged portion view of FIG. 10 in FIGS. 1 and 10 and form no part of the claimed design. The even dashed broken lines shown in the drawings are included for the purpose of illustrating portions of the camera that form no part of the claimed design.

1 Claim, 10 Drawing Sheets



(56)

References Cited

U.S. PATENT DOCUMENTS

D871,484 S * 12/2019 Wang D16/203
D881,970 S * 4/2020 Peng D16/203
D920,418 S 5/2021 Scalisi et al.
D923,075 S 6/2021 Grant et al.
2015/0070494 A1 * 3/2015 Hess, Jr. H04N 17/002
348/143
2017/0155806 A1 * 6/2017 Cao H04N 5/2252

OTHER PUBLICATIONS

“Besder H.265 1080P Wifi IP Camera Ai Detection TF Slot Outdoor 2MP Wireless Camera Audio Color Night Vision Security CCTV Camera” from Aliexpress.com, first retrieved Sep. 6, 2022 from the internet <<https://www.aliexpress.com/i/2255800205586893.html?gatewayAdapt=4itemAdapt>> (Year: 2022).*

* cited by examiner

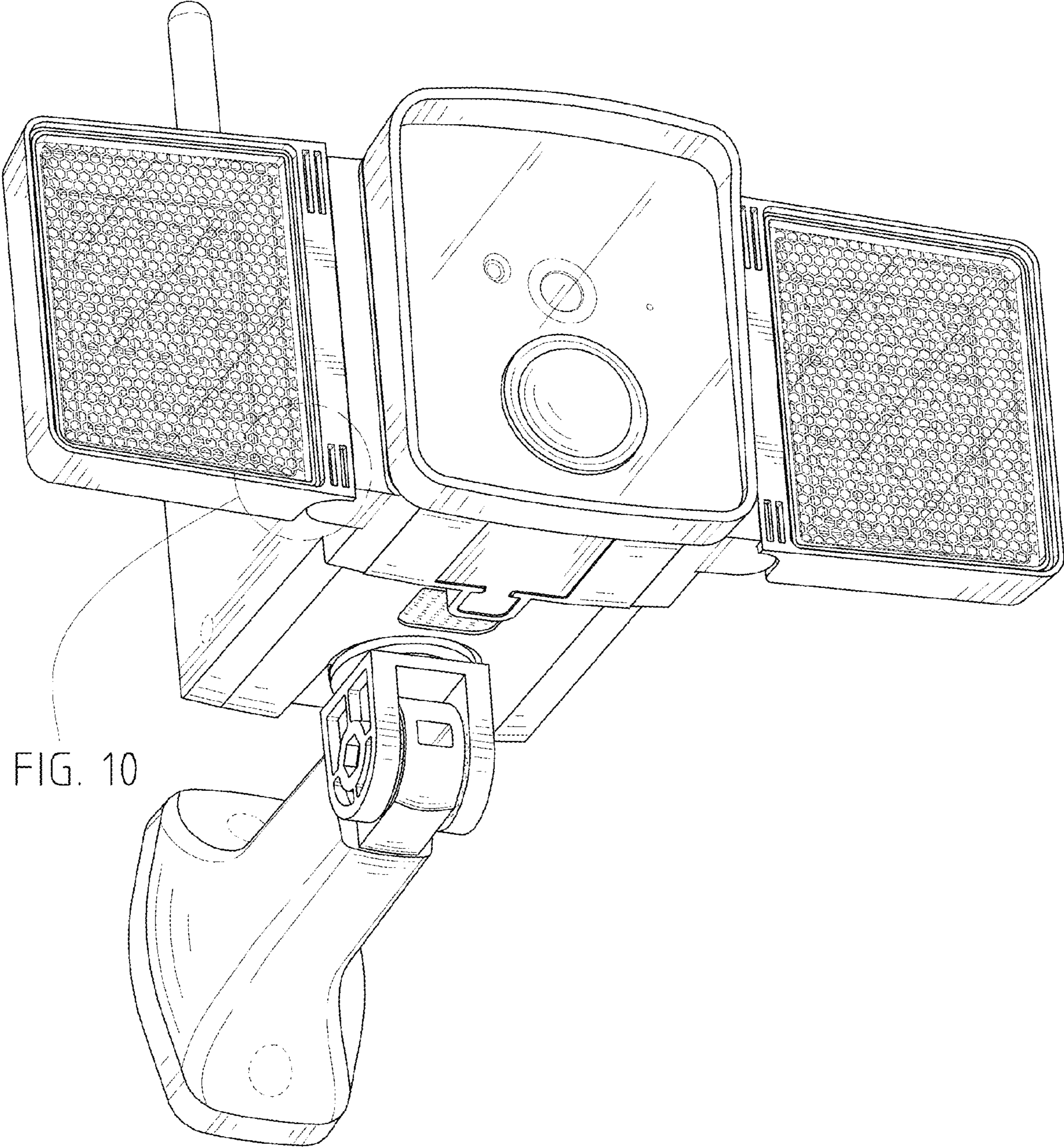


FIG. 10

FIG. 1

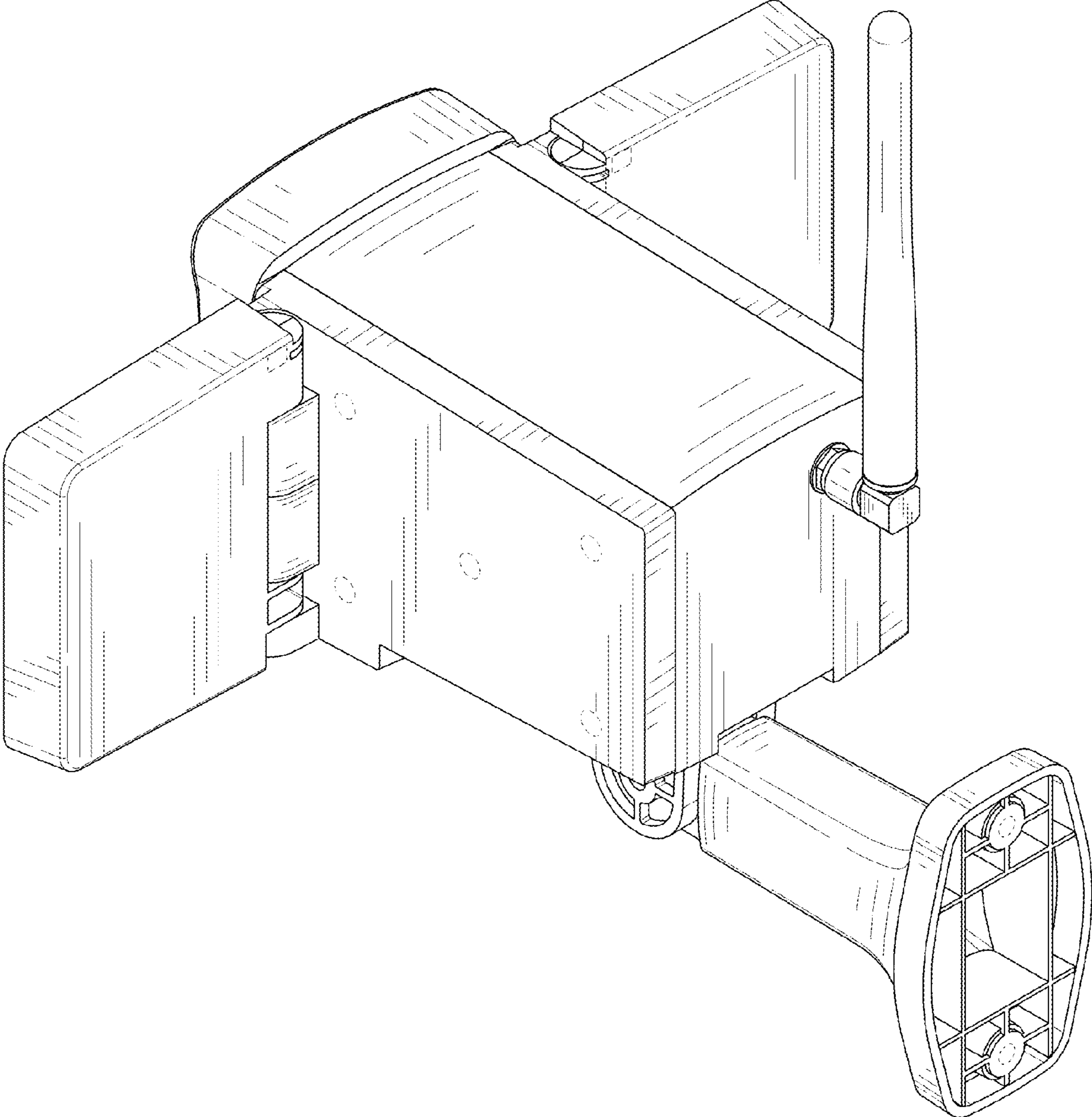


FIG. 2

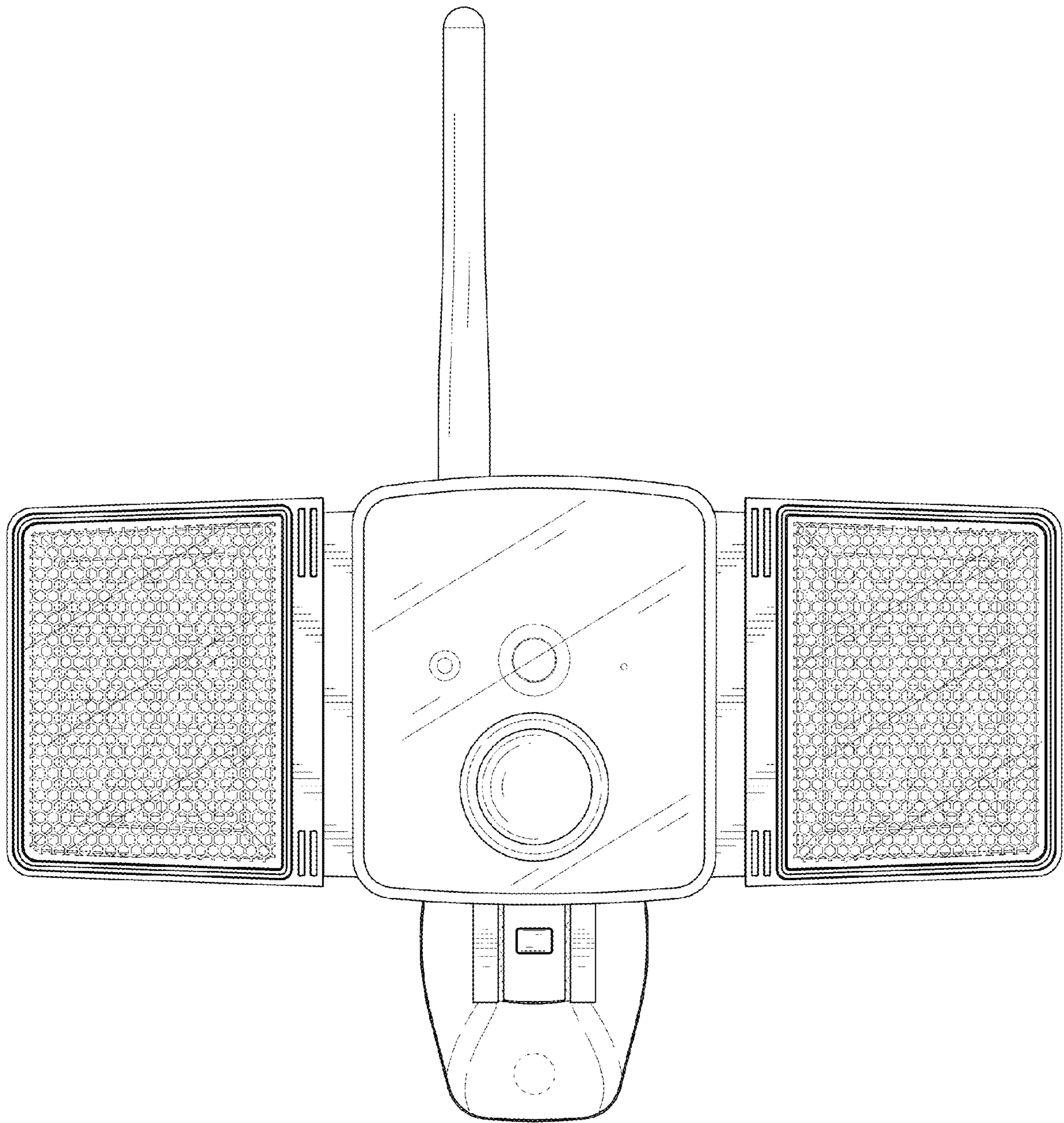


FIG. 3

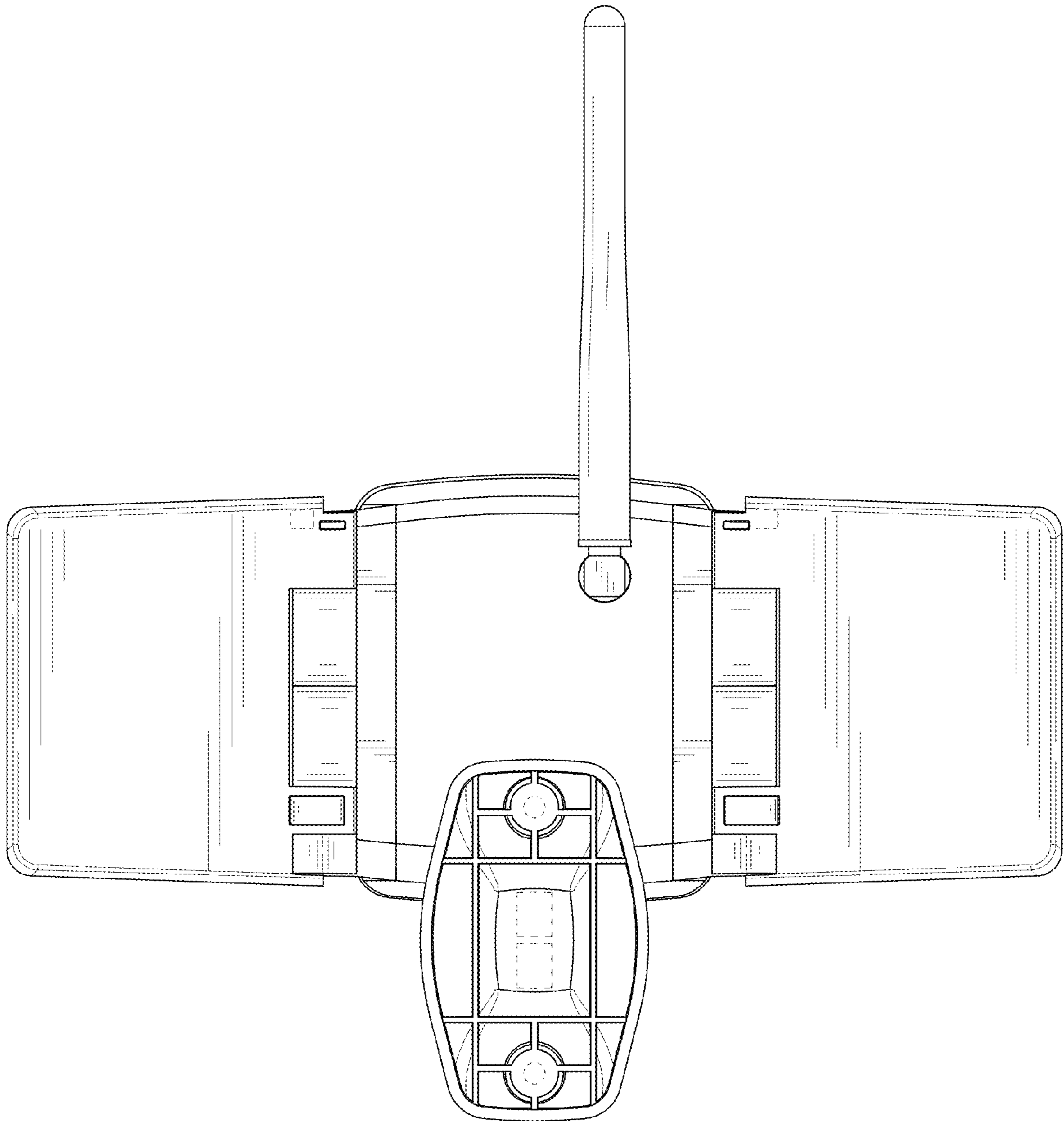


FIG. 4

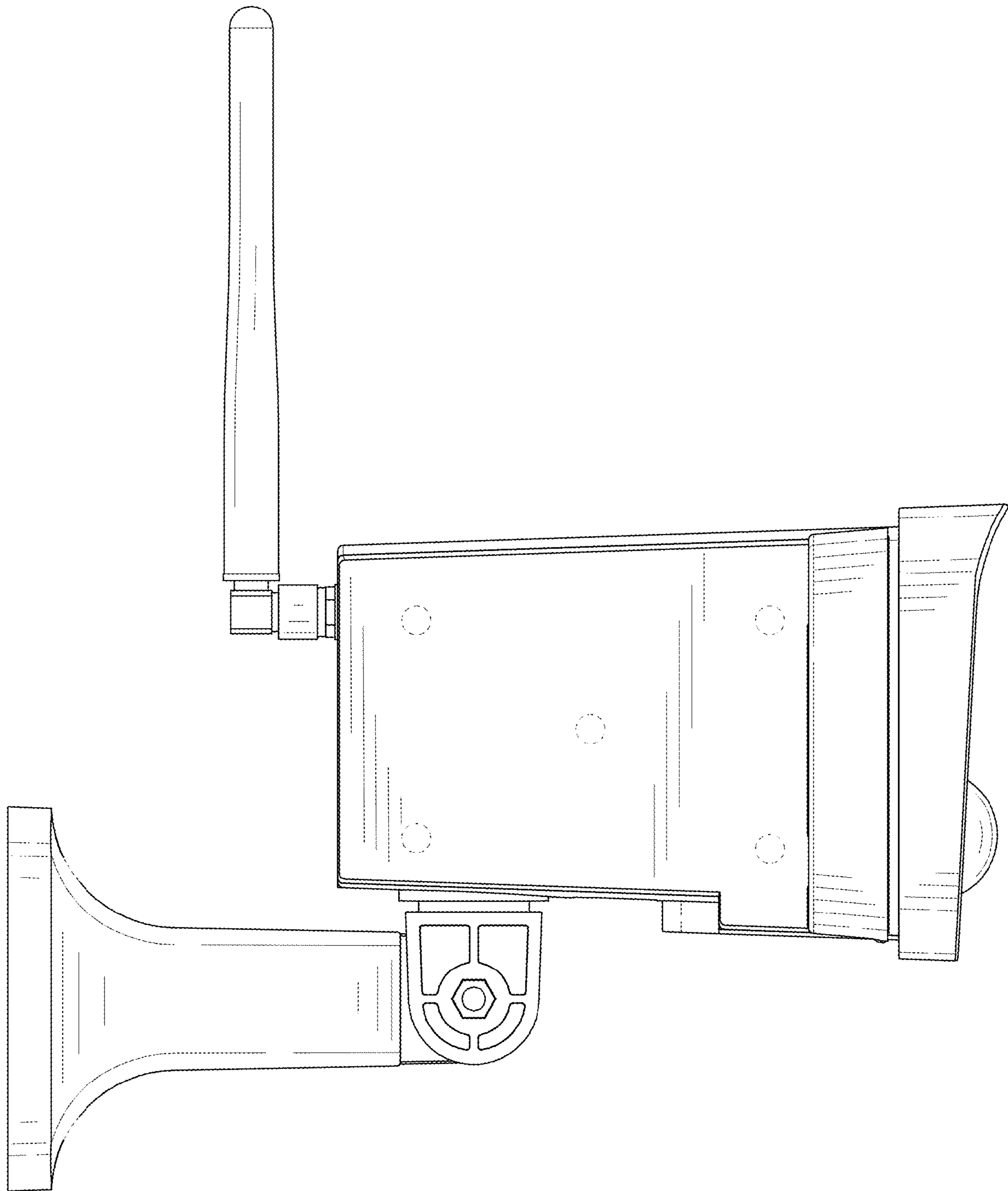


FIG. 5

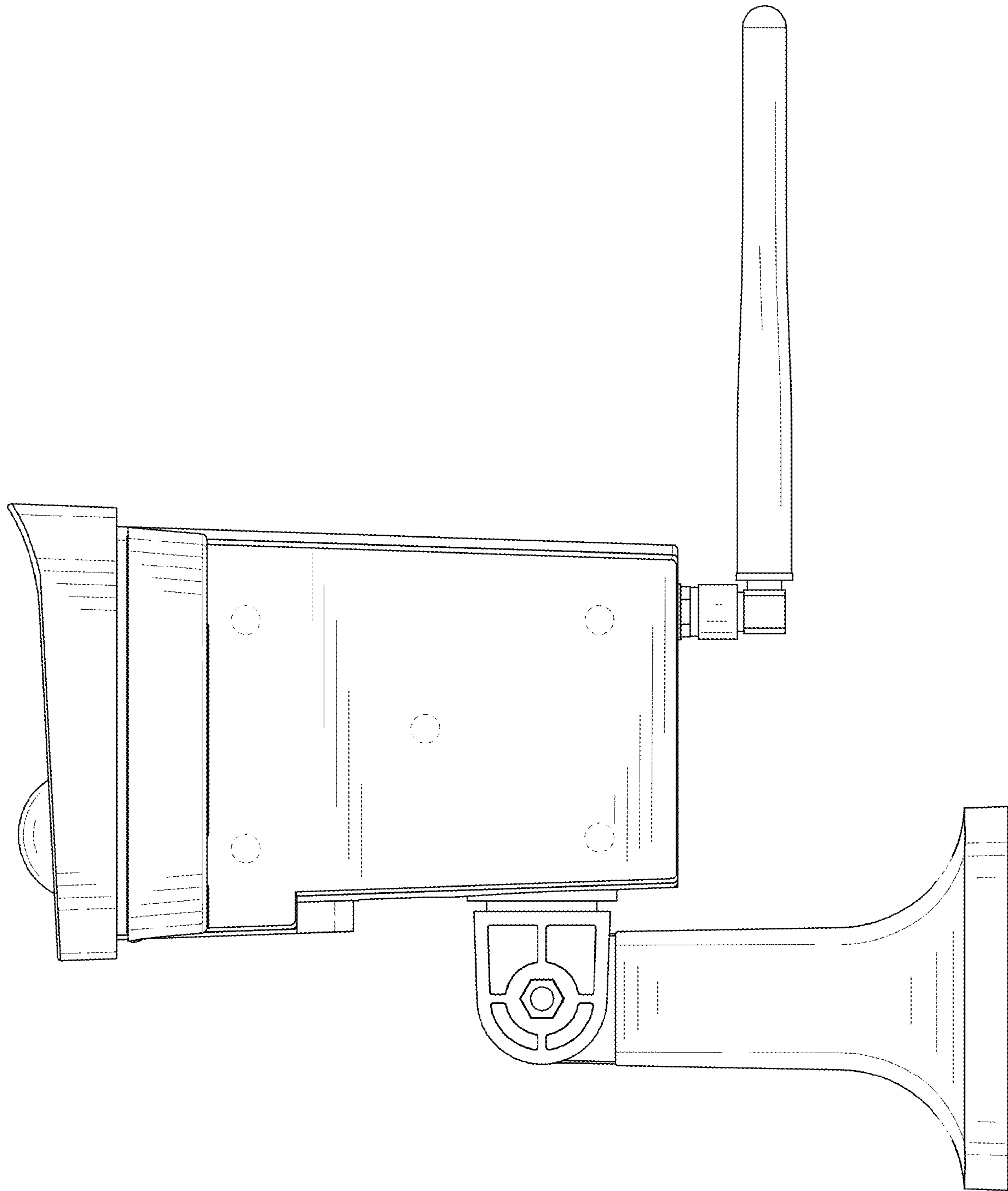


FIG. 6

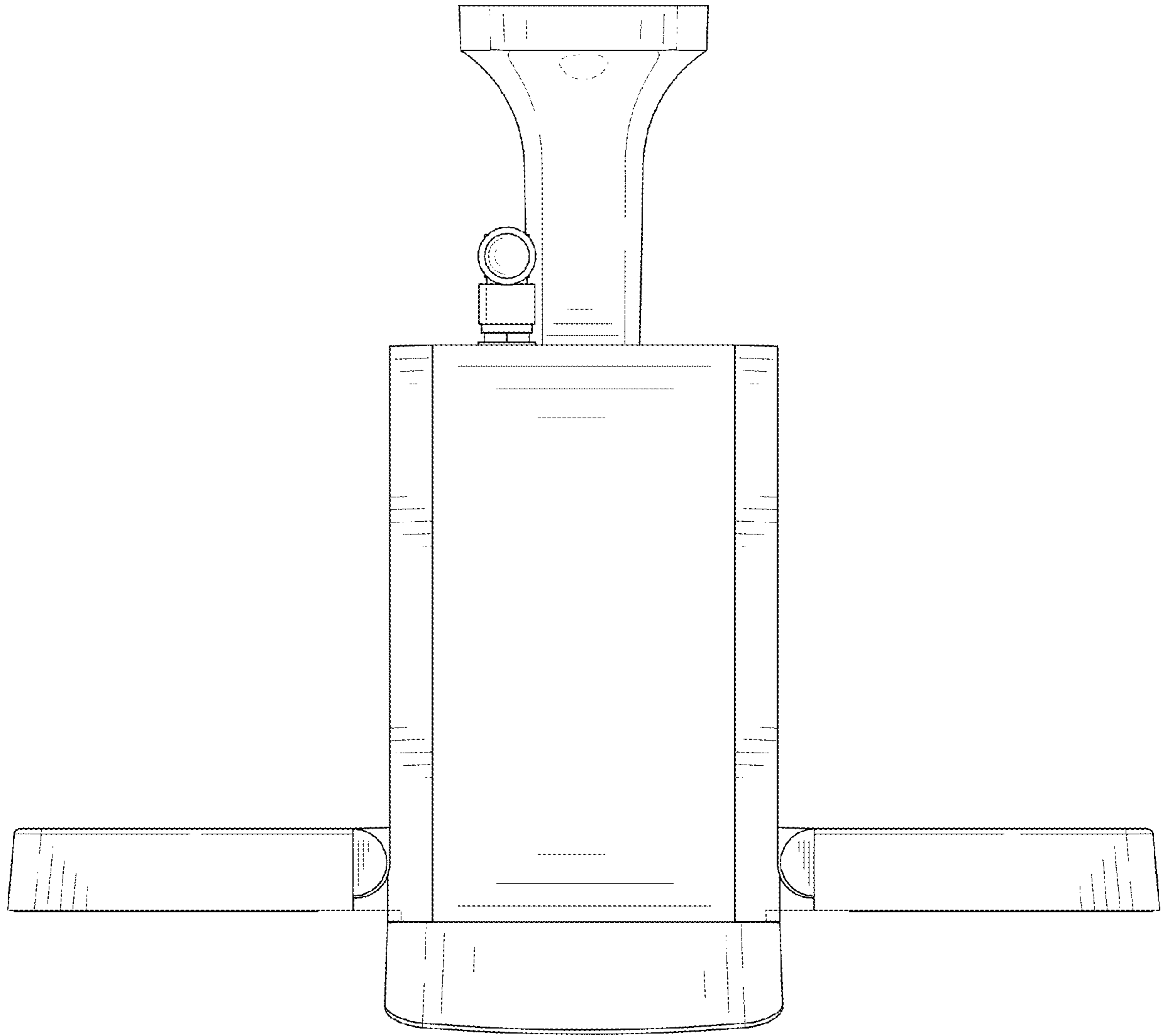


FIG. 7

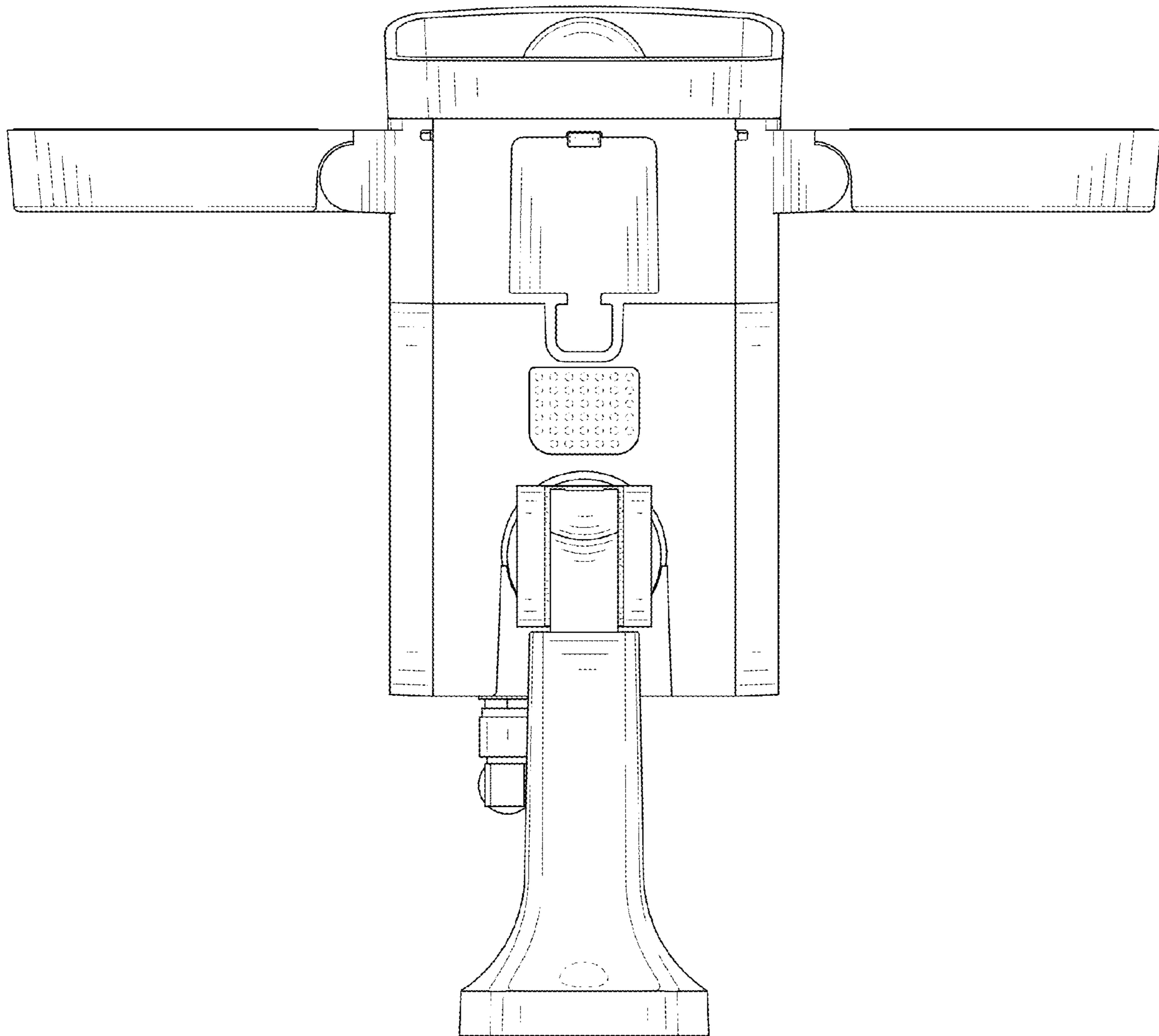


FIG. 8

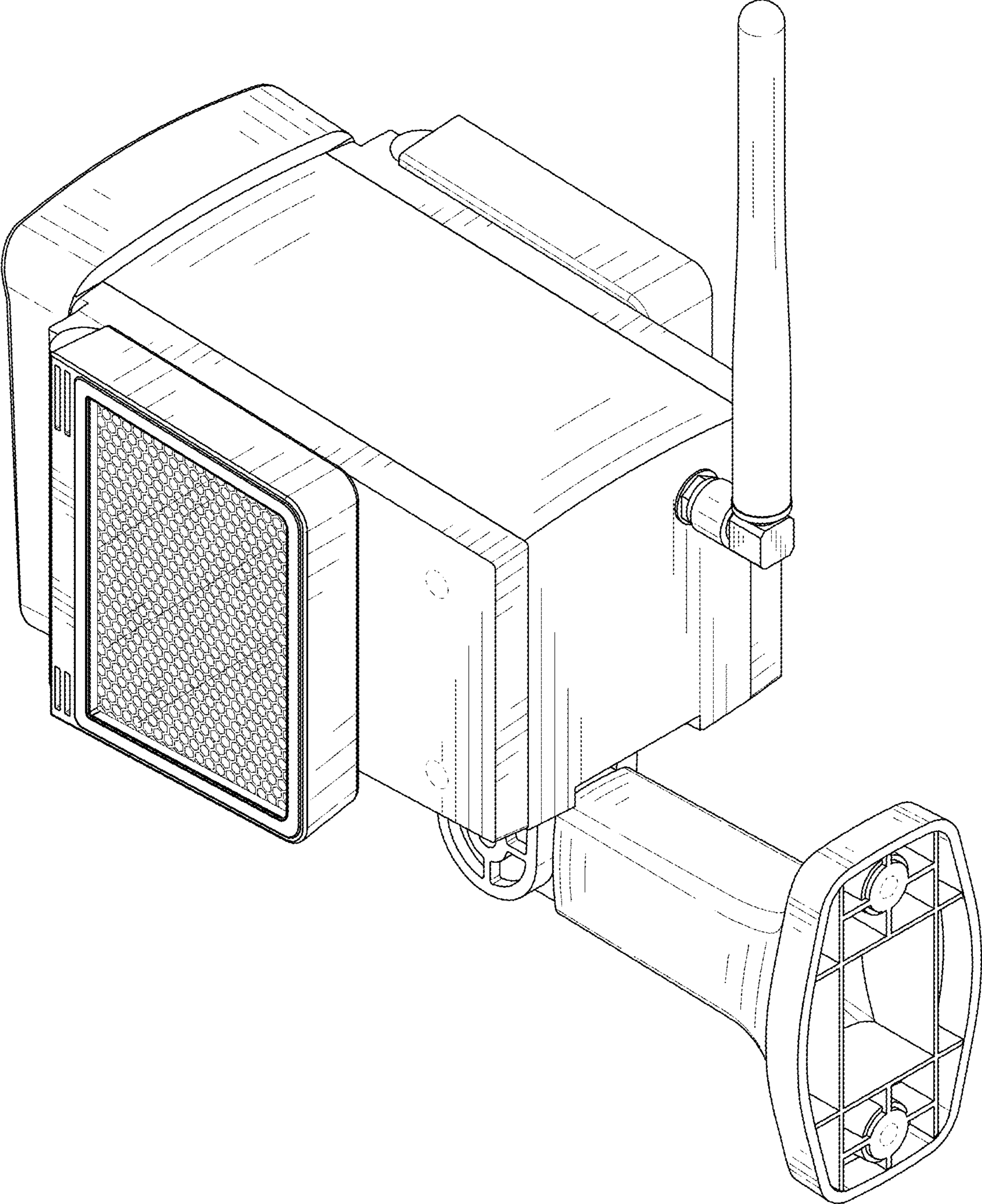


FIG. 9

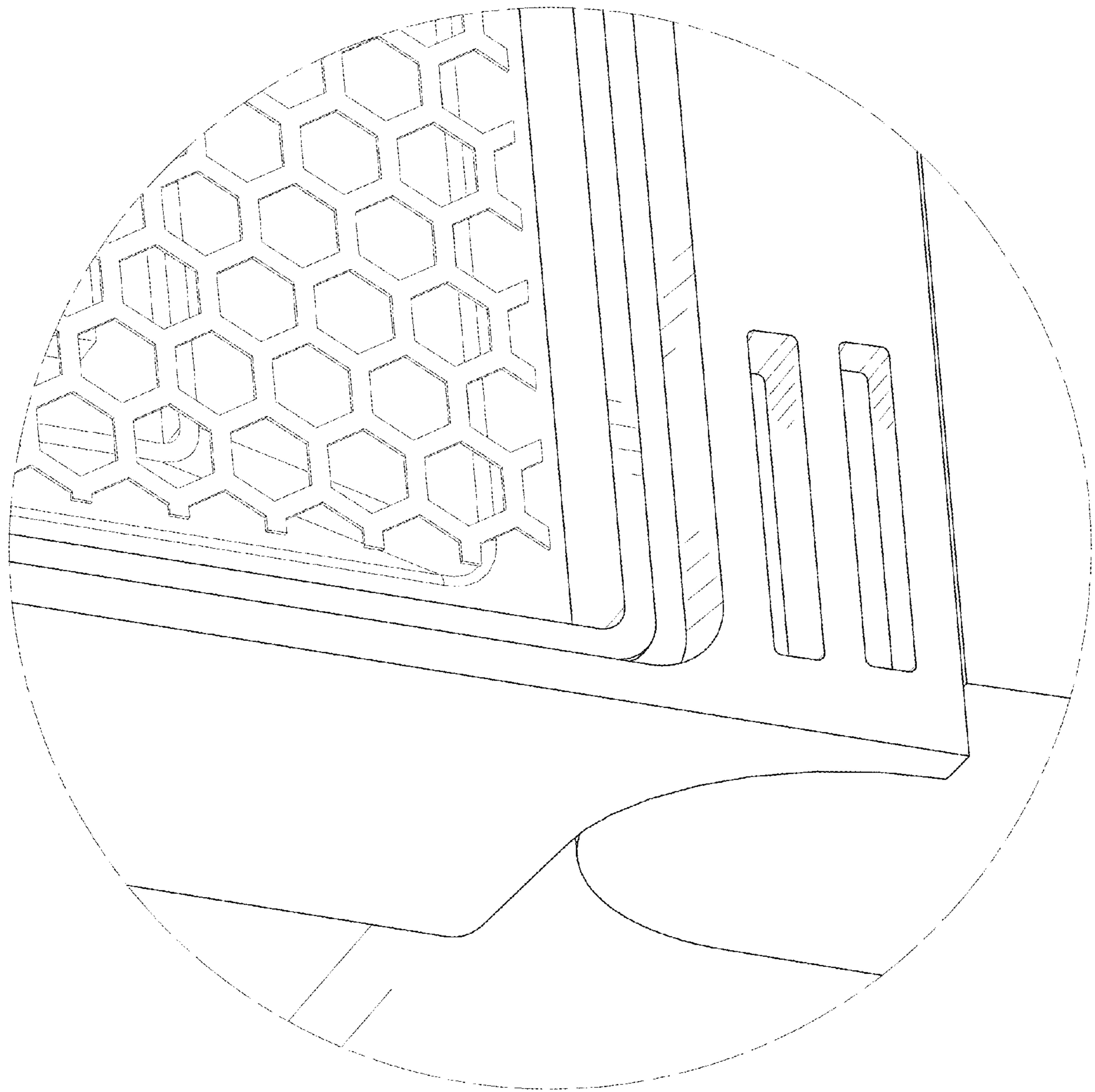


FIG. 10